

US00D767390S

(12) **United States Design Patent** (10) **Patent No.:** **US D767,390 S**  
**Miksovsky et al.** (45) **Date of Patent:** **\*\* Sep. 27, 2016**

(54) **CAP-ON CAP CONTAINER LID**

(71) Applicant: **humangear, Inc.**, San Francisco, CA (US)

(72) Inventors: **Christopher A. Miksovsky**, San Francisco, CA (US); **Christopher Loew**, Palo Alto, CA (US); **Scott Cook**, Oakland, CA (US)

(73) Assignee: **humangear, Inc.**, San Francisco, CA (US)

(\*\*) Term: **15 Years**

(21) Appl. No.: **29/542,405**

(22) Filed: **Oct. 14, 2015**

(51) **LOC (10) Cl.** ..... **09-07**

(52) **U.S. Cl.**  
 USPC ..... **D9/446**; D9/435; D9/447; D9/449; D7/392.1; D7/396.2

(58) **Field of Classification Search**  
 USPC ..... D3/202, 203.1, 203.2, 318, 273, 275, D3/294; D7/300, 300.1, 216, 317, 387, D7/391, 393, 396.2, 509, 510, 511, 523, D7/525-531, 538, 541, 549, 629, 703, D7/900; D9/434, 435, 436, 438, 439, 440, D9/443, 445, 446, 447, 448, 449, 450, 452, D9/453, 454, 503, 504, 516, 517, 529; D19/70, 71, 115, 93, 162, 163, 165, D19/192, 194; D26/36, 123, 124; D24/121, D24/127, 299, 224; D28/7, 76, 78, 82, 85, D28/91; D34/1, 7, 10, 11, 29; 206/216, 219, 206/541, 222, 221, 220; 215/306, 305, 228, 215/200; 220/212.5, 200; 222/81, 83, 556, 222/533, 519, 205, 192, 158, 153.01  
 CPC ..... B65D 50/041; B65D 23/00; B65D 1/00; B65D 1/02; B65D 1/0223; B65D 83/06; B65D 47/14; A47G 18/22; A47G 18/23  
 See application file for complete search history.

(56) **References Cited**

U.S. PATENT DOCUMENTS

|               |        |            |                       |
|---------------|--------|------------|-----------------------|
| 1,924,242 A * | 8/1933 | Kaye ..... | B65D 55/16<br>215/306 |
| 2,155,329 A   | 4/1939 | Perdue     |                       |
| D174,205 S    | 3/1955 | Ward       |                       |
| D185,179 S    | 5/1959 | Tupper     |                       |
| D193,121 S    | 6/1962 | Wickman    |                       |

(Continued)

OTHER PUBLICATIONS

Cap Cap: Site visited Jul. 20, 2016. Available from Internet URL: [http://www.humangear.com/gear/capcap.\\*](http://www.humangear.com/gear/capcap.*)

(Continued)

*Primary Examiner* — Thomas Johannes  
*Assistant Examiner* — Catherine Posthauer  
 (74) *Attorney, Agent, or Firm* — Beyer Law Group LLP

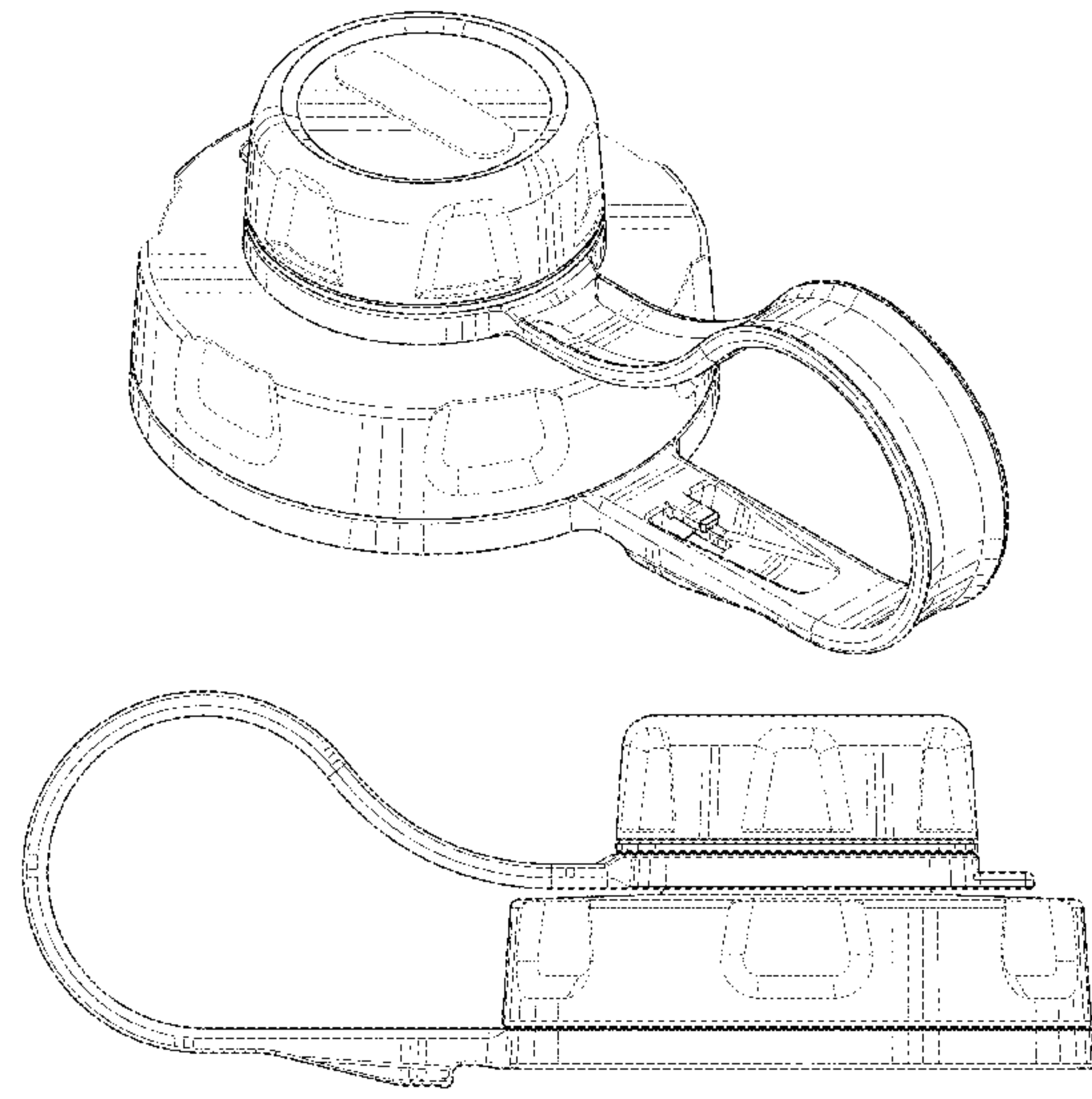
(57) **CLAIM**  
 We claim an ornamental design for a cap-on-cap container lid, substantially as shown and described.

**DESCRIPTION**

FIG. 1 is a perspective view of a cap-on-cap container lid showing our new design;  
 FIG. 2 is a right side view thereof;  
 FIG. 3 is a left side view thereof;  
 FIG. 4 is a front view thereof;  
 FIG. 5 is a back view thereof;  
 FIG. 6 is a top view thereof;  
 FIG. 7 is a bottom view thereof; and,  
 FIG. 8 is a perspective view thereof, in an open usage configuration.

The broken lines are shown for the purpose of illustrating parts of the article that form no part of the claim.

**1 Claim, 8 Drawing Sheets**



(56)

References Cited

U.S. PATENT DOCUMENTS

3,181,725 A 5/1965 Friedl  
 D221,886 S 9/1971 Gruett  
 3,826,394 A \* 7/1974 Stull ..... B65D 50/045  
 215/211  
 D280,802 S 10/1985 Cho  
 5,462,185 A \* 10/1995 Walker, III ..... B65D 47/147  
 215/307  
 D364,810 S \* 12/1995 Meisner ..... D9/446  
 D425,362 S \* 5/2000 Meyers ..... D7/392  
 6,478,180 B1 11/2002 Dehn  
 D475,923 S \* 6/2003 Renz ..... D9/446  
 D478,005 S 8/2003 Sali  
 D528,910 S \* 9/2006 Kingsley ..... D7/392.1  
 D530,200 S 10/2006 Kingsley  
 D569,458 S 5/2008 Nelson et al.  
 D572,078 S \* 7/2008 Bhavnani ..... D7/392.1  
 D587,569 S 3/2009 Eveleth  
 D605,942 S \* 12/2009 Miksovsky ..... D9/446  
 D630,511 S \* 1/2011 Stull, Sr. .... D9/447  
 D632,521 S \* 2/2011 Wahl ..... D7/392.1  
 D634,972 S \* 3/2011 Staton ..... D7/392.1  
 D650,629 S \* 12/2011 Gilbert ..... D7/392.1  
 D651,044 S \* 12/2011 Gilbert ..... D7/510  
 D658,446 S \* 5/2012 George ..... D7/511  
 D674,277 S \* 1/2013 Hanson ..... D9/446

D678,767 S \* 3/2013 Haley ..... D9/440  
 D680,805 S \* 4/2013 Rosbach ..... D7/392.1  
 8,752,720 B1 \* 6/2014 Habig ..... B65D 55/16  
 215/306  
 D714,584 S \* 10/2014 Boroski ..... D7/392  
 D741,176 S \* 10/2015 Bell ..... D9/446  
 D750,490 S \* 3/2016 Moore ..... D9/446  
 D755,562 S \* 5/2016 Lindsay ..... D7/392.1  
 2005/0184026 A1 \* 8/2005 Haley ..... B65D 47/06  
 215/306  
 2006/0124579 A1 \* 6/2006 Nielson ..... B65D 23/104  
 215/396  
 2008/0087624 A1 \* 4/2008 Buckley ..... A47G 23/16  
 215/230  
 2009/0236341 A1 9/2009 McKinney

OTHER PUBLICATIONS

Images of an Evive Station Water Bottle and Cap, prior to 2015.  
 Camelbak, "Chute" Water Bottle, [http://shop.camelbak.com/chute-insulated-61/d/1370\\_c1\\_5985](http://shop.camelbak.com/chute-insulated-61/d/1370_c1_5985), prior to 2016.  
 Camelback "Chute" Cap, [http://shop.camelbak.com/chute-cap/d/1326\\_c1\\_5343](http://shop.camelbak.com/chute-cap/d/1326_c1_5343), prior to 2016.  
 Miksovsky et al, Design U.S. Appl. No. 29/542,404, filed Oct. 14, 2015.  
 Miksovsky et al, Design U.S. Appl. No. 29/542,403, filed Oct. 14, 2015.

\* cited by examiner





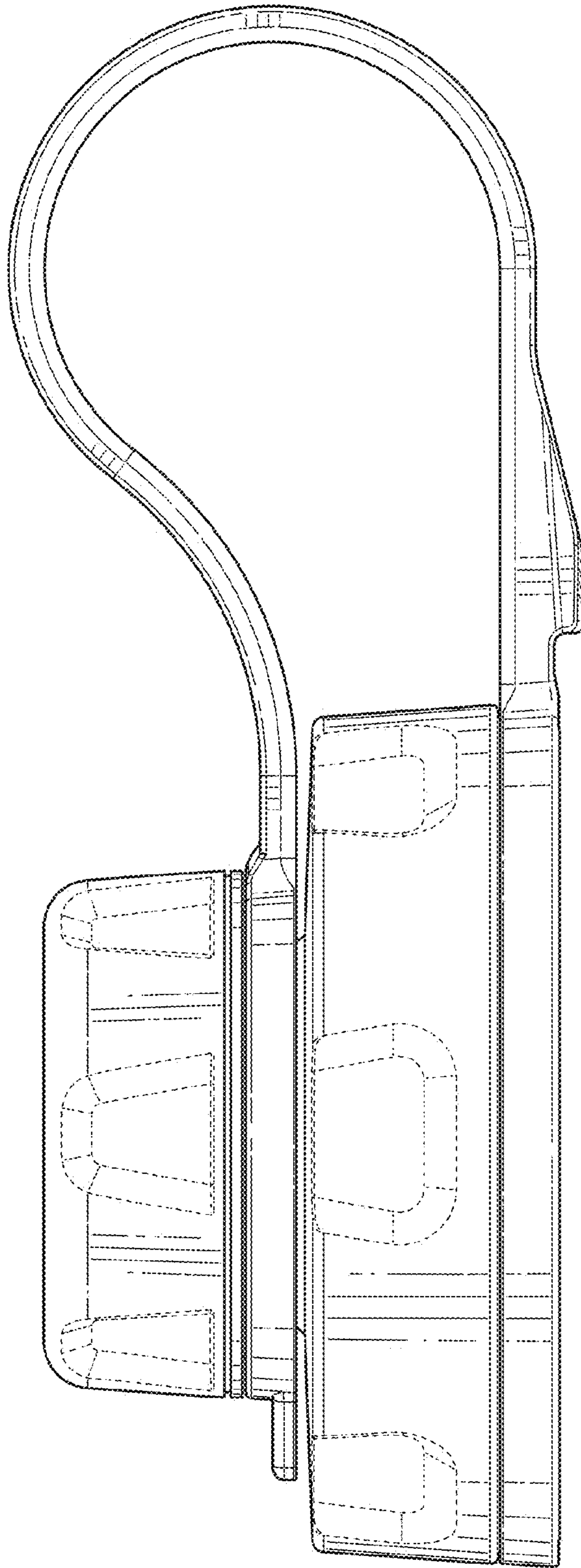


FIG. 2

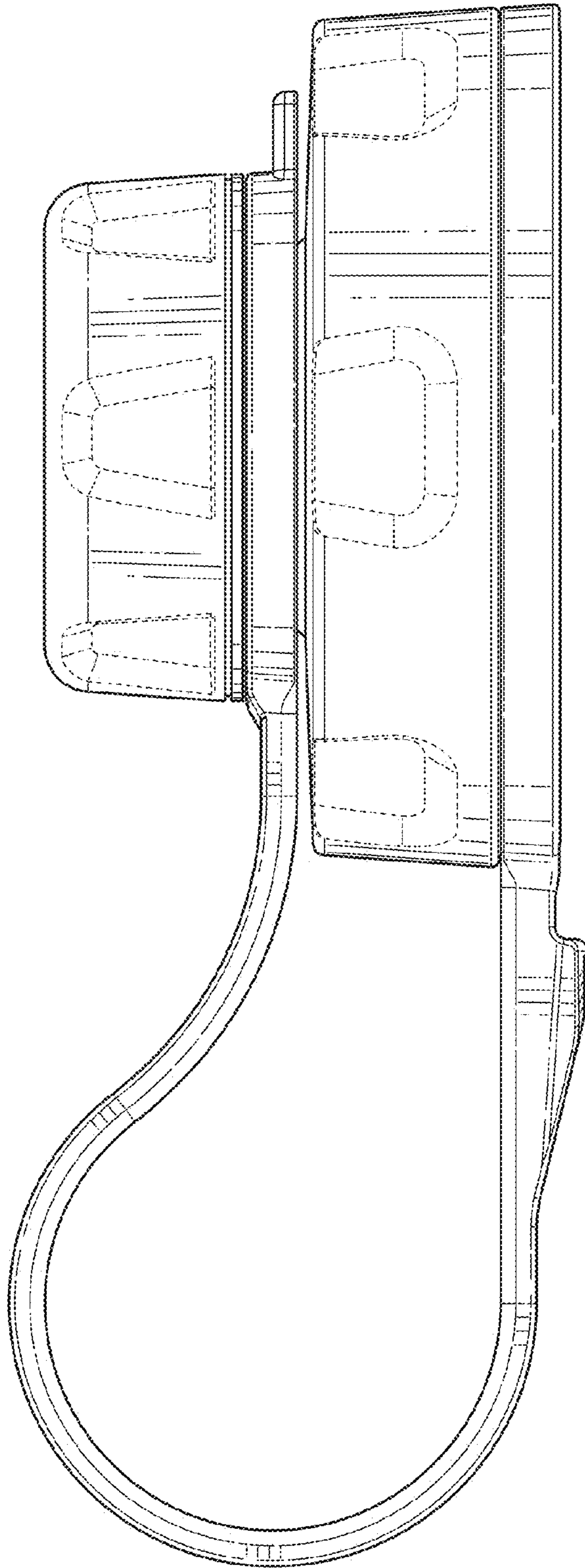


FIG. 3

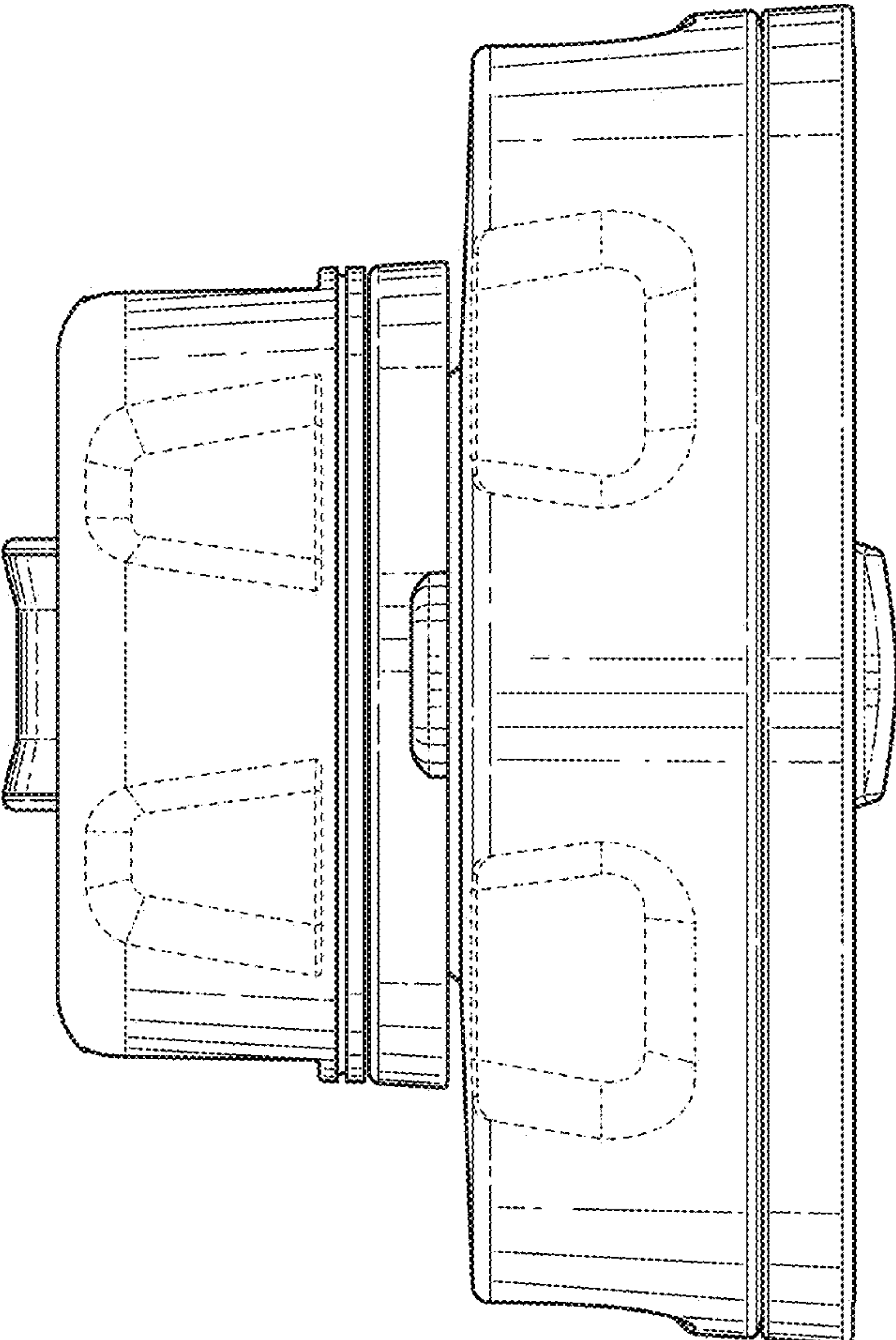


FIG. 4

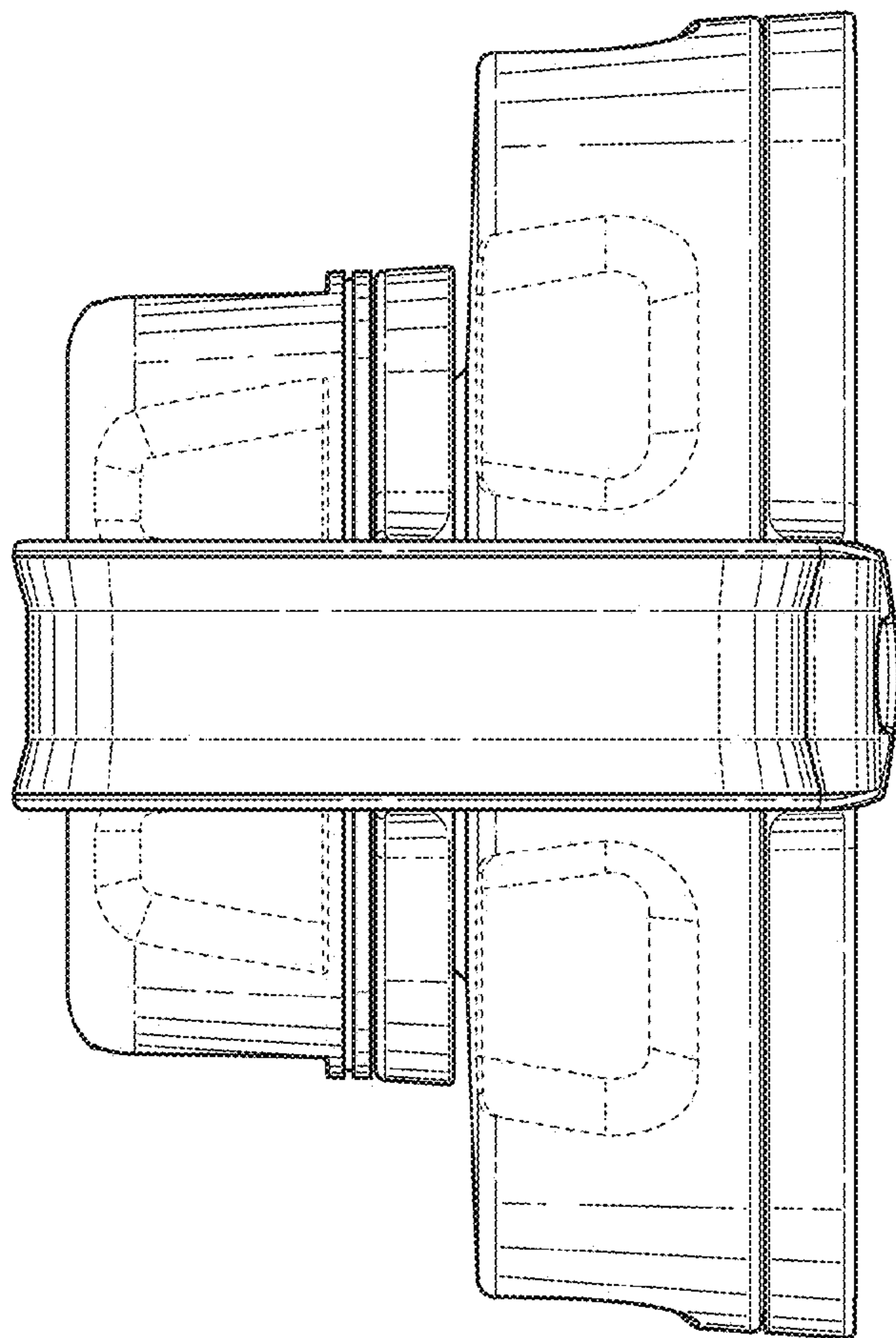


FIG. 5

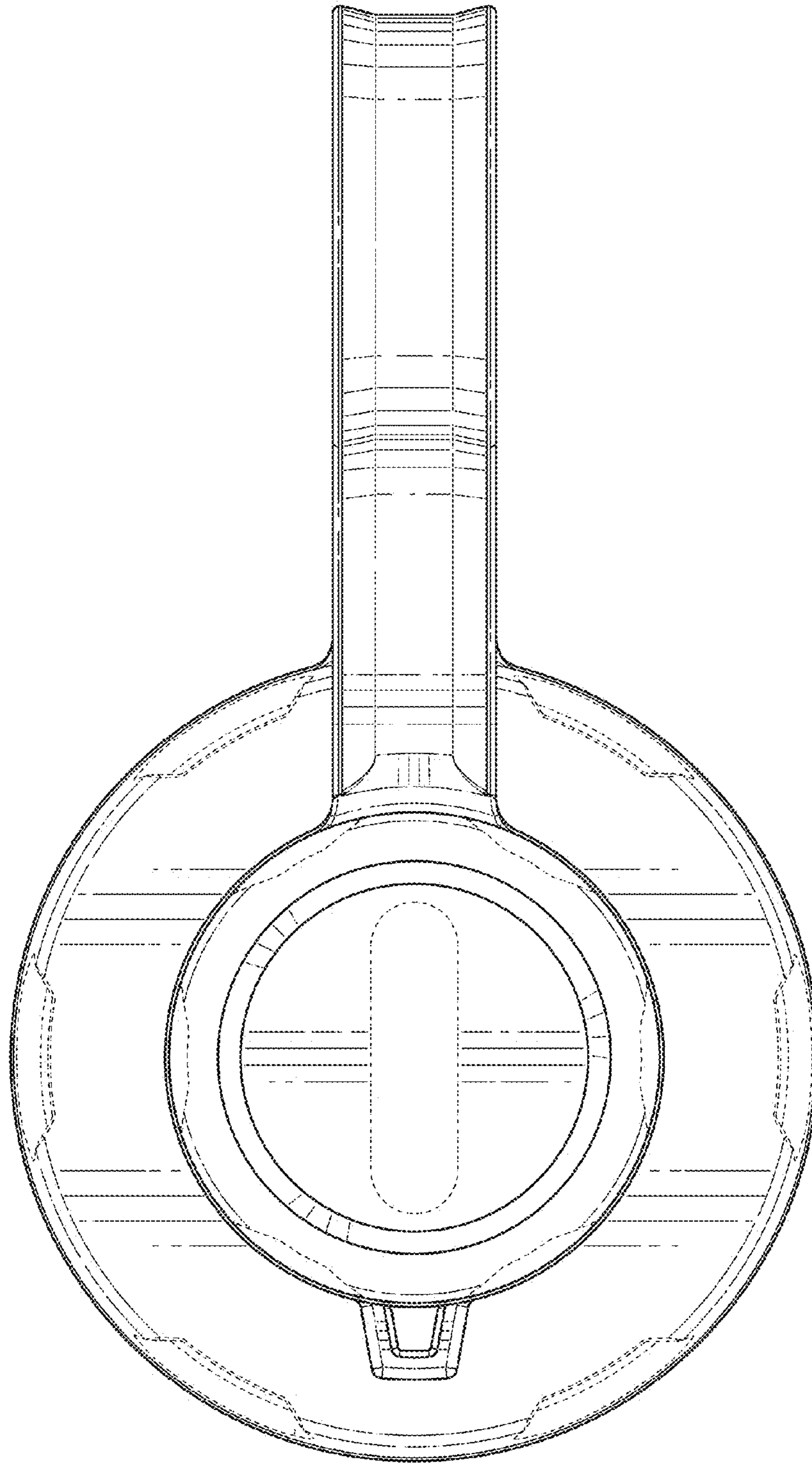


FIG. 6



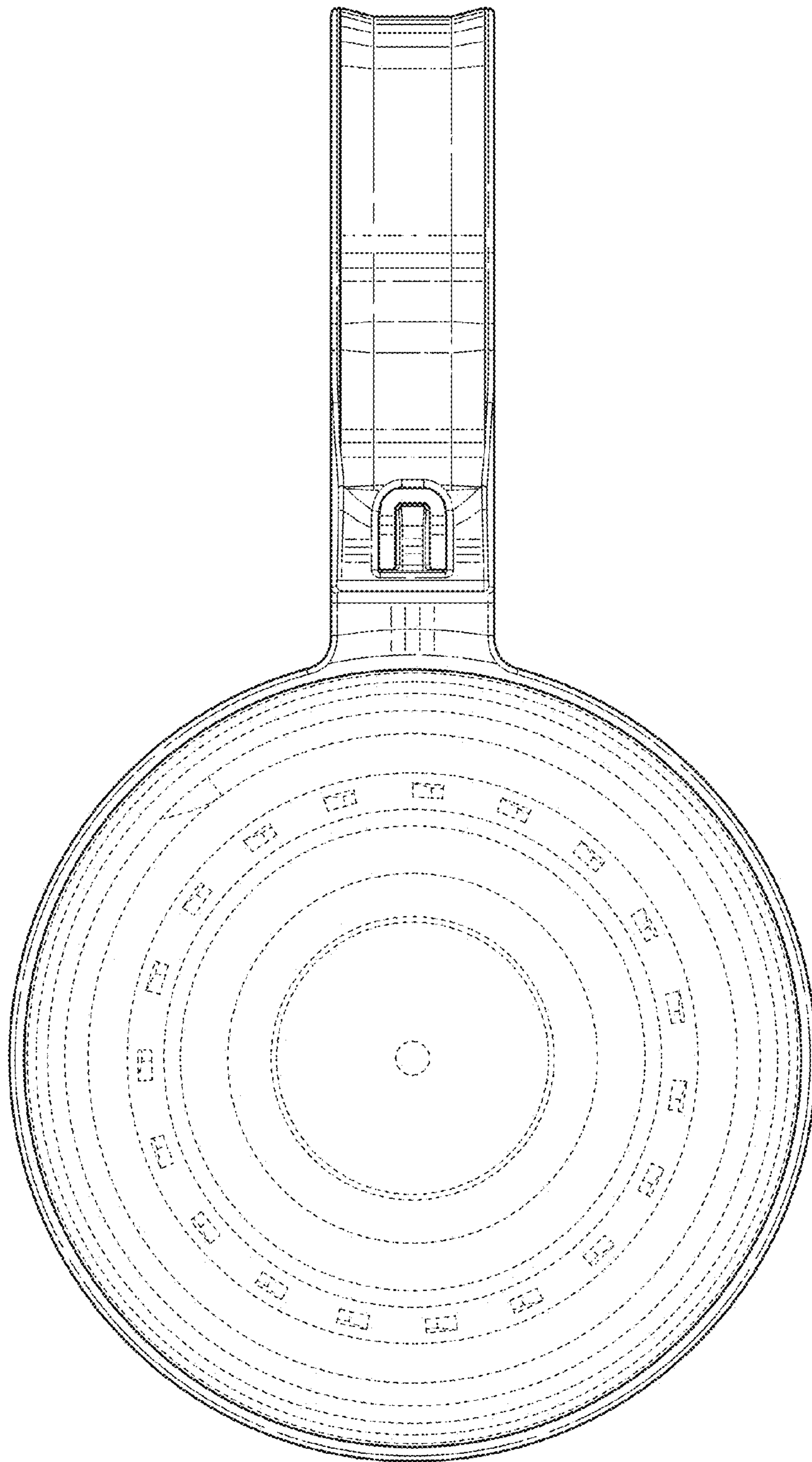


FIG. 7

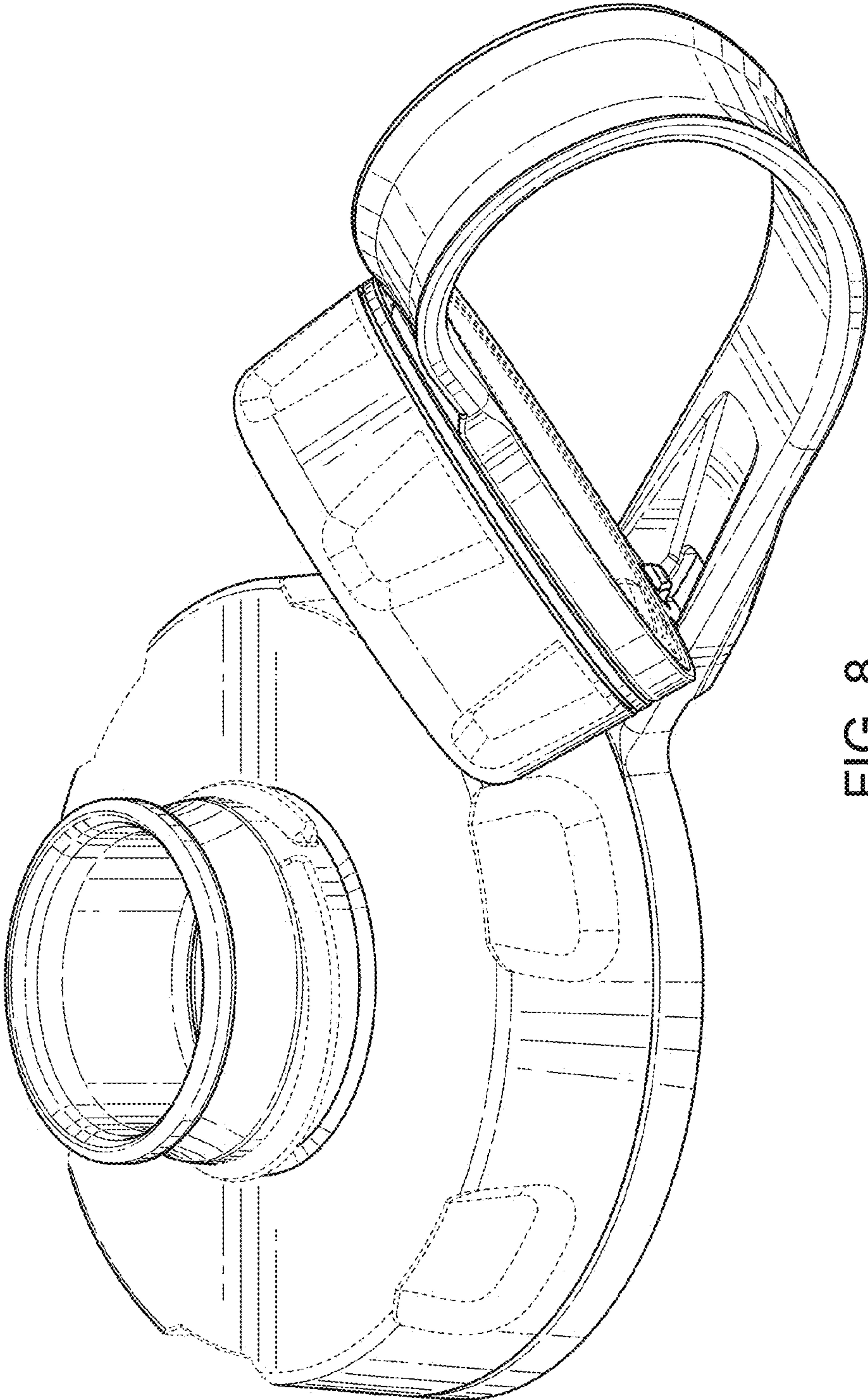


FIG. 8