

US00D767387S

(12) **United States Design Patent**
Wyatt et al.

(10) **Patent No.:** **US D767,387 S**
(45) **Date of Patent:** **** Sep. 27, 2016**

- (54) **LID FOR CONTAINER**
- (71) Applicants: **Aubrey Bailey Morgan Wyatt**, Toronto (CA); **Thomas Jonathan Jackson Wyatt**, Toronto (CA)
- (72) Inventors: **Aubrey Bailey Morgan Wyatt**, Toronto (CA); **Thomas Jonathan Jackson Wyatt**, Toronto (CA)

(**) Term: **14 Years**

(21) Appl. No.: **29/517,460**

(22) Filed: **Feb. 12, 2015**

(51) **LOC (10) Cl.** **09-07**

(52) **U.S. Cl.**
USPC **D9/443**; D34/7; D34/10; D9/434;
D9/435; D9/454; D9/529

(58) **Field of Classification Search**
USPC D3/202; D7/392.1, 396.2, 397, 398;
D9/434, 435, 447, 448, 449, 450, 453,
D9/529, 560, 738; D23/261, 260; D26/24,
D26/36; D34/7, 10, 39; 215/200, 224, 305,
215/306, 322; 220/260, 375, 780-783,
220/792-794, 796-799, 810, 811; 222/492,
222/494, 521, 700, 703, 711, 713-715, 719
CPC A45J 45/063; A47J 47/02; A47J 47/10;
B65D 43/0212; B65D 43/0218; B65D
43/0208; B65D 7/40; B65D 79/005; B44D
3/127; A47G 19/2211
See application file for complete search history.

(56) **References Cited**

U.S. PATENT DOCUMENTS

- 1,717,538 A * 6/1929 Anderson A47J 45/063
215/305
- 2,765,831 A * 10/1956 Tupper A47J 47/02
220/659

- 4,471,880 A * 9/1984 Taylor B65D 43/0212
220/792
- 4,809,868 A * 3/1989 Pomroy B65D 43/0218
220/260
- D340,181 S * 10/1993 Adams D8/354
- D421,202 S * 2/2000 Demers D7/538
- D423,329 S * 4/2000 Adams D8/354
- D480,600 S * 10/2003 Lillelund D7/392.1

(Continued)

OTHER PUBLICATIONS

Oepmpromo Miniature Trash Can: announced Sep. 20, 2013 [online], site visited [Jan. 4, 2016]. Available from Internet URL: <http://www.oepmpromo.com/product/Trash-Cans/M/Miniature-Trash-Can-236638.htm>.*

Primary Examiner — Sheryl Lane

Assistant Examiner — Catherine Posthauer

(74) *Attorney, Agent, or Firm* — Jonathan M. D'Silva; MMI Intellectual Property

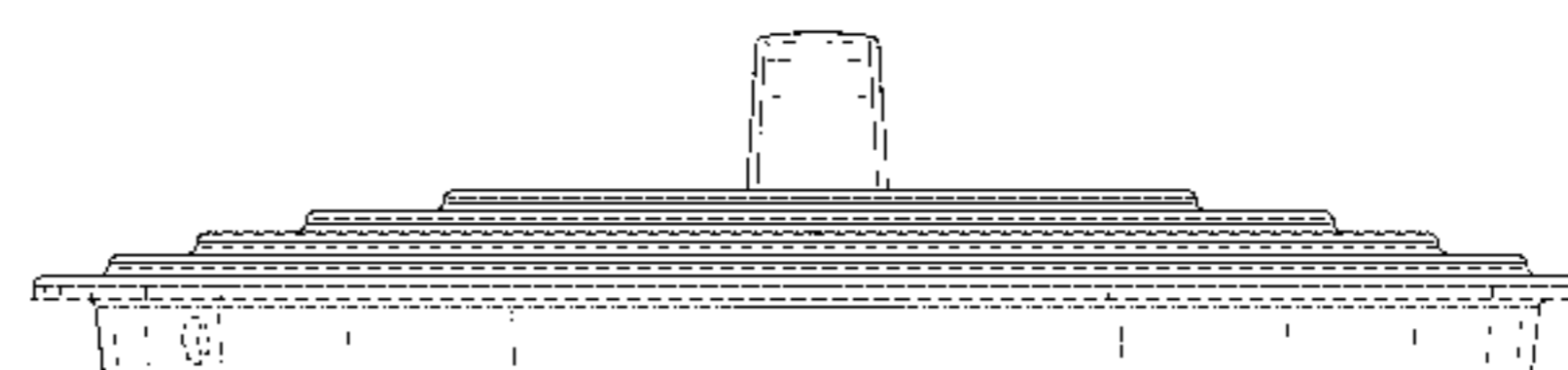
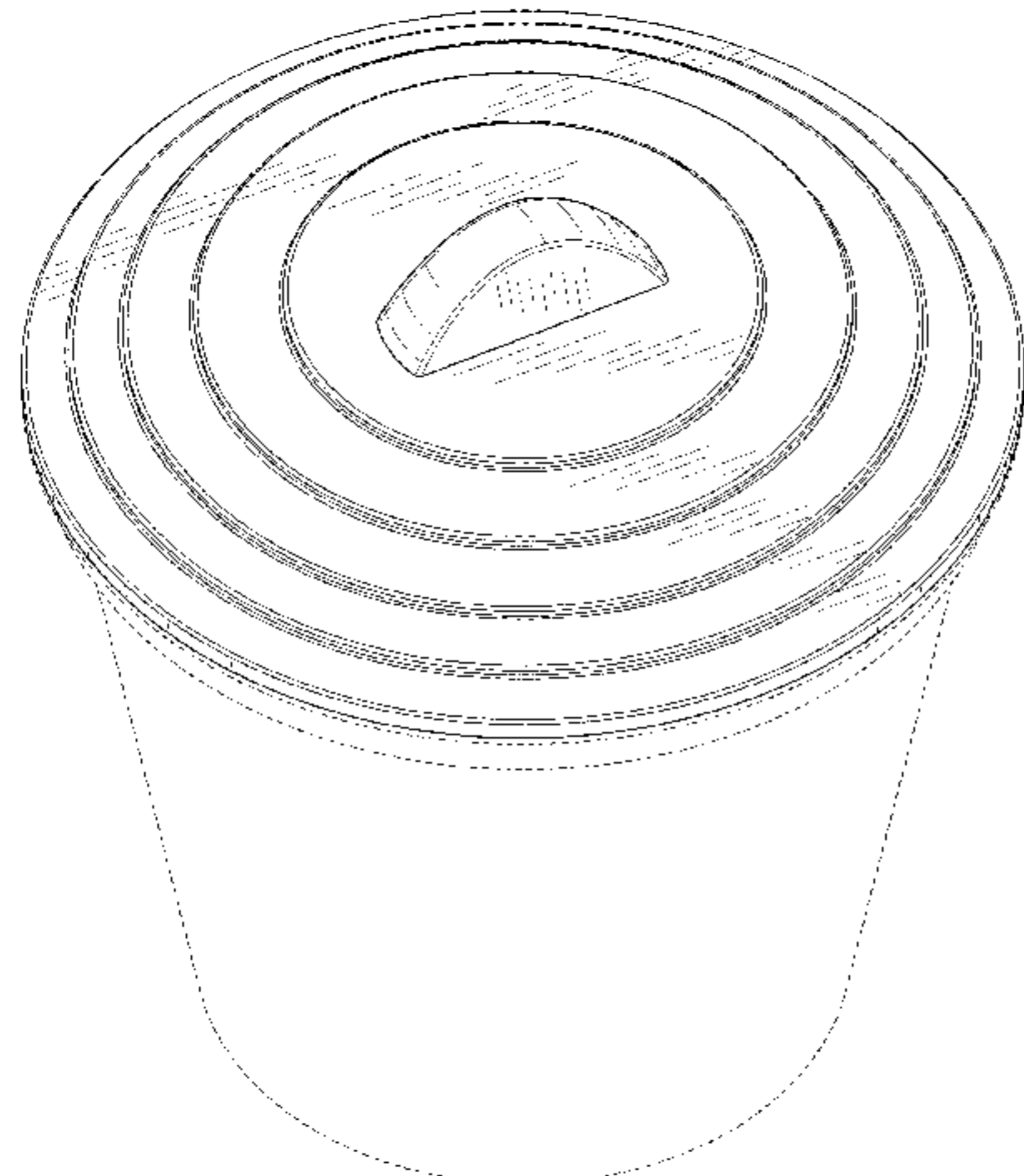
(57) **CLAIM**

The ornamental design for a lid for container, as shown and described.

DESCRIPTION

FIG. 1 is a top perspective view of a lid in an exemplary use; FIG. 2 is a bottom perspective view of the lid of FIG. 1; FIG. 3 is a left side elevation view of the lid of FIG. 1; FIG. 4 is a front side elevation view of the lid of FIG. 1; FIG. 5 is right side elevation view of the lid of FIG. 1; FIG. 6 is a back side elevation view the lid of FIG. 1; FIG. 7 is a top plan view of the lid of FIG. 1; and, FIG. 8 is a bottom plan view of the lid of FIG. 1. The broken lines shown in FIG. 1 represent environmental subject matter that forms no part of the claimed design. The broken lines shown in FIGS. 2, 3, 5, and 6 represent portions of the article that forms no part of the claimed design.

1 Claim, 6 Drawing Sheets



(56)

References Cited

U.S. PATENT DOCUMENTS

D548,423 S * 8/2007 Pomilia D34/39
D550,030 S * 9/2007 Peterson D7/392.1
D641,242 S * 7/2011 Pfarrhofer D9/447
D649,052 S * 11/2011 Mongeon D9/445
2004/0245261 A1* 12/2004 Stanos B65D 43/0208
220/793
2006/0273095 A1* 12/2006 Stalions B65D 7/40
220/780
2007/0045330 A1* 3/2007 McFadyen B44D 3/127
220/793

2007/0228058 A1* 10/2007 Brown B65D 79/005
220/796
2009/0078715 A1* 3/2009 Kim A47J 47/10
220/782
2009/0166369 A1* 7/2009 Savicki B65D 43/0218
220/781
2011/0198364 A1* 8/2011 Chen B65D 43/0206
220/780
2013/0082067 A1* 4/2013 Drogo A47G 19/2211
220/713
2014/0374428 A1* 12/2014 Watson B65D 7/40
220/780

* cited by examiner

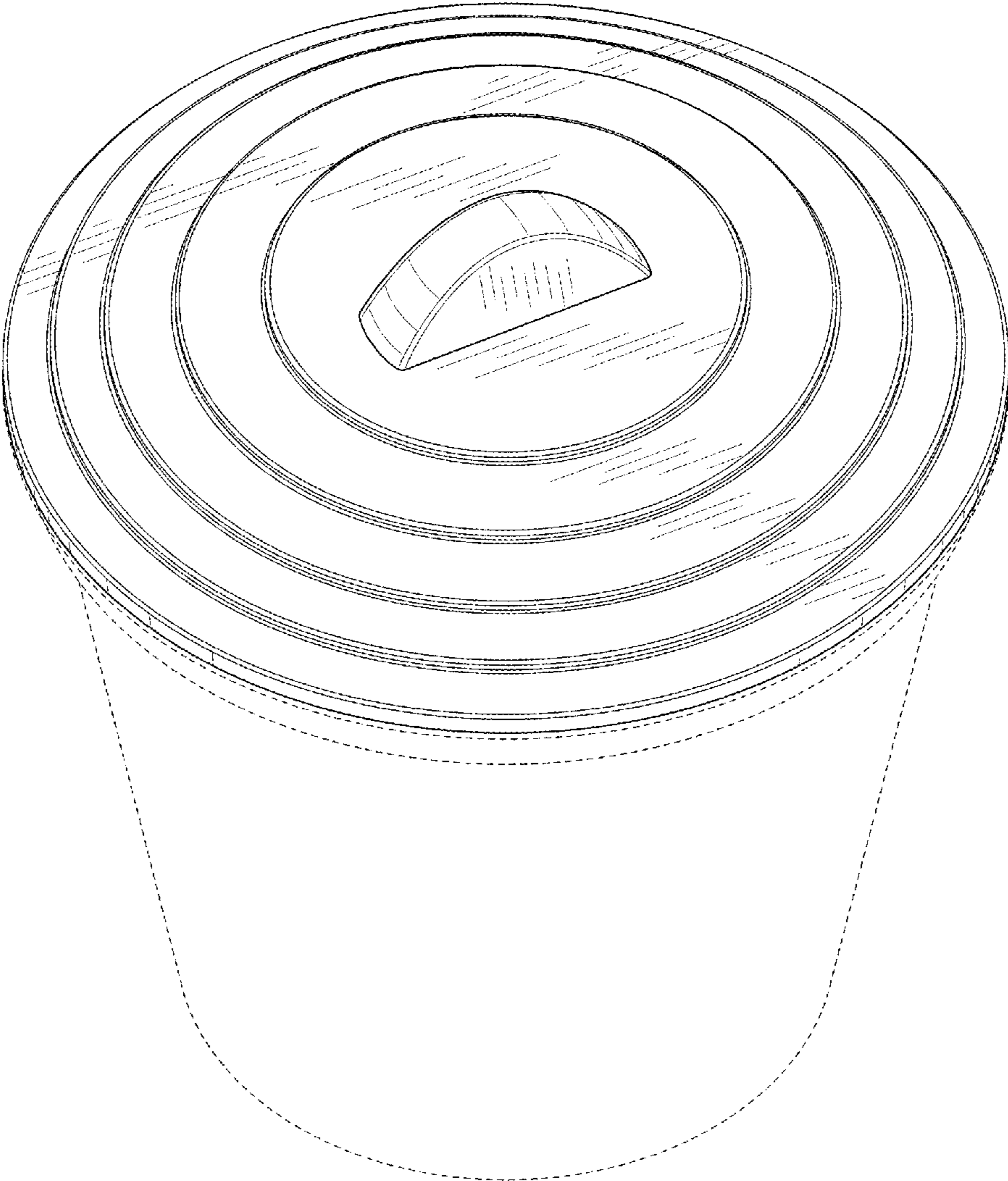


FIG. 1

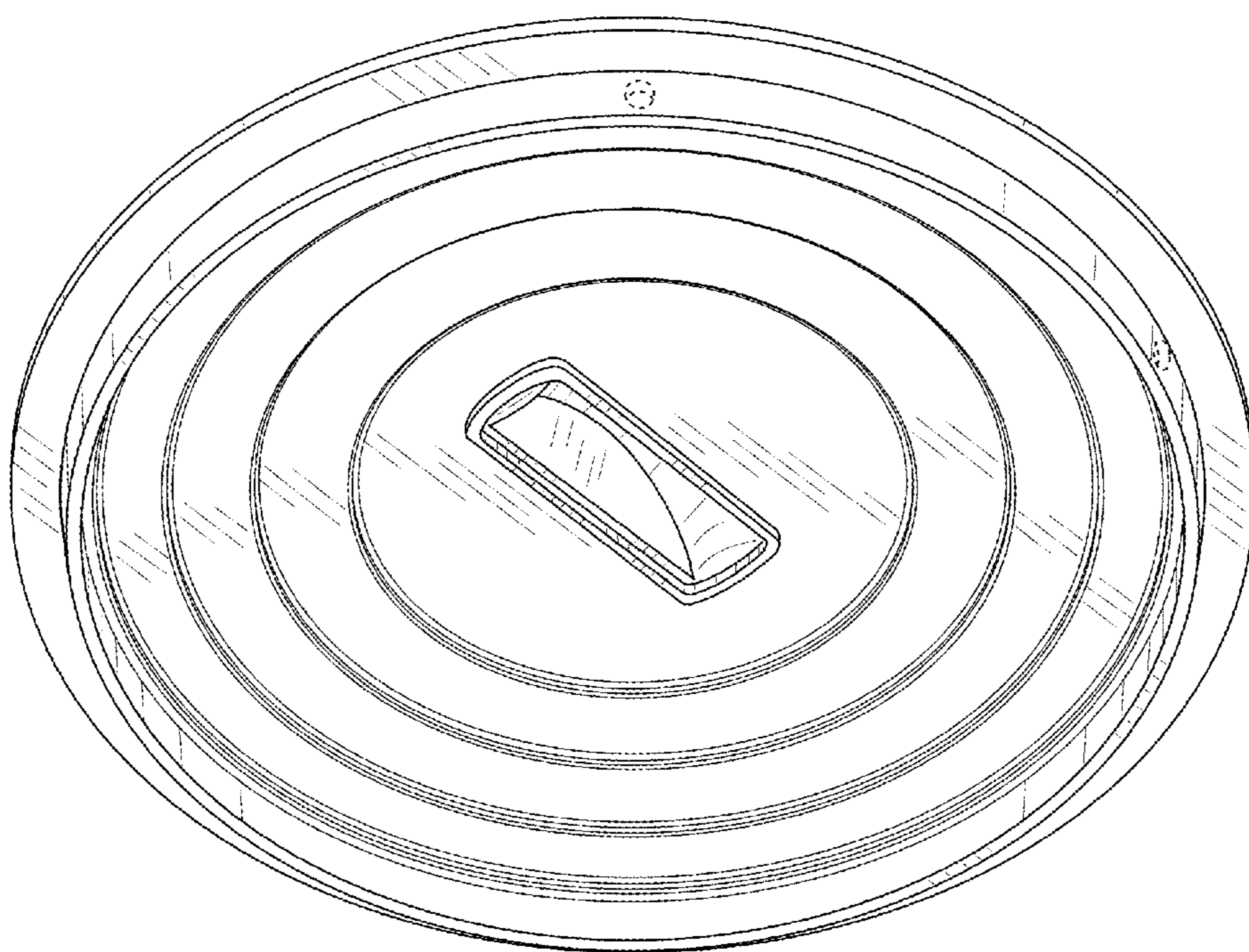


FIG. 2

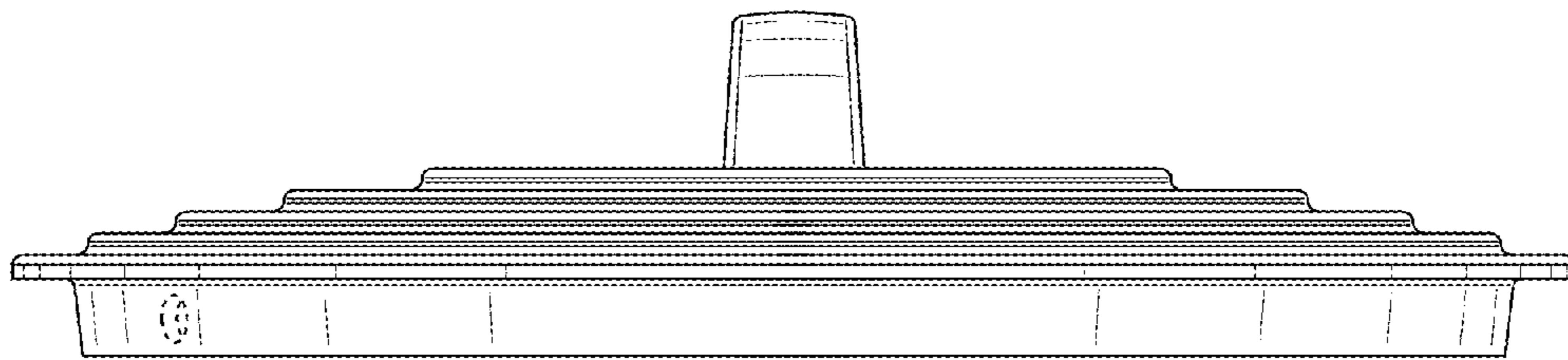


FIG. 3

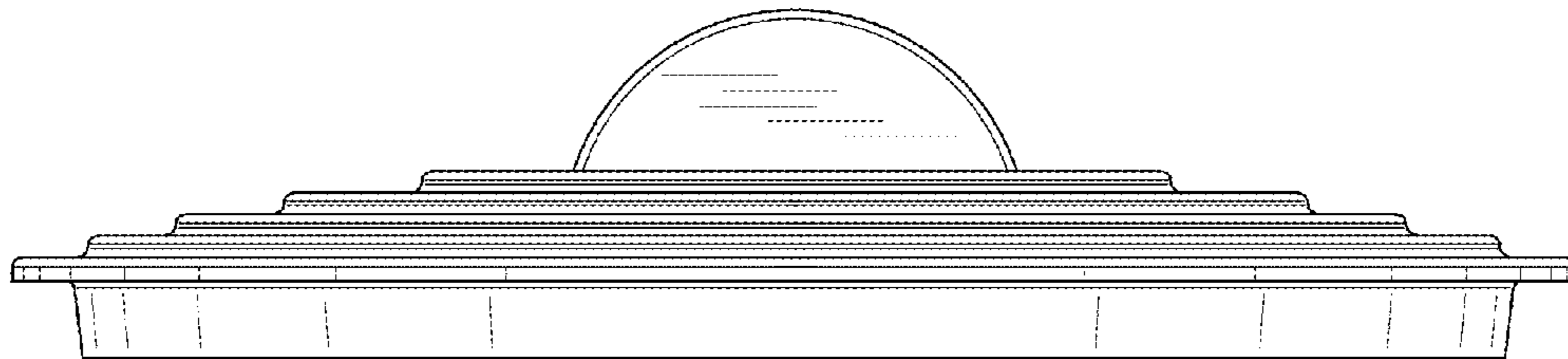


FIG. 4

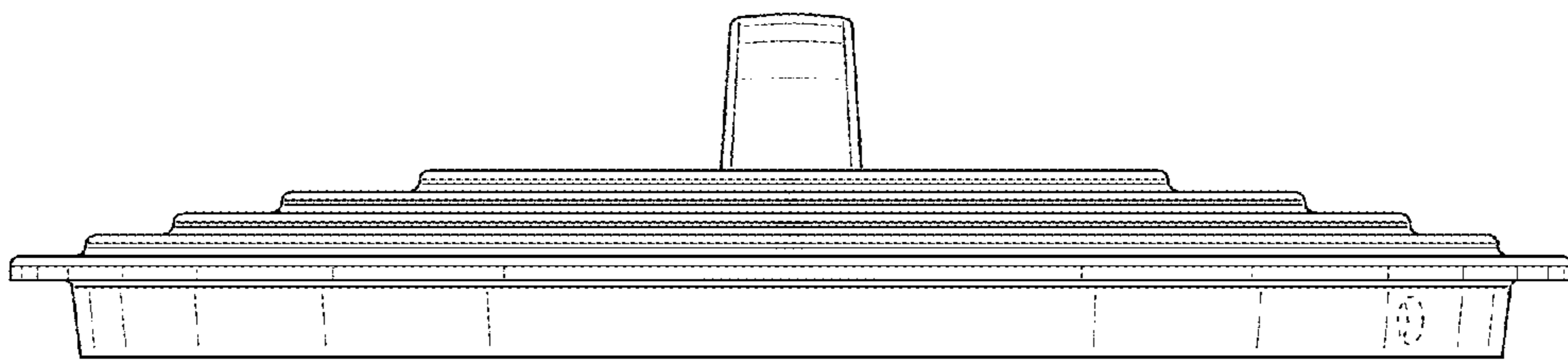


FIG. 5

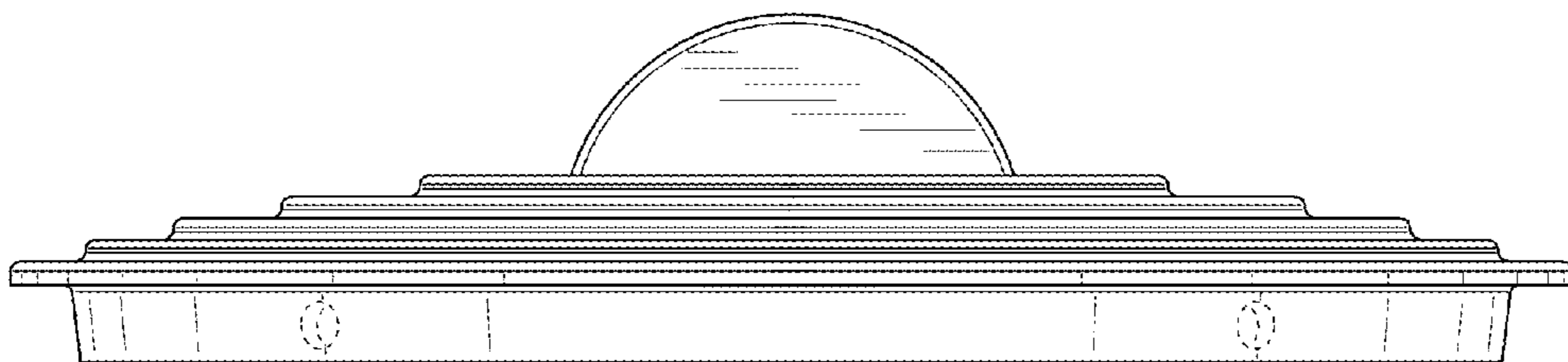


FIG. 6

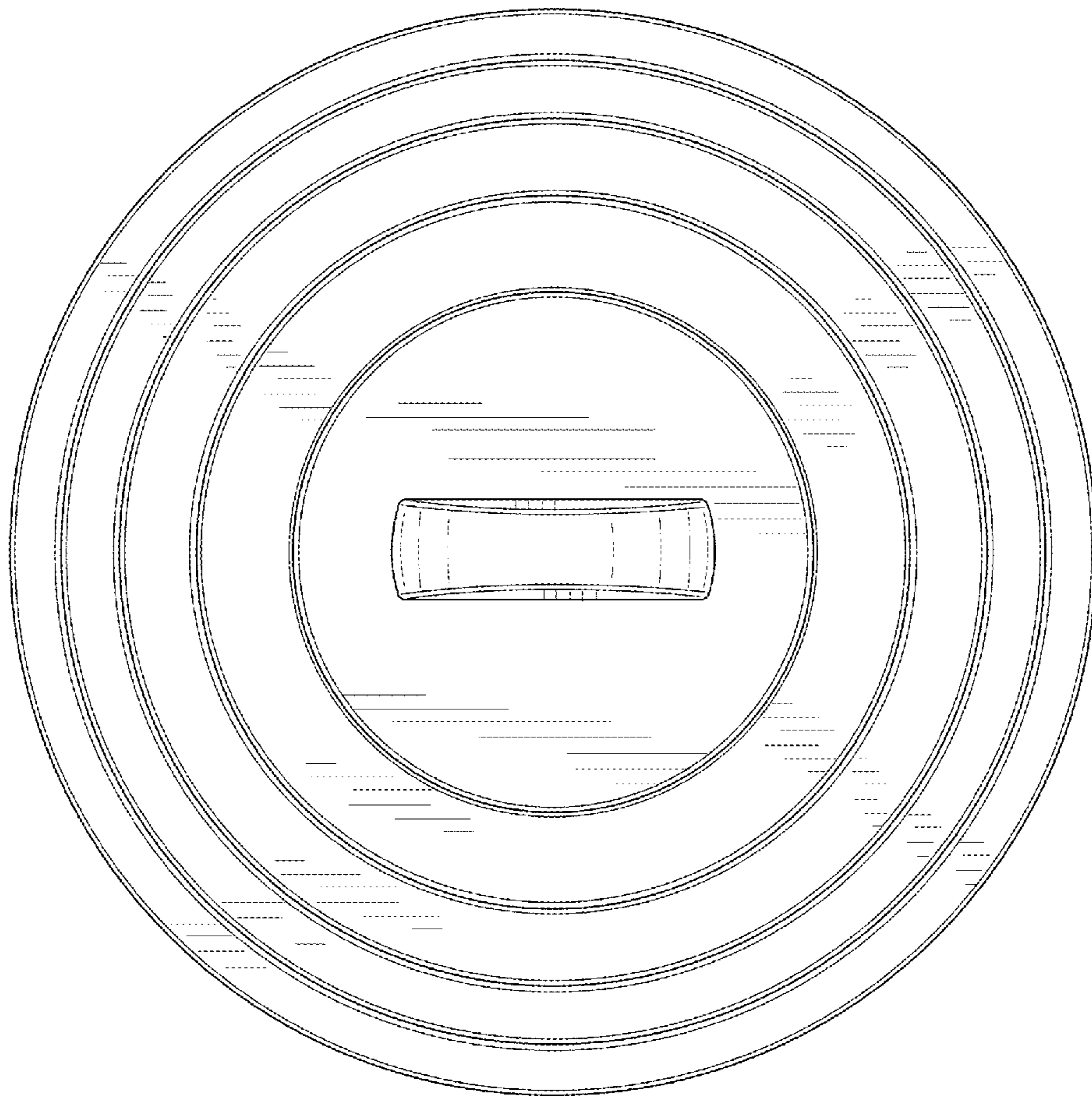


FIG. 7

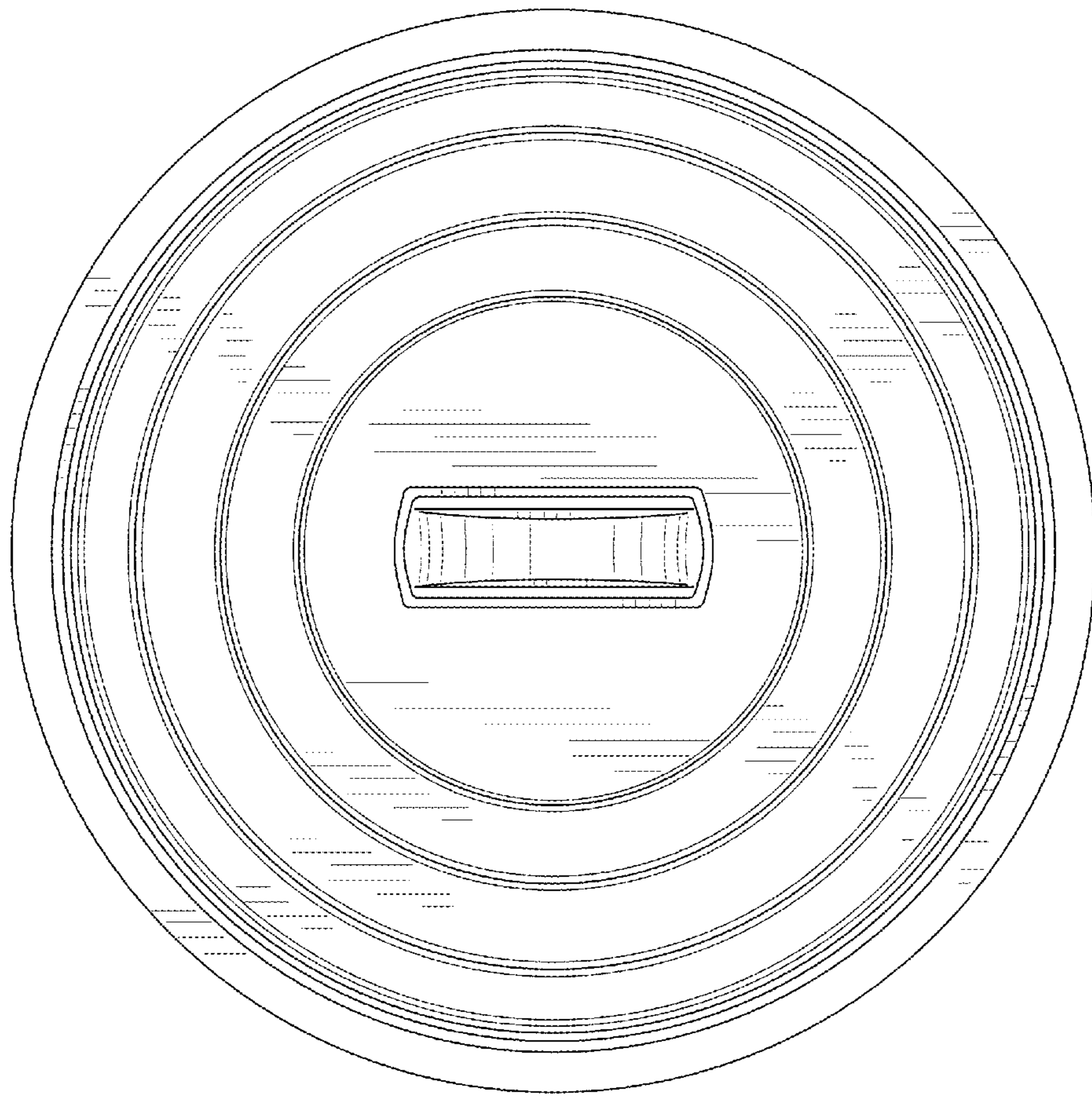


FIG. 8