



US00D767386S

(12) **United States Design Patent**
Escudero Prior

(10) **Patent No.:** **US D767,386 S**

(45) **Date of Patent:** **** Sep. 27, 2016**

- (54) **STOPPER FOR BOTTLES**
- (71) Applicant: **Joaquin Escudero Prior**, San Sebastián (ES)
- (72) Inventor: **Joaquin Escudero Prior**, San Sebastián (ES)
- (**) Term: **14 Years**
- (21) Appl. No.: **29/506,661**
- (22) Filed: **Oct. 17, 2014**
- (51) **LOC (10) Cl.** **09-07**
- (52) **U.S. Cl.**
USPC **D9/440**
- (58) **Field of Classification Search**
USPC D7/300, 300.1, 300.2, 303, 313, 317, D7/602, 387, 509, 510, 511, 538; D9/434, D9/435, 436, 439, 440, 441, 442, 443, 444, D9/445, 446, 447, 448, 449, 450, 451, 452, D9/453, 454, 499; D3/203.2, 202
CPC B65D 41/26; B65D 41/32; B65D 59/06; B65D 47/0814; B65D 47/2031; B65D 51/249; B65D 2251/1066; B65D 41/02; B65D 23/00; B65D 39/08; B67D 3/0032; A47G 19/26; A47G 19/2266; B65F 1/14
See application file for complete search history.

(56) **References Cited**

U.S. PATENT DOCUMENTS

- 2,192,511 A * 3/1940 Thomas B65D 39/16
215/364
- D218,824 S * 9/1970 Lawrence D23/213
- 3,828,968 A * 8/1974 Kask B65D 39/12
138/89
- 3,982,698 A * 9/1976 Anderson B05B 1/1654
239/394
- D355,119 S * 2/1995 Zimmermann D9/440
- D360,137 S * 7/1995 De Baschmakoff D9/545
- D378,059 S * 2/1997 De Baschmakoff D9/544
- D381,914 S * 8/1997 Dinand D9/545
- D387,282 S * 12/1997 De Baschmakoff D9/545

- 6,105,342 A * 8/2000 Hansen A45C 11/005
206/205
- D453,472 S * 2/2002 Kwong D9/447
- D509,433 S * 9/2005 Trayser D9/501
- D613,401 S * 4/2010 Hunter D24/130
- D660,149 S * 5/2012 Grace D9/447
- D720,217 S * 12/2014 Oates D7/398
- D725,470 S * 3/2015 Wilcox D9/448
- D734,150 S * 7/2015 Rigel D9/440
- 2003/0196985 A1 * 10/2003 Wheeler B65D 39/0052
215/277
- 2008/0035599 A1 * 2/2008 Seibel B65D 39/16
215/296
- 2008/0073314 A1 * 3/2008 Condon B65D 51/18
215/364
- 2010/0043917 A1 * 2/2010 Kitchener B65B 31/047
141/65
- 2011/0126939 A1 * 6/2011 Luis B65B 31/047
141/65
- 2014/0131398 A1 * 5/2014 Bardet B65D 47/06
222/567
- 2015/0060390 A1 * 3/2015 Elder B65D 39/16
215/364
- 2015/0293067 A1 * 10/2015 Greene G01N 21/61
356/72

* cited by examiner

Primary Examiner — Robert M Spear

Assistant Examiner — Marissa J Cash

(74) *Attorney, Agent, or Firm* — Hinman, Howard & Kattell, LLP; Mark Levy

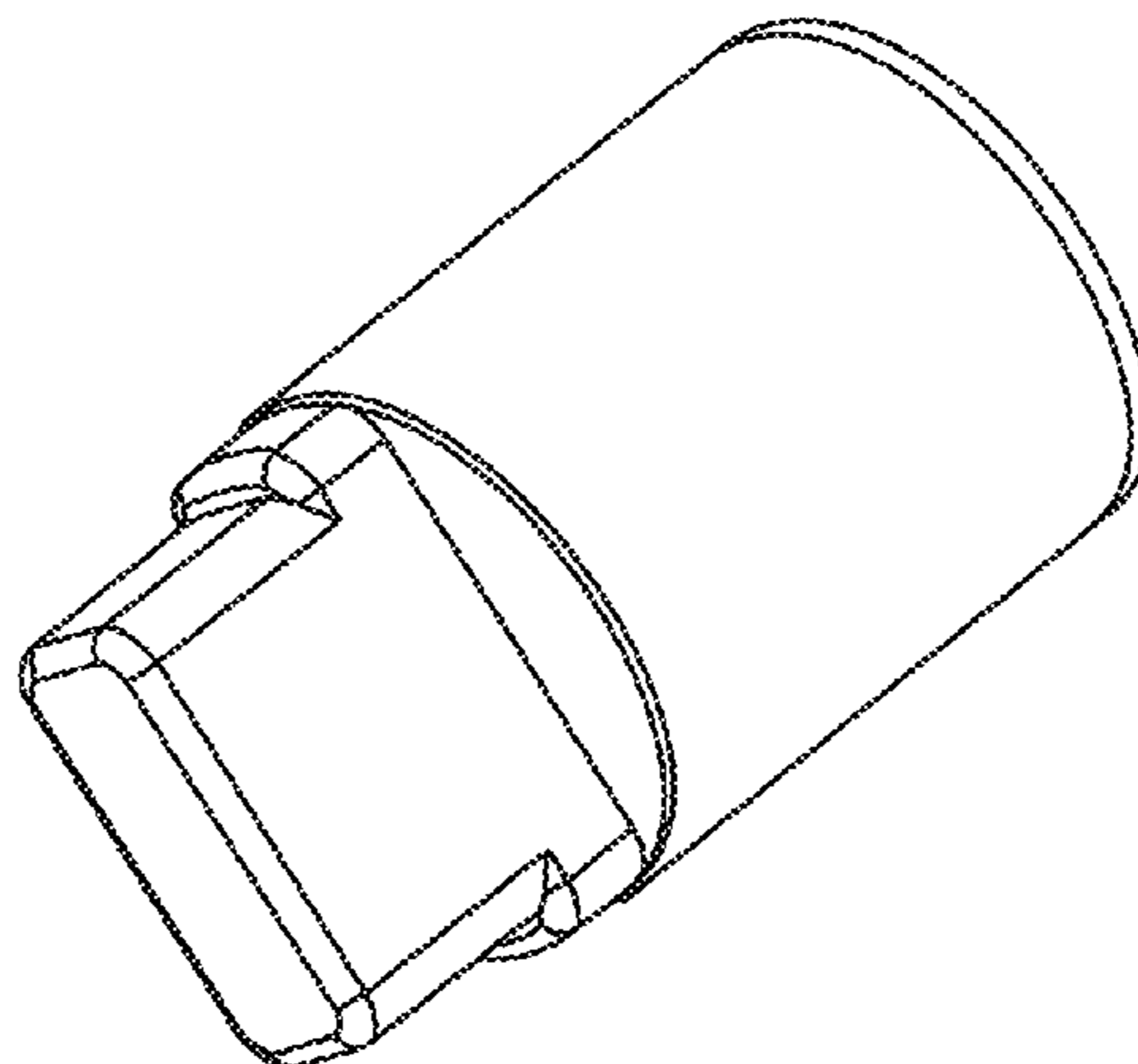
(57) **CLAIM**

We claim the ornamental design for a stopper for bottles, substantially as shown and described.

DESCRIPTION

FIG. 1 is a front view of a stopper for bottles, the rear identical thereto;
 FIG. 2 is a side view of a stopper for bottles, the other side being identical thereto;
 FIG. 3 is a bottom view of the stopper for bottles; and,
 FIG. 4 is an isometric perspective view of the stopper for bottles.

1 Claim, 2 Drawing Sheets



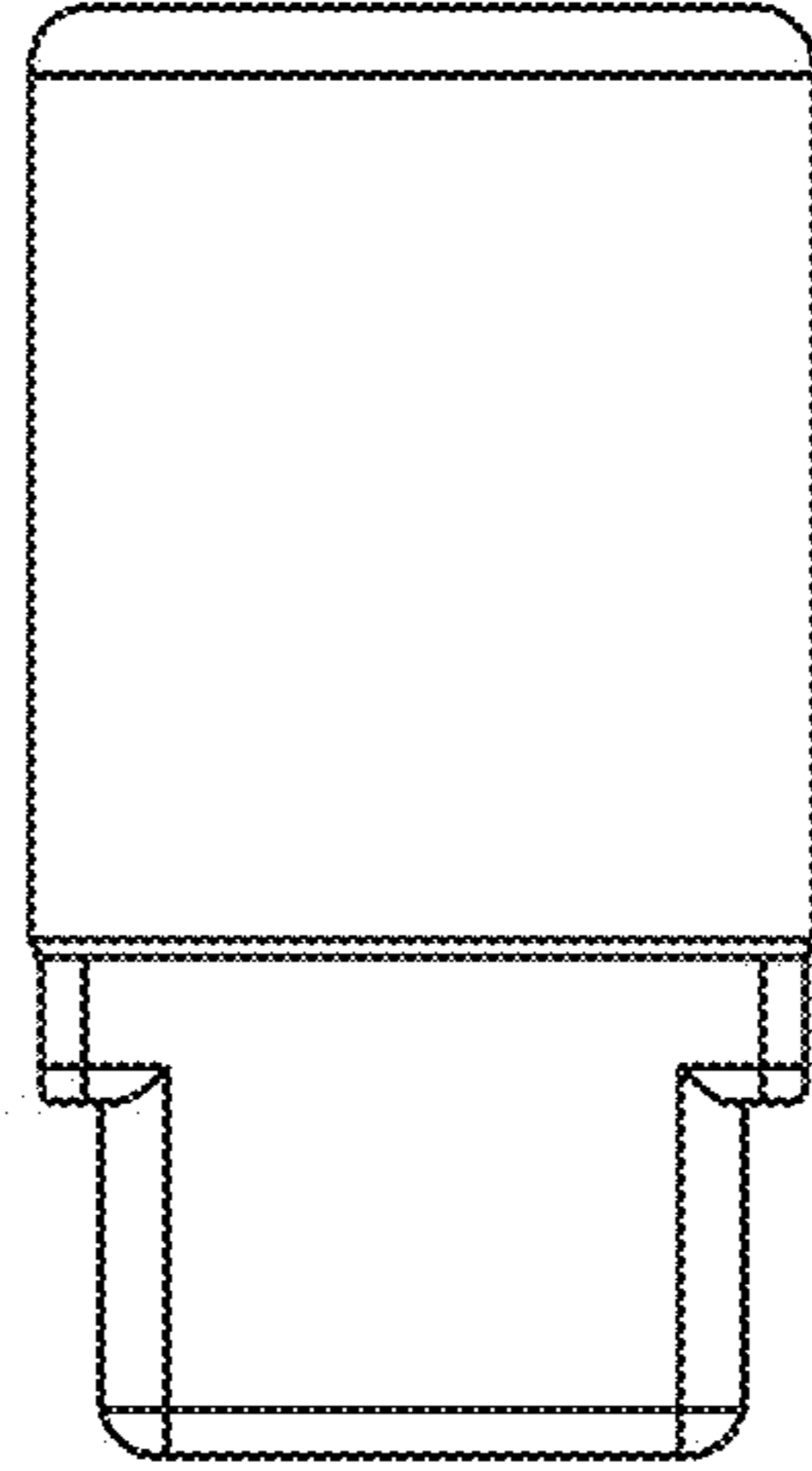


FIGURE 1

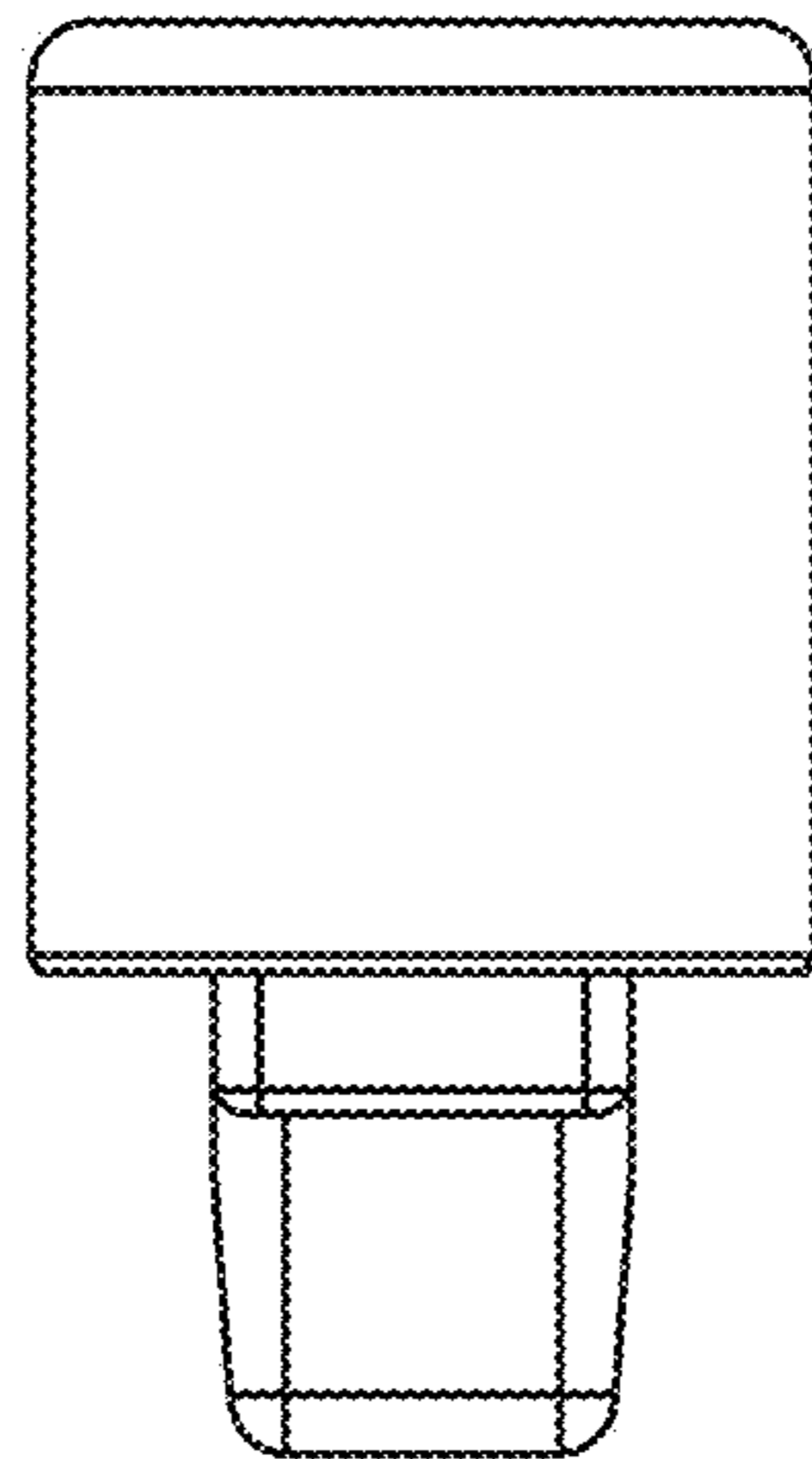


FIGURE 2

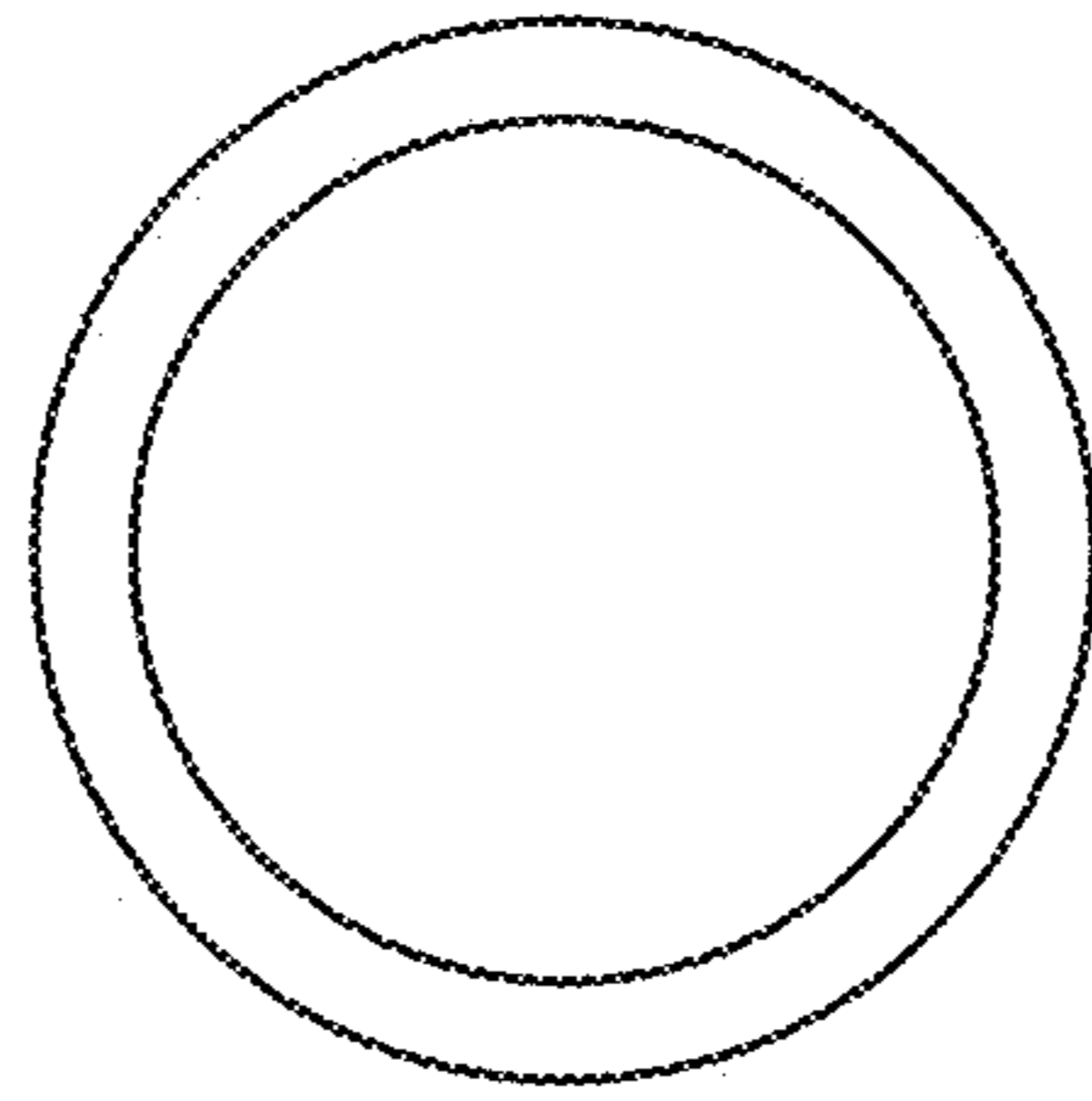


FIGURE 3

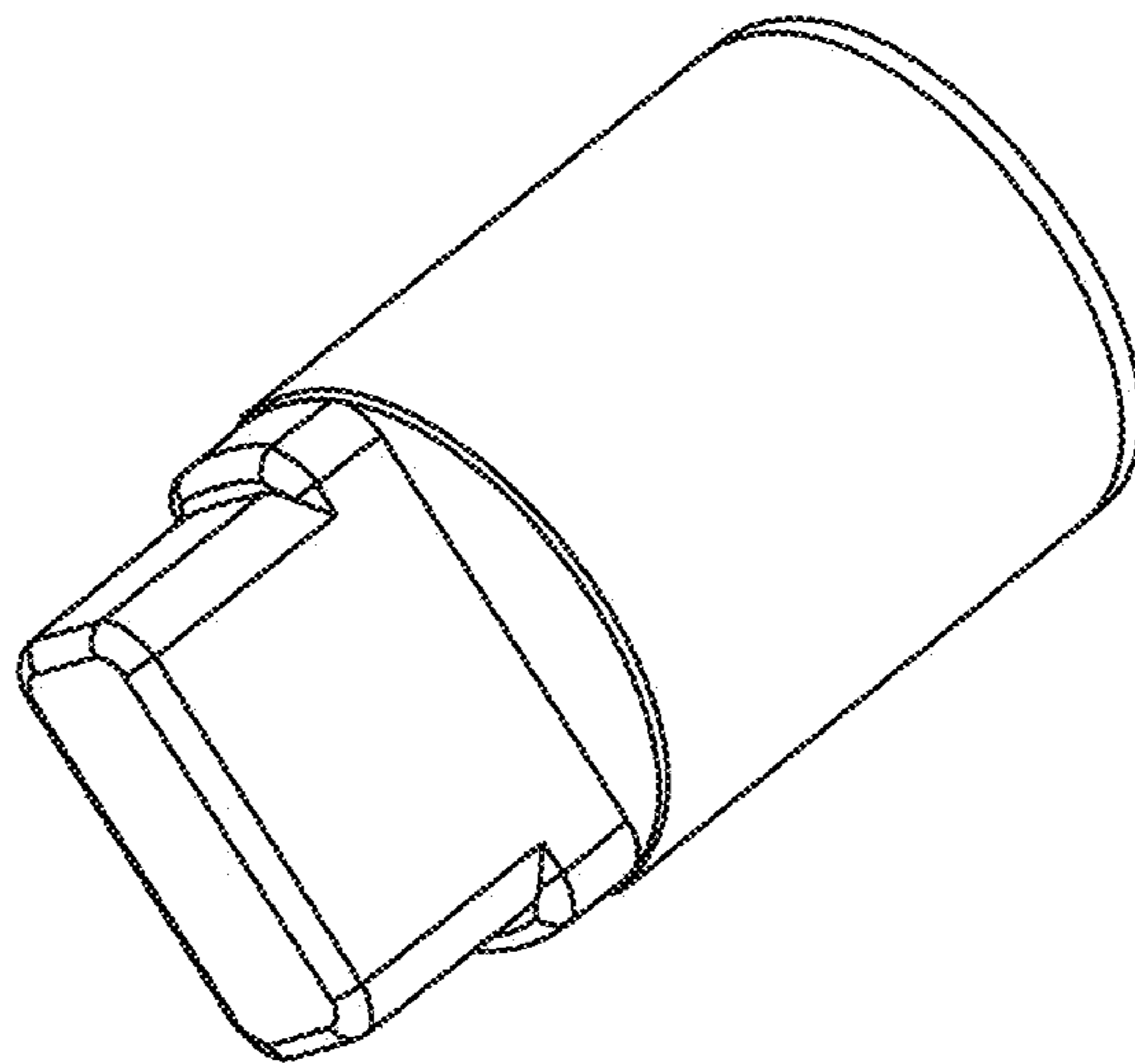


FIGURE 4