



US00D767384S

(12) **United States Design Patent**
Burns et al.

(10) **Patent No.:** **US D767,384 S**
(45) **Date of Patent:** **** Sep. 27, 2016**

(54) **SAFETY BOOT FOR SECURING A CLASSROOM DOOR FROM A THREAT**
(71) Applicants: **Daniel Dennis Burns**, San Antonio, TX (US); **Timothy Wayne Brown**, San Antonio, TX (US)
(72) Inventors: **Daniel Dennis Burns**, San Antonio, TX (US); **Timothy Wayne Brown**, San Antonio, TX (US)

(**) Term: **15 Years**

(21) Appl. No.: **29/535,742**

(22) Filed: **Aug. 10, 2015**

(51) **LOC (10) Cl.** **08-09**

(52) **U.S. Cl.**
USPC **D8/402**

(58) **Field of Classification Search**
USPC D8/330, 331, 339-342, 349, 367, 400, D8/499, 402; 70/14, 19, 57, 57.1, 58, 51, 70/52, 199, 237, 240, 431, 288, 94, 99; 292/92, 339, 259 R, 259 A, 57, 262, 292/273, 305, 306, DIG. 47, DIG. 55, 292/DIG. 60, 288, DIG. 15; 49/57, 61, 62, 49/303, 463-466; 16/82, 375, 137, 135
CPC E05F 5/06; E05F 5/00; E05C 17/00; E05Y 2900/531; E05Y 2201/21
See application file for complete search history.

(56) **References Cited**

U.S. PATENT DOCUMENTS

4,044,424 A * 8/1977 Sasgen E05C 17/54 16/85
4,688,761 A * 8/1987 Wilcox B25B 27/0035 254/104

4,831,688 A * 5/1989 Deininger E05F 5/04 16/319
4,958,869 A * 9/1990 Bisher E05C 17/54 292/339
D323,976 S * 2/1992 Barnes D8/402
D344,014 S * 2/1994 Marshall D8/402
D367,421 S * 2/1996 Powers D8/402
6,378,917 B1 * 4/2002 Jones E05C 19/184 16/82
D533,447 S * 12/2006 Irie D8/402
7,644,964 B2 * 1/2010 Bushey E05C 17/54 16/82
D612,717 S * 3/2010 Frankel D8/343
D620,348 S * 7/2010 Leung D8/402
D737,273 S * 8/2015 Schoenith D14/401

* cited by examiner

Primary Examiner — Prabhakar Deshmukh
(74) *Attorney, Agent, or Firm* — William H. Quirk; Jesse L. Frizzell; Rosenthal Pauerstein Sandoloski Agather LLP

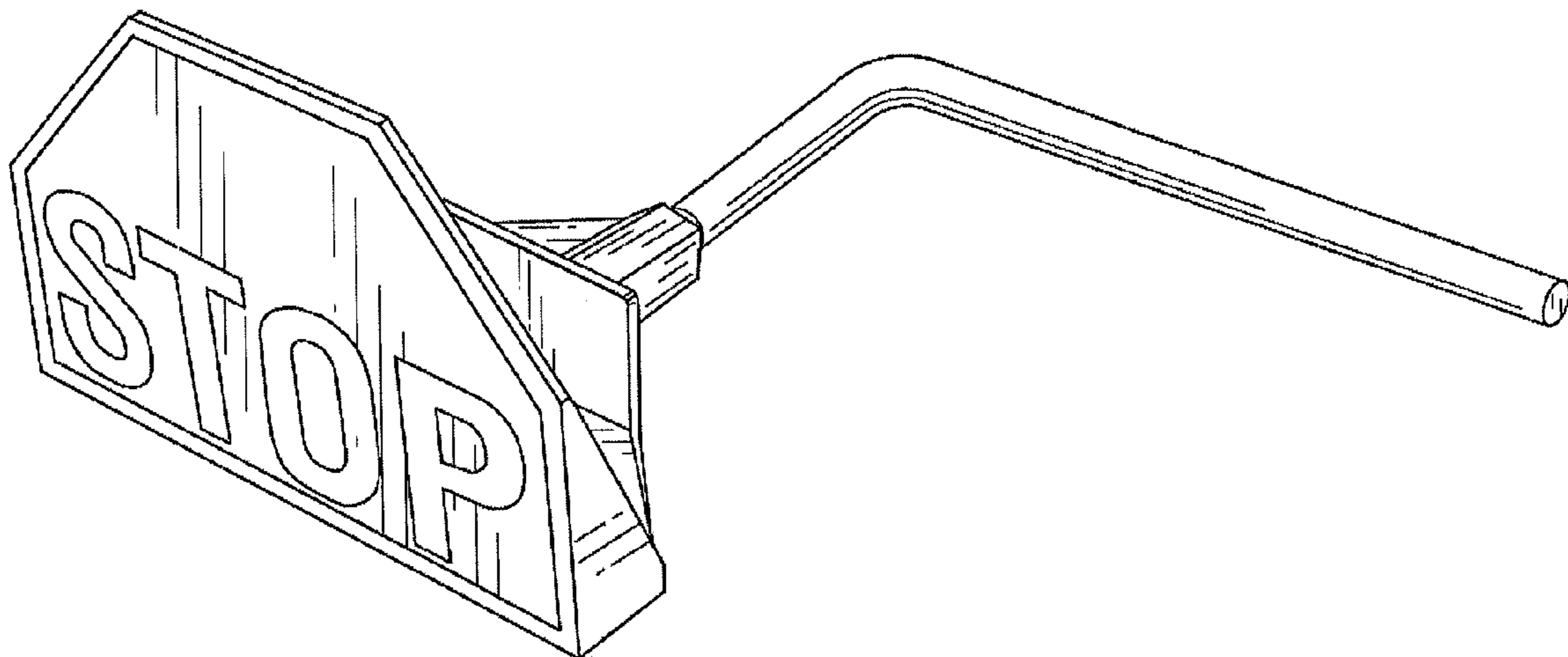
(57) **CLAIM**

We claim the ornamental design for a safety boot for securing a classroom door from a threat, substantially as shown and described.

DESCRIPTION

FIG. 1 is a front elevational view of a safety boot for securing a classroom door from a the treat showing our new design;
FIG. 2 is a top plan view thereof;
FIG. 3 is a left side elevational view thereof;
FIG. 4 is a right side elevational view thereof;
FIG. 5 is a rear elevational view thereof;
FIG. 6 is a bottom plan view thereof; and,
FIG. 7 is a perspective view thereof.
The broken lines illustrate environment and form no part of the claimed design.

1 Claim, 7 Drawing Sheets



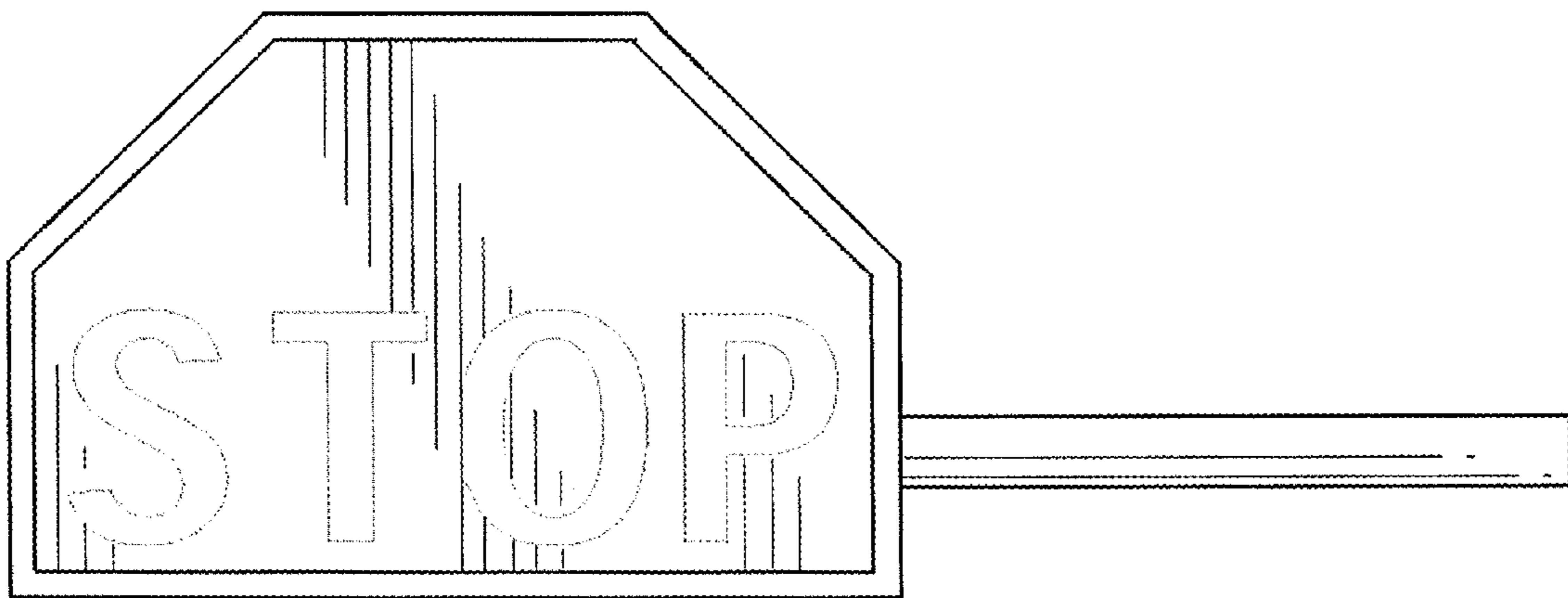


Fig. 1

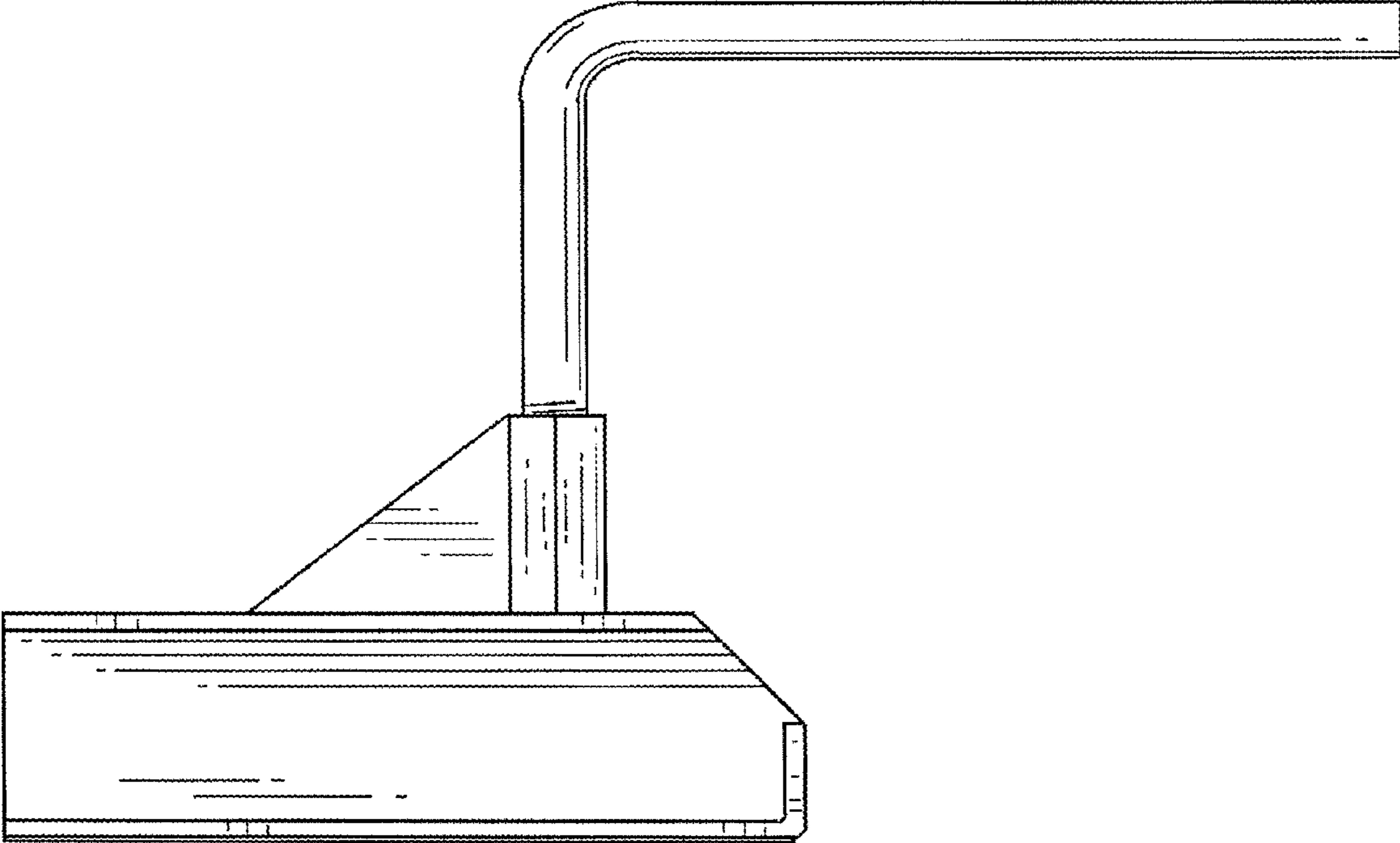


Fig. 2

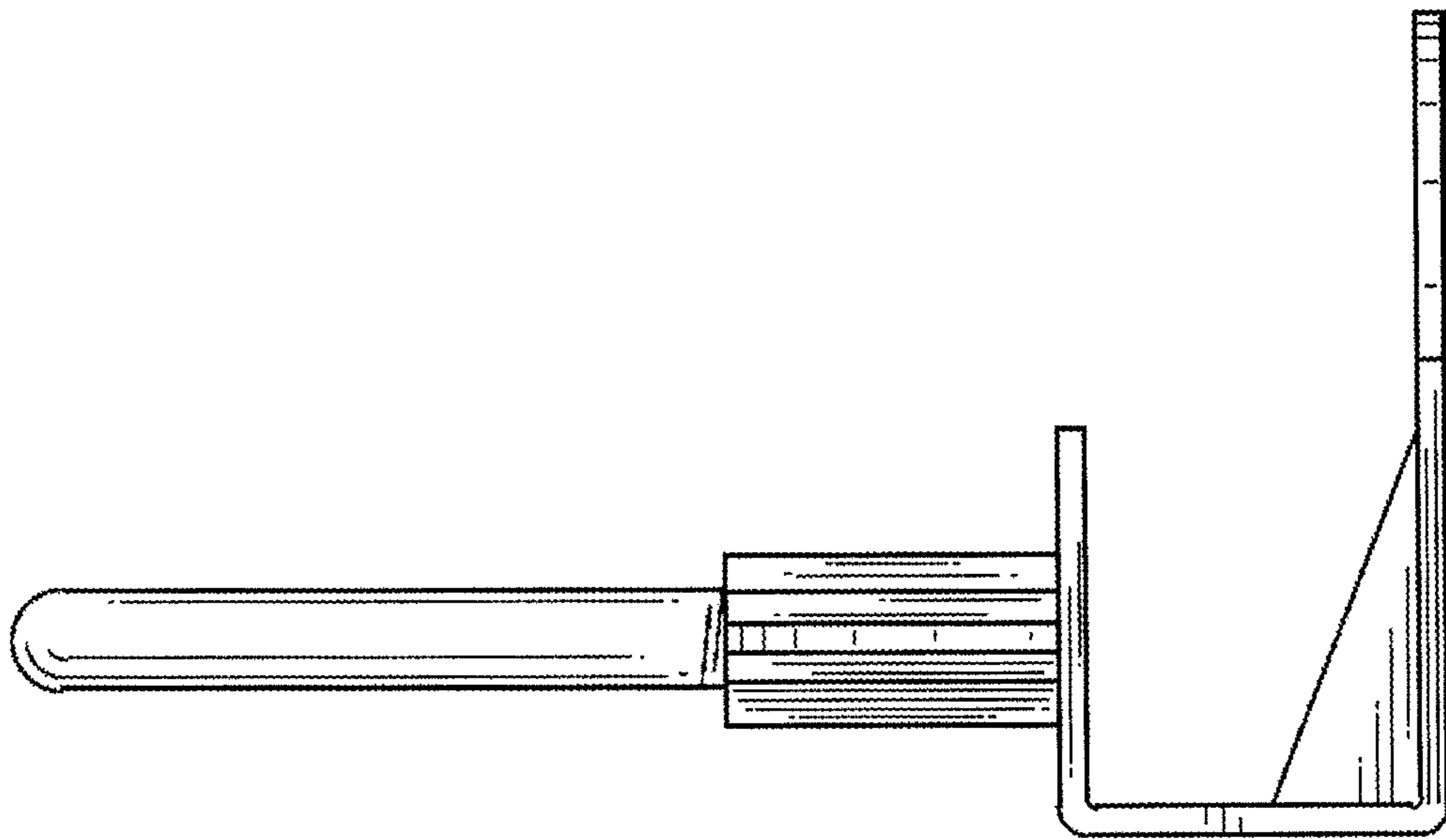


Fig. 3

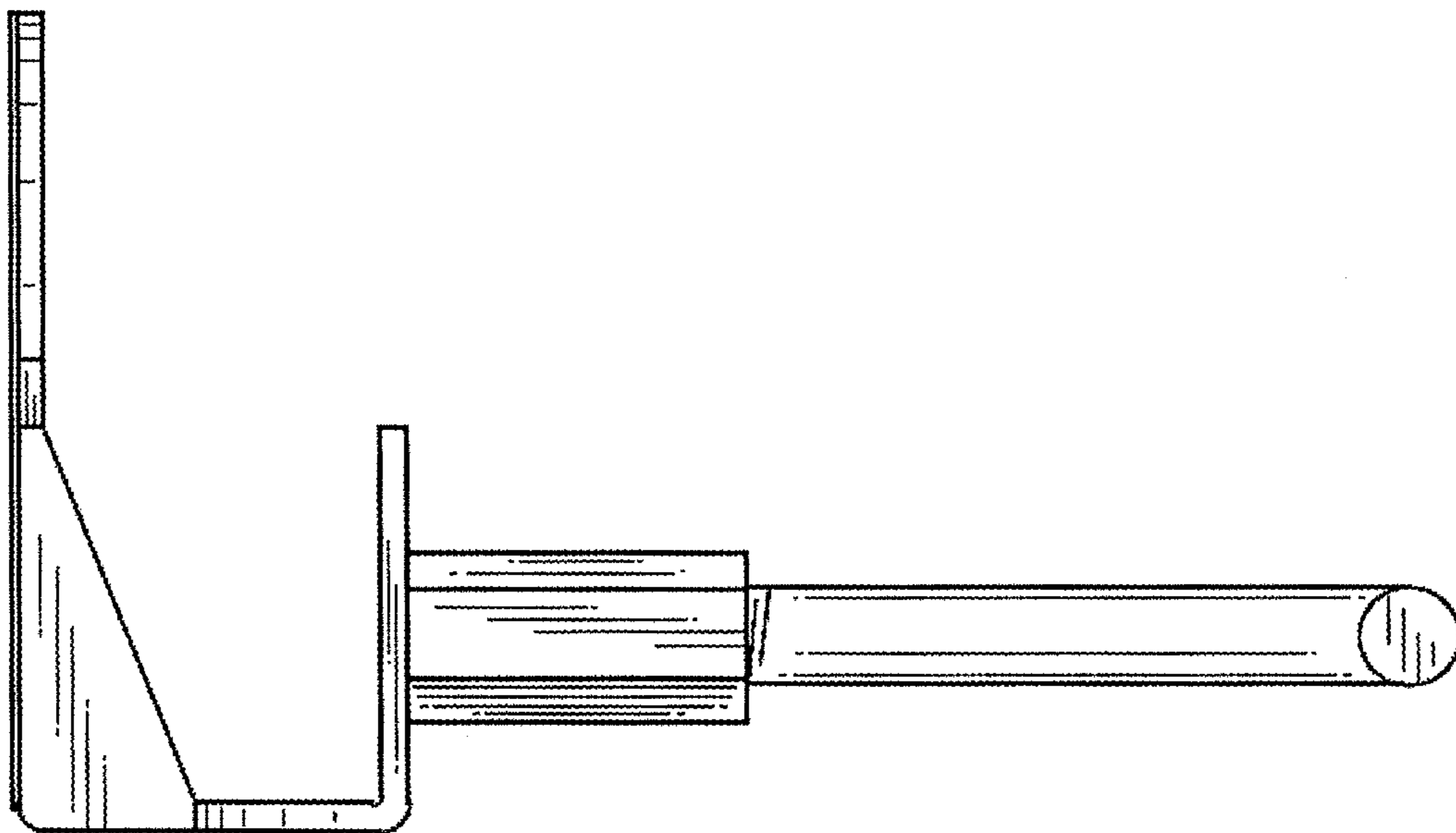


Fig. 4

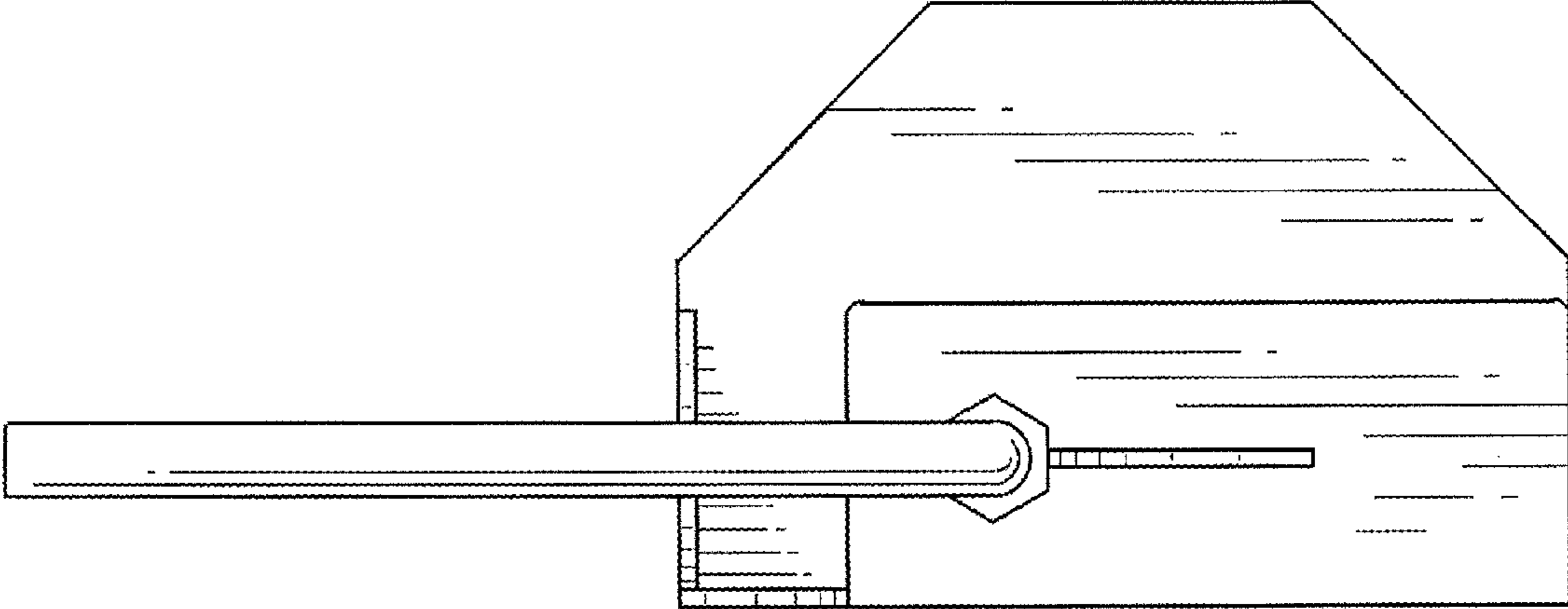


Fig. 5

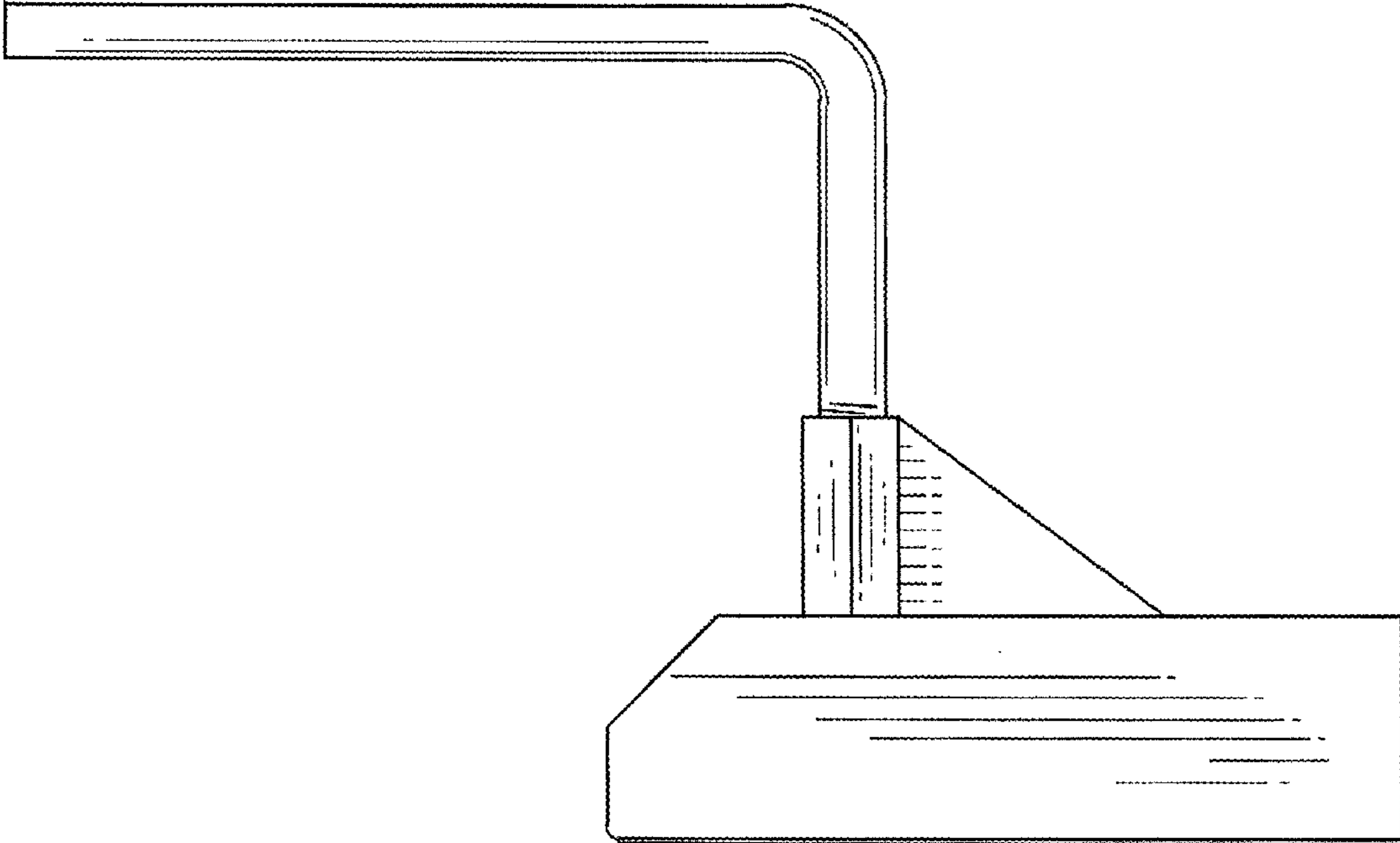


Fig. 6

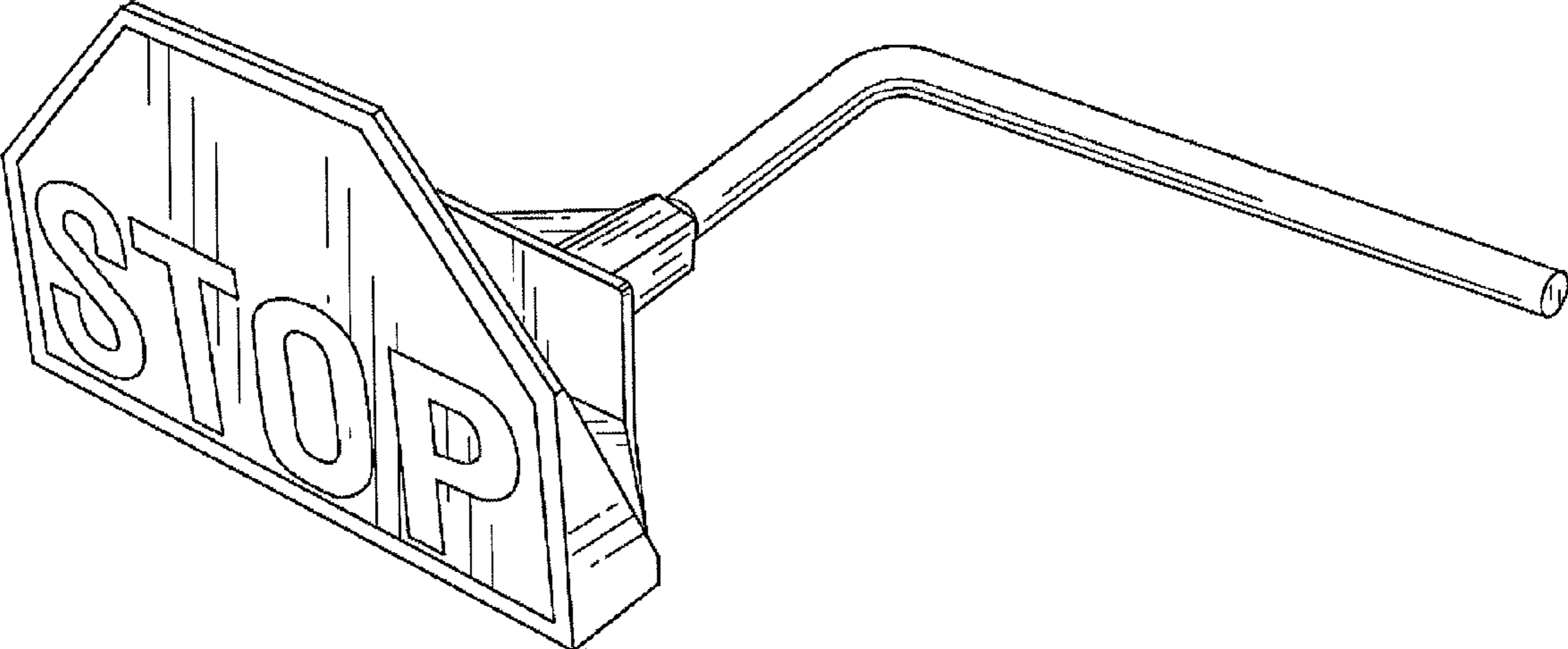


Fig. 7