



US00D767379S

(12) **United States Design Patent** (10) **Patent No.:** **US D767,379 S**
Knight et al. (45) **Date of Patent:** **** Sep. 27, 2016**

- (54) **MOUNTING PLATE**
- (71) Applicant: **Homer TLC, Inc.**, Wilmington, DE (US)
- (72) Inventors: **Erica Knight**, Chamblee, GA (US);
Michael Nelson, Peachtree City, GA (US)
- (73) Assignee: **Home Depot Product Authority, LLC**, Atlanta, GA (US)
- (**) Term: **14 Years**
- (21) Appl. No.: **29/519,542**
- (22) Filed: **Mar. 5, 2015**
- (51) **LOC (10) Cl.** **08-05**
- (52) **U.S. Cl.**
USPC **D8/373; D8/372**
- (58) **Field of Classification Search**
USPC D8/16, 19, 349, 354, 355, 363, 364, D8/367, 370-373, 376, 382, 384-386, D8/389; D6/323, 550, 558, 565, 556, 514, D6/705.6, 546, 535, 566, 553, 525, 677.2, D6/677.5, 675.2, 675.5; D11/208; D26/87; D23/223, 238, 252, 257, 259; D20/15
CPC A47K 1/09; A47K 2201/02; A47K 10/04; A47K 17/00; A47K 2010/3253; A47K 10/10; A47K 5/00; A47H 1/102; Y10S 242/90; Y10T 225/232; Y10T 225/247; Y10T 24/1696
See application file for complete search history.

- D359,673 S * 6/1995 Gibson D8/352
- D390,013 S * 2/1998 Ho D6/323
- D507,961 S 8/2005 Goodman et al.
- D611,329 S 3/2010 Barrese
- D614,478 S 4/2010 Barrese
- D630,089 S 1/2011 Kim
- D654,783 S 2/2012 Warren
- D707,537 S 6/2014 Schraufnagel
- D715,133 S 10/2014 Pan
- D715,625 S 10/2014 Pan
- D734,133 S 7/2015 Spindler

OTHER PUBLICATIONS

BQLZR Stainless Steel 2 Holes Flat Corner Brace Plate Connector, posted on Mar. 3, 2015 by BQLZR found on Feb. 3, 2016 on http://www.amazon.com/BQLZR-Stainless-Corner-Connector-47x15-5x5mm/dp/B00QUNEPUM/ref=cm_cr_pr_product_top?ie=UTF8.*

* cited by examiner

Primary Examiner — Robert M Spear
Assistant Examiner — Eliza Bennett-Hattan
(74) *Attorney, Agent, or Firm* — Greenberg Traurig, LLP

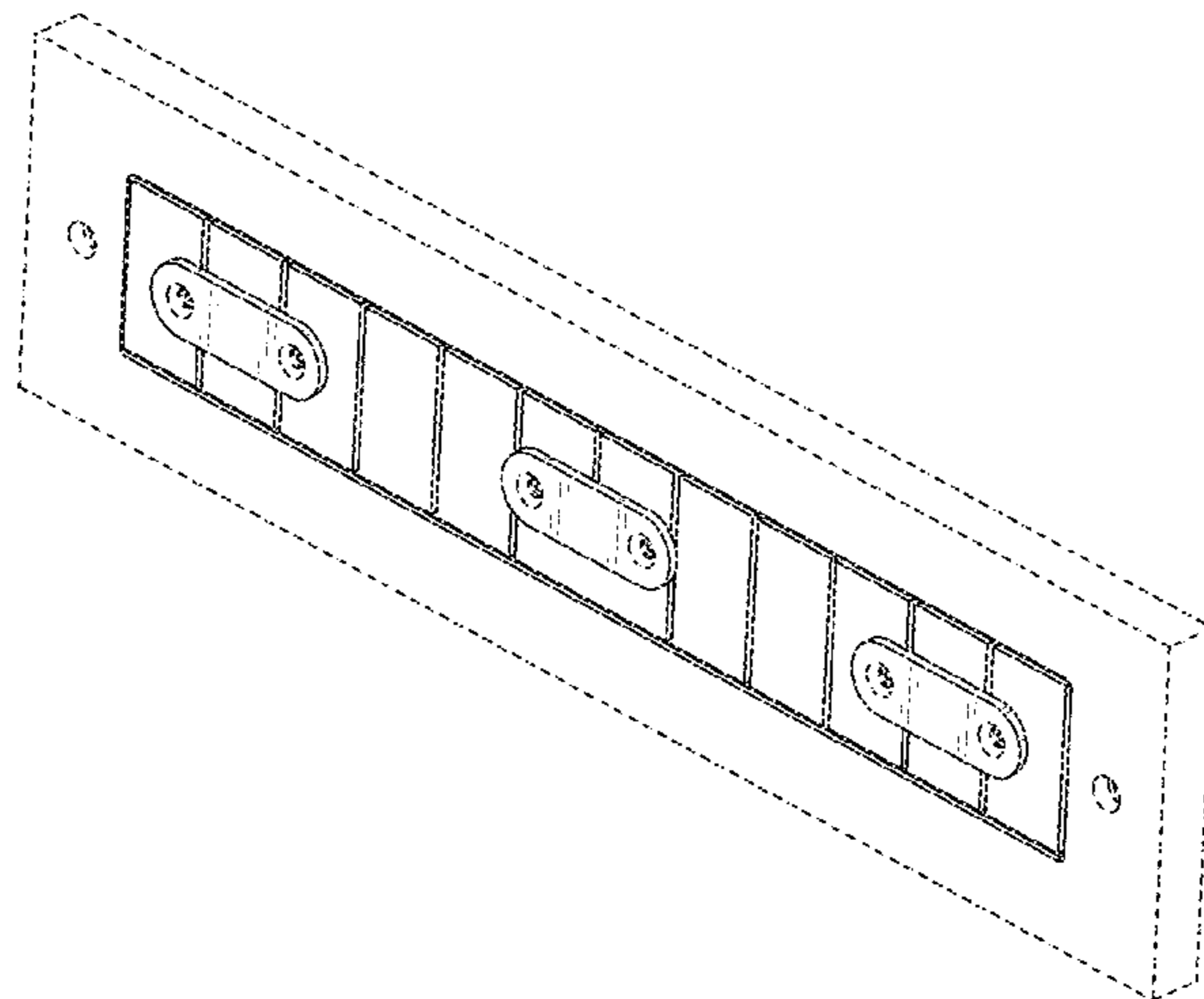
(57) **CLAIM**
The ornamental design for a set of mounts, as shown and described.

DESCRIPTION

FIG. 1 is a perspective view of a first embodiment of our design;
FIG. 2 is a front view thereof;
FIG. 3 is a left side view thereof;
FIG. 4 is a right side view thereof;
FIG. 5 is a top view thereof; and,
FIG. 6 is a bottom view thereof.
The dashed lines in the figures represent environmental structure that forms no part of the claimed design.

1 Claim, 5 Drawing Sheets

- (56) **References Cited**
U.S. PATENT DOCUMENTS
D56,143 S * 8/1920 Greene D13/171
D247,845 S * 5/1978 Palm, Jr. D8/352
D294,791 S * 3/1988 Loscalzo D6/323
D326,806 S * 6/1992 Marques D8/352



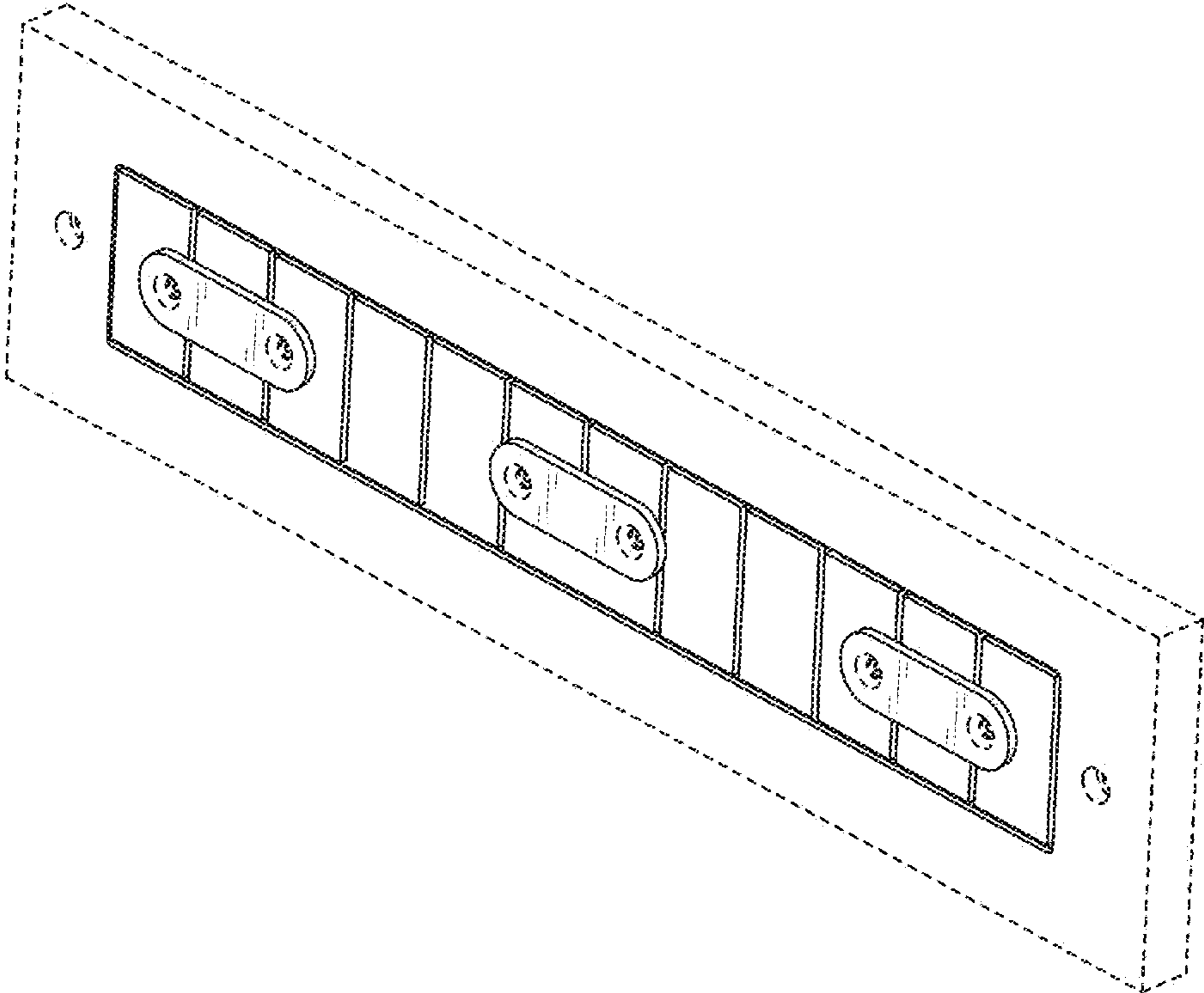


FIG. 1

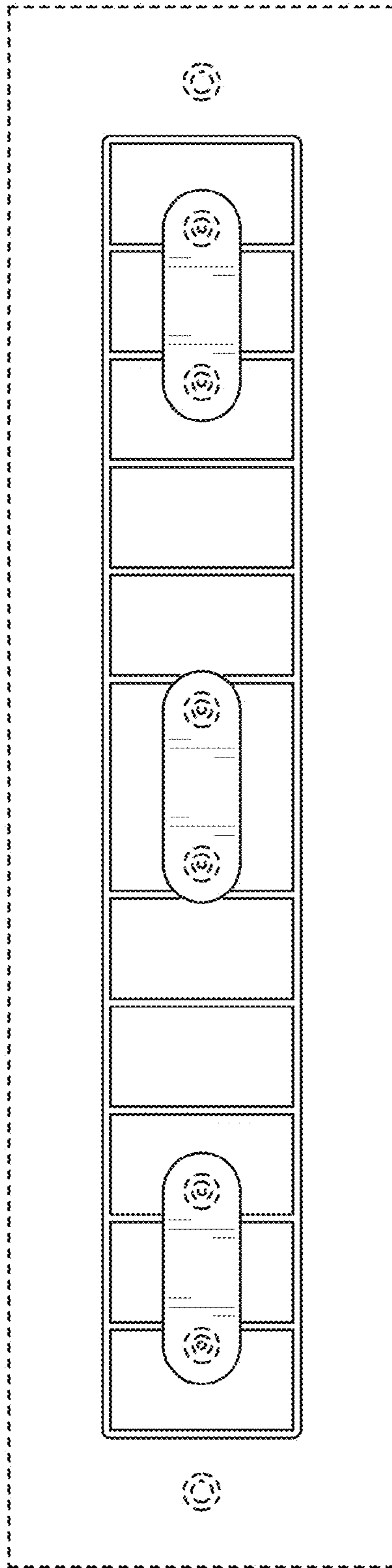


FIG. 2



FIG. 4

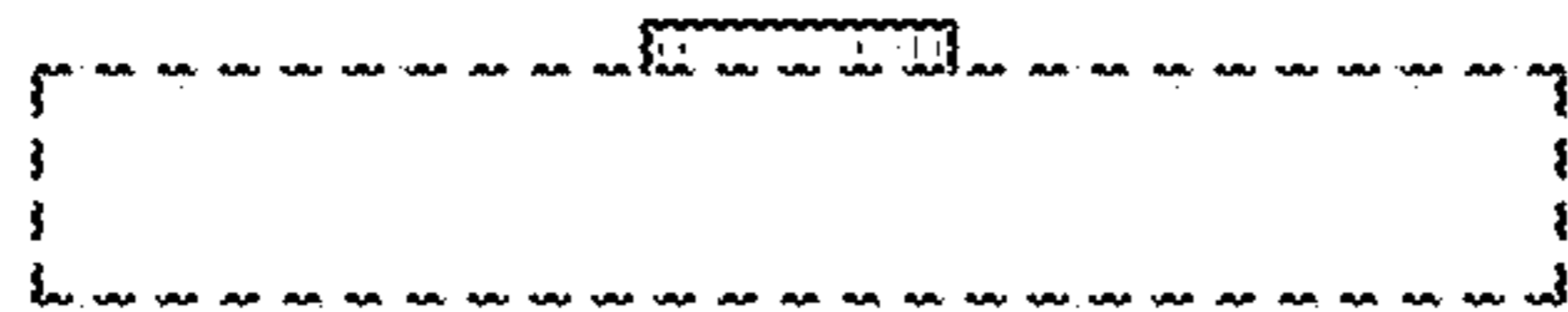


FIG. 3

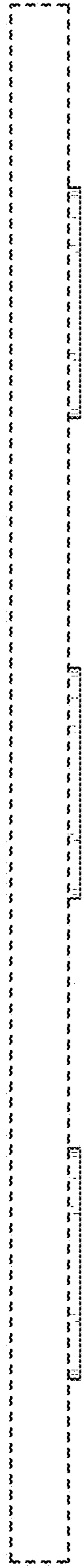


FIG. 5

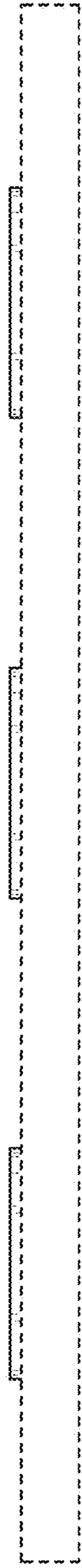


FIG. 6

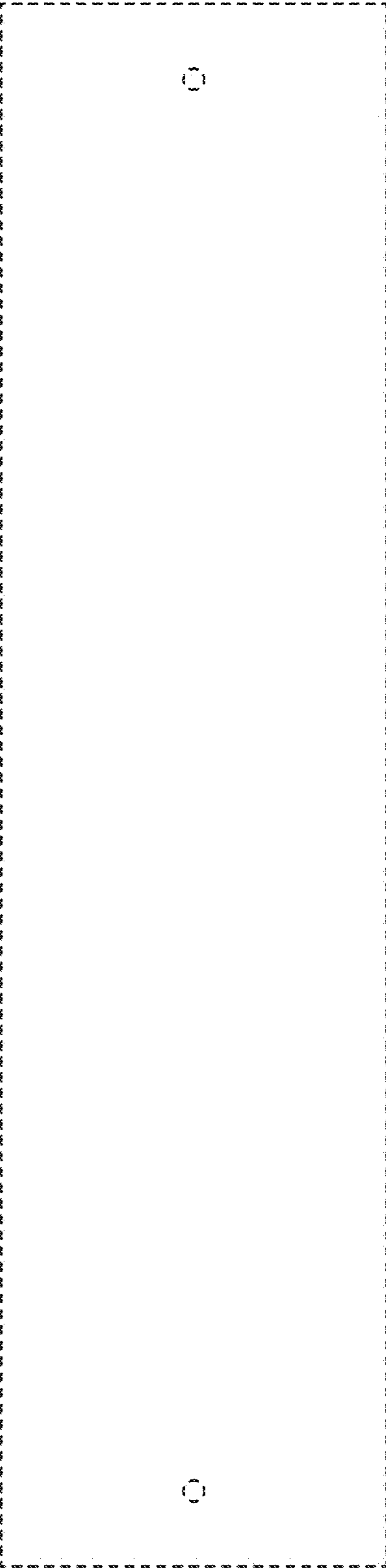


FIG. 7