



US00D767378S

(12) **United States Design Patent** (10) **Patent No.:** **US D767,378 S**  
**Sehl** (45) **Date of Patent:** **\*\* Sep. 27, 2016**

(54) **BACKING PLATE FOR A HOOK**  
(71) Applicant: **Michael Gaffney Sehl**, Taipei (TW)  
(72) Inventor: **Michael Gaffney Sehl**, Taipei (TW)  
(73) Assignee: **LAMI PRODUCTS, INC.**, Huntingdon Valley, PA (US)

(\*\*) Term: **14 Years**

(21) Appl. No.: **29/474,975**

(22) Filed: **Apr. 10, 2015**

(51) **LOC (10) Cl.** ..... **08-05**

(52) **U.S. Cl.**  
USPC ..... **D8/373**

(58) **Field of Classification Search**  
USPC ..... D8/16, 19, 349, 354, 355, 363, 364,  
D8/367, 370-373, 376, 382, 384-386,  
D8/389; D6/323, 550; D11/208; D26/87;  
D23/223, 238, 252, 257, 259; D20/15  
CPC ..... A47F 5/0861; A47F 1/128; G09F 15/00;  
G09F 17/00; G09F 7/12; F16B 21/082;  
F16B 45/00; A47H 13/04; A47H 2201/01  
See application file for complete search history.

(56) **References Cited**

**U.S. PATENT DOCUMENTS**

D27,311 S \* 7/1897 Brickley ..... 211/96  
D356,243 S \* 3/1995 Eckerman ..... D8/373  
D434,306 S \* 11/2000 Brown ..... D8/373  
D499,329 S \* 12/2004 Suero, Jr. .... D8/372  
D550,545 S \* 9/2007 Ernst ..... D8/373  
D553,481 S \* 10/2007 Kubota ..... D8/367

D557,595 S \* 12/2007 Ernst ..... D8/367  
D559,091 S \* 1/2008 Skorka ..... D8/367  
D577,576 S \* 9/2008 Ernst ..... D8/373  
D577,989 S \* 10/2008 Ernst ..... D6/566  
D591,143 S \* 4/2009 Ernst ..... D8/370  
D715,625 S \* 10/2014 Pan ..... D8/367  
D739,215 S \* 9/2015 McLain ..... D8/373

\* cited by examiner

*Primary Examiner* — Robert M Spear

*Assistant Examiner* — Eliza Bennett-Hattan

(74) *Attorney, Agent, or Firm* — Beusse, Wolter, Sanks & Maire, PLLC

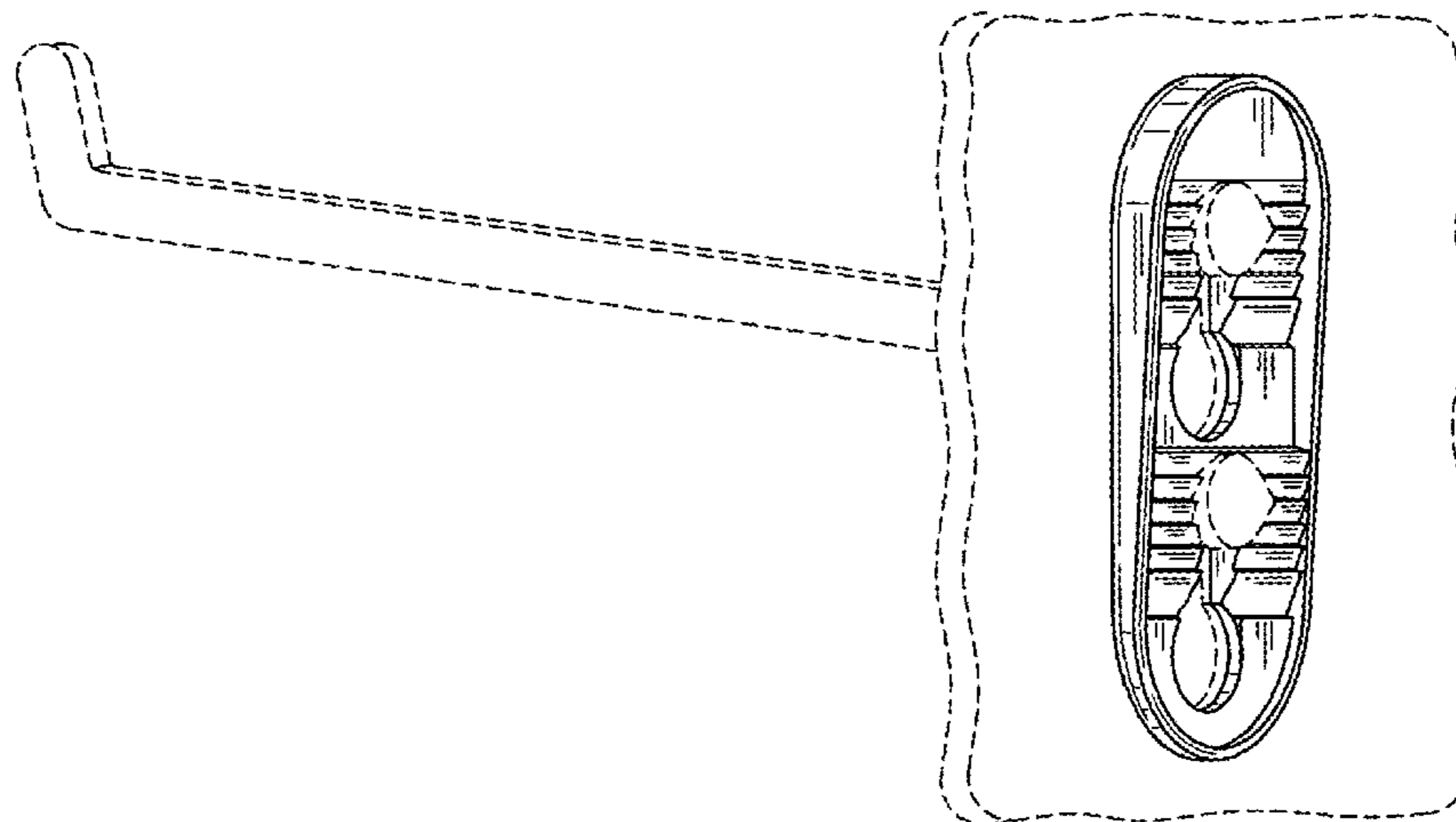
(57) **CLAIM**

The ornamental design for a backing plate for a hook, as shown and described.

**DESCRIPTION**

FIG. 1 is a front view in perspective of a backing plate for a hook of the present invention as illustrated as installed; FIG. 2 is a rear view in perspective of the backing plate for a hook; FIG. 3 is a front view in perspective of the backing plate for a hook; FIG. 4 is a side view of the backing plate for a hook; FIG. 5 is a rear view of the backing plate for a hook; FIG. 6 is a front view of the backing plate for a hook; FIG. 7 is a top view of the backing plate for a hook; and, FIG. 8 is a bottom view of the backing plate for a hook. The broken lines depict environmental subject matter only and form no part of the claimed design.

**1 Claim, 4 Drawing Sheets**



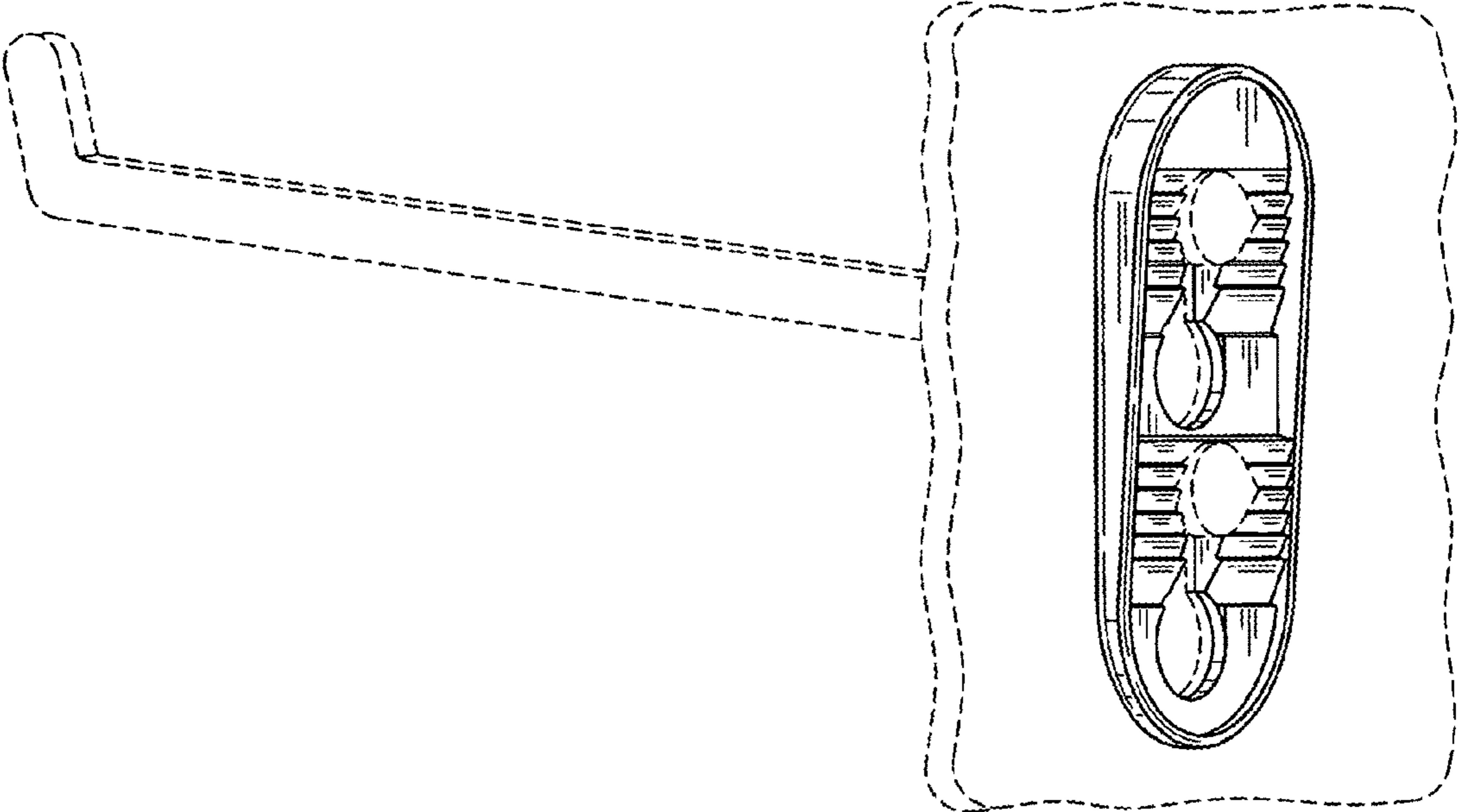


FIG. 1

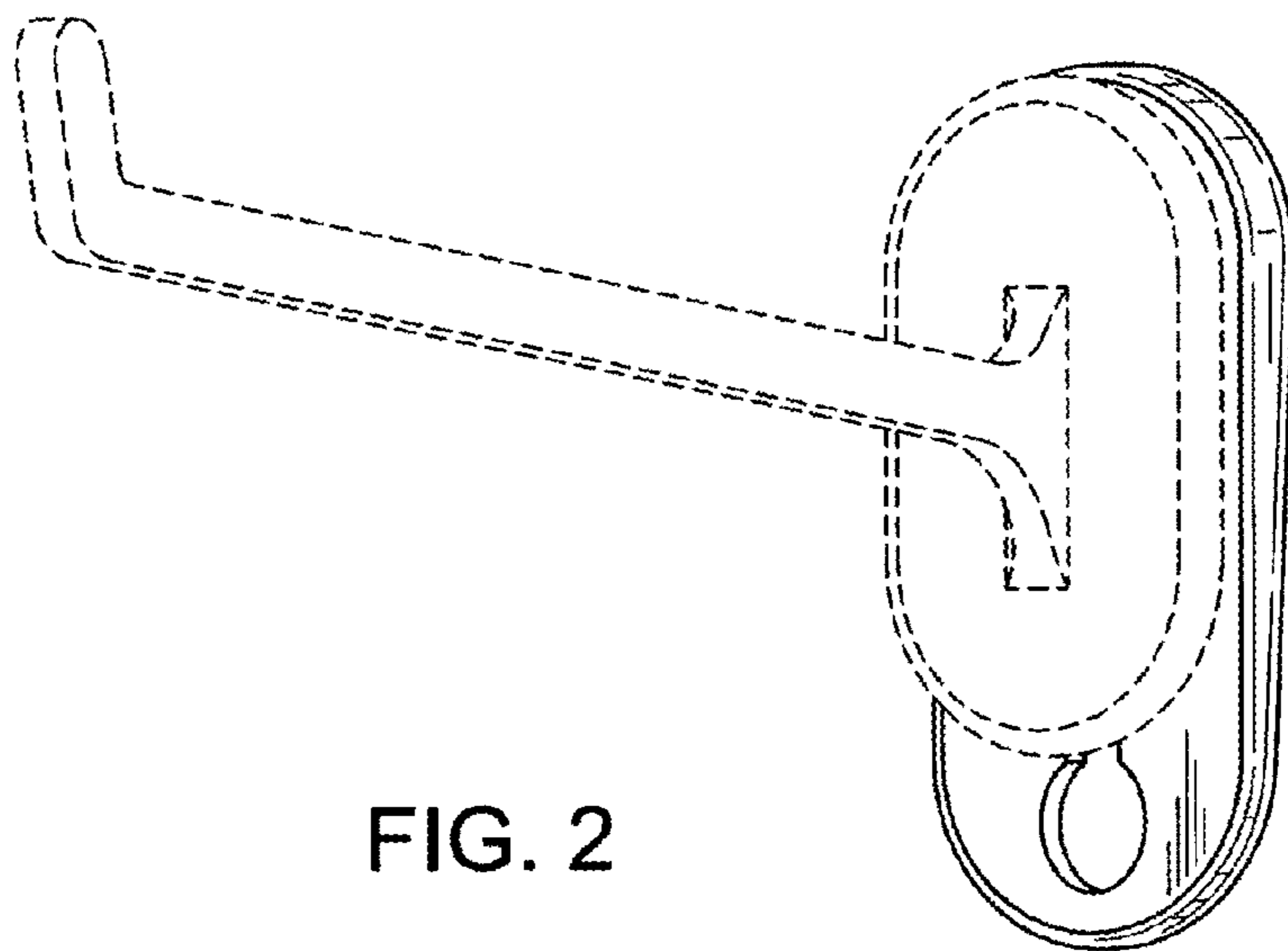


FIG. 2

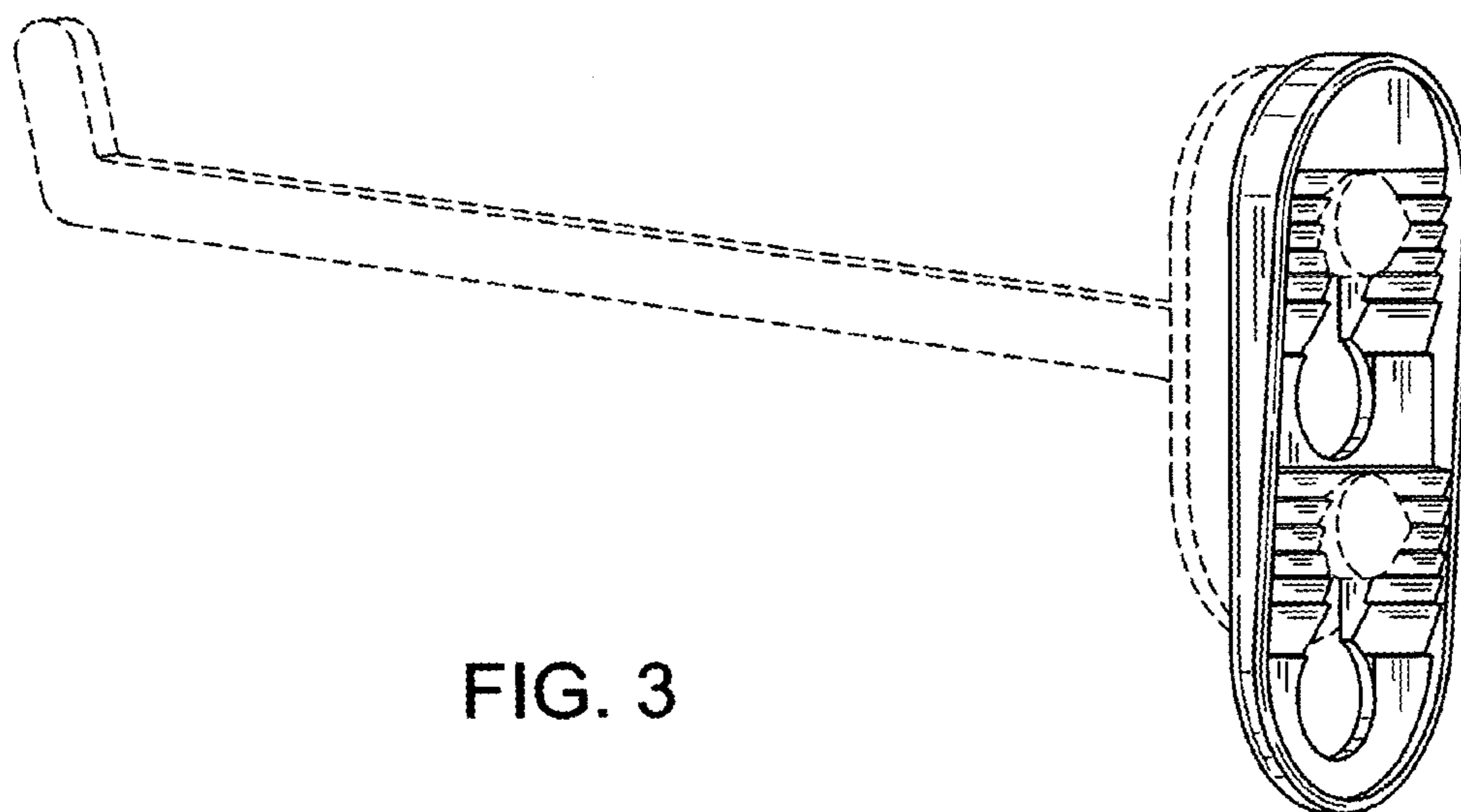


FIG. 3

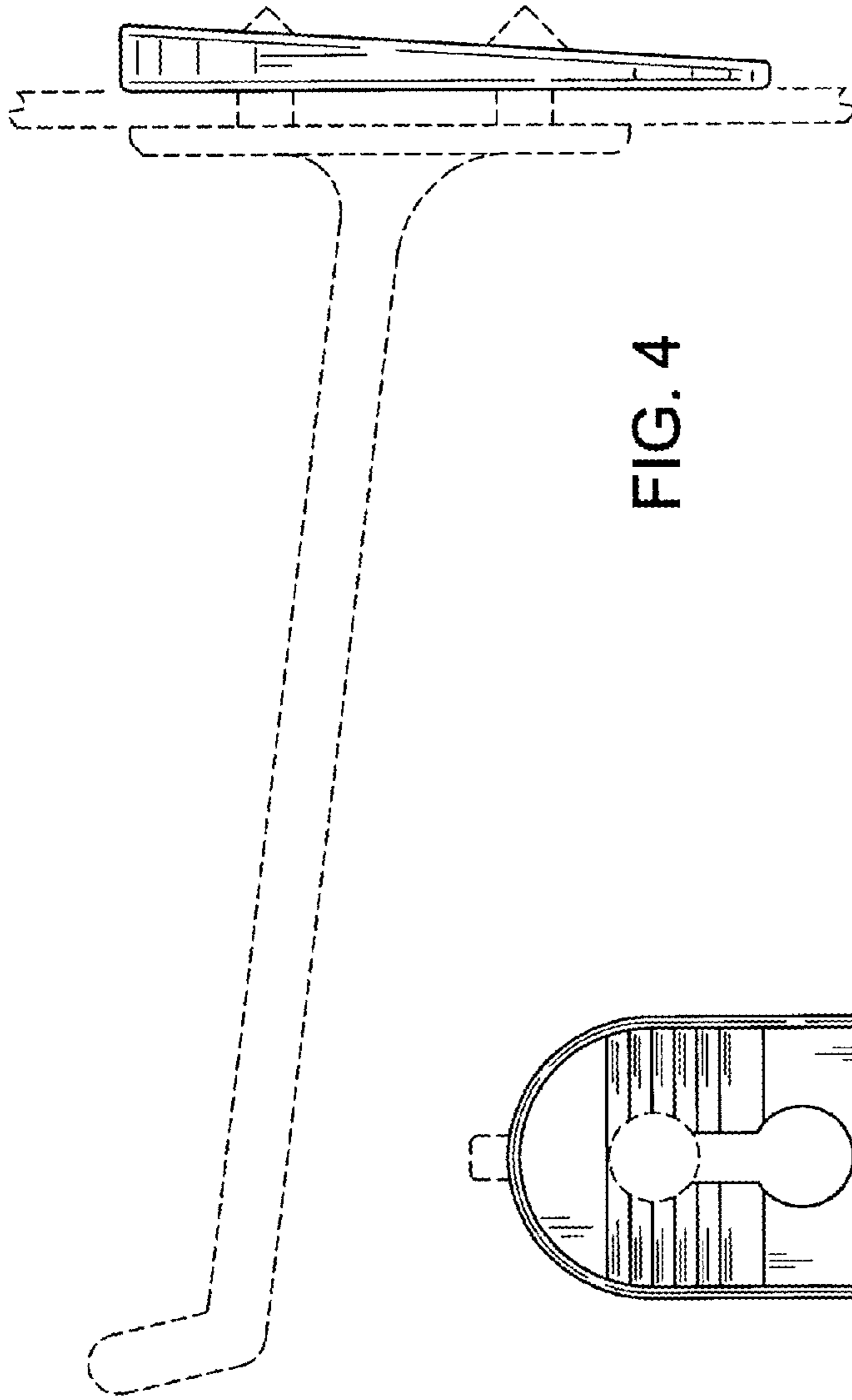


FIG. 4

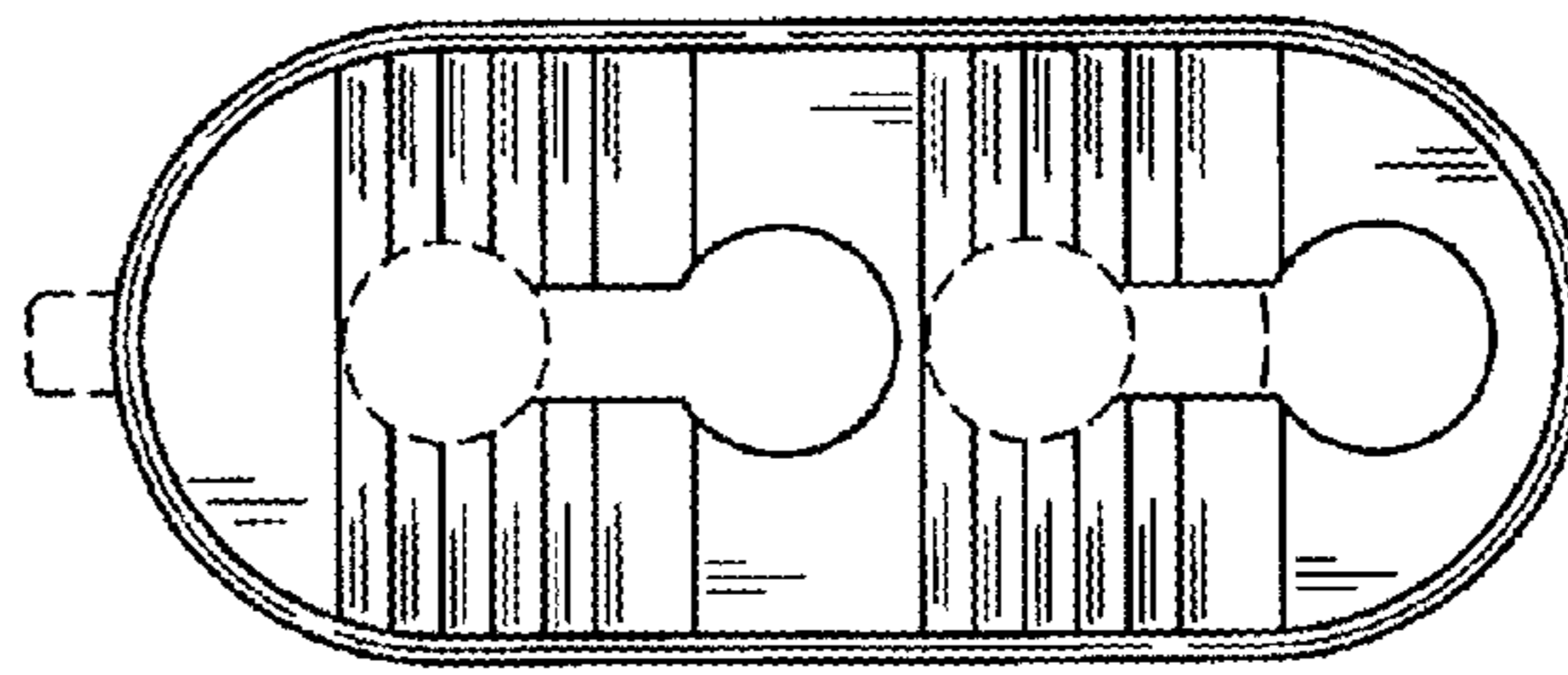


FIG. 6

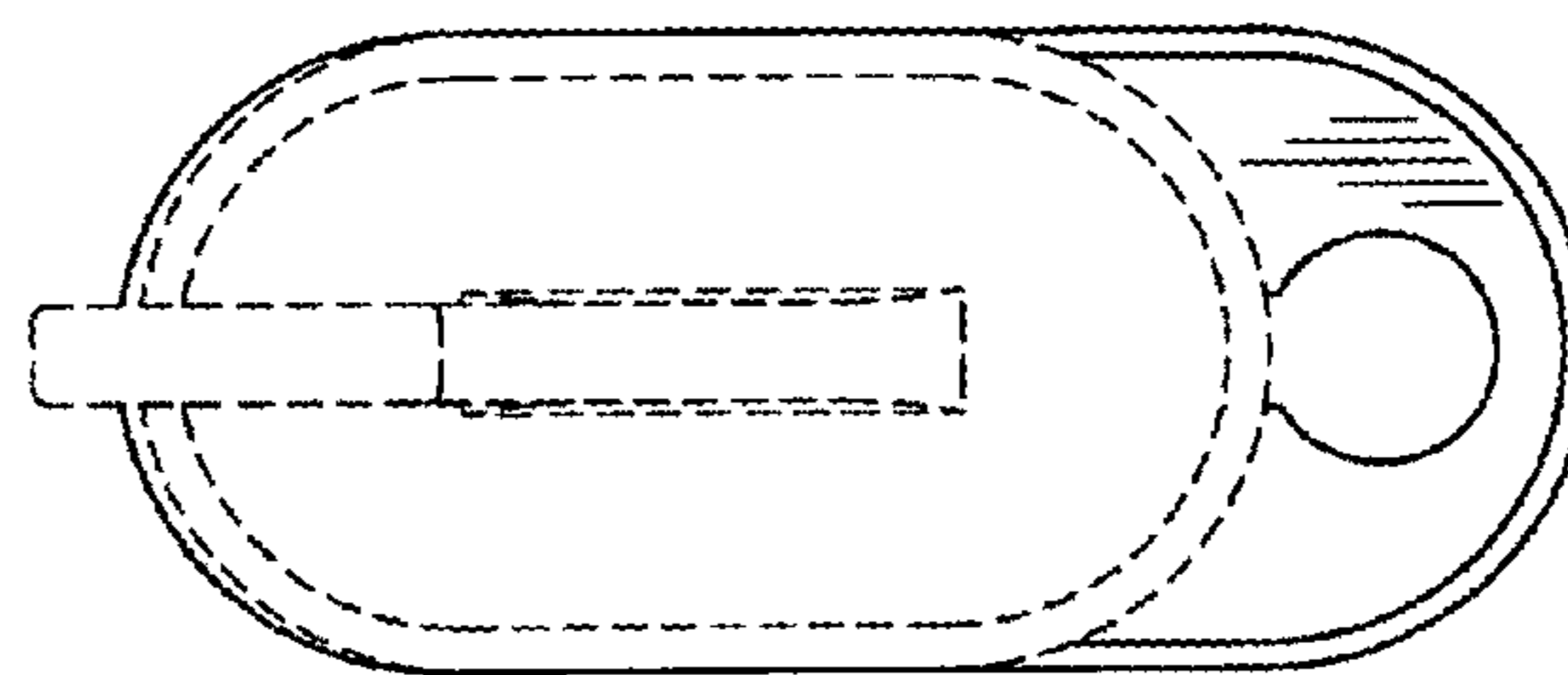


FIG. 5

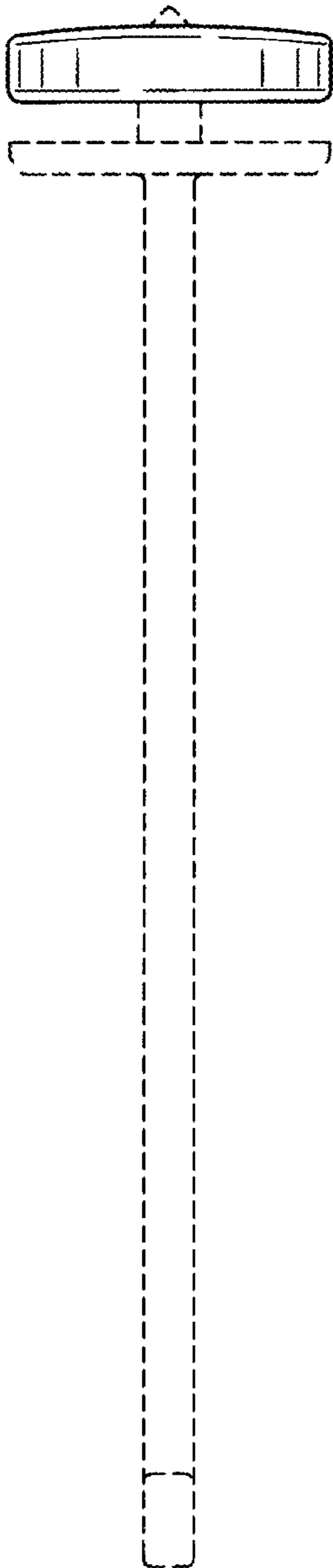


FIG. 7

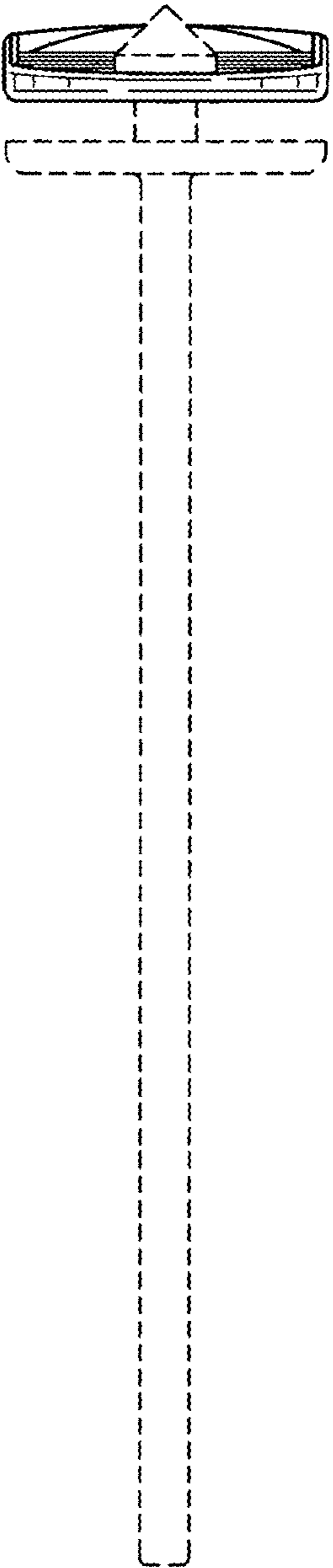


FIG. 8