



US00D767377S

(12) **United States Design Patent** (10) **Patent No.:** **US D767,377 S**
Sekula et al. (45) **Date of Patent:** **** Sep. 27, 2016**

(54) **MOUNTING BRACKET**

(56) **References Cited**

(71) Applicant: **Airpressure Bodyforming GmbH**,
Berchtesgaden (DE)
(72) Inventors: **Oliver Sekula**, Berchtesgaden (DE);
Hubert Greinwalder, München (DE);
Gert Rechenmacher, Kapfenberg (AT)
(73) Assignee: **Airpressure Bodyforming GmbH**,
Berchtesgaden (DE)
(**) Term: **14 Years**
(21) Appl. No.: **29/462,235**
(22) Filed: **Jul. 31, 2013**

U.S. PATENT DOCUMENTS

| | | | | | | |
|--------------|----|---|---------|-------------|-------|-------------------------|
| D348,981 | S | * | 7/1994 | Dill | | D3/218 |
| D359,616 | S | * | 6/1995 | Ishibashi | | D3/218 |
| D390,699 | S | * | 2/1998 | Goldenberg | | D3/218 |
| D451,915 | S | * | 12/2001 | Dalmau | | D14/253 |
| D455,066 | S | * | 4/2002 | Kolinen | | D13/118 |
| D466,516 | S | * | 12/2002 | Peiker | | D14/434 |
| D469,440 | S | * | 1/2003 | Lin | | D14/447 |
| D508,605 | S | * | 8/2005 | Hwang | | D3/218 |
| D549,709 | S | * | 8/2007 | Richter | | D14/251 |
| D586,795 | S | * | 2/2009 | Richter | | D14/253 |
| D609,464 | S | * | 2/2010 | Bullen | | D3/218 |
| D633,040 | S | * | 2/2011 | Le | | D13/108 |
| D649,347 | S | * | 11/2011 | Smith | | D3/218 |
| D656,932 | S | * | 4/2012 | Wikel | | D12/415 |
| D674,397 | S | * | 1/2013 | Asher | | D14/447 |
| D685,379 | S | * | 7/2013 | Richter | | D14/253 |
| D685,380 | S | * | 7/2013 | Richter | | D14/253 |
| D686,216 | S | * | 7/2013 | Hachadorian | | D14/447 |
| D690,690 | S | * | 10/2013 | Wikel | | D14/253 |
| D706,785 | S | * | 6/2014 | Brittain | | D14/447 |
| D713,835 | S | * | 9/2014 | Sirichai | | D14/253 |
| 8,988,862 | B2 | * | 3/2015 | Yuen | | F16M 13/022 345/156 |
| 9,163,779 | B2 | * | 10/2015 | Funk | | F16M 13/02 |
| 2002/0079864 | A1 | * | 6/2002 | Soumi | | H02J 7/0044 320/115 |
| 2007/0241149 | A1 | * | 10/2007 | Bhavnani | | G04B 37/1413 224/197 |
| 2013/0044099 | A1 | * | 2/2013 | Yuen | | F16M 13/022 345/418 |
| 2016/0008205 | A1 | * | 1/2016 | Sekula | | A61H 1/008 601/151 |

(30) **Foreign Application Priority Data**

Jan. 31, 2013 (EM) 002176305-0008
Jan. 31, 2013 (EM) 002176305-0010
Jan. 31, 2013 (EM) 002176305-0011

(51) **LOC (10) Cl.** **08-05**
(52) **U.S. Cl.**
USPC **D8/373**

(58) **Field of Classification Search**

USPC D3/201, 203.1, 215, 218, 221, 226, 228,
D3/259, 254, 315, 318, 328, 373;
D14/344, 432, 434, 451, 483, 217,
D14/260.1, 299, 224, 224.1, 251, 253;
D8/46, 103, 104.1, 121; D21/669, 686,
D21/694, 696
CPC A63B 2230/04; A63B 2230/045;
A63B 2230/30; A63B 2230/305; A63B
71/0619; B62J 2099/002; B62J 2099/0033;
F16M 13/00; F16M 13/02; F16M 2200/028
See application file for complete search history.

* cited by examiner

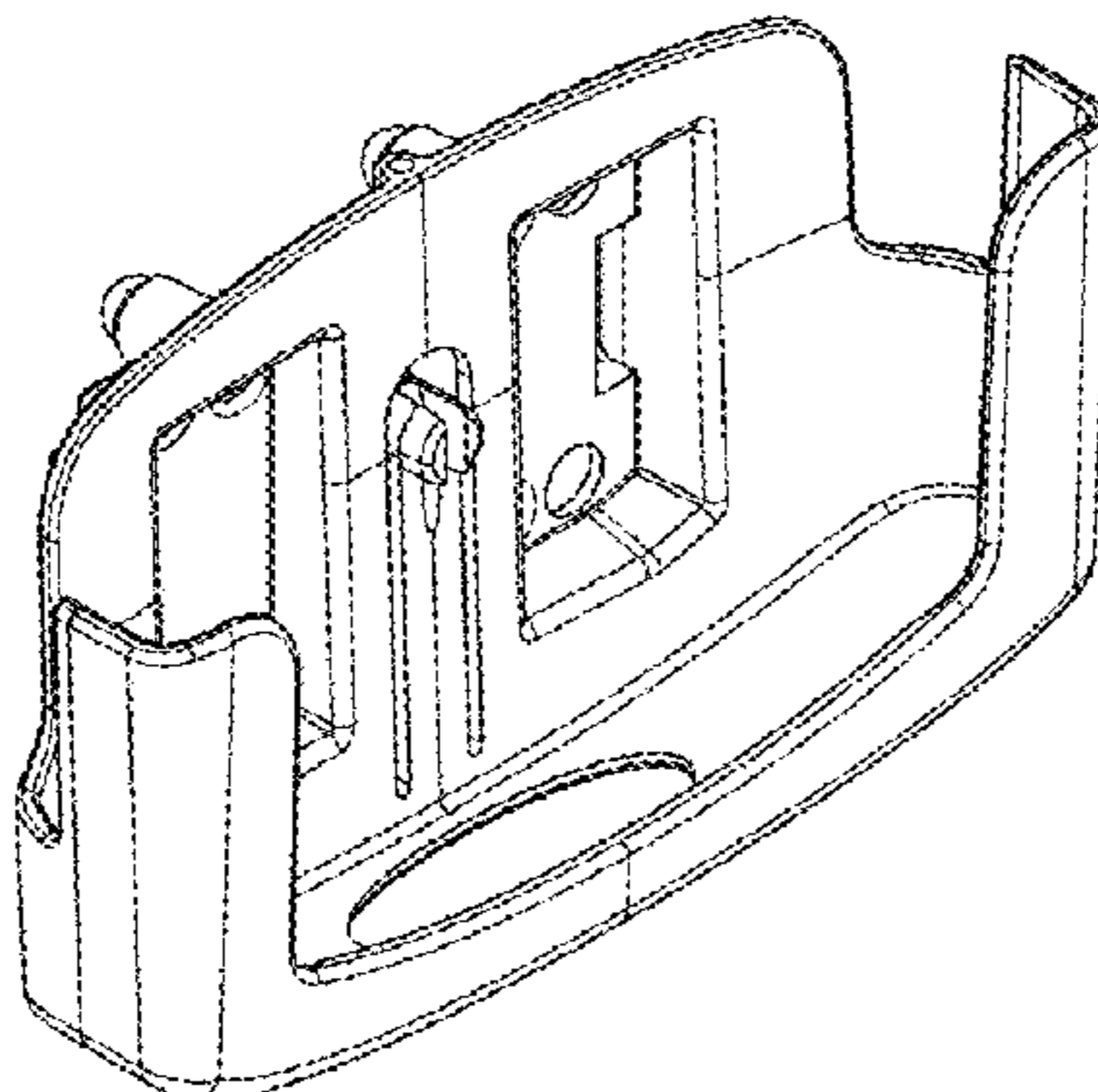
FOREIGN PATENT DOCUMENTS

| | | | | | | |
|----|---------|----|---|--------|-------|--------------|
| EP | 2859873 | A1 | * | 4/2015 | | A61H 9/0078 |
| GB | 2318277 | A | * | 4/1998 | | B60R 11/0258 |
| WO | 9817531 | A1 | * | 4/1998 | | B60R 11/0258 |

Primary Examiner — Ian Simmons

Assistant Examiner — Ieisha Price

(74) *Attorney, Agent, or Firm* — Thomas B. Ryan; Harter
Secret & Emery LLP



(57)

CLAIM

The ornamental design for a mounting bracket, as shown and described.

DESCRIPTION

FIG. 1 is a perspective view of the front, top and left side of the first embodiment of a mounting bracket showing the present design.

FIG. 2 is a perspective view of a back and bottom of FIG. 1.

FIG. 3 is a perspective view of the front, top, and right side of the second embodiment of the mounting bracket showing an environment of two mounting straps.

FIG. 4 is a perspective view of the back, bottom, and right side of FIG. 3.

FIG. 5 is a perspective view of the back and top of FIG. 3.

FIG. 6 is a perspective view of the back, top, and right side of FIG. 3.

FIG. 7 is a perspective view of the front, top, and right side of the second embodiment of FIG. 3 showing an alternative environment of two mounting straps.

FIG. 8 is a perspective view of the back, bottom, and right side of FIG. 7.

FIG. 9 is a perspective view of the back and top of FIG. 7.

FIG. 10 is a perspective view of the back, top, and right side of FIG. 7.

FIG. 11 is a perspective view of the front, top, and right side of the third embodiment of the mounting bracket showing an environment of two elongated mounting straps.

FIG. 12 is a perspective view of the back and bottom of FIG. 11.

FIG. 13 is a perspective view of the back, bottom, and right side of FIG. 11.

FIG. 14 is a perspective view of the back and top of FIG. 11.

FIG. 15 is a perspective view of the top, back, and right side of FIG. 11.

FIG. 16 is a perspective view of the back, top, and right side of FIG. 11.

FIG. 17 is a perspective view of the front, top, and right side of the fourth embodiment of the mounting bracket showing an environment of a L-shaped unlocking pin in broken lines; and,

FIG. 18 is a perspective view of the back and bottom of FIG. 18.

The broken line showing of the mounting straps in FIGS. 3-16 and of the L-shaped unlocking pin in FIGS. 17-18 represents the environment of the claimed design and forms no part thereof.

1 Claim, 9 Drawing Sheets

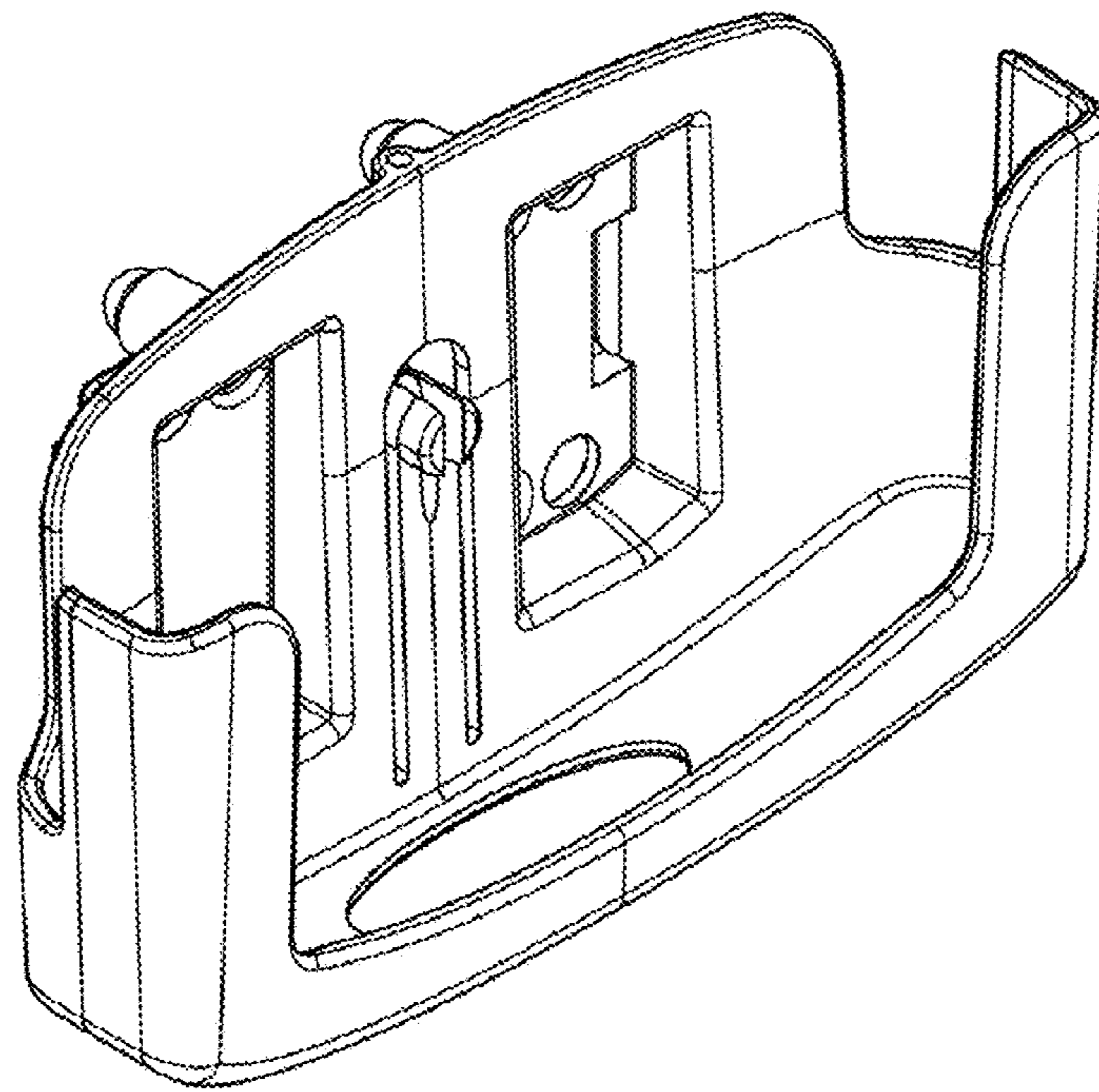


FIG. 1

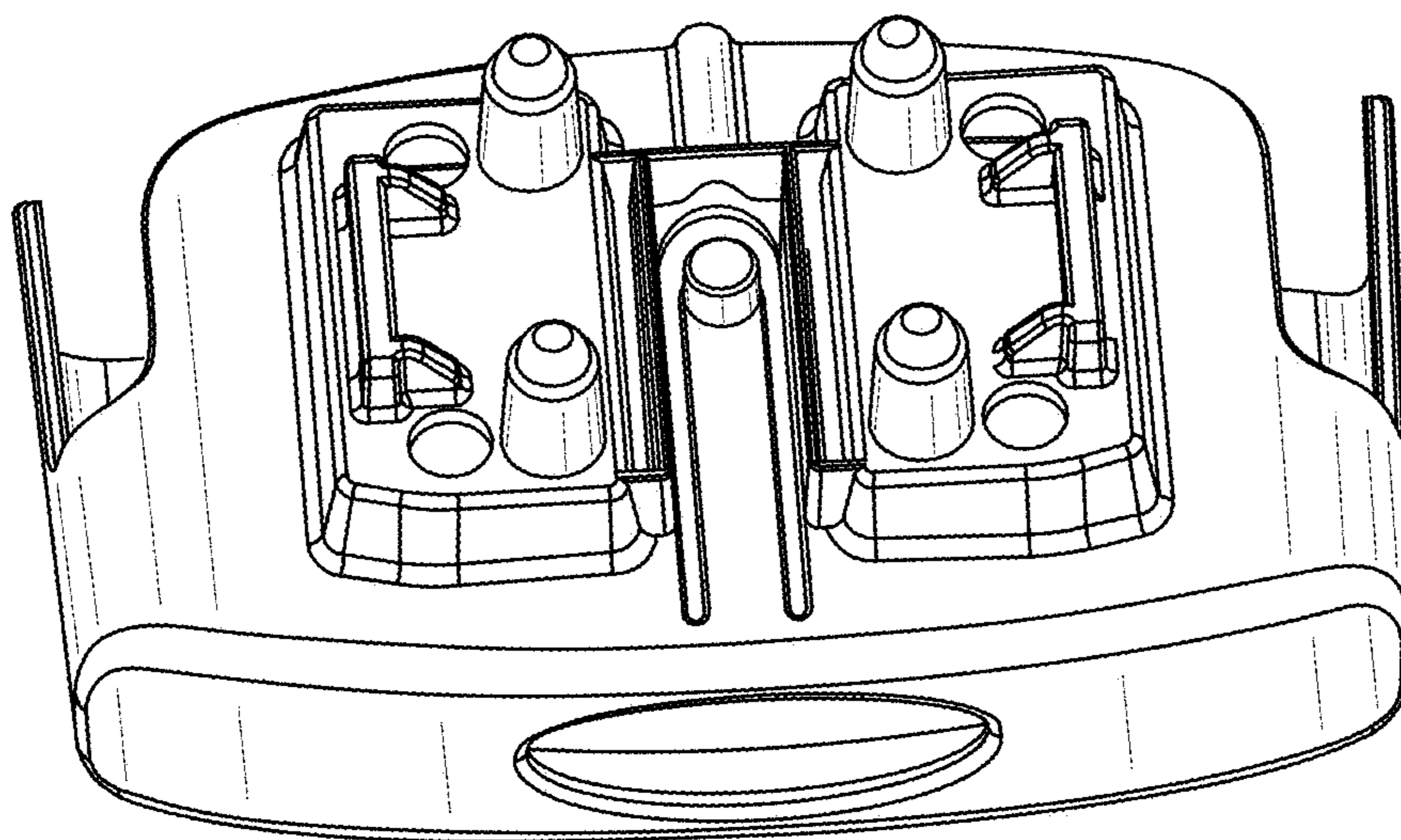


FIG. 2

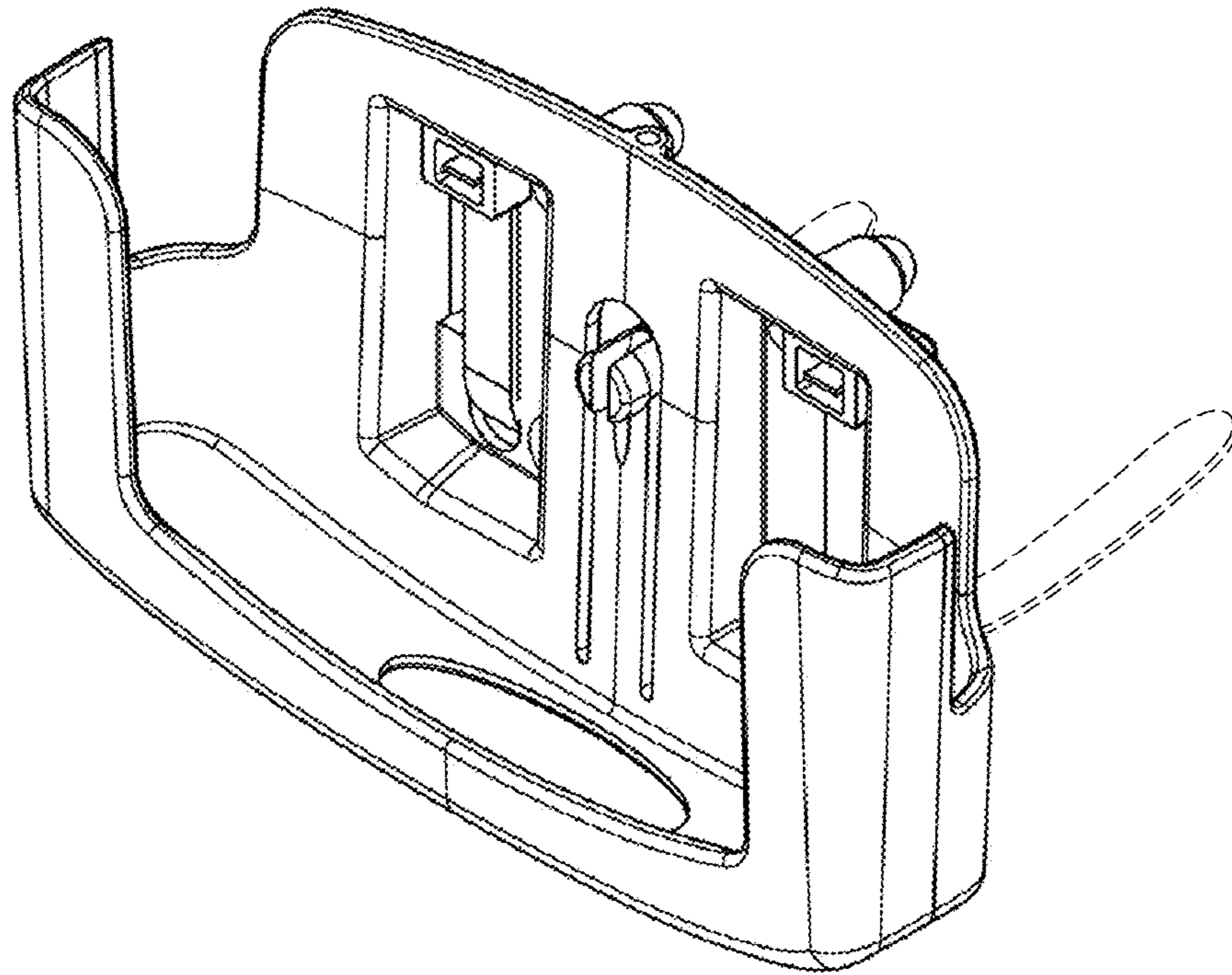


FIG. 3

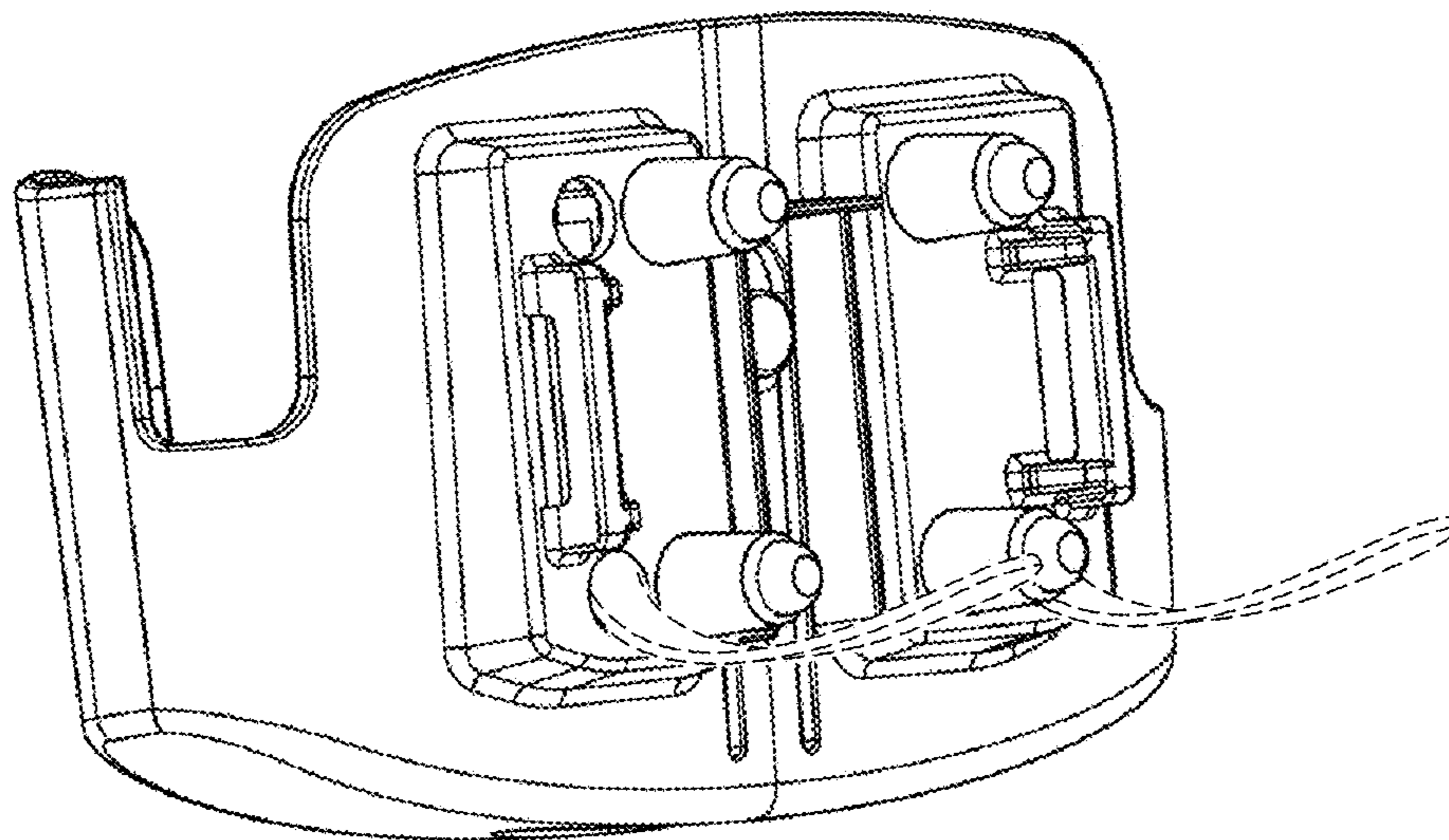


FIG. 4

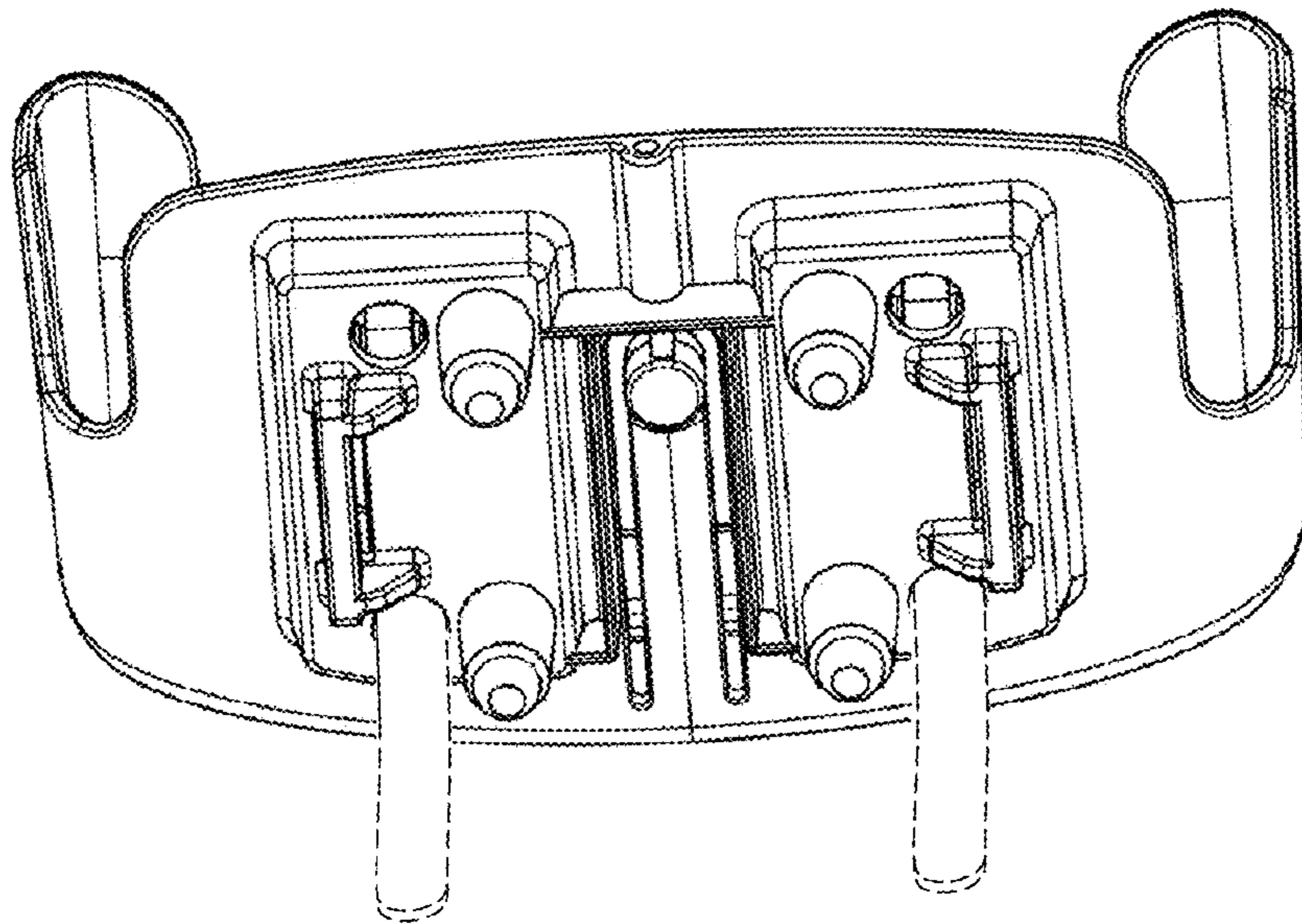


FIG. 5

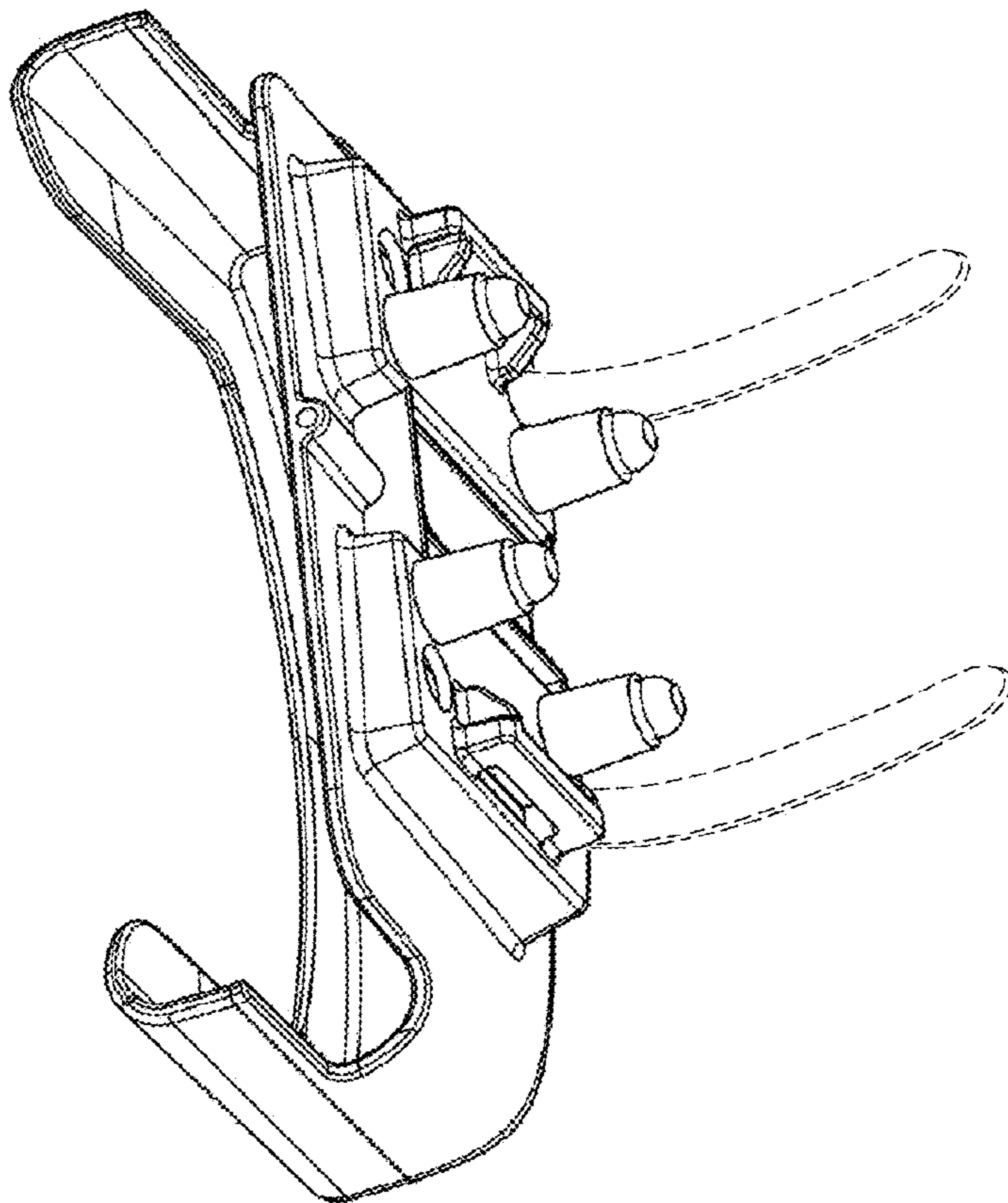


FIG. 6

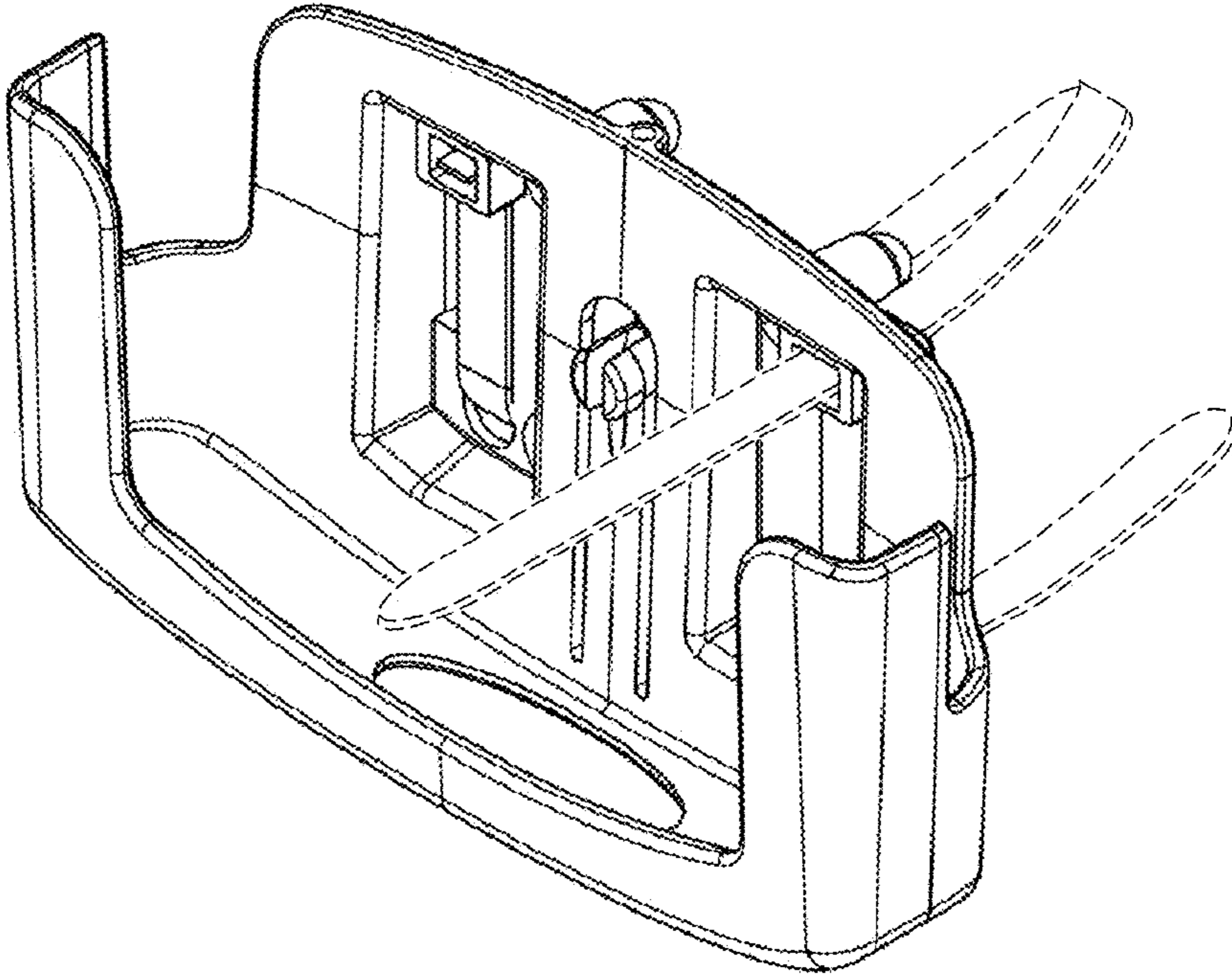


FIG. 7

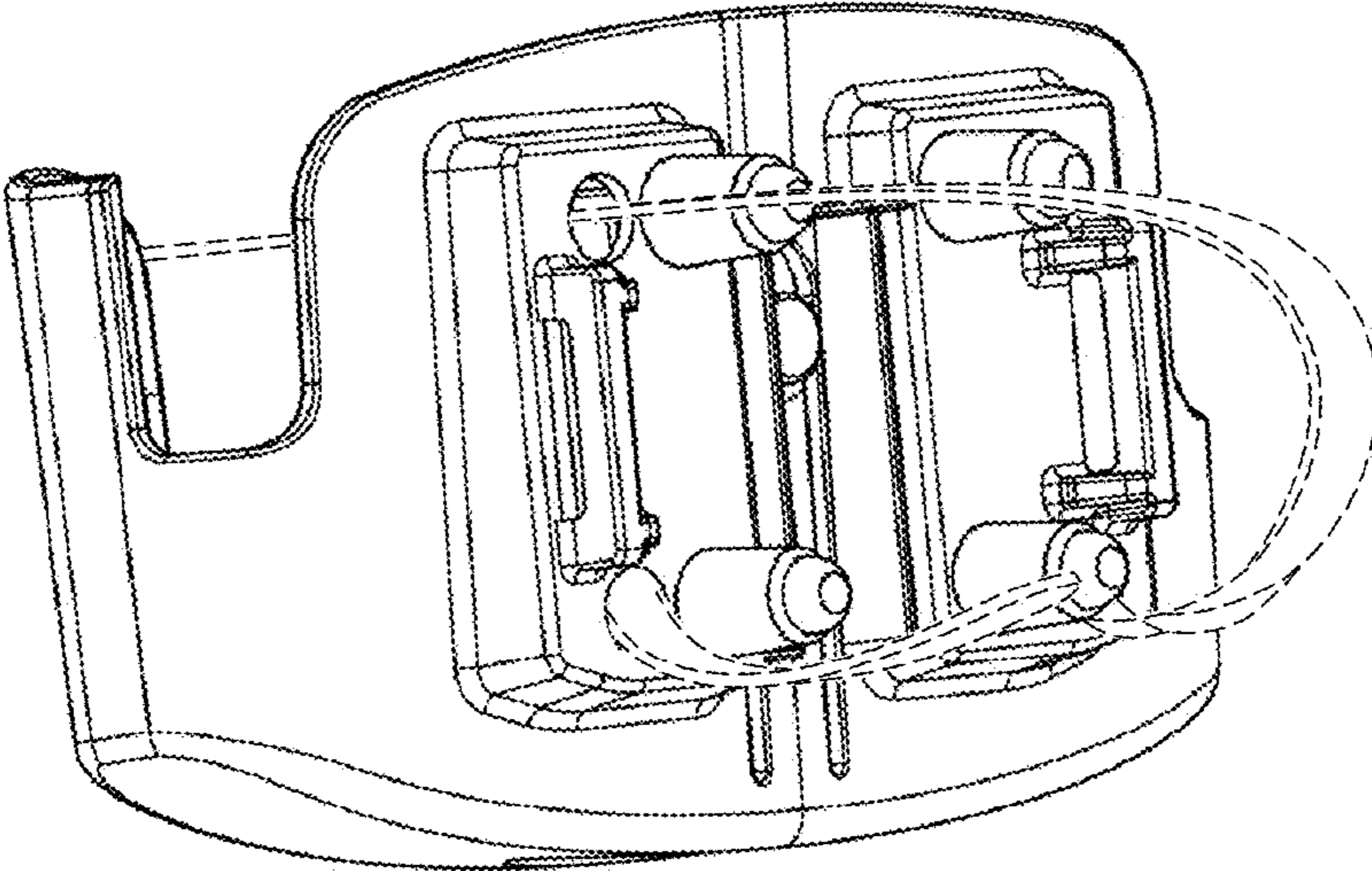


FIG. 8

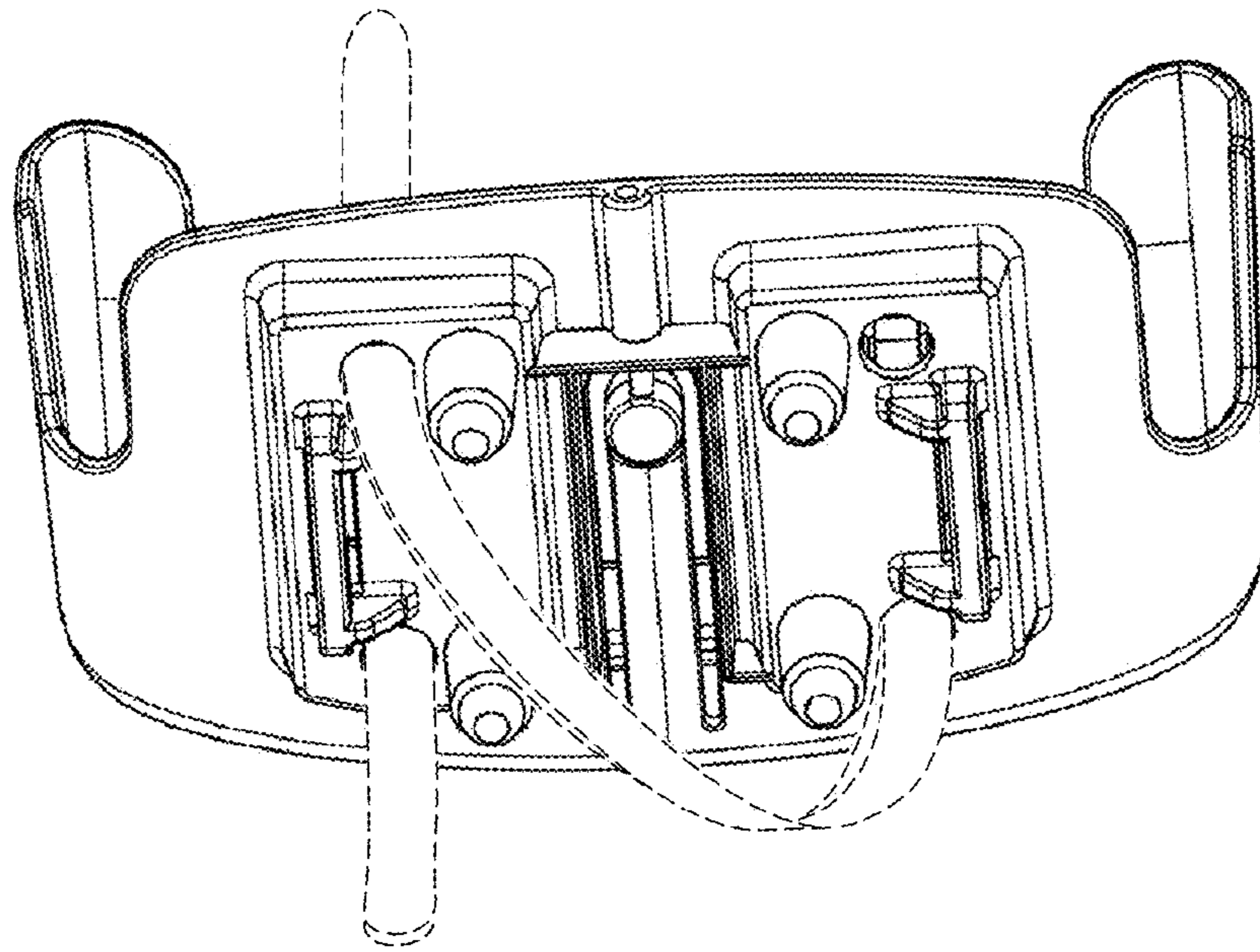


FIG. 9

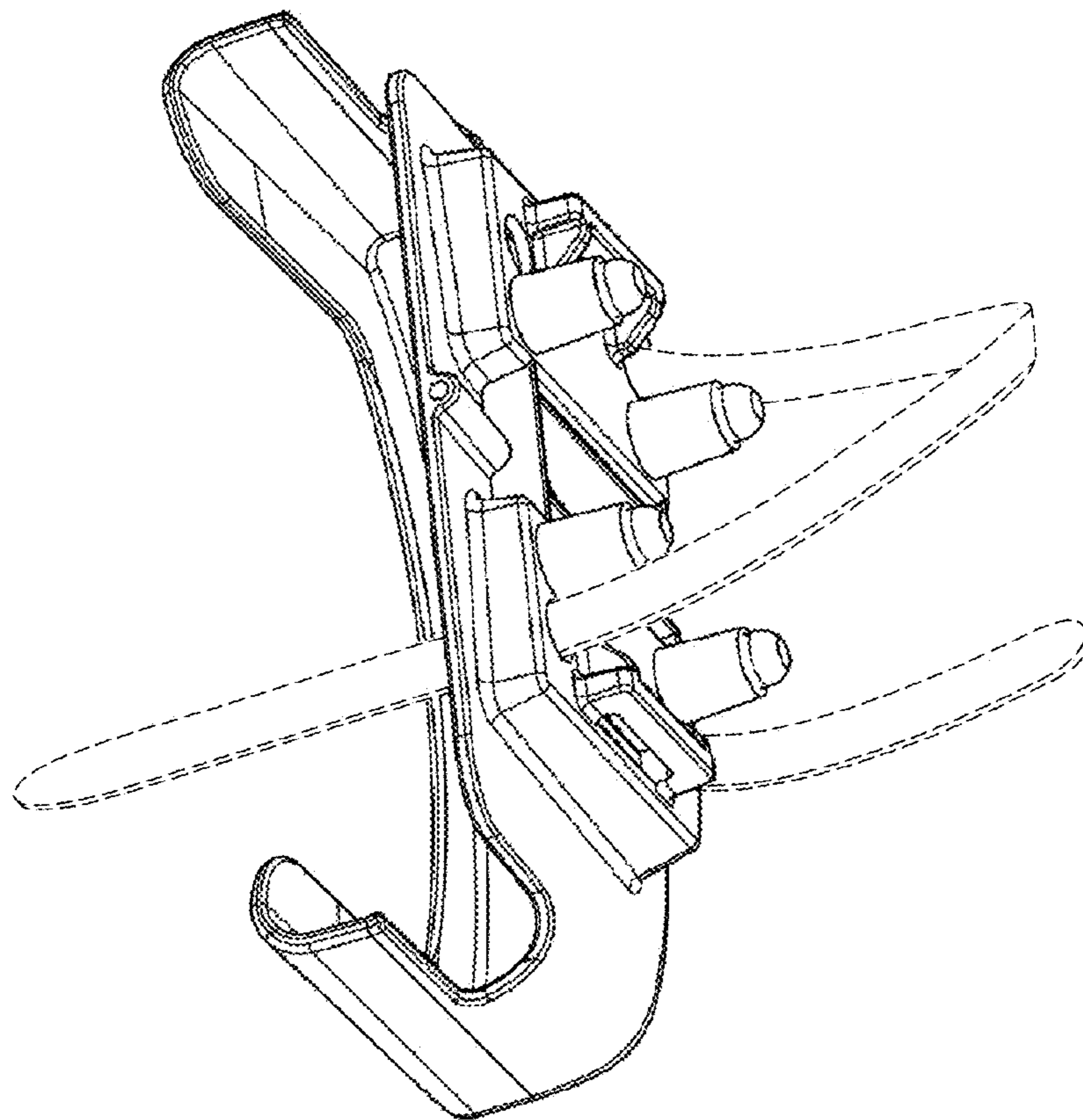


FIG. 10

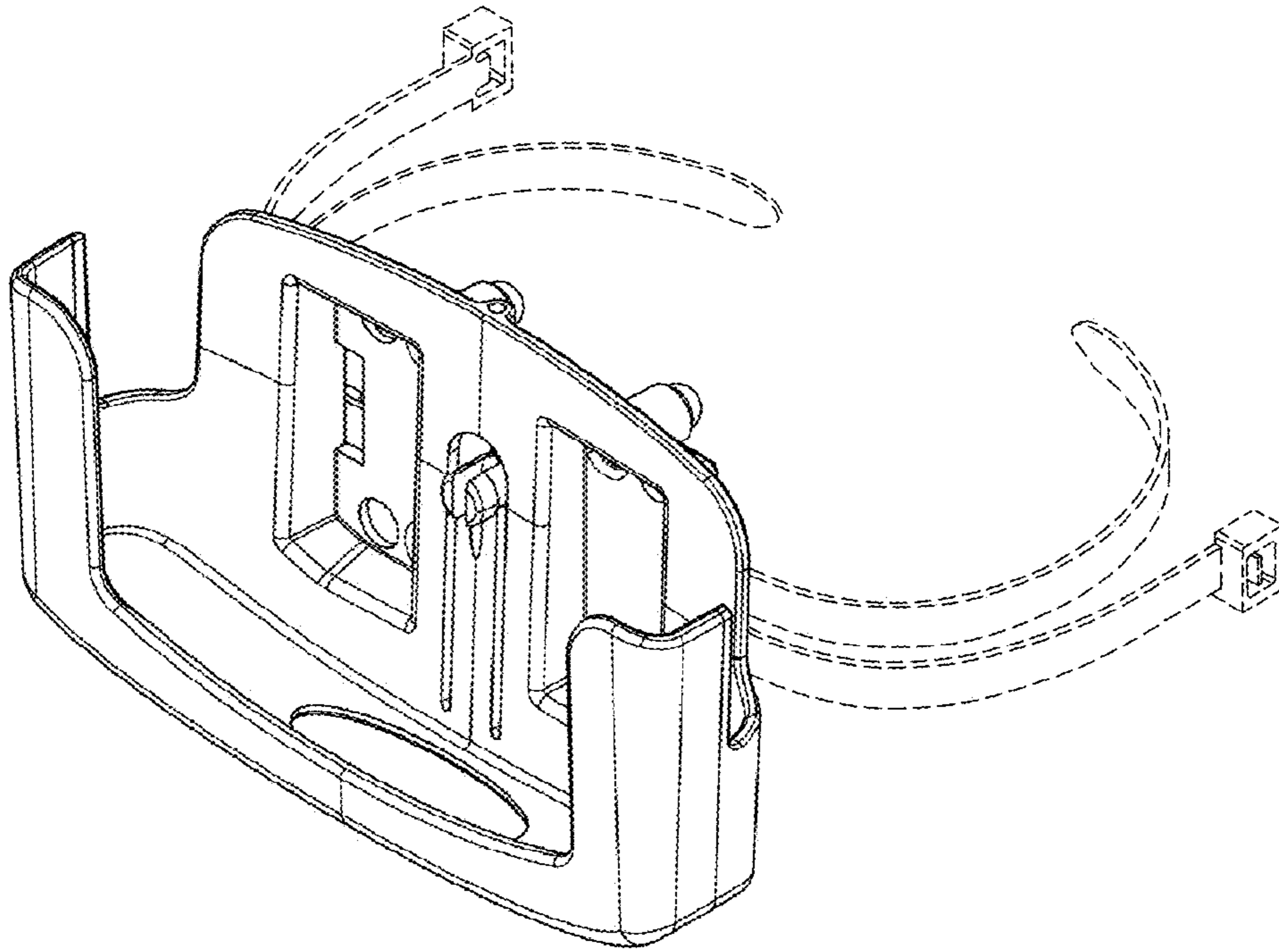


FIG. 11

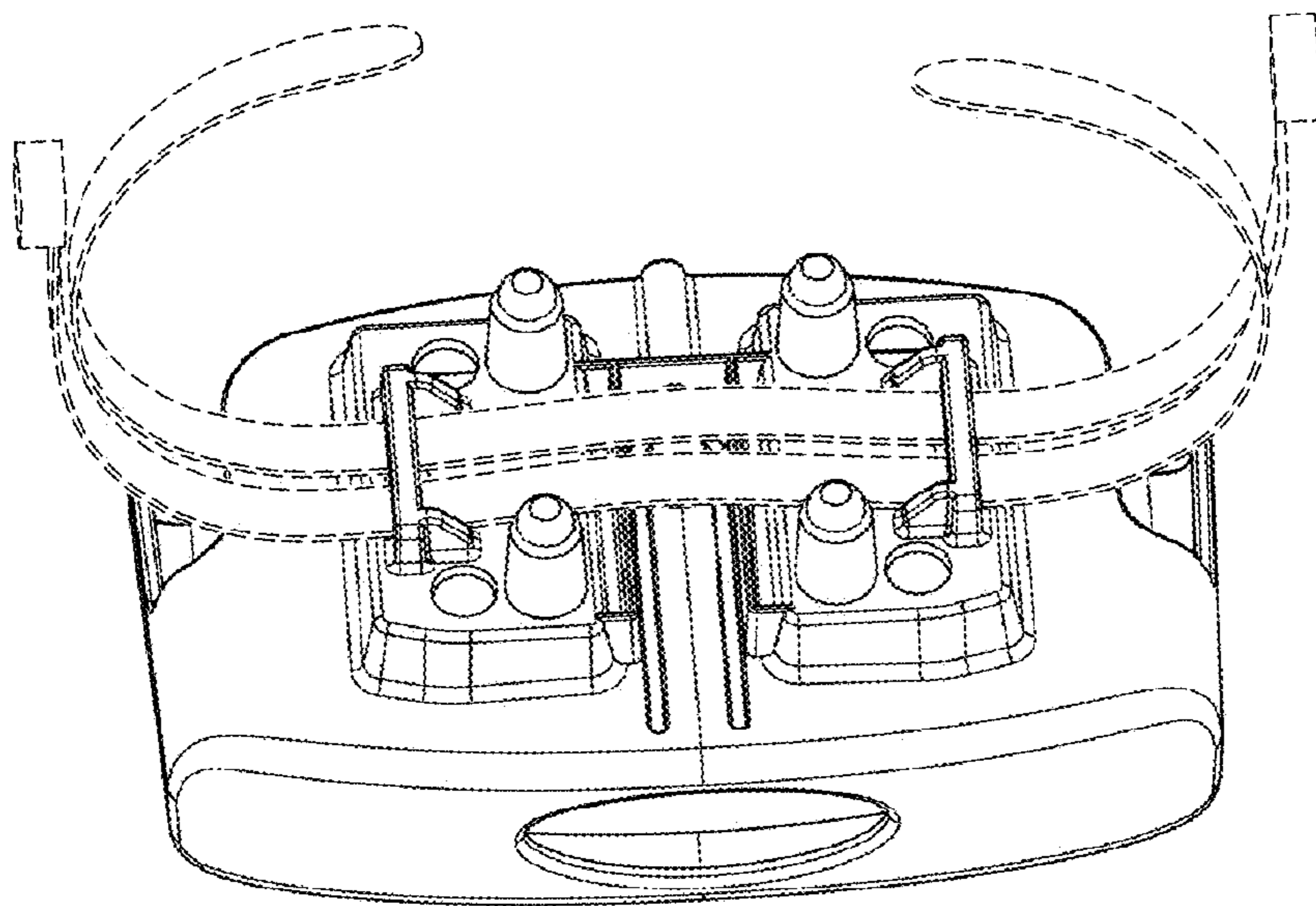


FIG. 12

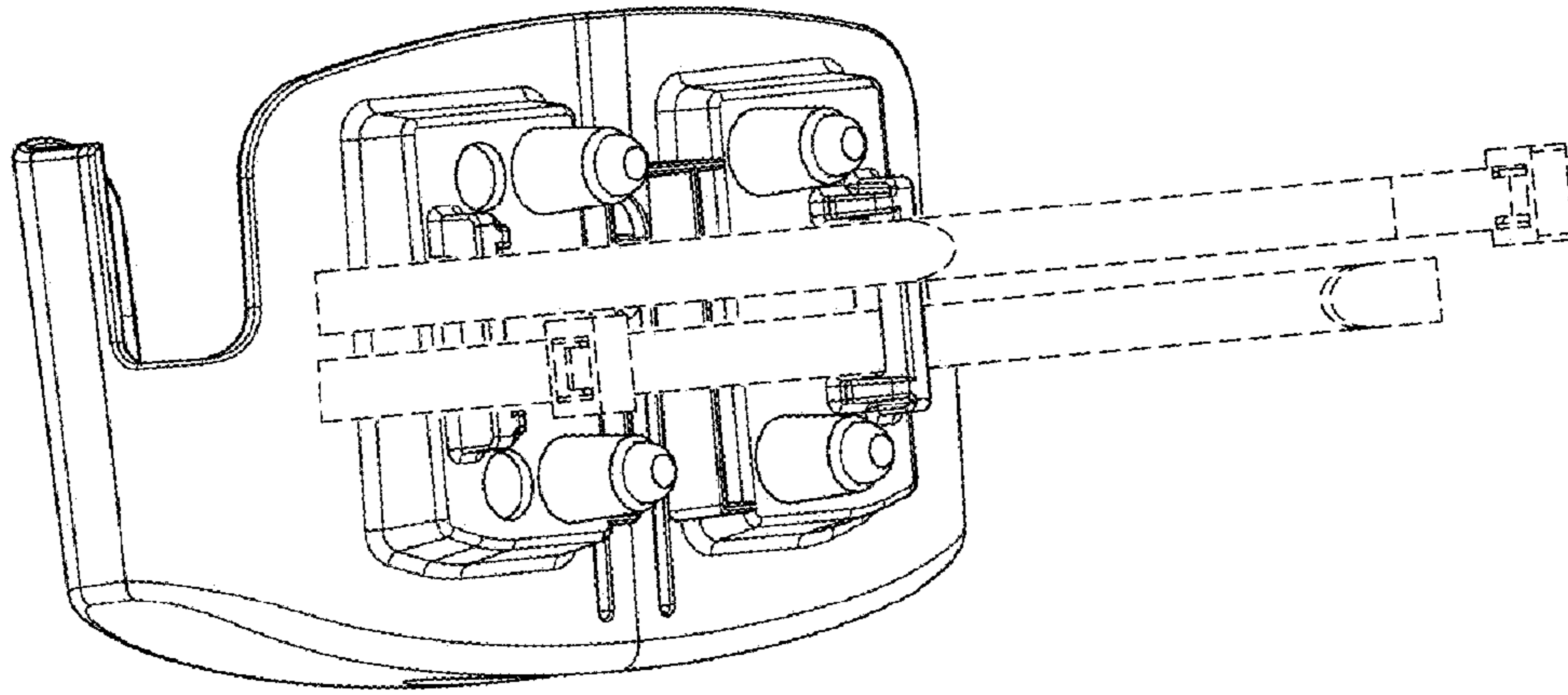


FIG. 13

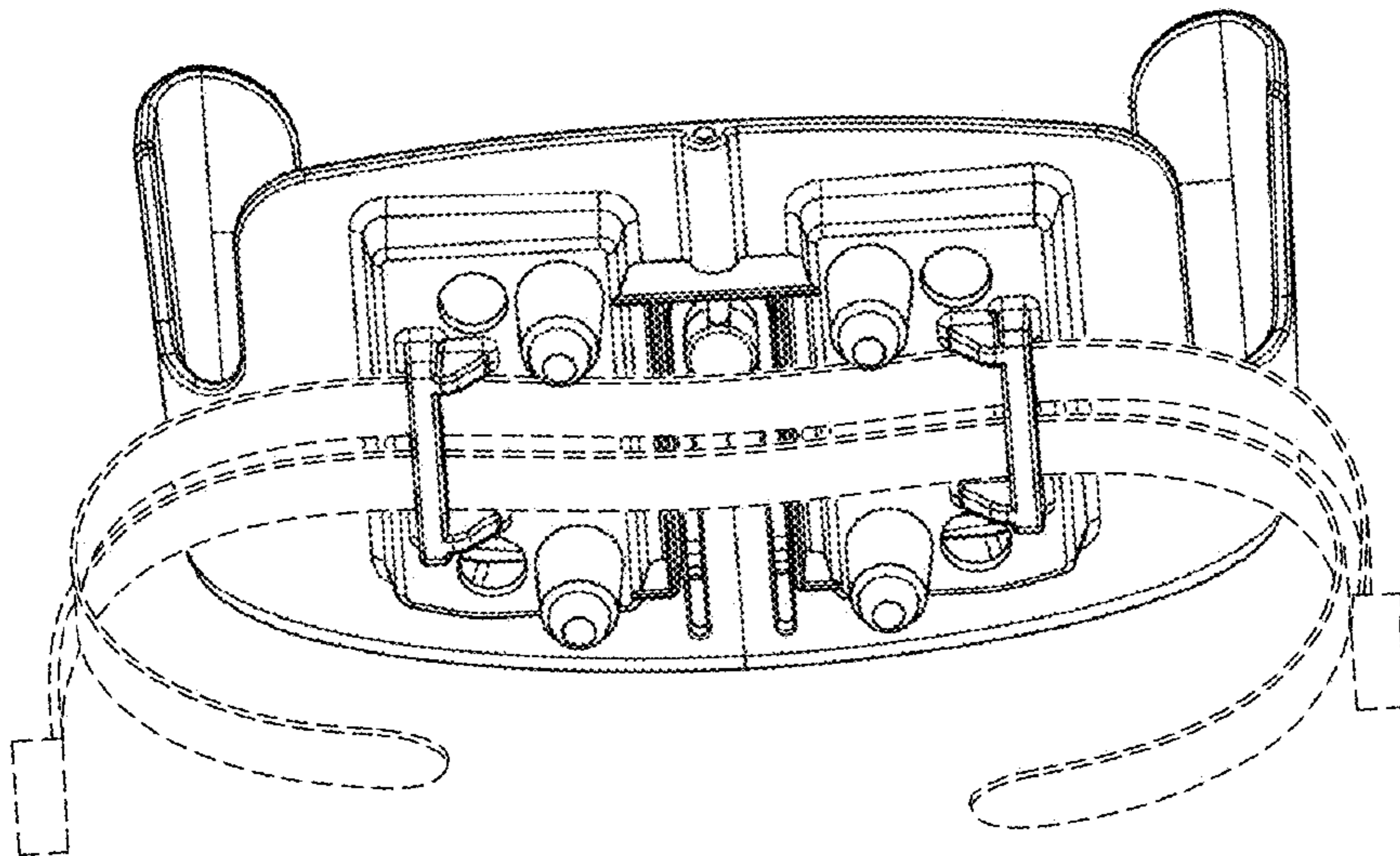


FIG. 14

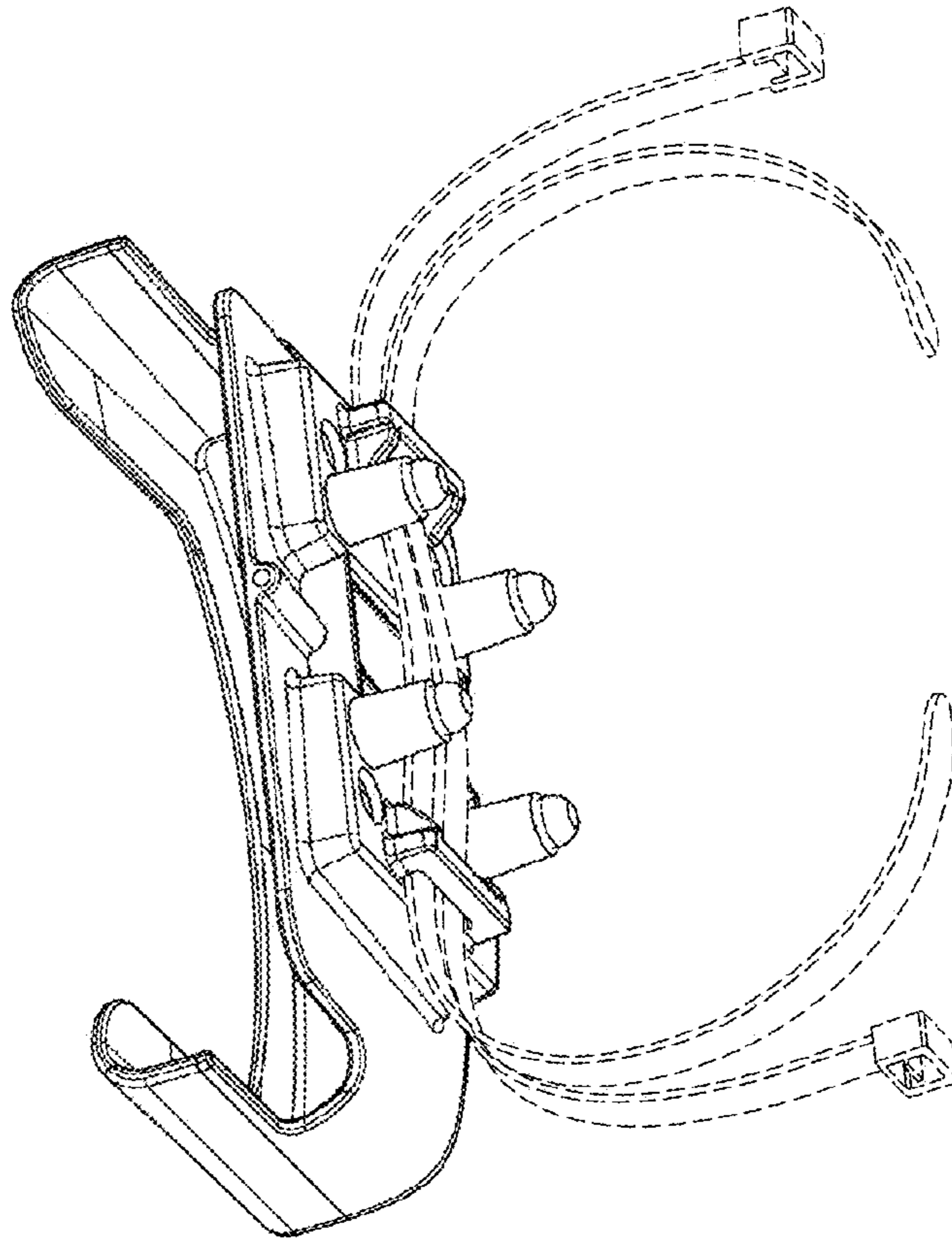


FIG. 15

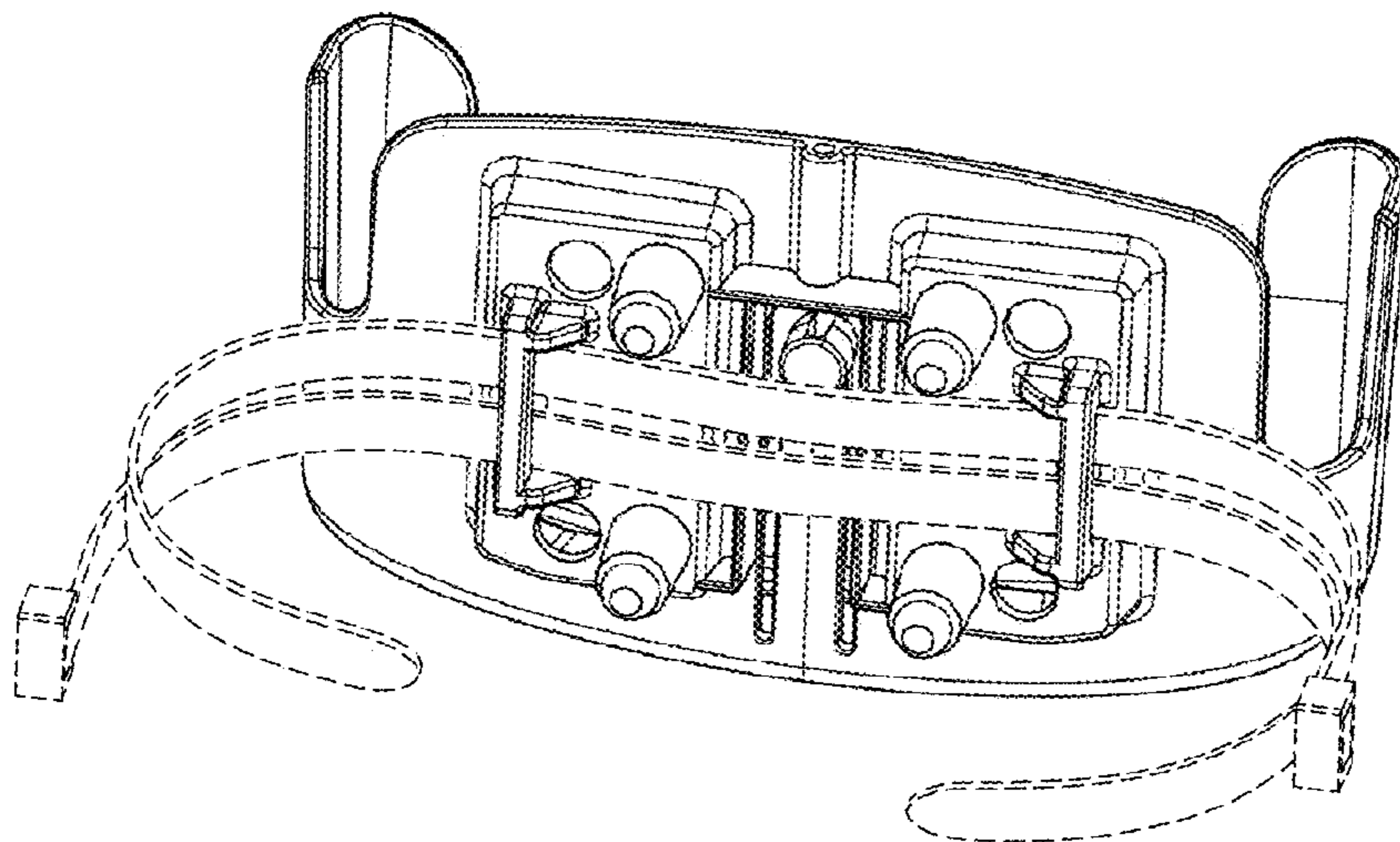


FIG. 16

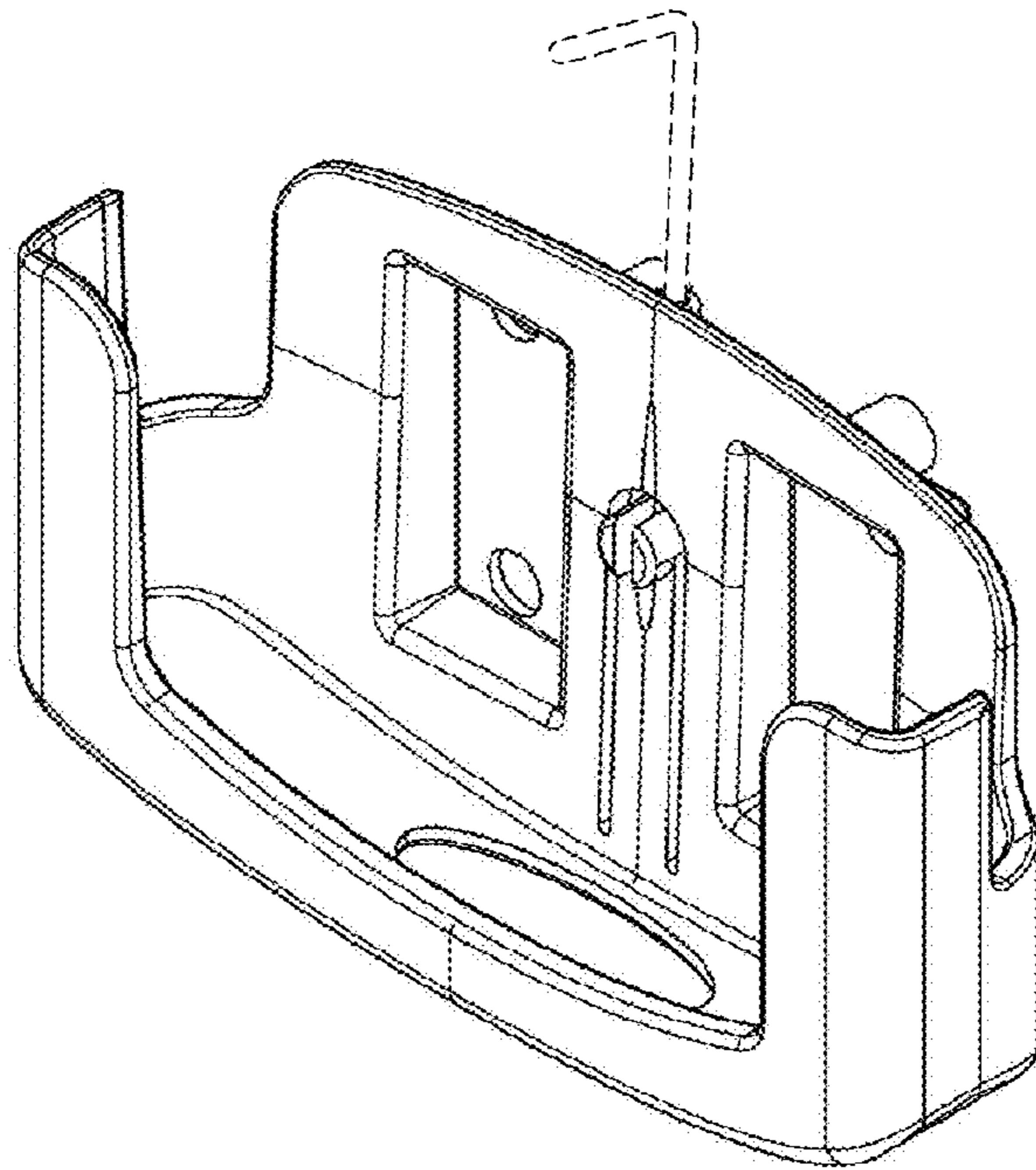


FIG. 17

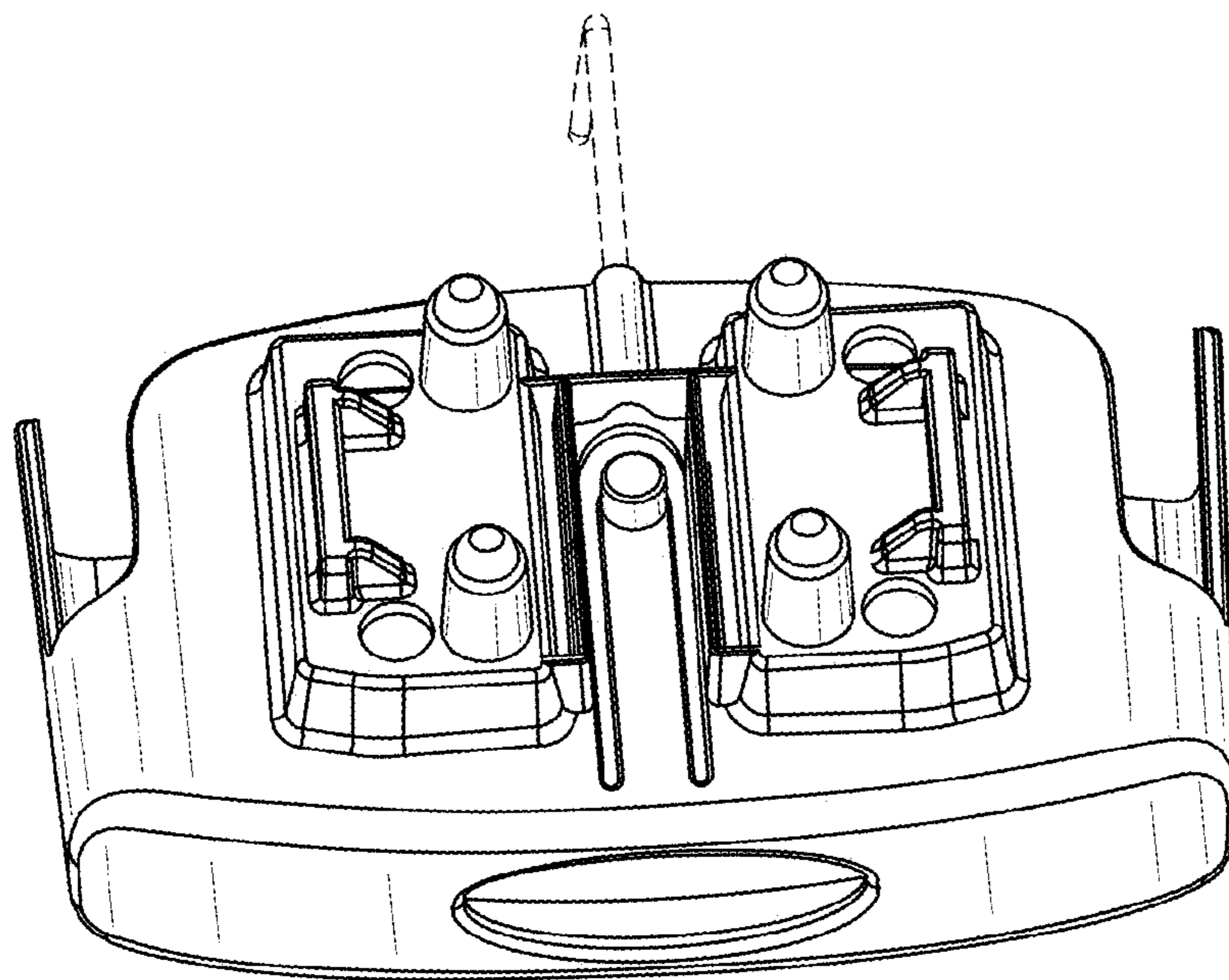


FIG. 18