

US00D767376S

(12) **United States Design Patent**  
**Elliott**

(10) **Patent No.:** **US D767,376 S**

(45) **Date of Patent:** **\*\* Sep. 27, 2016**

(54) **TENSION WHEEL**

(71) Applicant: **SIGNODE INDUSTRIAL GROUP LLC**, Glenview, IL (US)

(72) Inventor: **Dustin D. Elliott**, Grayslake, IL (US)

(73) Assignee: **Signode Industrial Group LLC**, Glenview, IL (US)

(\*\*) Term: **15 Years**

(21) Appl. No.: **29/528,913**

(22) Filed: **Jun. 2, 2015**

(51) **LOC (10) Cl.** ..... **08-05**

(52) **U.S. Cl.**  
USPC ..... **D8/360**

(58) **Field of Classification Search**  
USPC ..... D34/29; D15/148; D8/360, 356, 354, D8/349  
CPC ..... F16H 55/36; F16H 55/52; A63B 21/00  
See application file for complete search history.

(56) **References Cited**

U.S. PATENT DOCUMENTS

- 377,161 A \* 1/1888 Jebb ..... F16H 55/38 474/188
- 2,802,366 A \* 8/1957 Borner ..... B65H 51/06 104/197
- D299,211 S \* 1/1989 Ahlgren ..... 474/188
- 5,417,617 A \* 5/1995 Milton ..... F16H 55/171 474/205
- D381,175 S \* 7/1997 Stoll ..... D34/29
- D498,776 S \* 11/2004 Hu ..... D15/148
- D499,006 S \* 11/2004 Bumgarner ..... D8/360

- D534,788 S \* 1/2007 Stewart ..... D8/360
- D647,118 S \* 10/2011 Parker ..... D15/148
- 8,167,750 B2 \* 5/2012 Hamada ..... F16H 7/12 474/188
- D669,343 S \* 10/2012 Pesch ..... D8/360
- 8,317,642 B2 \* 11/2012 Hartmann ..... F02B 63/04 464/160
- D738,710 S \* 9/2015 Shin ..... D8/360
- D744,010 S \* 11/2015 McCartney ..... D15/28
- 9,320,934 B1 \* 4/2016 Pringle ..... A63B 21/00047

\* cited by examiner

*Primary Examiner* — Cynthia Underwood

(74) *Attorney, Agent, or Firm* — Levenfeld Pearlstein, LLC

(57) **CLAIM**

The ornamental design for a tension wheel, as shown and described.

**DESCRIPTION**

FIG. 1 is a top front perspective view of a tension wheel embodying my new design;  
 FIG. 2 is a front view thereof, a rear view being identical thereto;  
 FIG. 3 is a left -hand side view as seen from FIG. 2, a right-hand side view being a mirror image thereof;  
 FIG. 4 is an enlarged perspective view taken from line 4-4 of FIG. 1 and shown broken away for ease of illustration; and,  
 FIG. 5 is side view taken along line 5-5 of FIG. 4 illustrating the teeth on the wheel.  
 The portions of the wheel inward of the periphery being shown in phantom lines form no part of the claimed design.

**1 Claim, 4 Drawing Sheets**

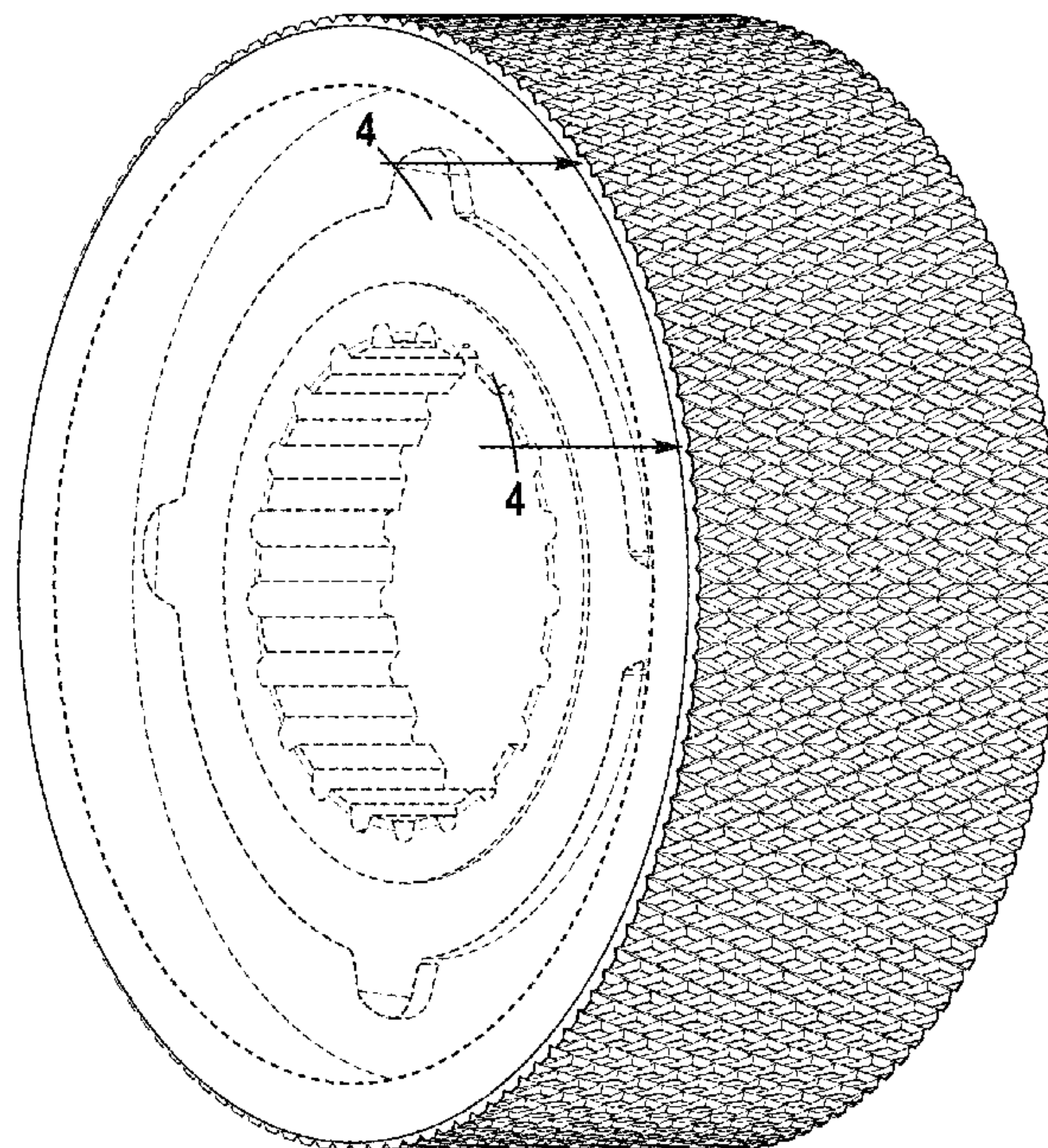


Fig. 1

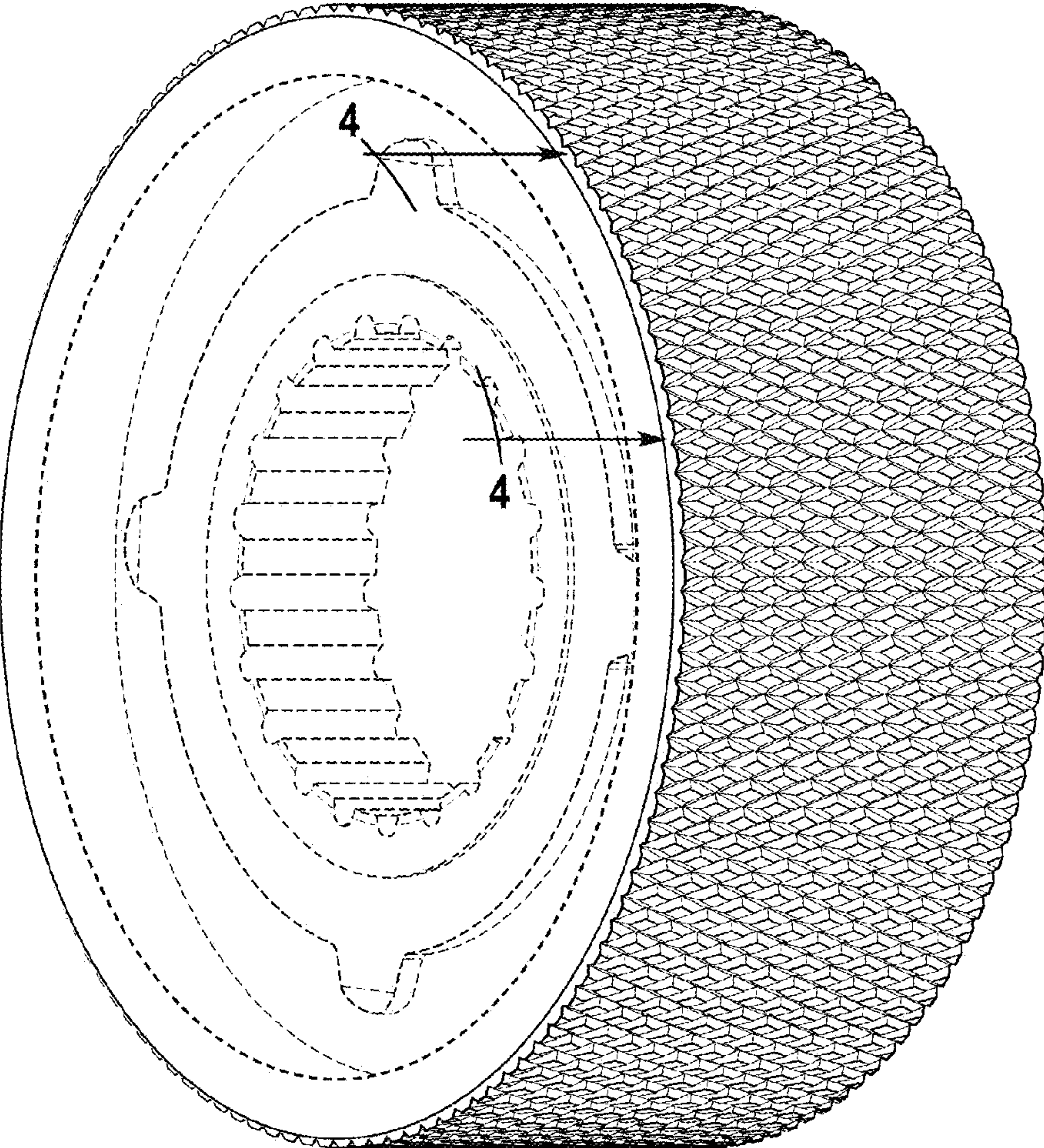




Fig. 2

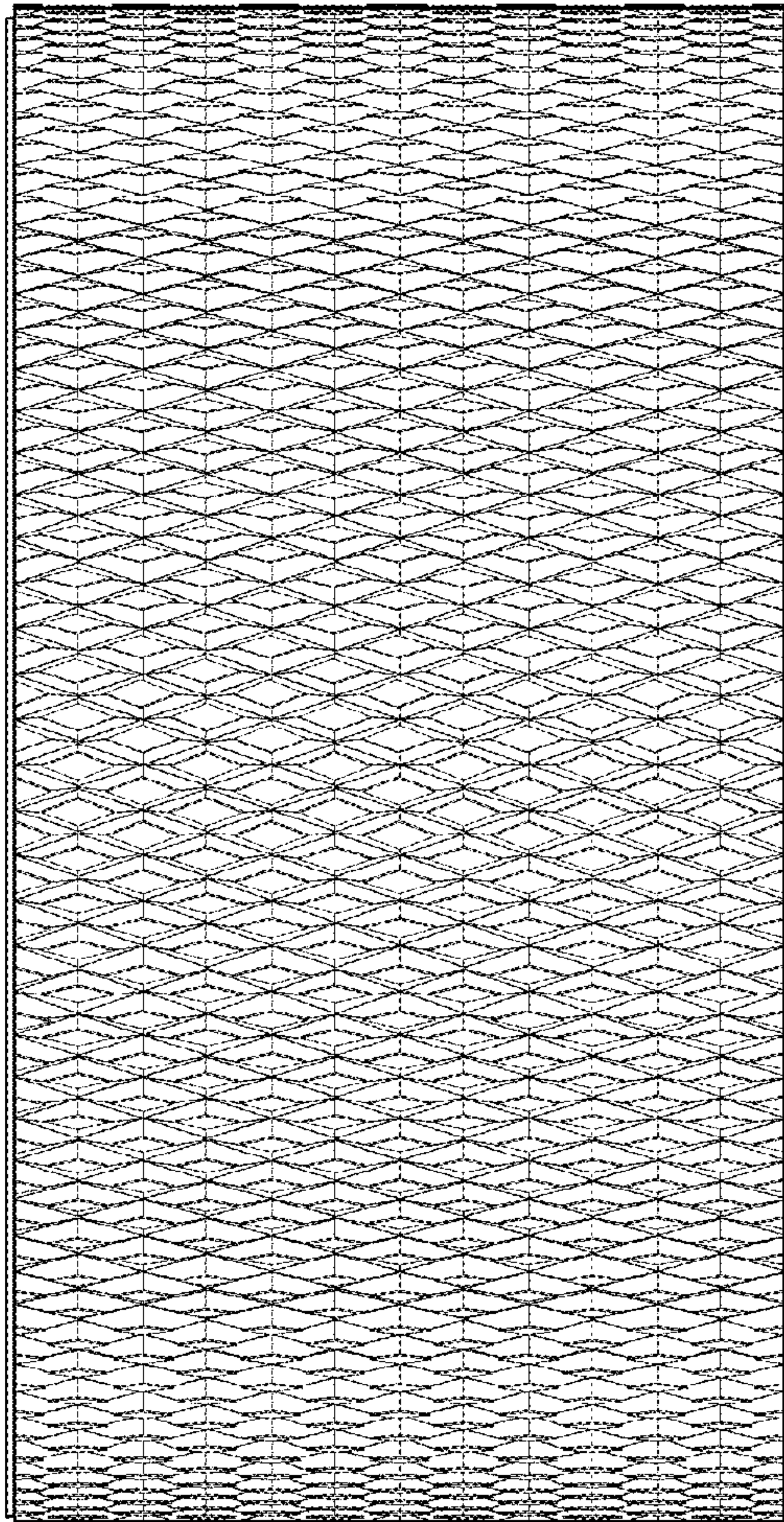


Fig. 3

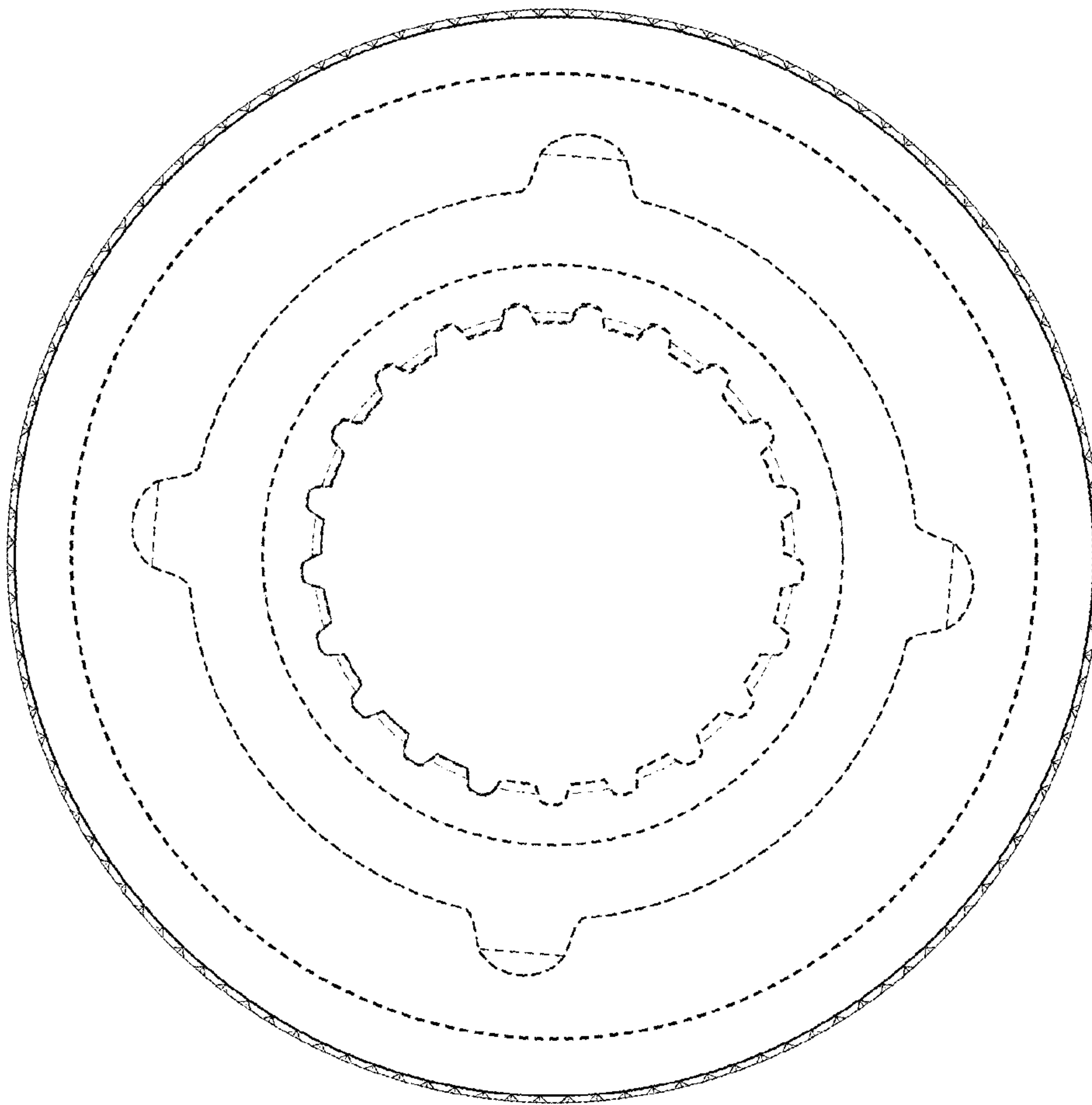


Fig. 4

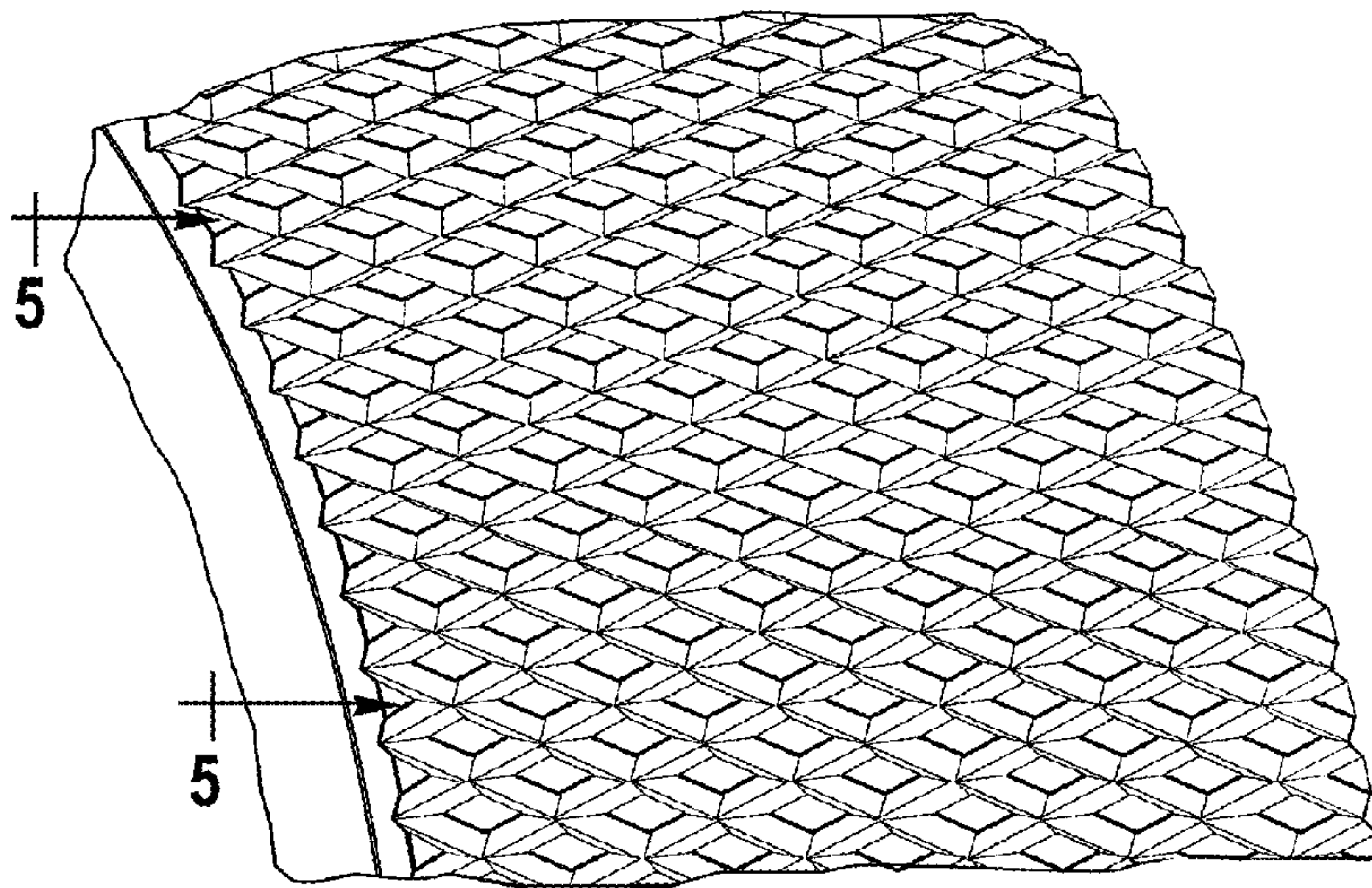


Fig. 5

