

US00D767375S

(12) **United States Design Patent**
Nakano et al.

(10) **Patent No.:** **US D767,375 S**

(45) **Date of Patent:** **** Sep. 27, 2016**

(54) **SHAFT COUPLING**

(71) Applicant: **Miki Pulley Co., Ltd.**, Kanagawa (JP)

(72) Inventors: **Etsuo Nakano**, Zama (JP); **Satoshi Kinoshita**, Ebina (JP)

(73) Assignee: **Miki Pulley Co., Ltd.**, Kawasaki-shi, Kanagawa (JP)

(**) Term: **14 Years**

(21) Appl. No.: **29/525,078**

(22) Filed: **Apr. 27, 2015**

(30) **Foreign Application Priority Data**

Oct. 28, 2014 (JP) 2014-024065

(51) **LOC (10) Cl.** **08-05**

(52) **U.S. Cl.**
USPC **D8/360**

(58) **Field of Classification Search**
USPC D34/29; D15/148; D8/360, 356, 354, D8/349
CPC F16H 55/36; F16H 55/52; A63B 21/00
See application file for complete search history.

(56) **References Cited**

U.S. PATENT DOCUMENTS

- 377,161 A * 1/1888 Jebb F16H 55/38
474/188
- D62,960 S * 8/1923 Pettibone D6/710
- 2,802,366 A * 8/1957 Borner B65H 51/06
104/197
- D228,118 S * 8/1973 Kitson D12/209
- D299,211 S * 1/1989 Ahlgren 474/188
- D313,932 S * 1/1991 Kanemitsu D8/360
- D317,709 S * 6/1991 Kanemitsu D8/360
- D333,606 S * 3/1993 Kanemitsu D8/360
- 5,417,617 A * 5/1995 Milton F16H 55/171
474/205
- D381,175 S * 7/1997 Stoll D34/29
- D499,006 S * 11/2004 Bumgarner D8/360

- D534,788 S * 1/2007 Stewart D8/360
- D647,118 S * 10/2011 Parker D15/148
- 8,167,750 B2 * 5/2012 Hamada F16H 7/12
474/188
- D669,343 S * 10/2012 Pesch D8/360
- 8,317,642 B2 * 11/2012 Hartmann F02B 63/04
464/160

(Continued)

OTHER PUBLICATIONS

Design U.S. Appl. No. 29/525,052, filed Apr. 27, 2015.

(Continued)

Primary Examiner — Cynthia Underwood

(74) *Attorney, Agent, or Firm* — Marshall & Melhorn, LLC

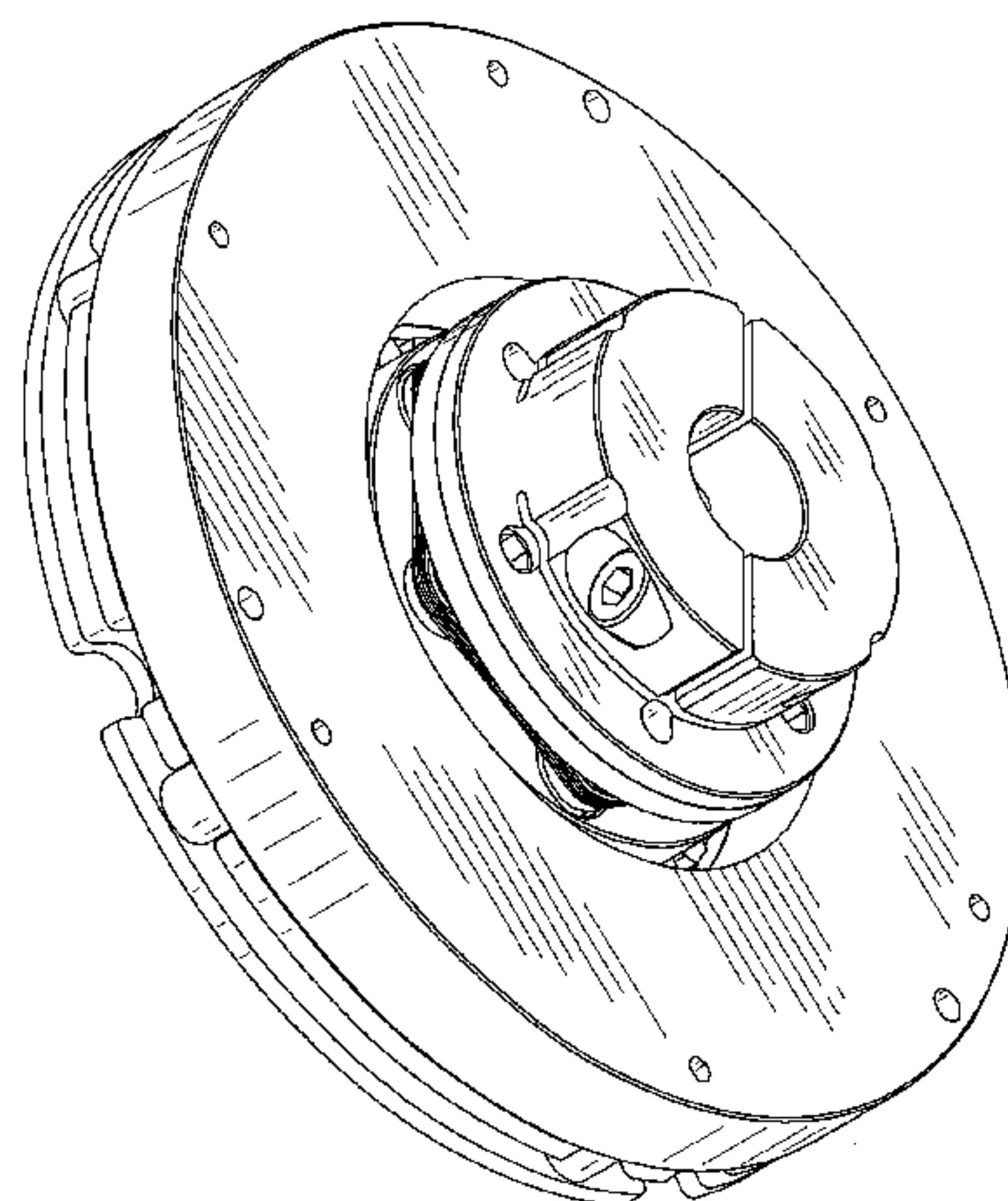
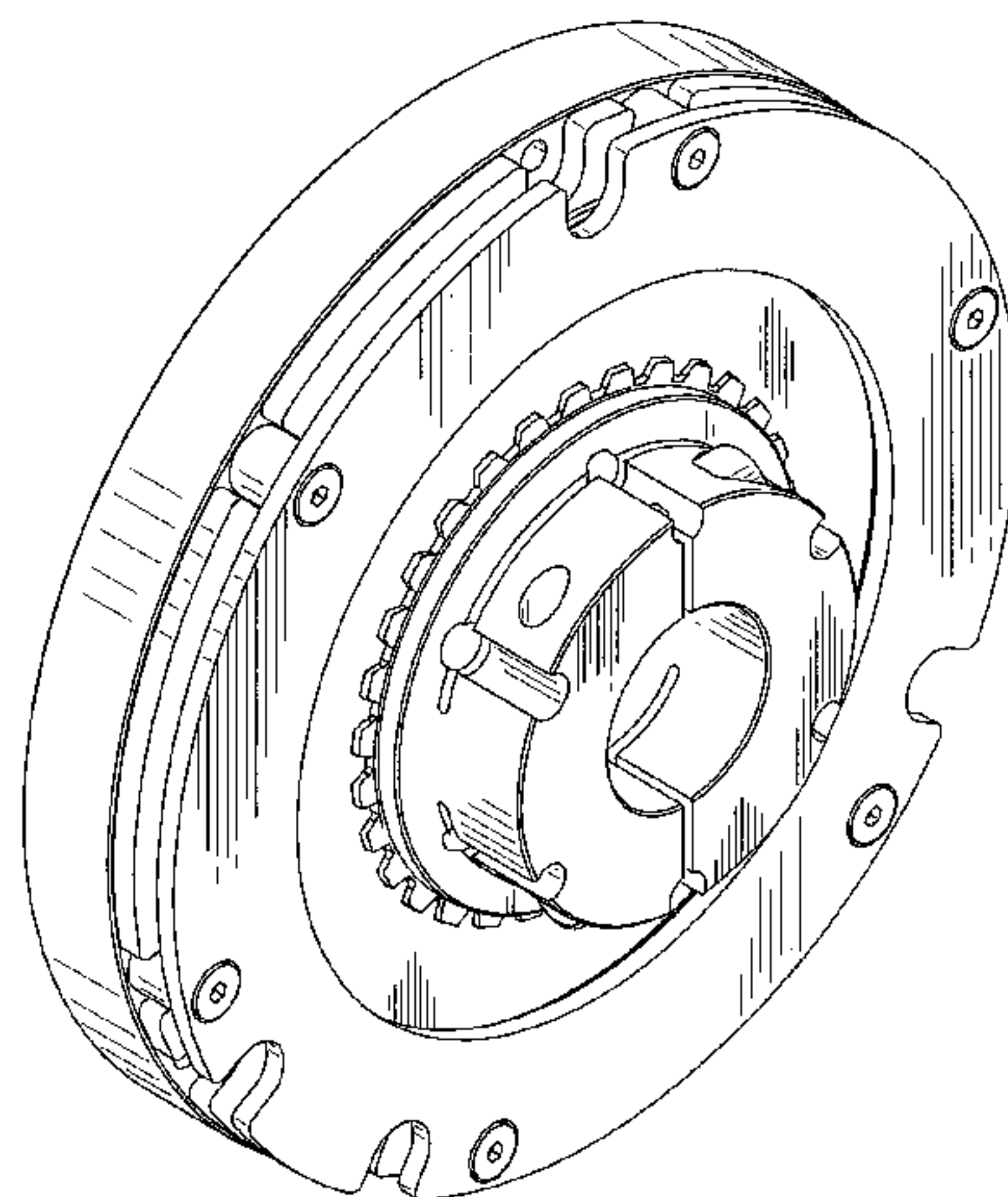
(57) **CLAIM**

The ornamental design for a shaft coupling, as shown and described.

DESCRIPTION

FIG. 1 is an upper front perspective view of a shaft coupling;
 FIG. 2 is a lower back perspective view thereof;
 FIG. 3 is a front view thereof;
 FIG. 4 is a back view thereof;
 FIG. 5 is a left side view thereof;
 FIG. 6 is a right side view thereof;
 FIG. 7 is a top view thereof;
 FIG. 8 is a bottom view thereof;
 FIG. 9 is a schematic cross-sectional view thereof taken along line 9-9 in FIG. 3;
 FIG. 10 is a schematic cross-sectional view thereof taken along line 10-10 in FIG. 3;
 FIG. 11 is a schematic cross-sectional view thereof taken along line 11-11 in FIG. 3;
 FIG. 12 is a schematic cross-sectional view thereof taken along line 12-12 in FIG. 7; and,
 FIG. 13 is an upper front perspective view showing the shaft coupling in a state of use in which two shafts connected by the shaft coupling are shown by broken line for illustrative purpose only and form no part of the claimed design.

1 Claim, 13 Drawing Sheets



(56)

References Cited

OTHER PUBLICATIONS

U.S. PATENT DOCUMENTS

D738,710 S * 9/2015 Shin D8/360
D744,010 S * 11/2015 McCartney D15/28
9,320,934 B1 * 4/2016 Pringle A63B 21/00047

Design U.S. Appl. No. 29/525,055, filed Apr. 27, 2015.

* cited by examiner

Fig.1

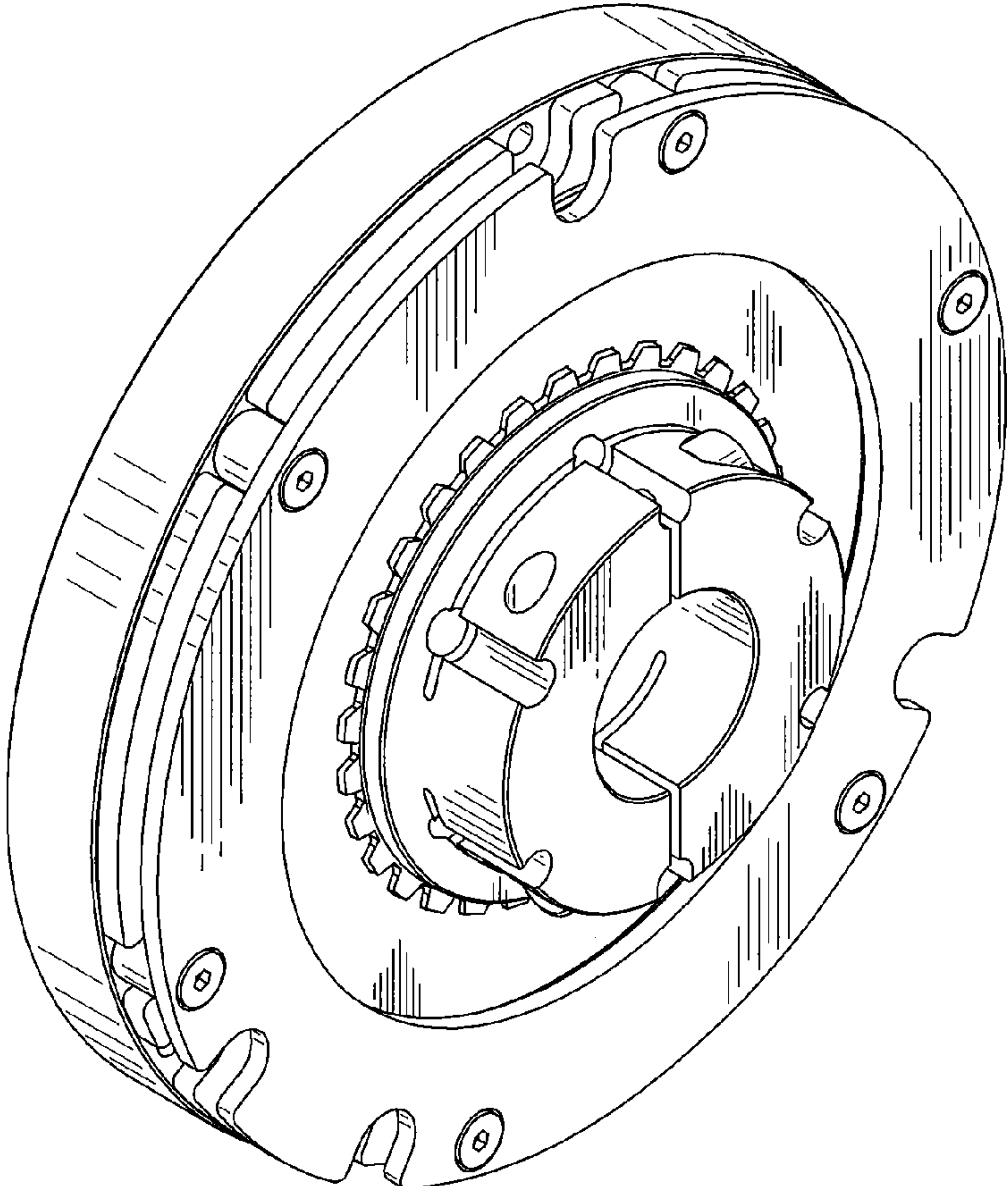


Fig.2

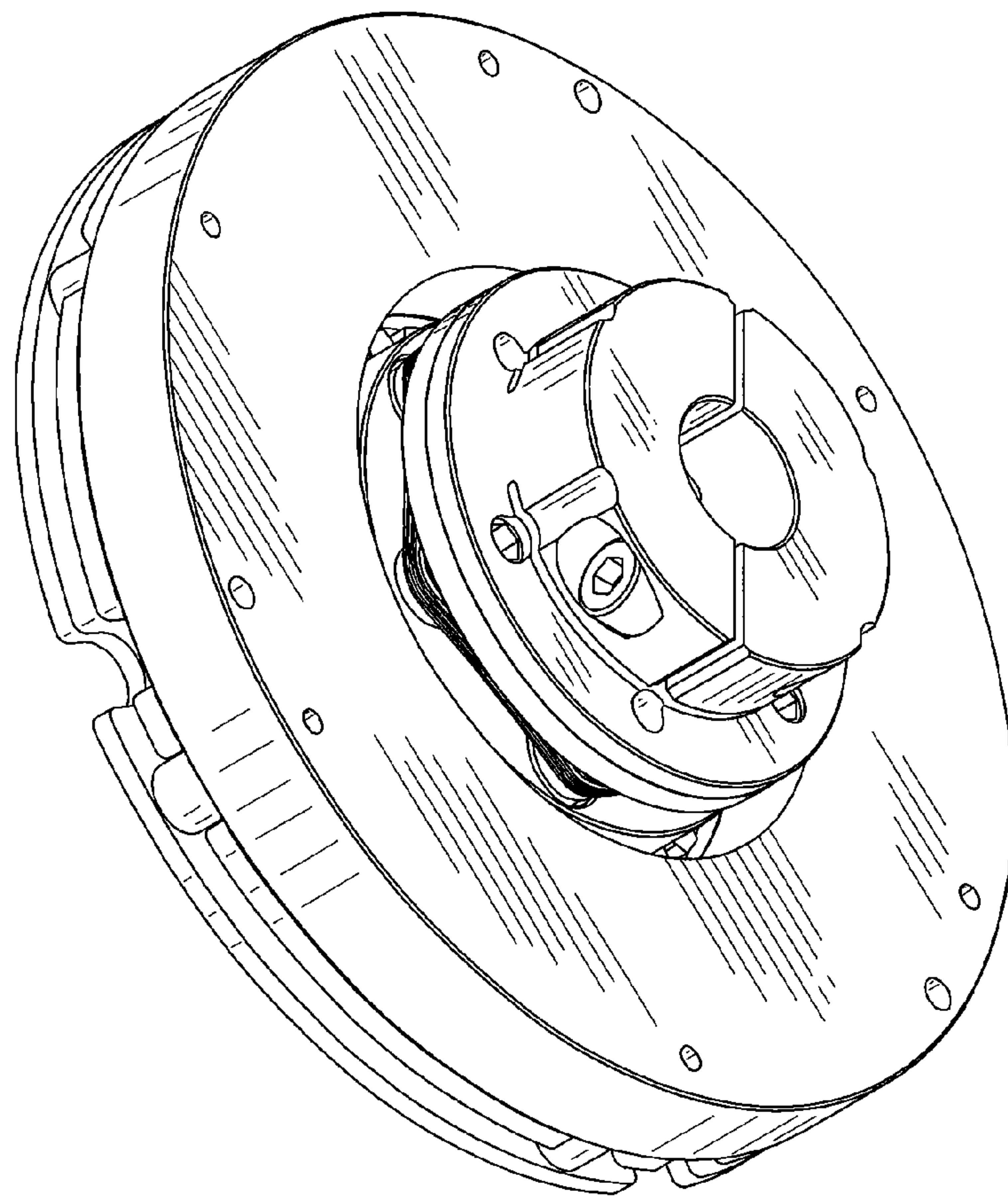


Fig.3

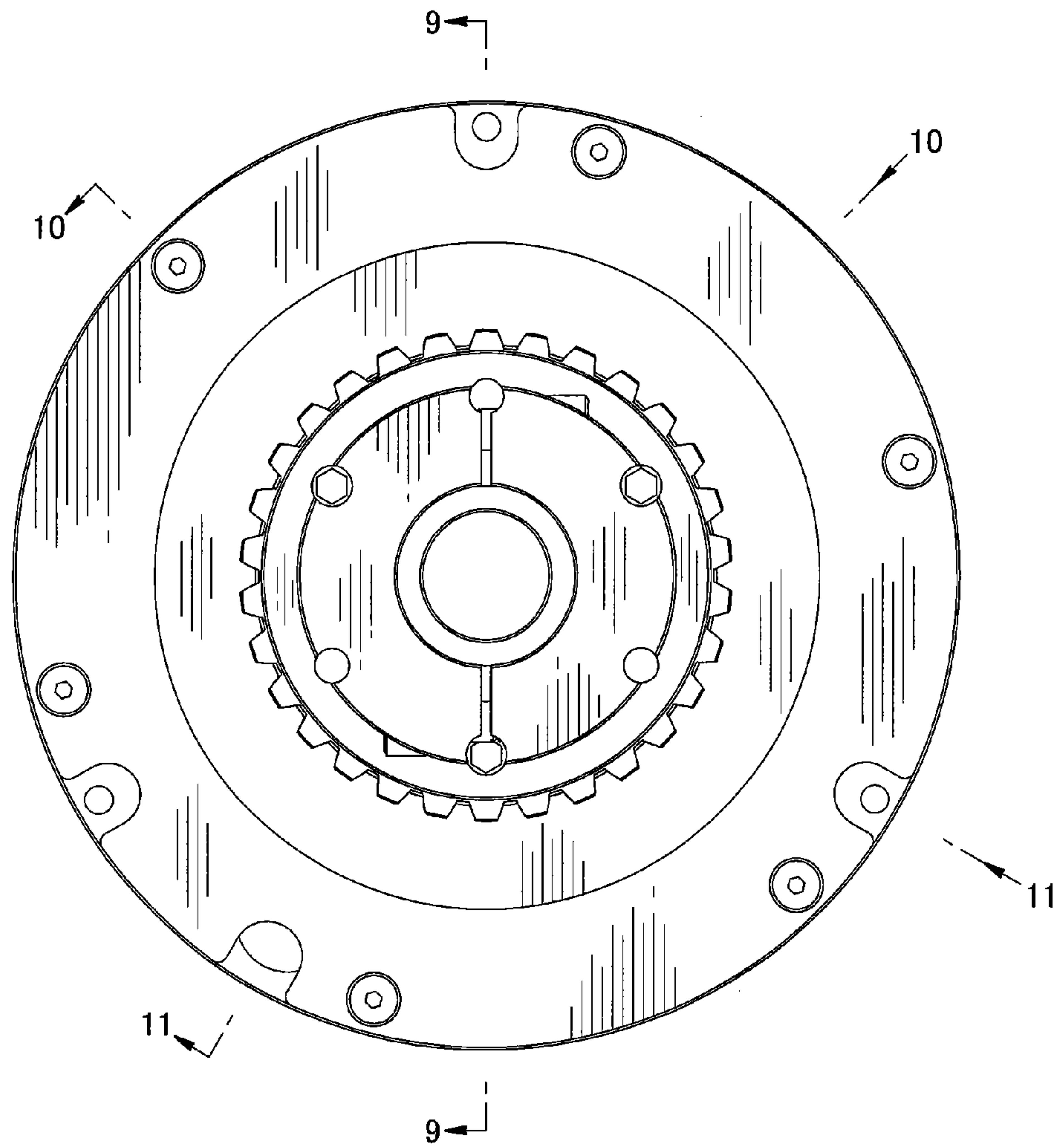


Fig.4

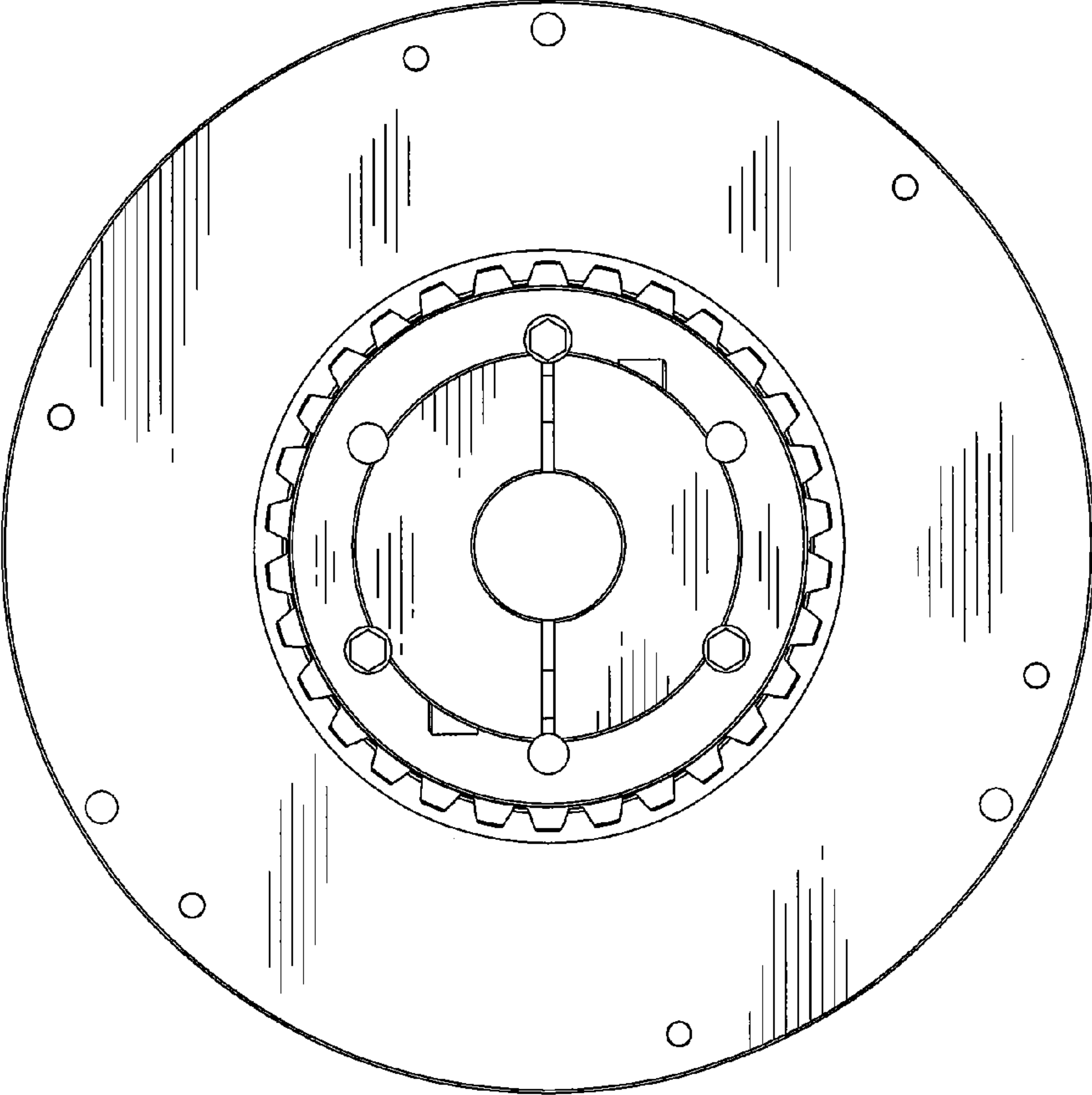


Fig.5

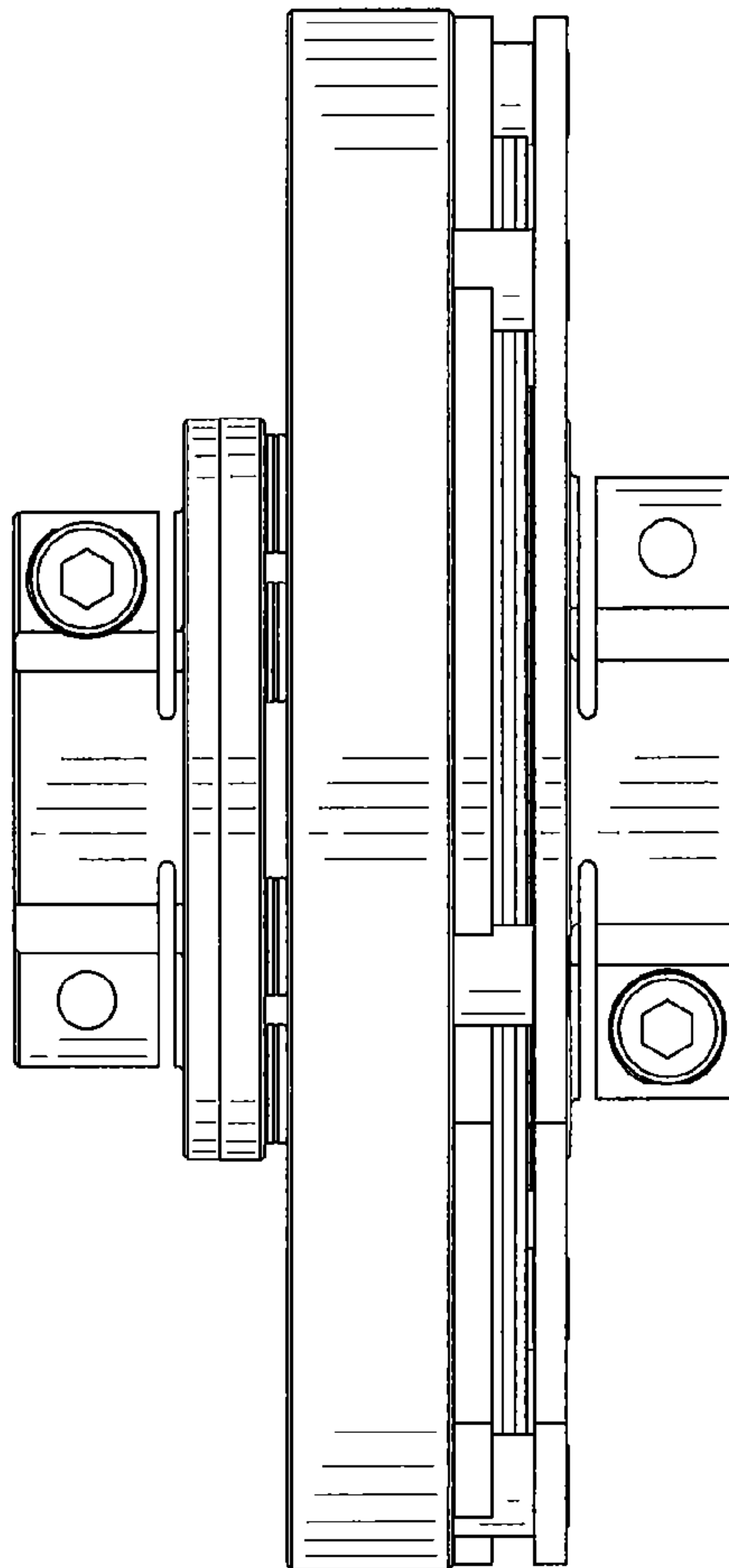


Fig.6

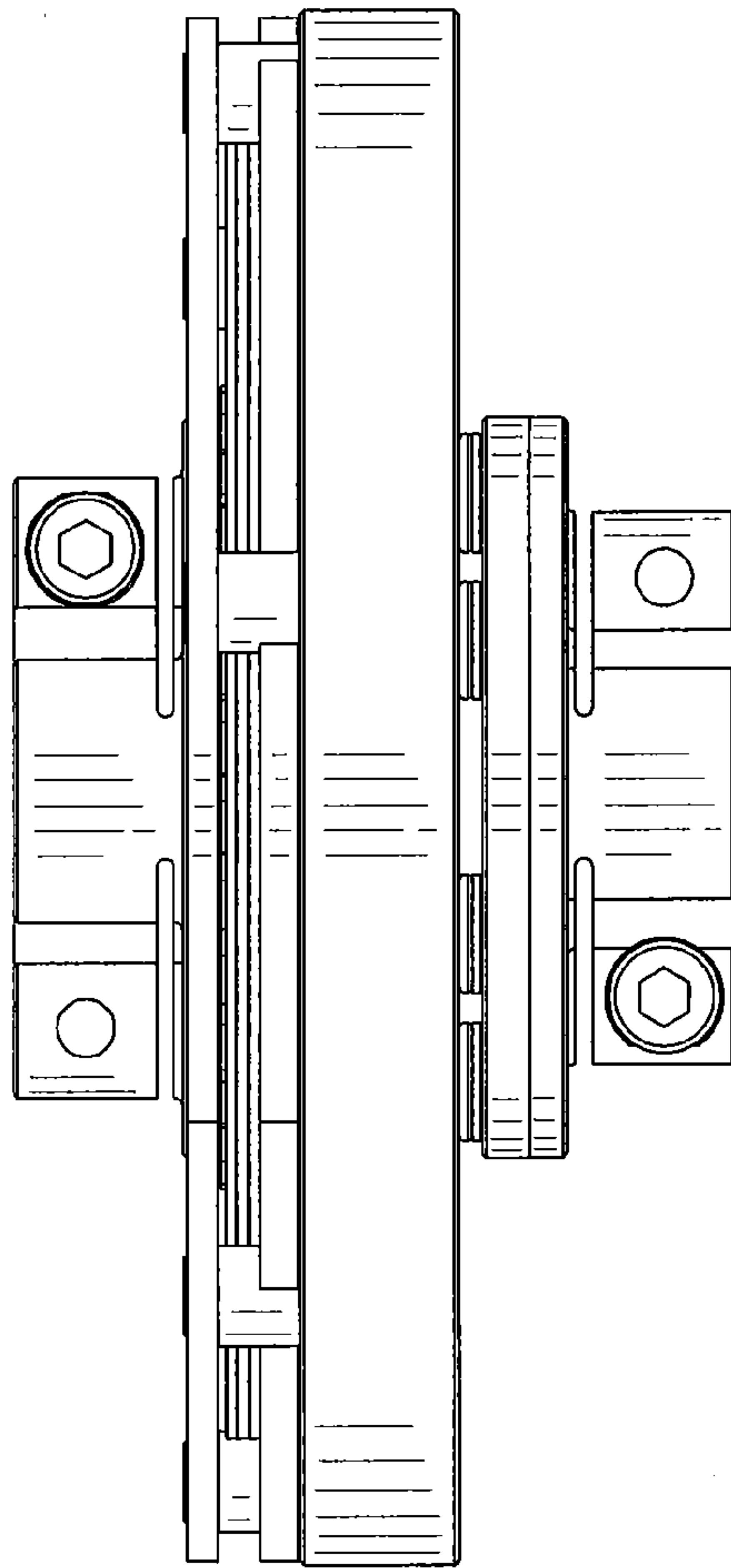


Fig.7

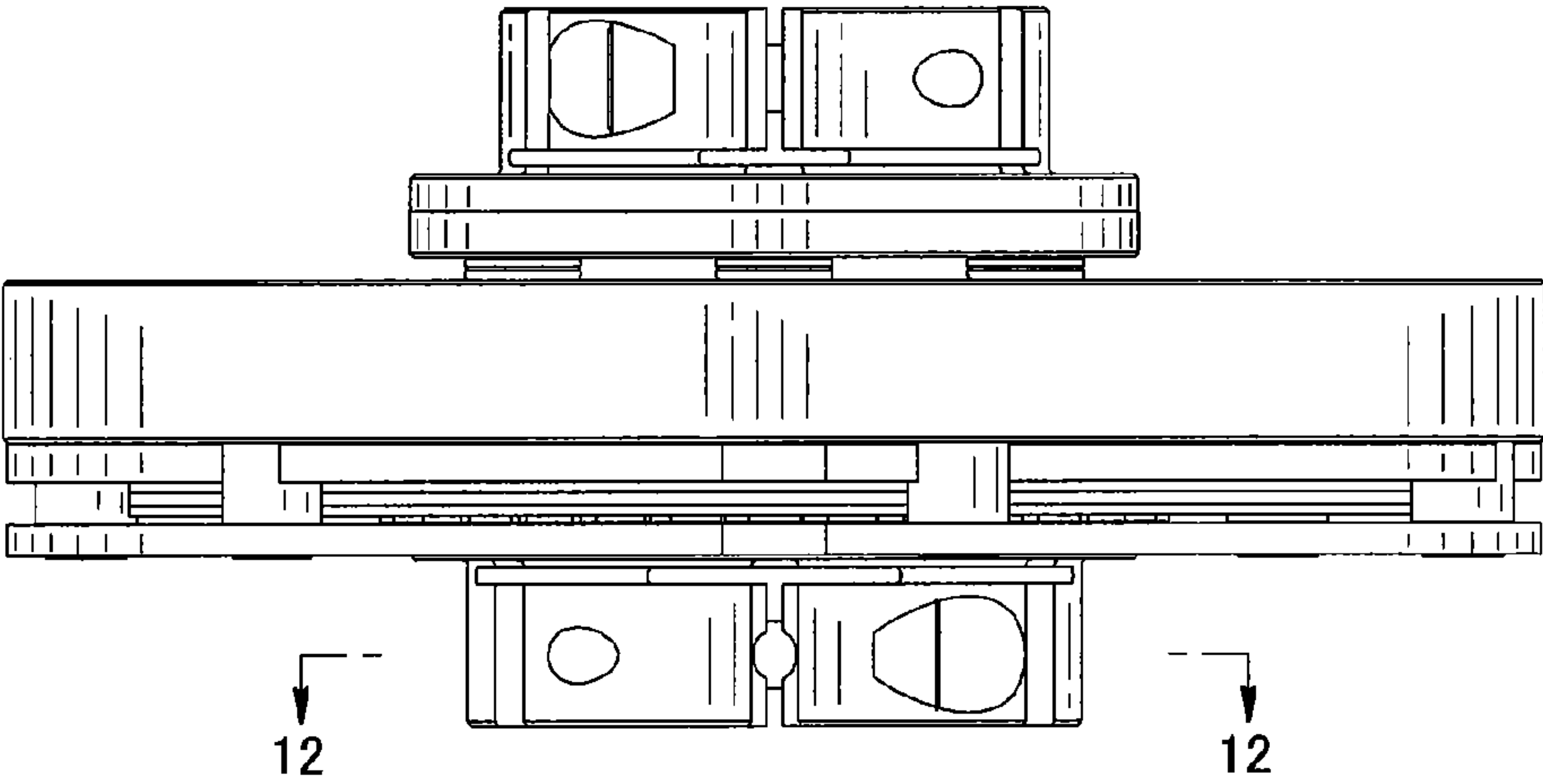


Fig.8

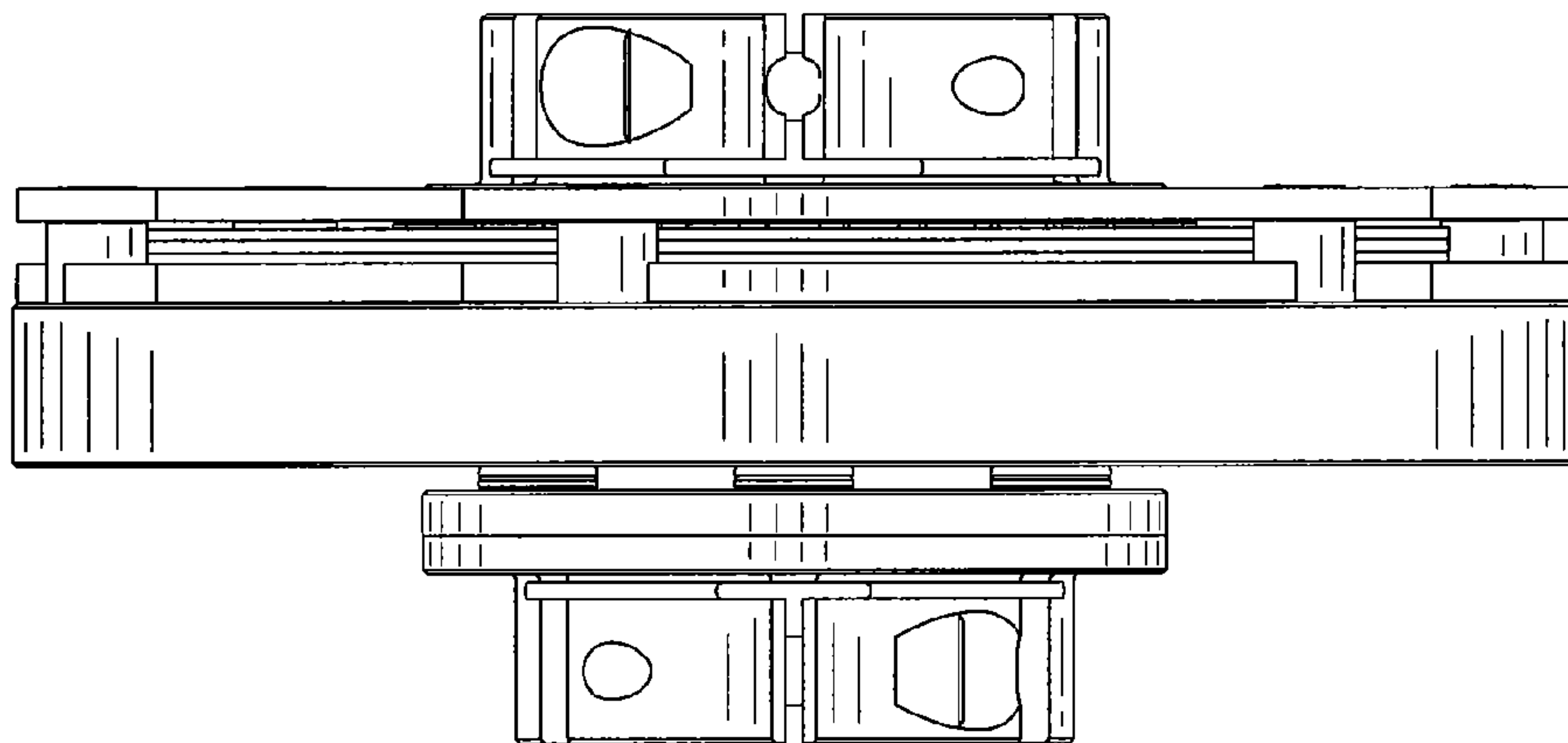


Fig.9

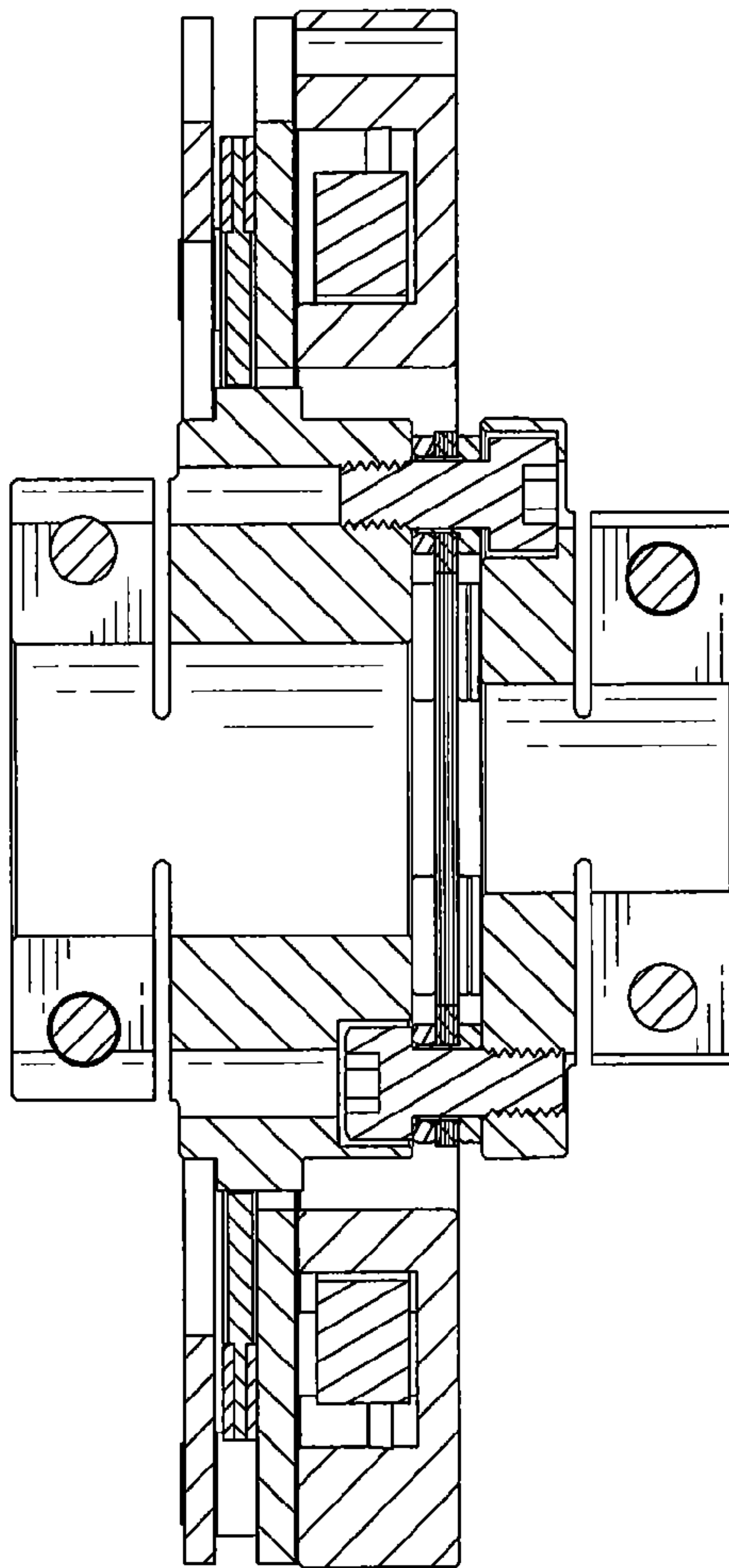


Fig.10

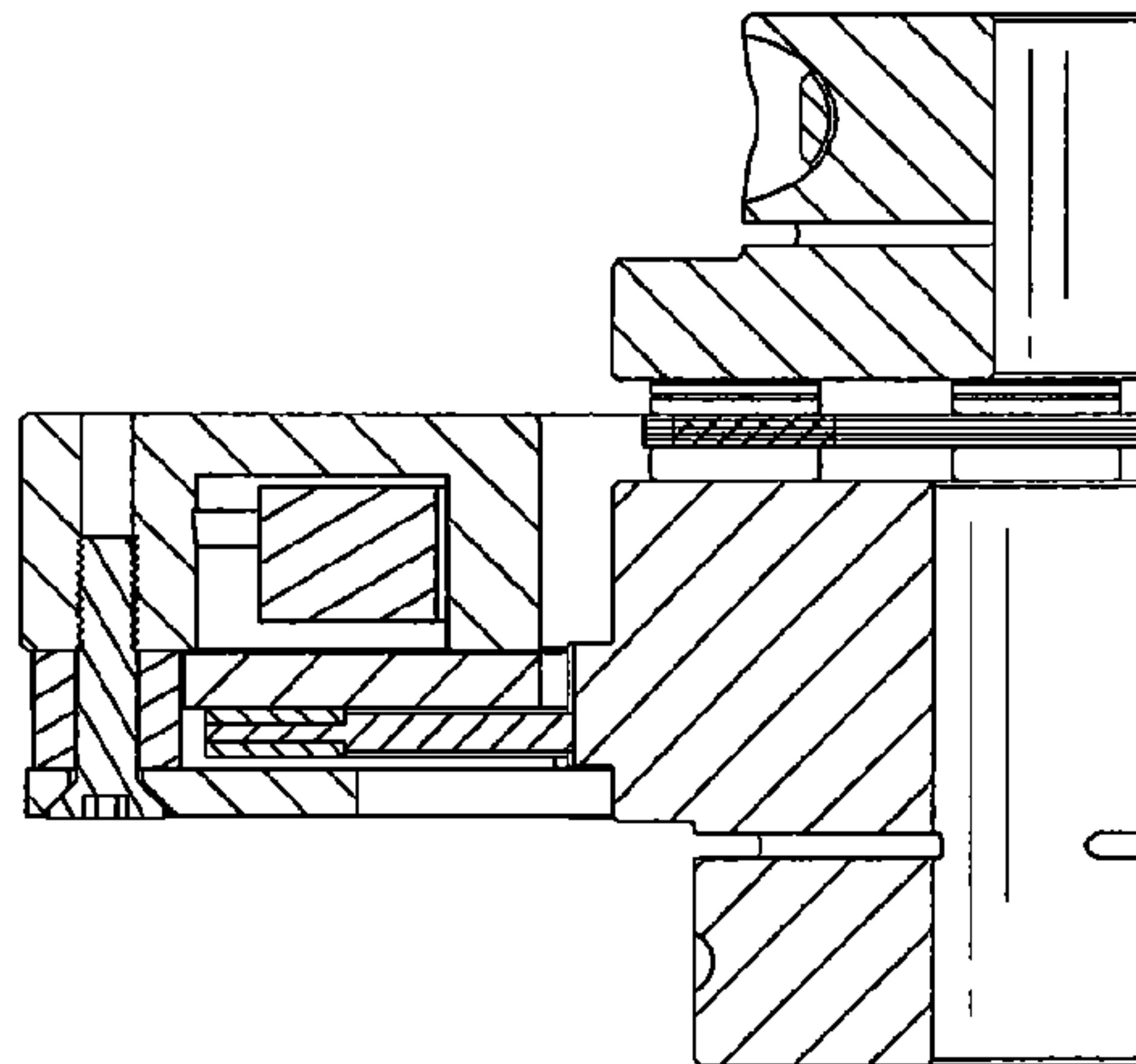


Fig.11

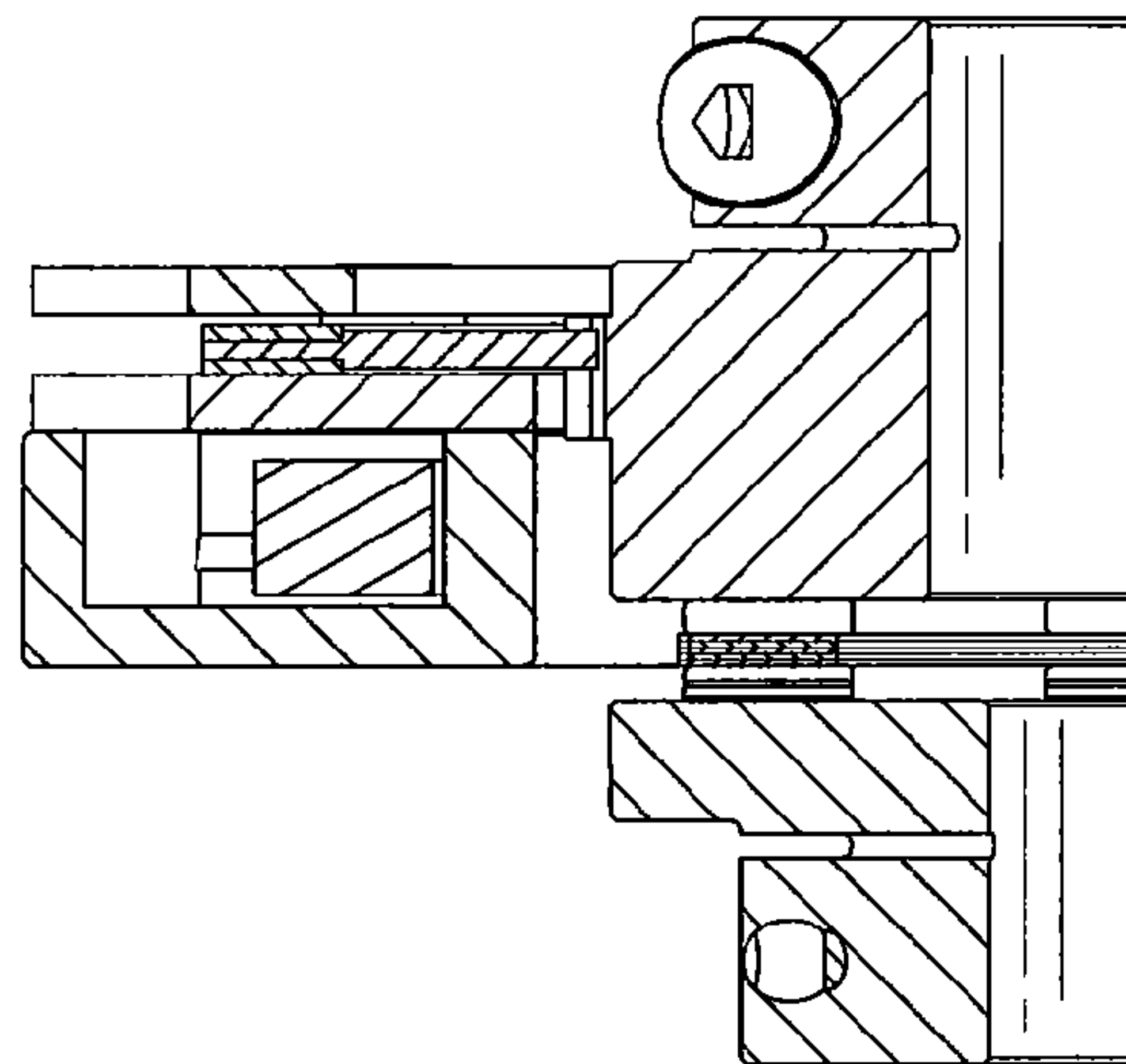


Fig.12

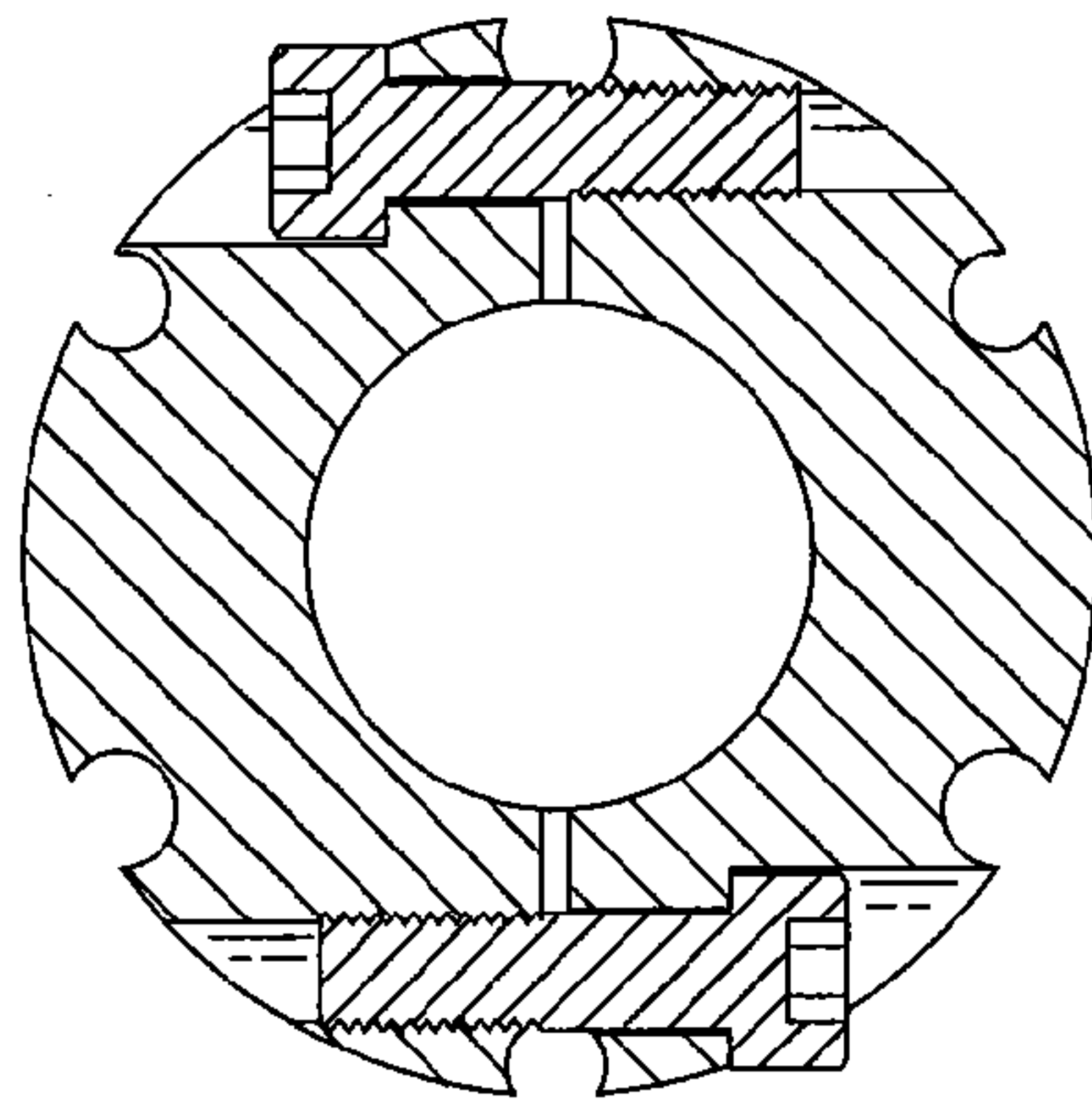


Fig.13

