



US00D767374S

(12) **United States Design Patent**
Vänttilä et al.

(10) **Patent No.:** **US D767,374 S**
(45) **Date of Patent:** **** Sep. 27, 2016**

(54) **HOSE REEL**

(71) Applicant: **Fiskars Oyj Abp**, Helsinki (FI)

(72) Inventors: **Olli-Pekka Vänttilä**, Helsinki (FI);
Petteri Masalin, Helsinki (FI); **Teemu Sandelin**, Helsinki (FI); **Mikko Heine**, Billnas (FI); **Sami Lyytikäinen**, Helsinki (FI)

(73) Assignee: **Fiskars Oyj Abp**, Helsinki (FI)

(**) Term: **15 Years**

(21) Appl. No.: **29/543,169**

(22) Filed: **Oct. 21, 2015**

(30) **Foreign Application Priority Data**

Apr. 22, 2015 (EM) 002686683

(51) **LOC (10) Cl.** **08-05**

(52) **U.S. Cl.**
USPC **D8/356**

(58) **Field of Classification Search**
USPC D8/354, 349, 356, 367, 1, 360, 358,
D8/359; D34/35; D6/358, 309; D25/131,
D25/133; 182/2, 3
CPC F16B 45/02; F16B 47/00; B66C 1/125;
B66C 1/36; A62B 35/0037; A62B 35/04;
A62B 35/0068; B65H 75/40
See application file for complete search history.

(56) **References Cited**

U.S. PATENT DOCUMENTS

5,782,412 A * 7/1998 Plantz B65H 75/40
137/355.2
D404,286 S * 1/1999 Plantz D8/359

D479,979 S * 9/2003 Kovacik D8/358
D504,606 S * 5/2005 Kovacik D8/358
D511,294 S * 11/2005 Kovacik D8/358
D589,329 S * 3/2009 Plunk D8/358
D637,067 S * 5/2011 Bauck D8/358
D666,080 S * 8/2012 Boehler D8/359
D720,212 S * 12/2014 Gonzalez D8/358
D737,669 S * 9/2015 Anderson D8/359
D754,526 S * 4/2016 Sha D8/358

* cited by examiner

Primary Examiner — Cynthia Underwood

(74) *Attorney, Agent, or Firm* — Foley & Lardner LLP

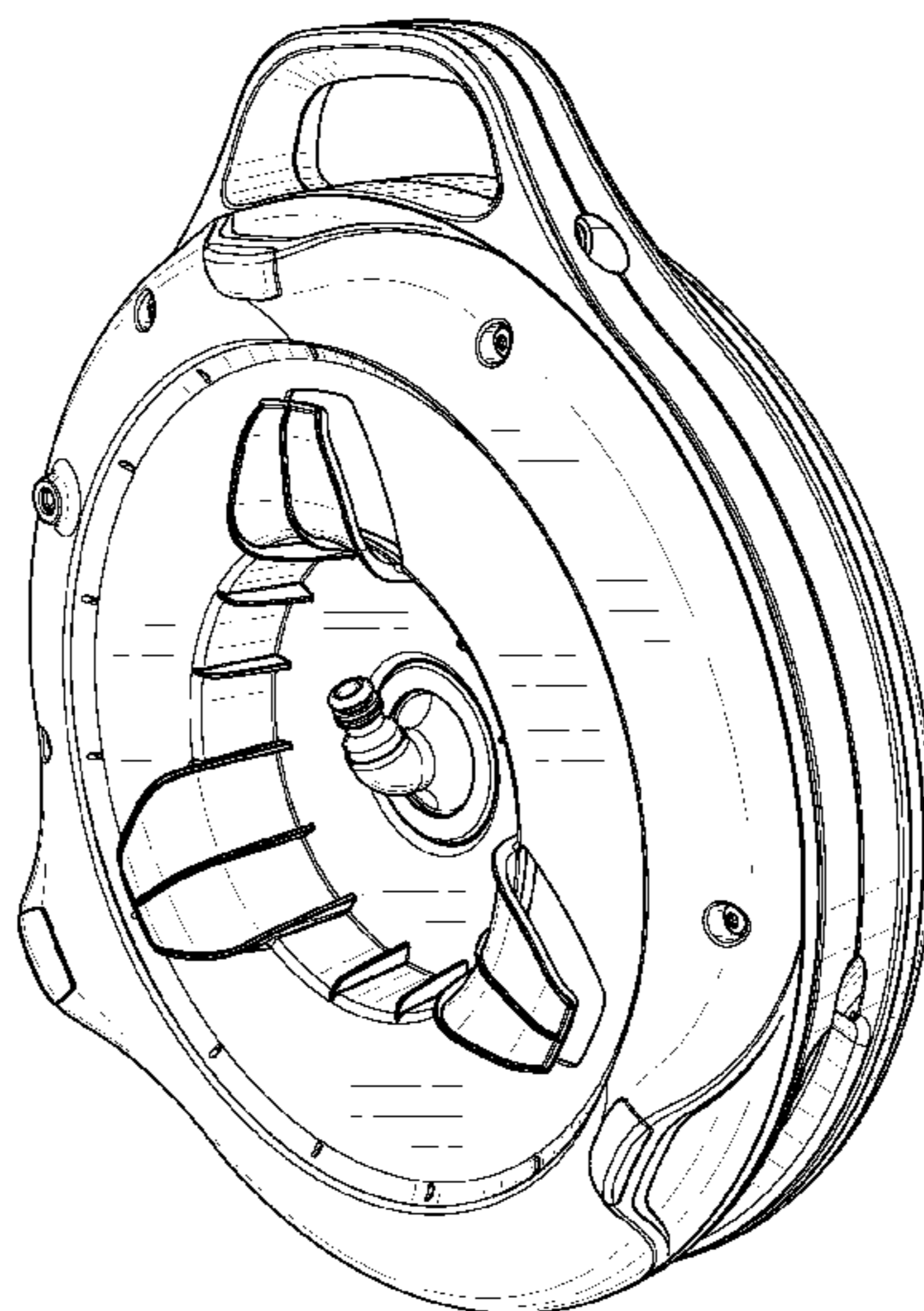
(57) **CLAIM**

We claim the ornamental design for a hose reel, as shown and described.

DESCRIPTION

FIG. 1 is a bottom perspective view of an embodiment of the claimed design;
FIG. 2 is a top perspective view thereof;
FIG. 3 is a bottom view thereof;
FIG. 4 is a top view thereof;
FIG. 5 is a front view thereof;
FIG. 6 is a rear view thereof;
FIG. 7 is a left side elevation view thereof; and,
FIG. 8 is a right side elevation view thereof.
Any portion of the article depicted in broken lines forms no part of the claimed design. Broken lines formed by equal length dashes show unclaimed portions of the design.

1 Claim, 6 Drawing Sheets



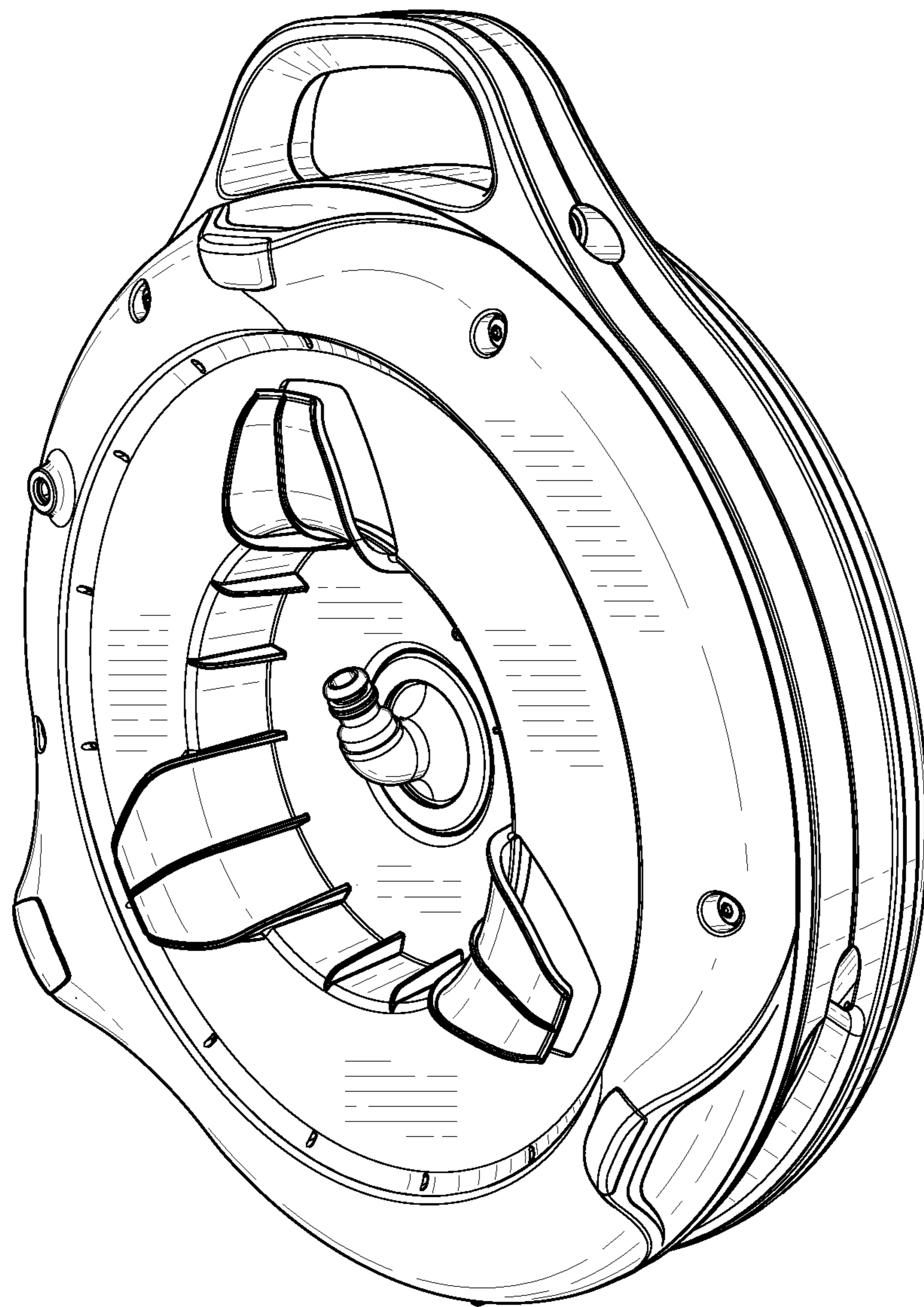


FIG. 1

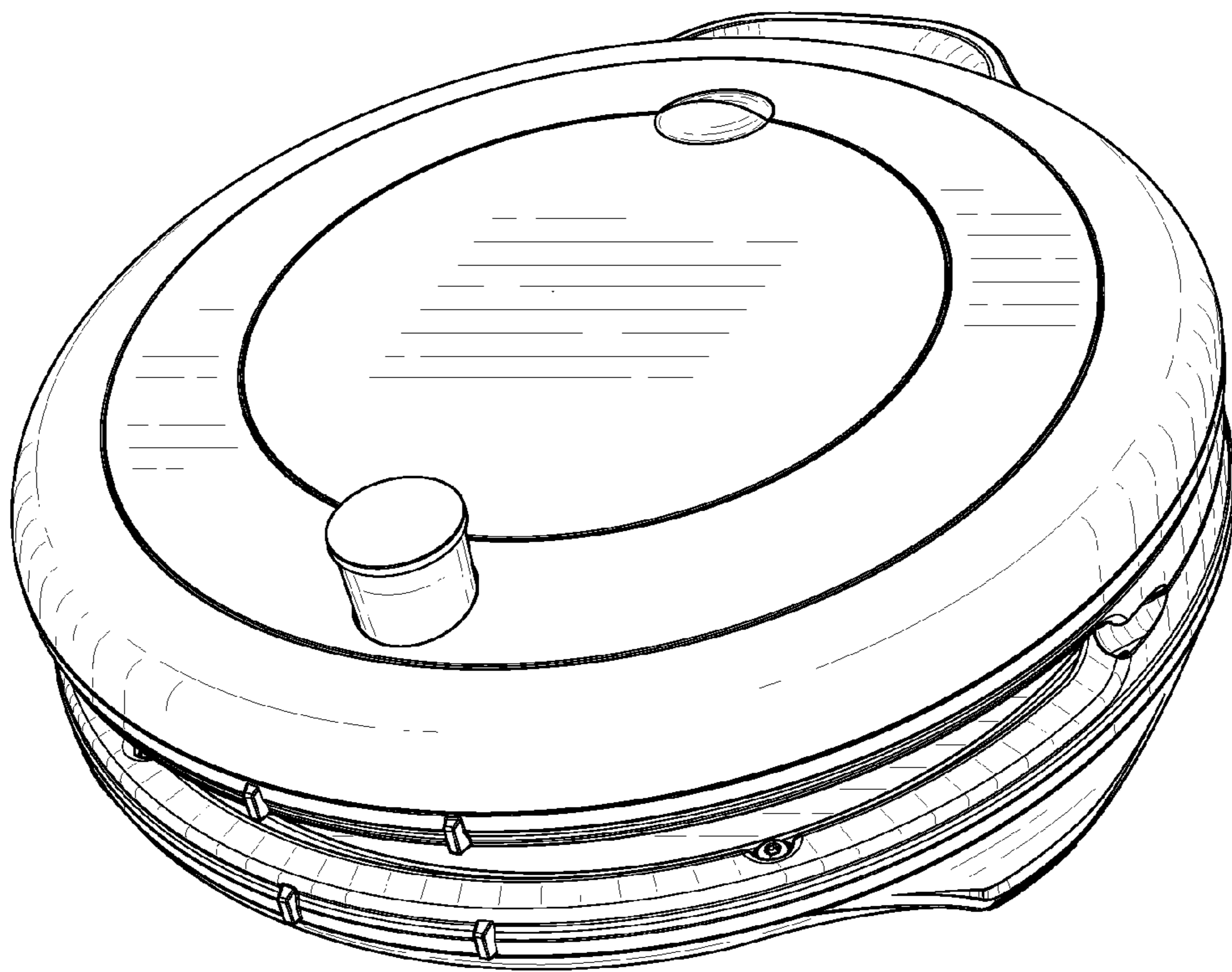


FIG. 2

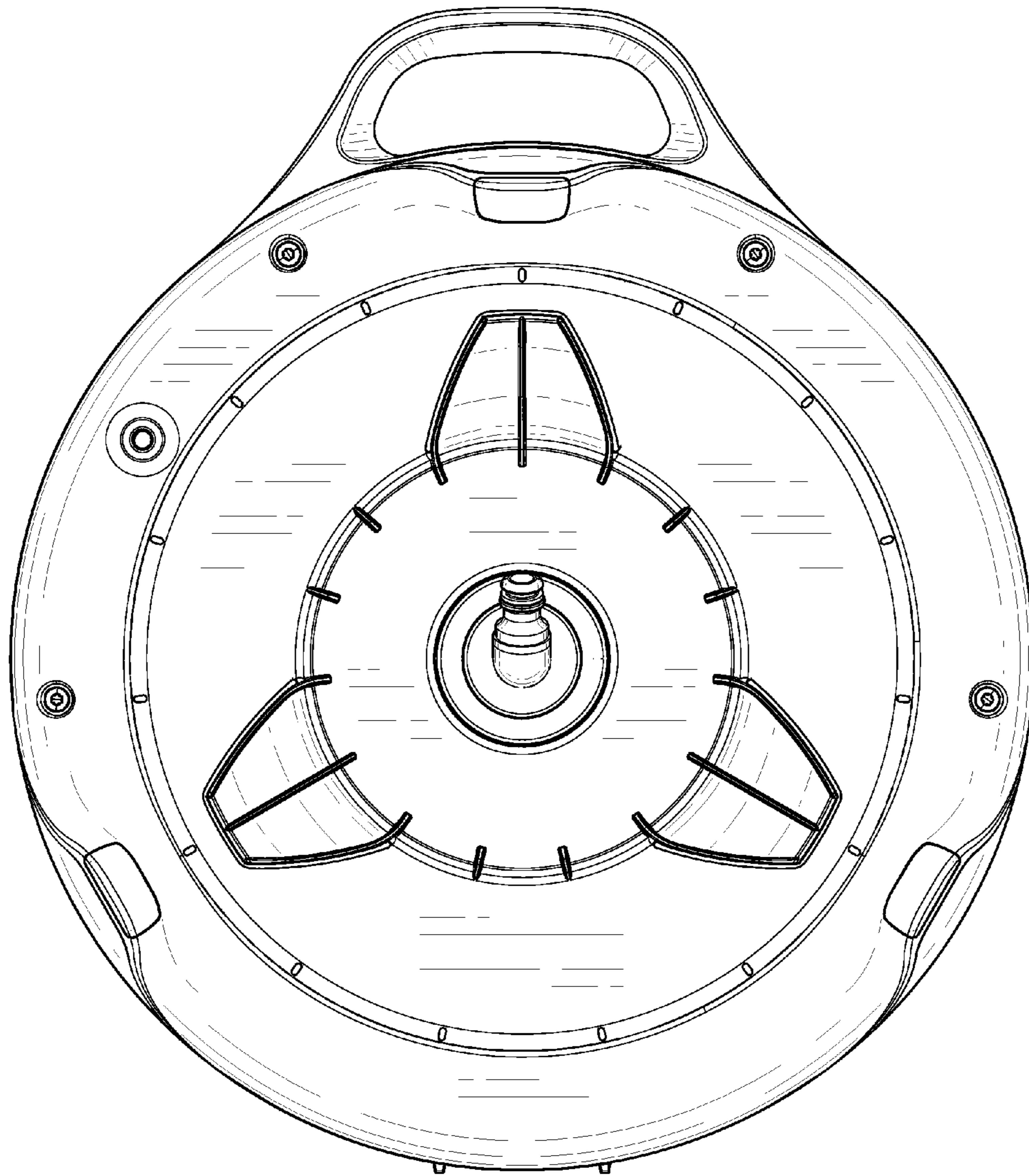


FIG. 3

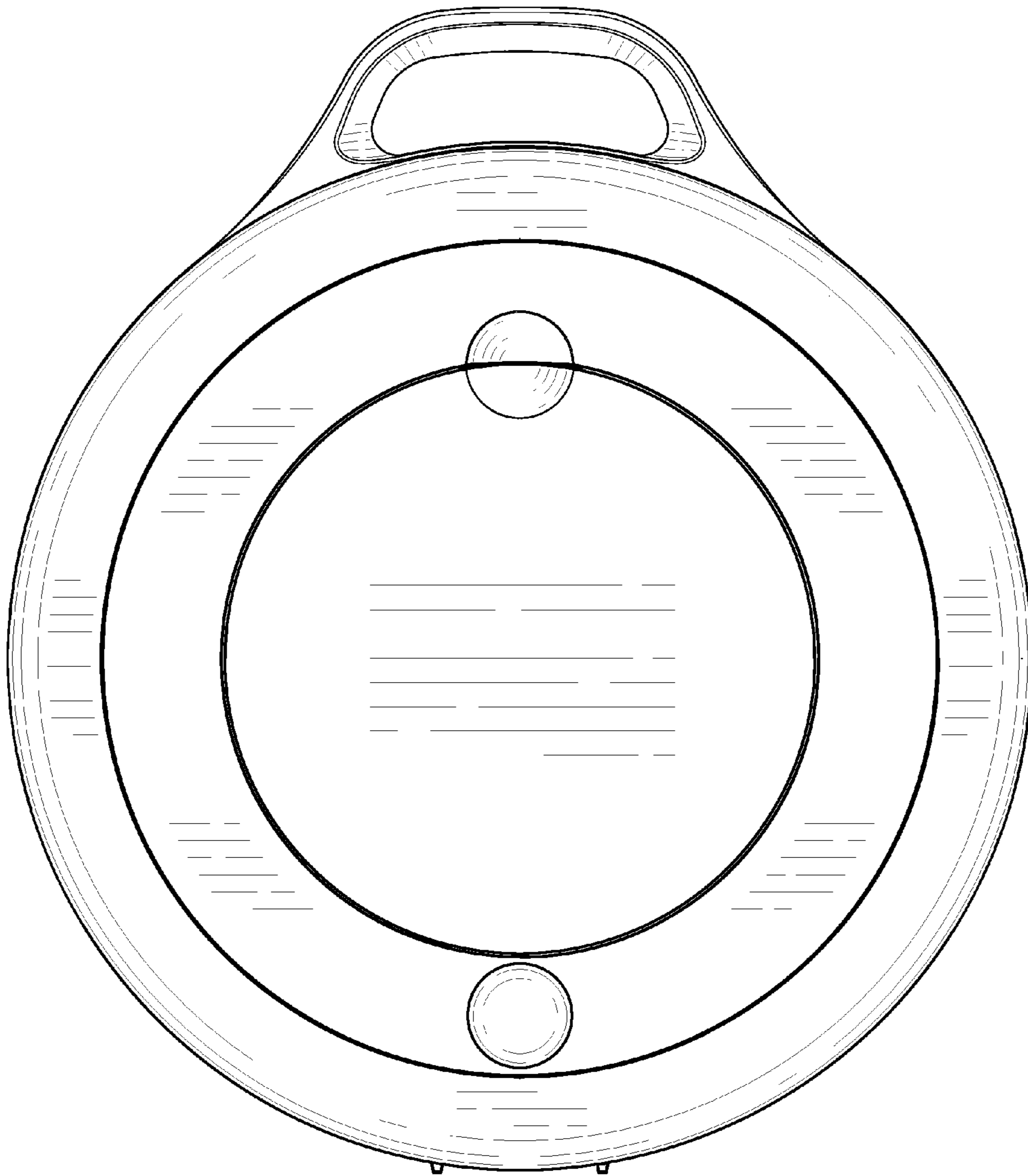


FIG. 4

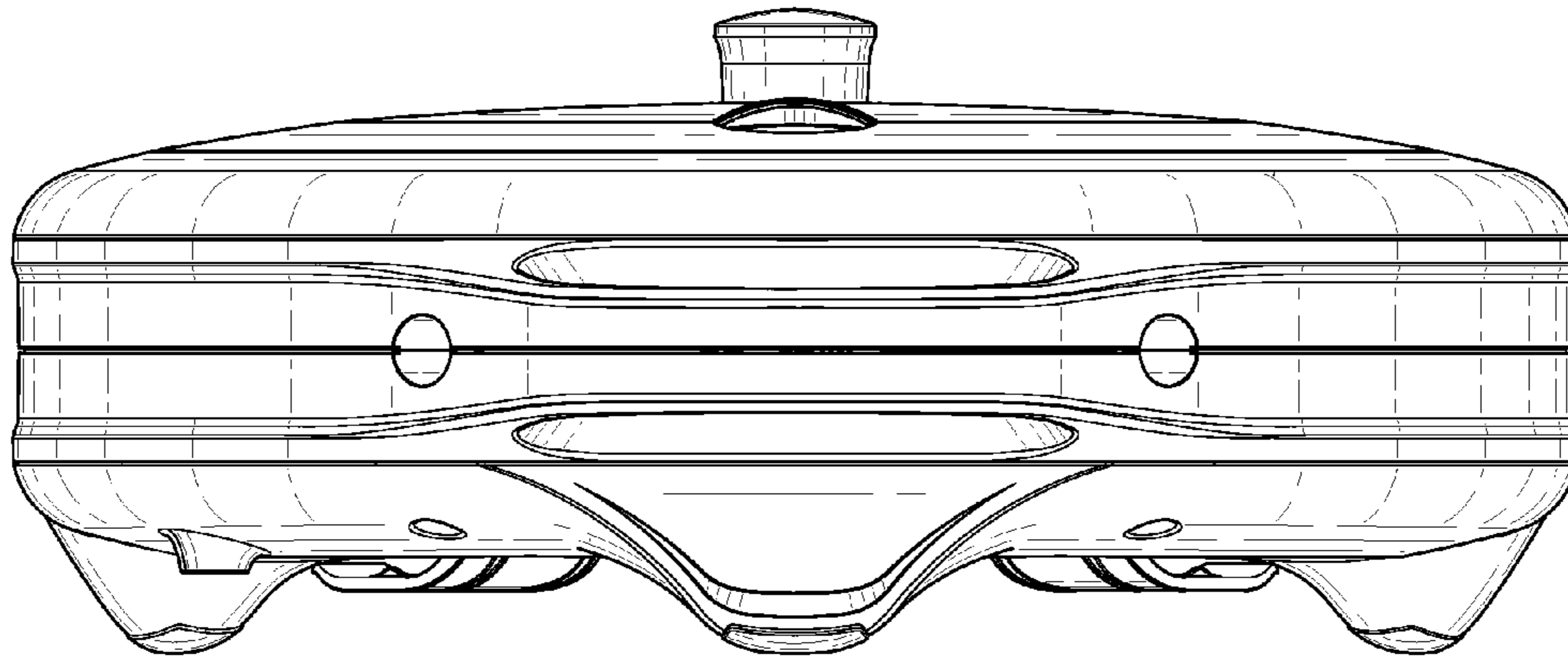


FIG. 5

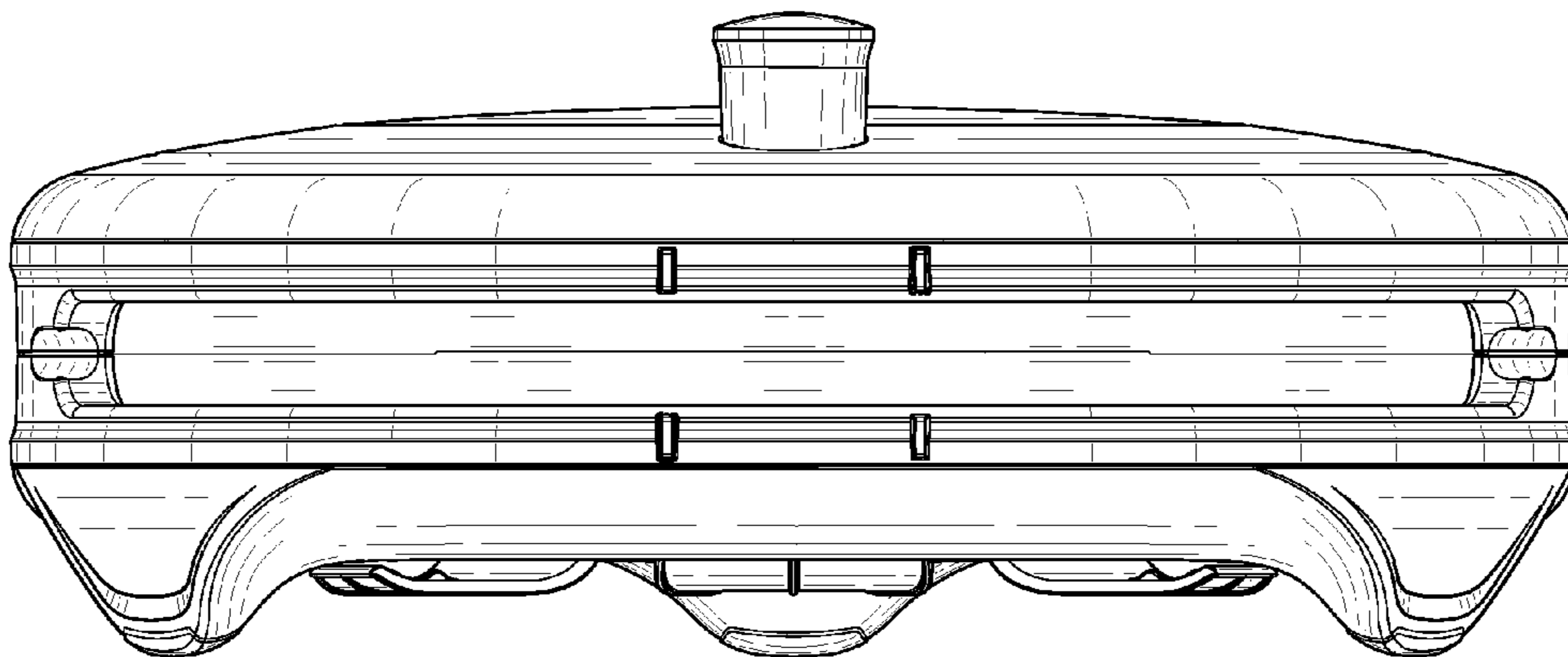


FIG. 6

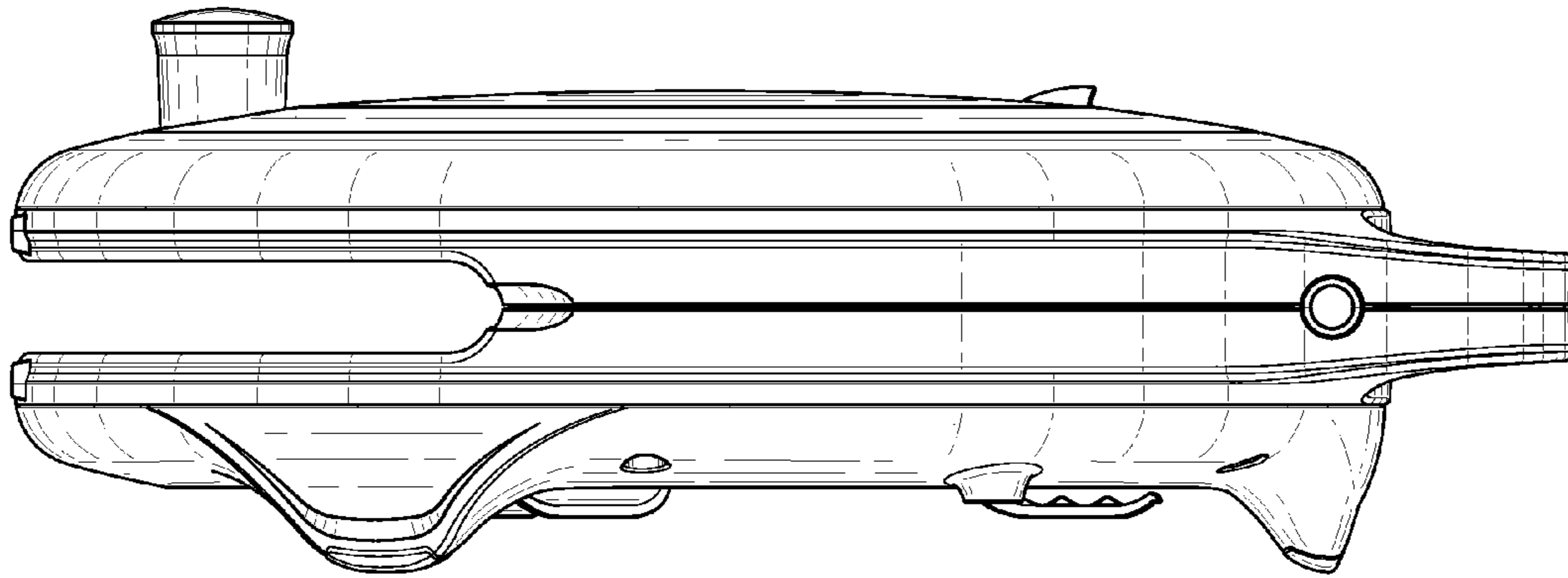


FIG. 7

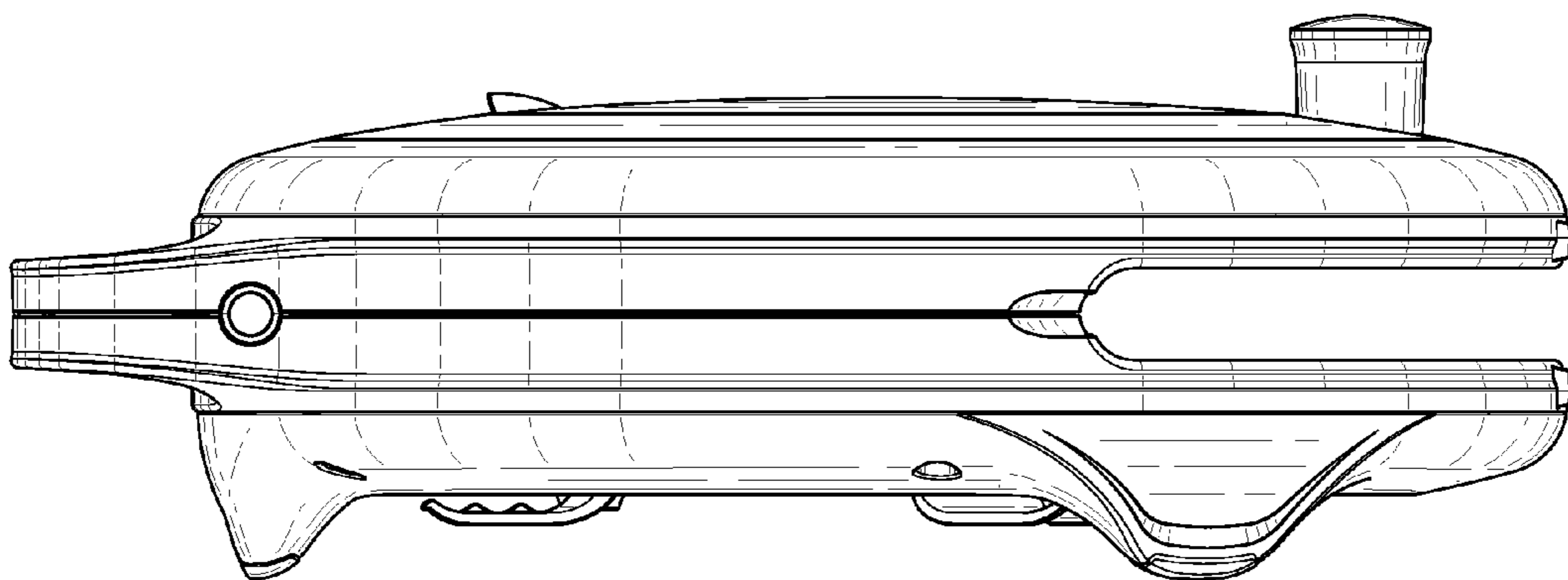


FIG. 8