



US00D767371S

(12) **United States Design Patent**
Matsuo et al.

(10) **Patent No.:** **US D767,371 S**
(45) **Date of Patent:** **** Sep. 27, 2016**

(54) **CABLE INSERTION TOOL FOR SPIRAL HANGER**

D652,698 S * 1/2012 Rothell D8/1
D714,632 S * 10/2014 Pando D8/356
D741,152 S * 10/2015 Brett D8/356

(71) Applicant: **Hien Electric Industries, Ltd.**,
Osaka-shi, Osaka (JP)

FOREIGN PATENT DOCUMENTS

(72) Inventors: **Kazuhisa Matsuo**, Osaka (JP); **Shinya Takeda**, Osaka (JP)

JP 09-135510 A 5/1997
JP 10-336824 A 12/1998
JP 11-089030 A 3/1999
JP 11-178182 A 7/1999
JP 2000-270431 A 9/2000

(73) Assignee: **HIEN ELECTRIC INDUSTRIES, LTD.**, Osaka (JP)

* cited by examiner

(**) Term: **14 Years**

Primary Examiner — Cynthia Underwood

(21) Appl. No.: **29/498,414**

(74) *Attorney, Agent, or Firm* — Westerman, Hattori, Daniels & Adrian, LLP

(22) Filed: **Aug. 4, 2014**

(57) **CLAIM**

(30) **Foreign Application Priority Data**

The ornamental design for a cable insertion tool for spiral hanger, as shown and described.

May 27, 2014 (JP) 2014-011276

(51) **LOC (10) Cl.** **08-05**

DESCRIPTION

(52) **U.S. Cl.**
USPC **D8/356**

(58) **Field of Classification Search**
USPC D8/356, 354, 349, 367; D13/133, 123
CPC H04W 4/00
See application file for complete search history.

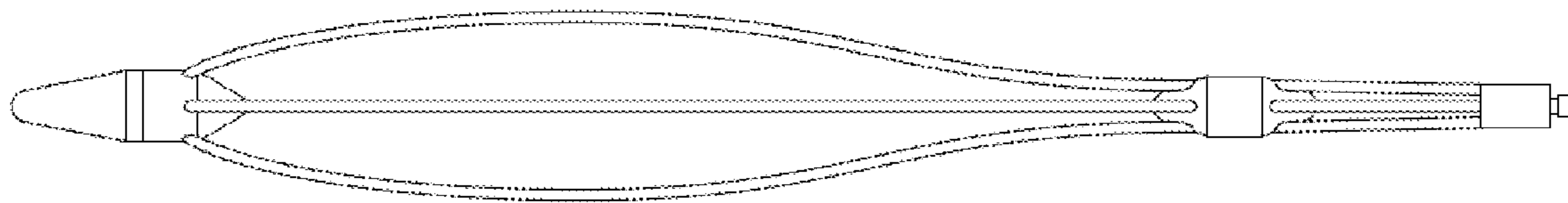
FIG. 1 is a front elevation view of a cable insertion tool for spiral hanger, showing my new design;
FIG. 2 is a right side elevation view thereof;
FIG. 3 is a left side elevation view thereof;
FIG. 4 is a front elevation view of the cable insertion tool for spiral hanger in which a movable hub element has been moved along rods to the left side;
FIG. 5 is a right side elevation view thereof;
FIG. 6 is a left side elevation view thereof;
FIG. 7 is an enlarged view of FIG. 2; and,
FIG. 8 is an enlarged view of FIG. 5.

(56) **References Cited**

U.S. PATENT DOCUMENTS

D358,979 S * 6/1995 Reid D8/354
D563,772 S * 3/2008 Durocher D8/356
D591,679 S * 5/2009 Zenk D13/133

1 Claim, 5 Drawing Sheets



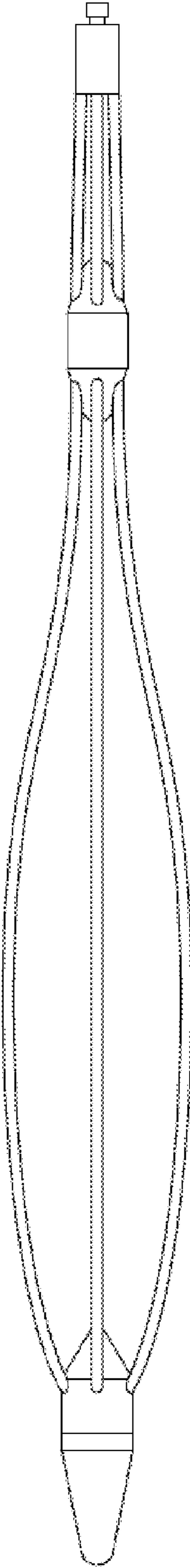


FIG. 1

FIG. 2

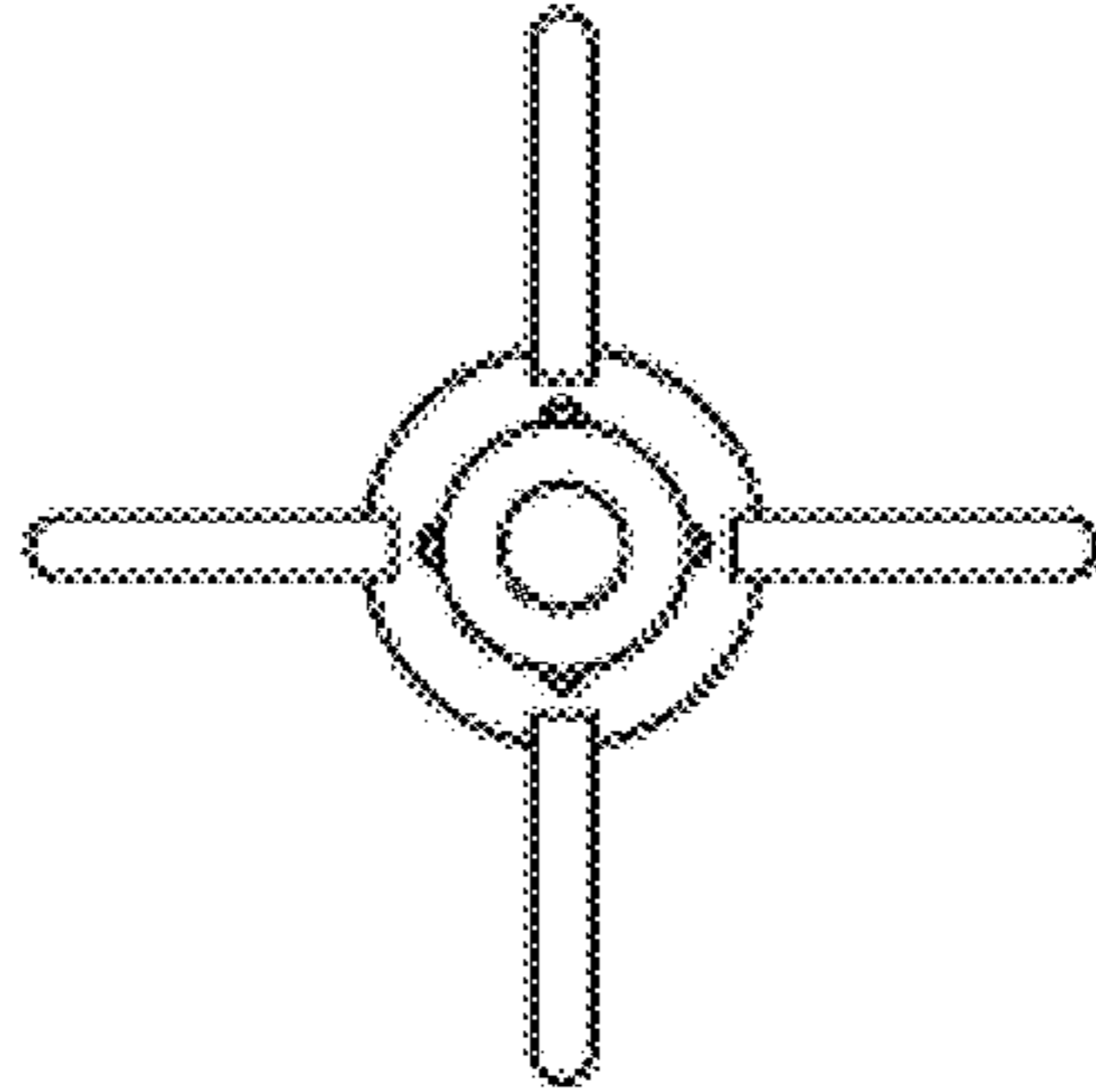
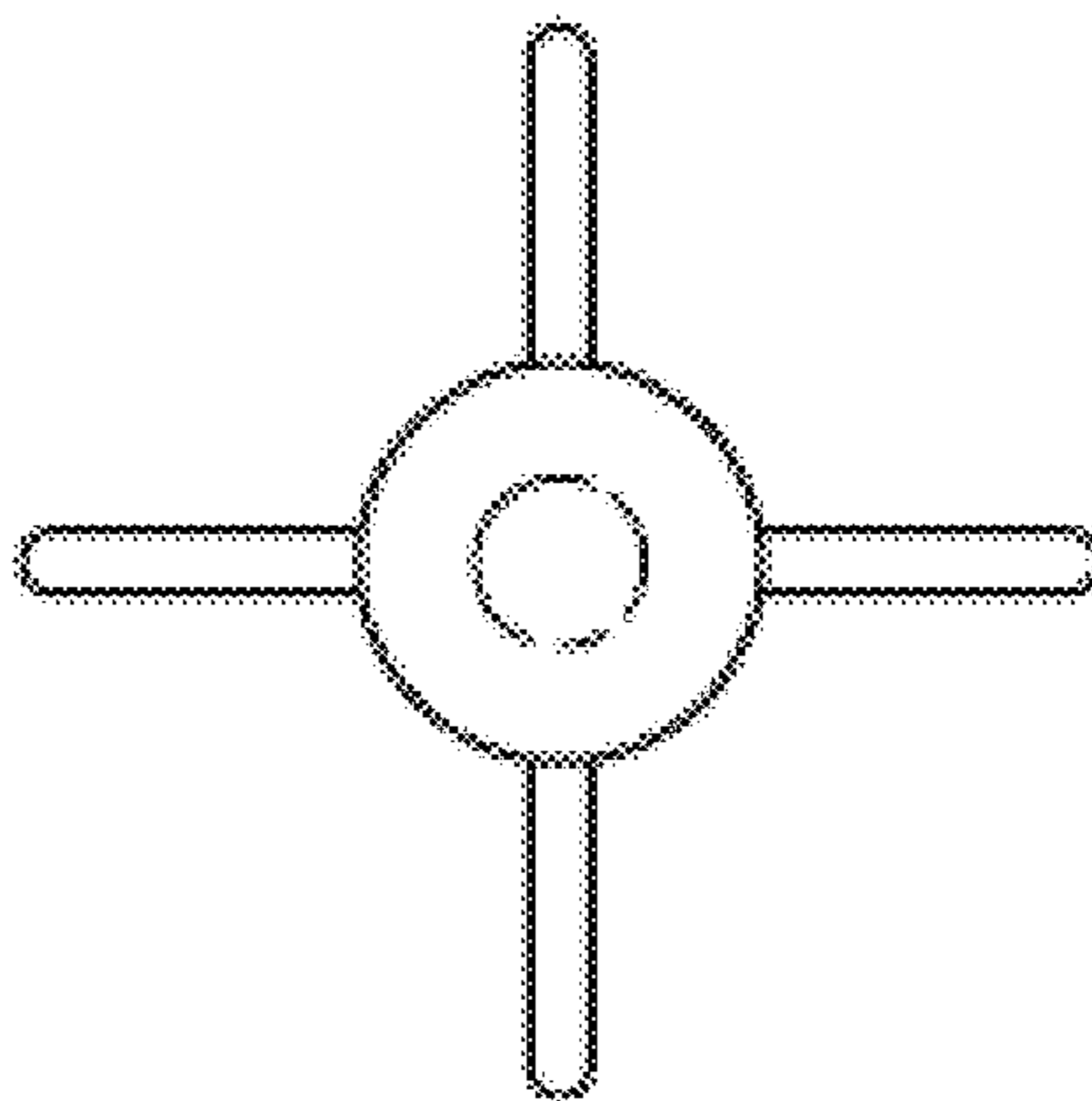


FIG. 3



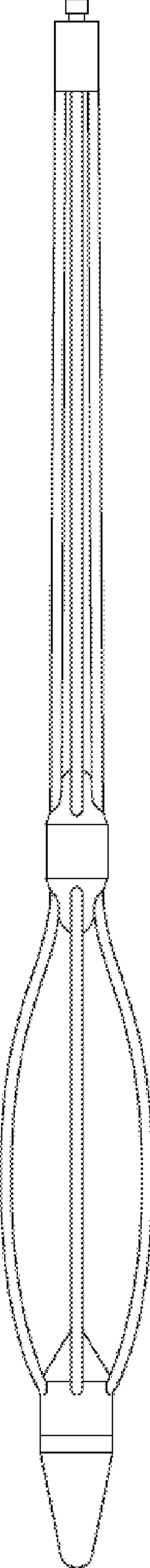


FIG. 4

FIG. 5

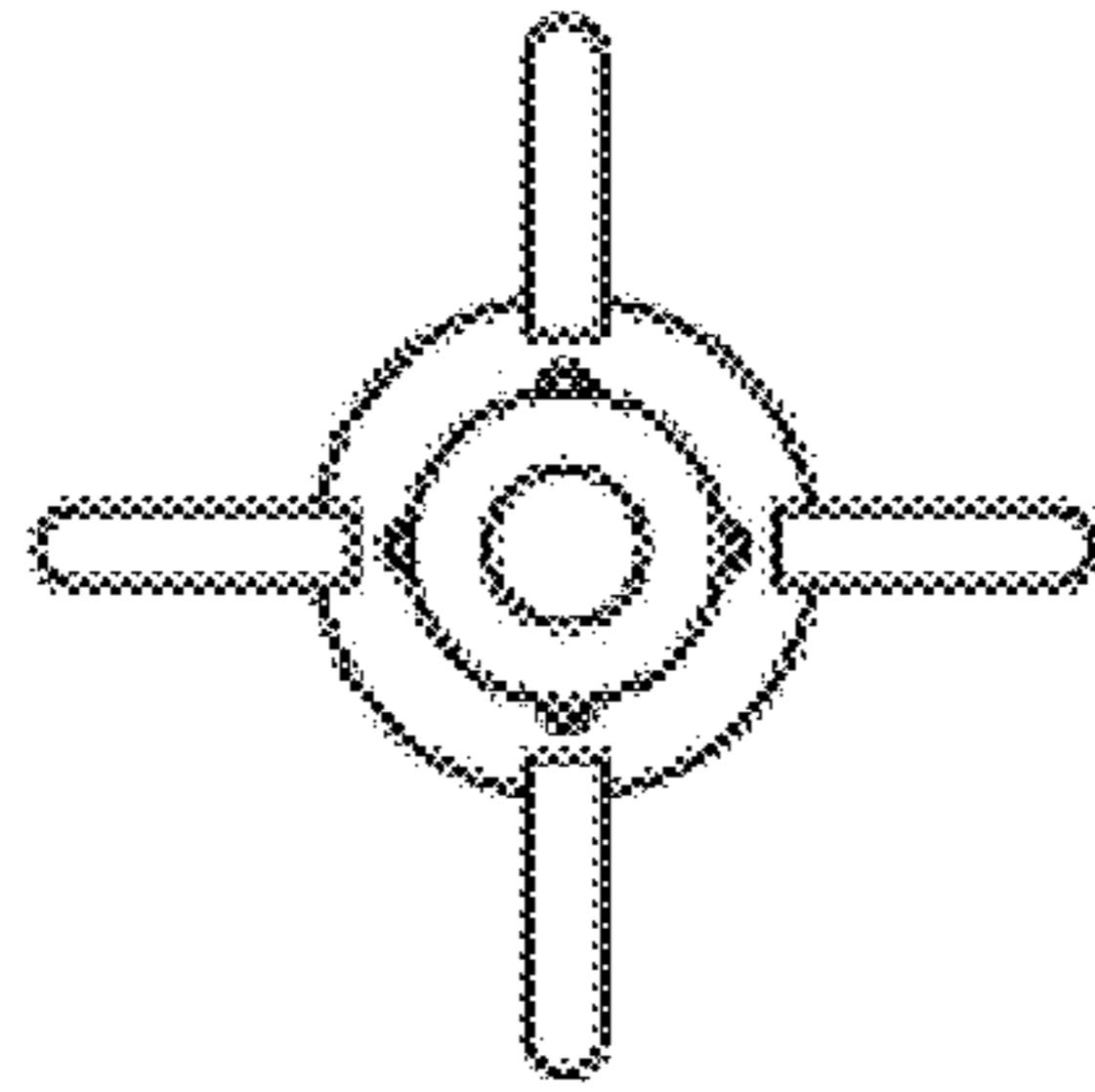


FIG. 6

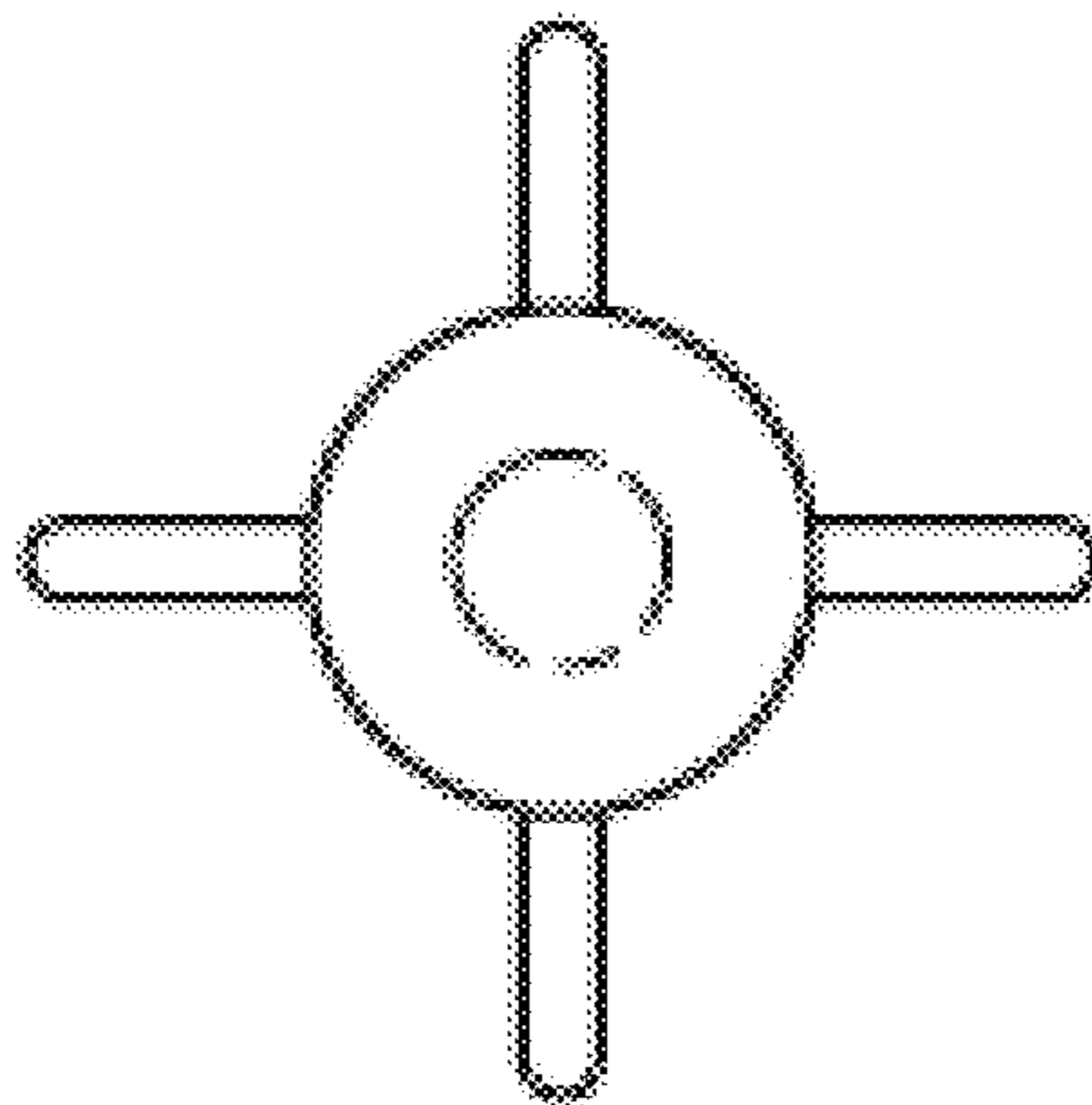


FIG. 7

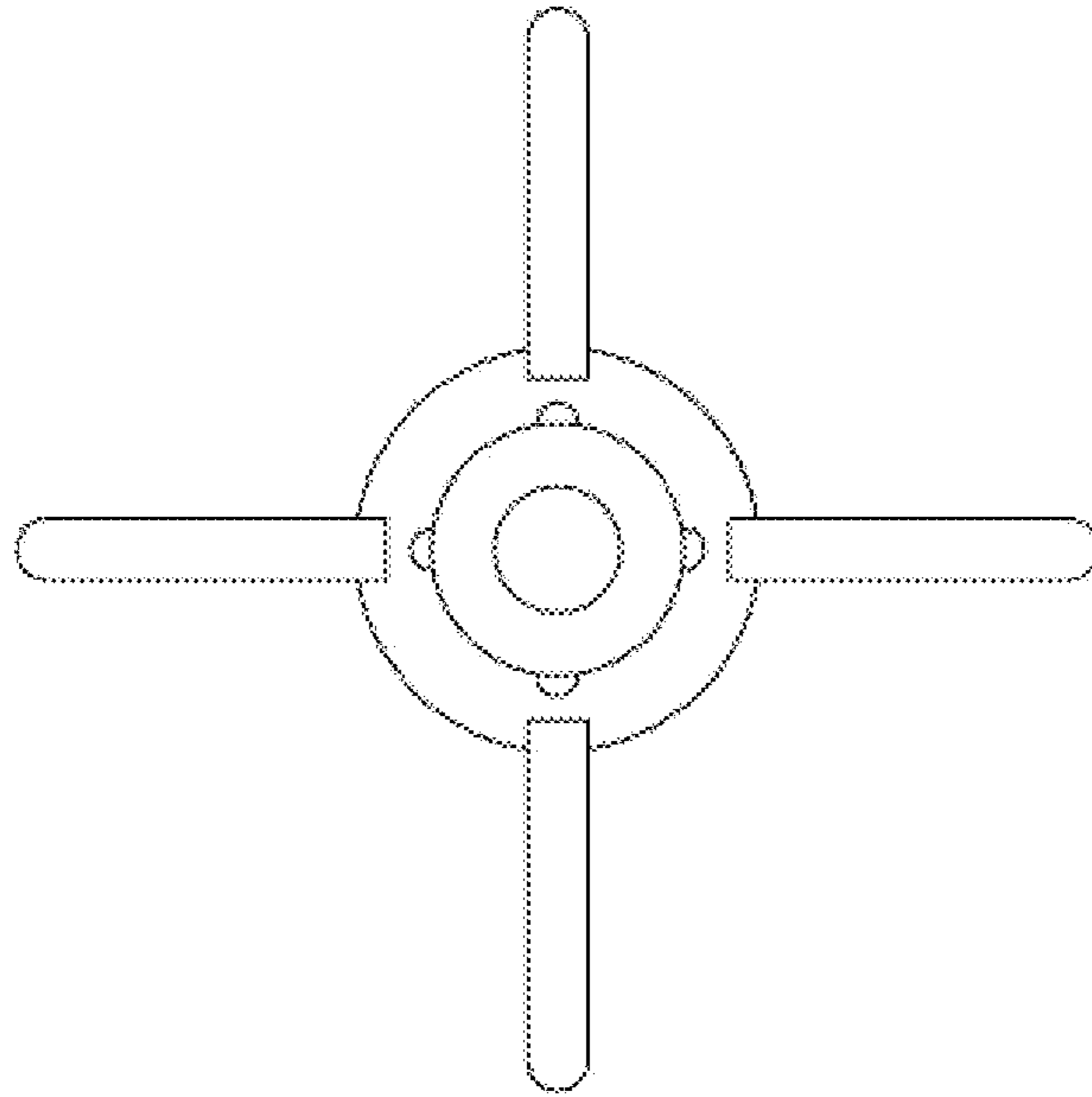


FIG. 8

