

US00D767370S

(12) **United States Design Patent**
Yato et al.

(10) **Patent No.:** **US D767,370 S**
(45) **Date of Patent:** **** Sep. 27, 2016**

(54) **VALVE MOUNTING PLATE**

6,848,672 B2 * 2/2005 Cross F16K 31/055
251/292

(71) Applicant: **CKD CORPORATION**, Komaki-shi,
Aichi (JP)

D550,540 S * 9/2007 Nawrocki D8/354

D635,449 S * 4/2011 Robinson D8/366

D638,282 S * 5/2011 Robinson D8/366

D755,608 S * 5/2016 Lawson D8/354

2010/0163504 A1 * 7/2010 Freeman A47F 5/103
211/103

(72) Inventors: **Tetsuya Yato**, Komaki (JP); **Seiji Iguchi**, Komaki (JP)

(73) Assignee: **CKD CORPORATION**, Komaki (JP)

* cited by examiner

(**) Term: **15 Years**

Primary Examiner — Lakiya Rogers

(21) Appl. No.: **29/527,592**

Assistant Examiner — Harold Blackwell, II

(22) Filed: **May 20, 2015**

(74) *Attorney, Agent, or Firm* — Oliff PLC

(30) **Foreign Application Priority Data**

Nov. 21, 2014 (JP) 2014-026060

(51) **LOC (10) Cl.** **08-05**

(52) **U.S. Cl.**
USPC **D8/354**

(58) **Field of Classification Search**
USPC D8/349, 354, 363, 373, 380; 160/31,
160/170, 84.02, 192; 248/300; 242/372;
D6/575, 580, 581

CPC . E04B 1/24; E04B 1/2403; E04B 2001/2415
See application file for complete search history.

(56) **References Cited**

U.S. PATENT DOCUMENTS

1,726,884 A * 9/1929 Brown B60T 17/046
248/295.11

6,651,691 B2 * 11/2003 Phipps F16K 27/00
137/269

(57) **CLAIM**

The ornamental design for a valve mounting plate, as shown and described.

DESCRIPTION

FIG. 1 is a front, right-side, bottom perspective view of the valve mounting plate;

FIG. 2 is a front elevational view thereof;

FIG. 3 is a bottom plan view thereof;

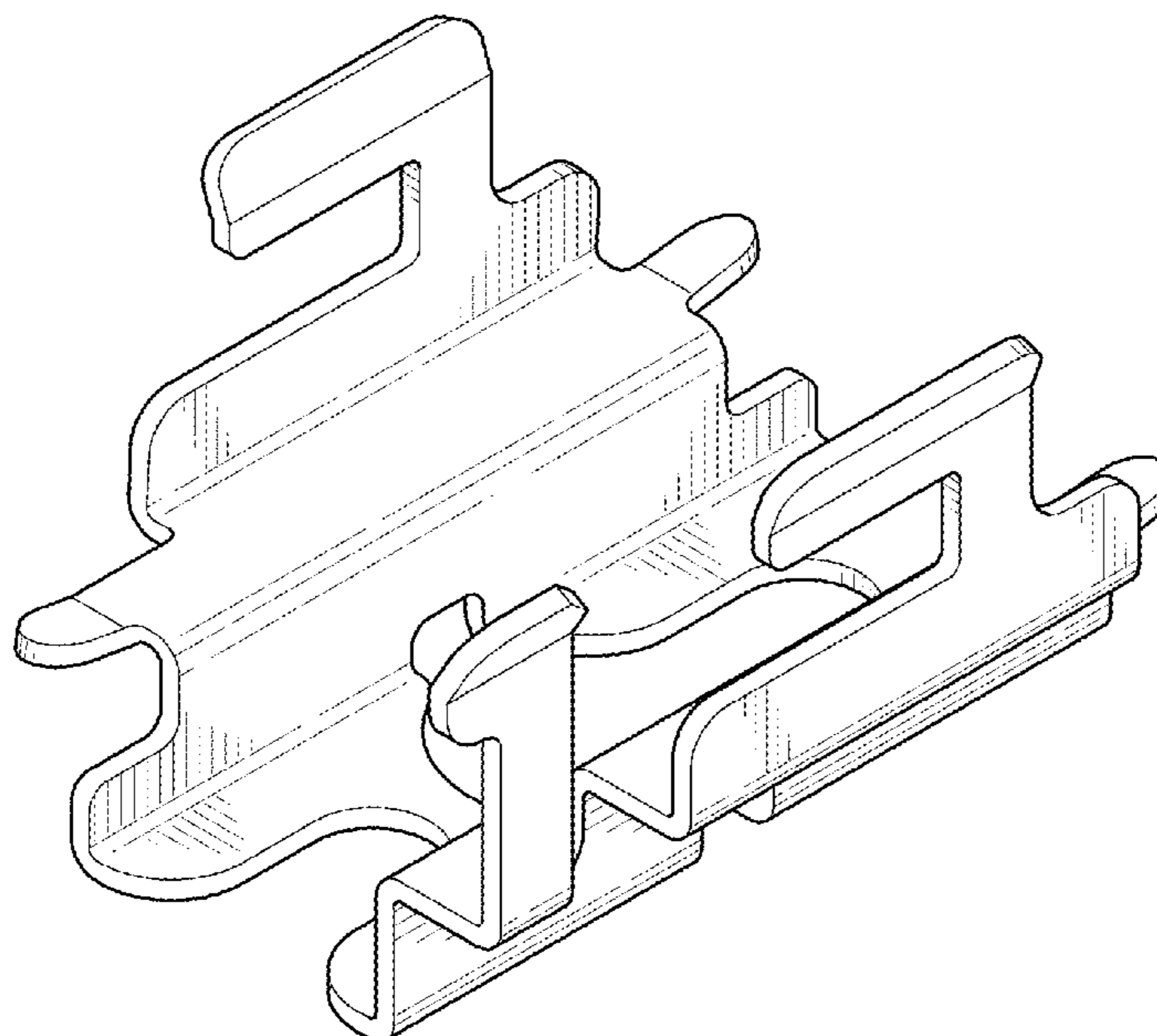
FIG. 4 is a right-side elevational view thereof;

FIG. 5 is a left-side elevational view thereof;

FIG. 6 is a top plan view thereof; and,

FIG. 7 is a rear elevational view thereof.

1 Claim, 4 Drawing Sheets



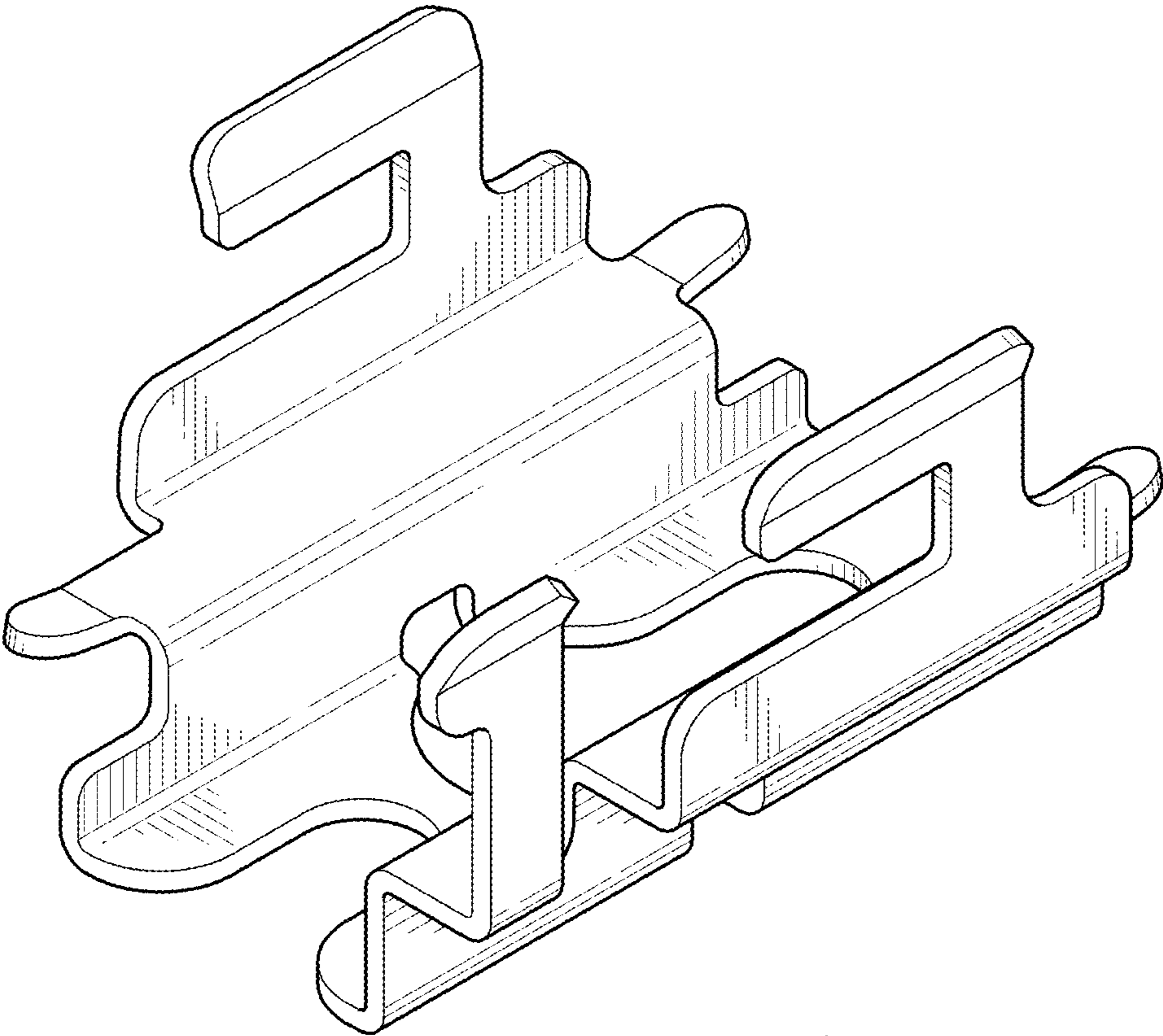


FIG. 1

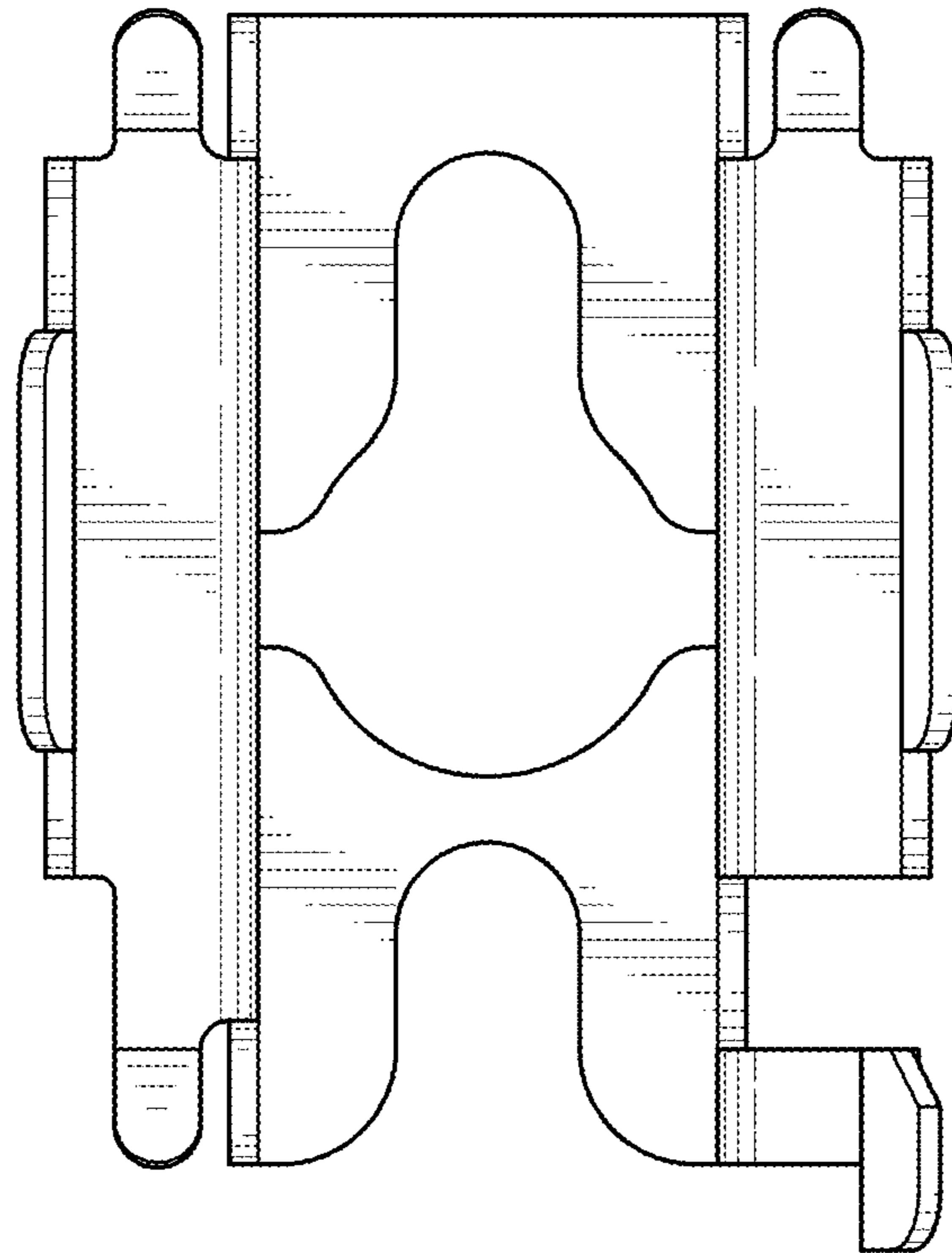


FIG. 3

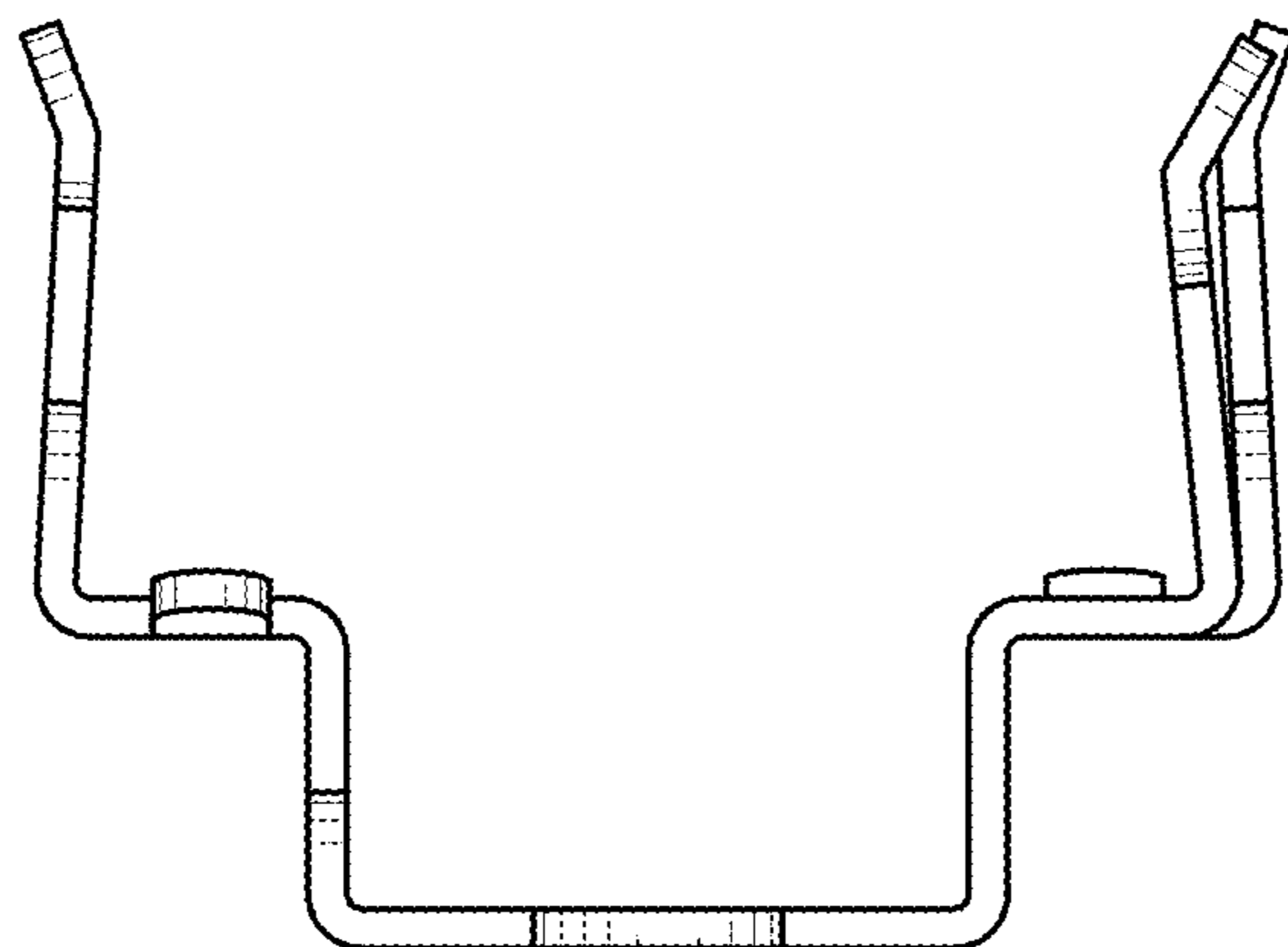


FIG. 2

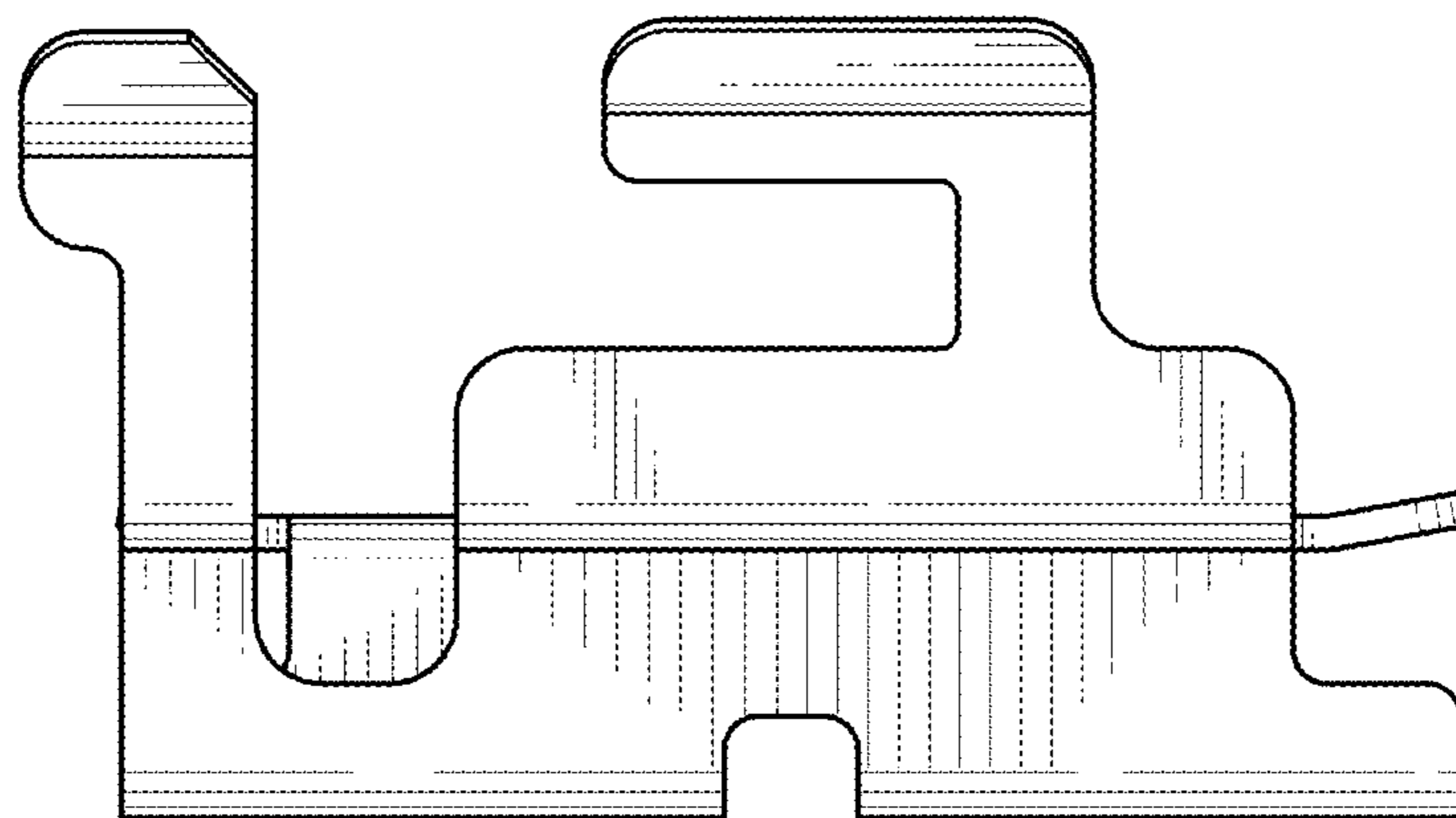


FIG. 4

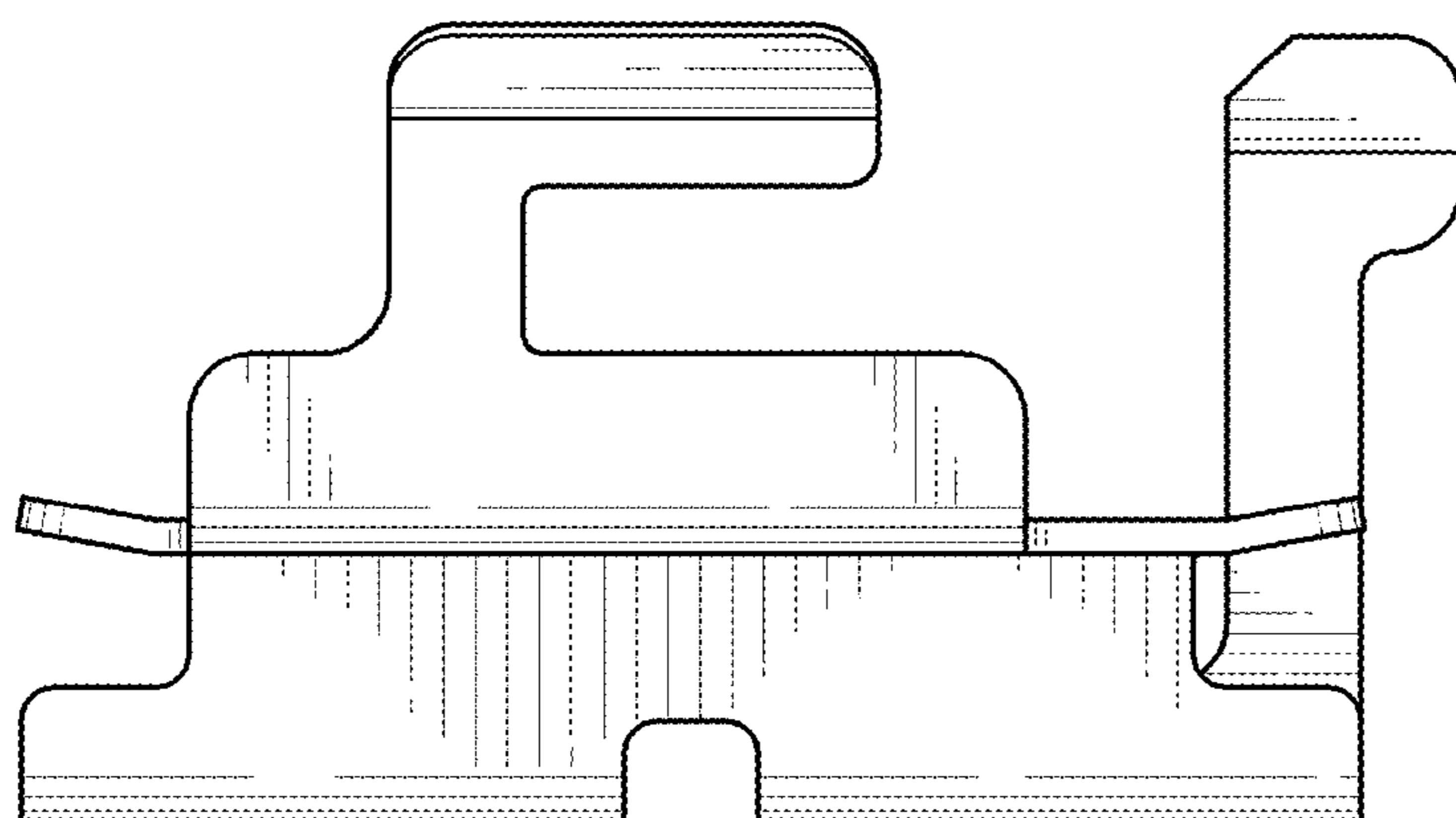


FIG. 5

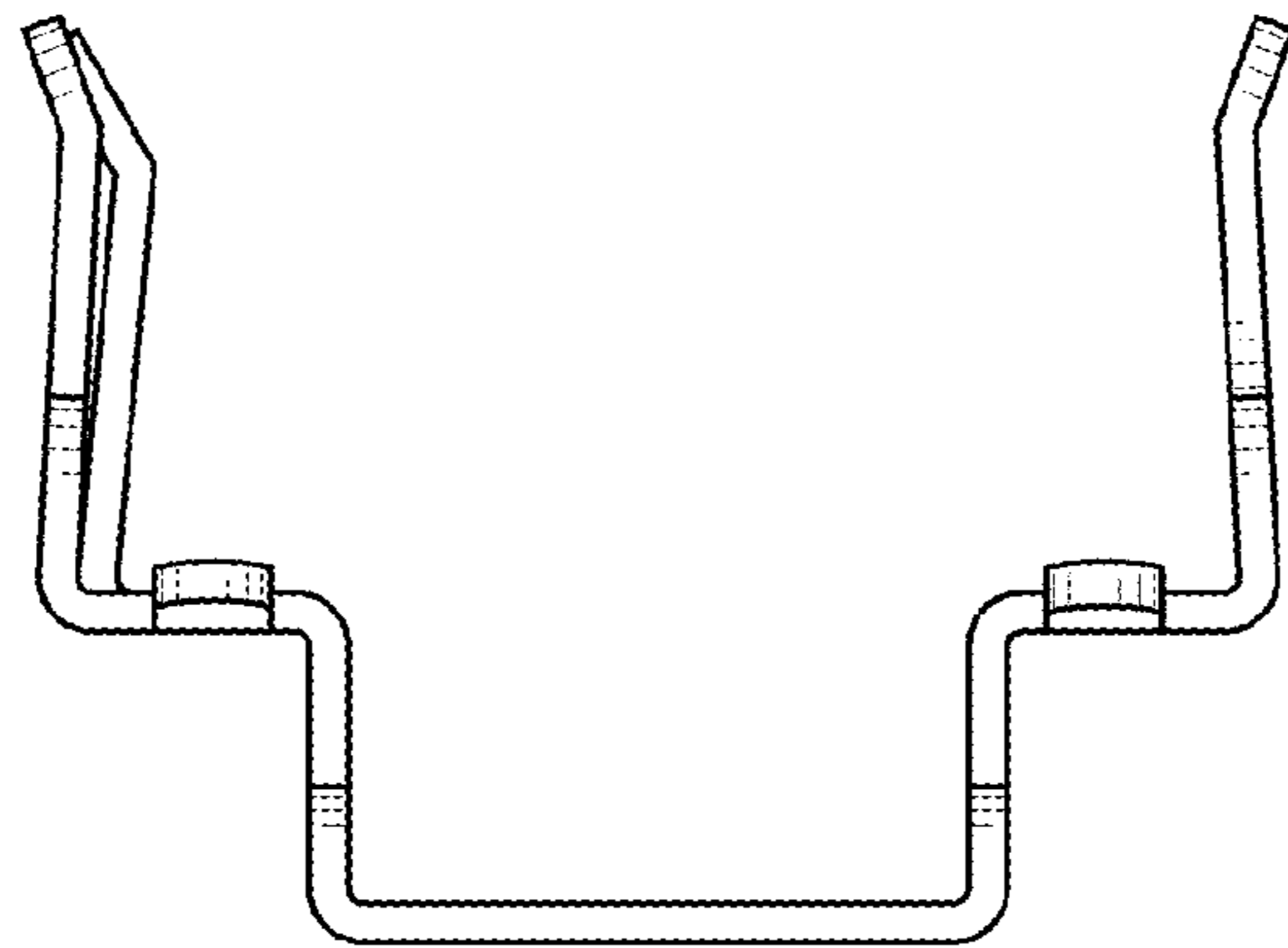


FIG. 6

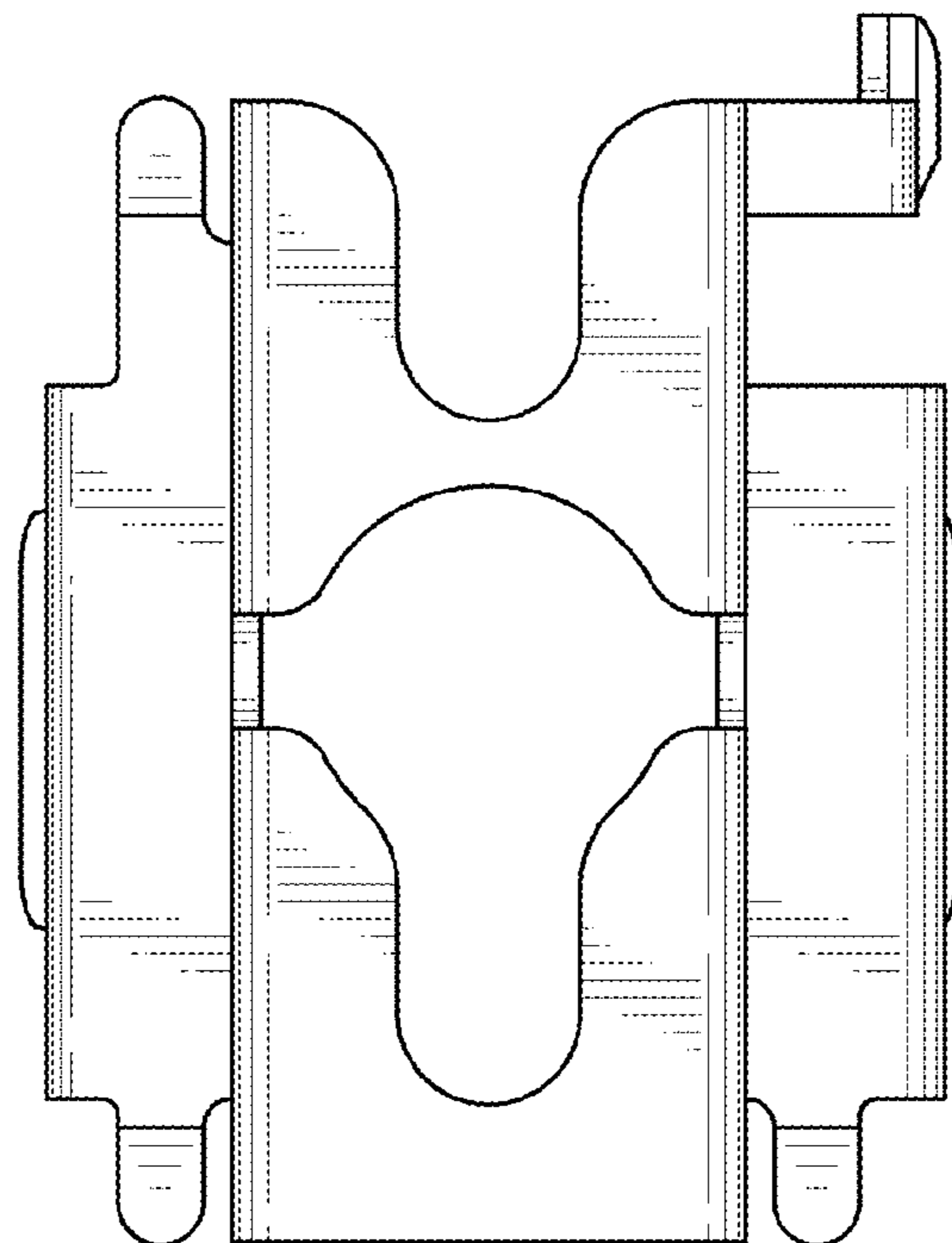


FIG. 7