



US00D767368S

(12) **United States Design Patent** (10) **Patent No.:** **US D767,368 S**
Sanford (45) **Date of Patent:** **** Sep. 27, 2016**

(54) **LOCKOUT DEVICE**

(71) Applicant: **Master Lock Company LLC**, Oak Creek, WI (US)

(72) Inventor: **Eric Douglas Sanford**, Milwaukee, WI (US)

(73) Assignee: **Master Lock Company LLC**, Oak Creek, WI (US)

(**) Term: **15 Years**

(21) Appl. No.: **29/532,161**

(22) Filed: **Jul. 2, 2015**

(51) **LOC (10) Cl.** **08-07**

(52) **U.S. Cl.**
USPC **D8/339; D8/330**

(58) **Field of Classification Search**
USPC D8/330, 331, 333, 339, 341, 343, 349, D8/354, 382, 394, 400; 70/57.1, 141, 164, 70/224, 431, 465, 466; 292/256, 262, 266, 292/289, 292, 340; 248/70, 73
CPC E05B 15/00; E05B 15/002; E05B 15/024; E05B 17/00; E05B 17/20; E05B 73/30
See application file for complete search history.

(56) **References Cited**

U.S. PATENT DOCUMENTS

4,021,063 A * 5/1977 Porter E05C 1/04
292/148
D267,698 S * 1/1983 Domes 292/148

(Continued)

OTHER PUBLICATIONS

Website printout; Clamps—Tools—Irwin Tools; <http://www.irwin.com/tools/browse/clamps>; copyright 2015; 1 page.

(Continued)

Primary Examiner — Prabhakar Deshmukh

(74) *Attorney, Agent, or Firm* — Calfee, Halter & Griswold LLP

(57) **CLAIM**

We claim the ornamental design for a lockout device, as shown and described.

DESCRIPTION

FIG. 1 is a front perspective view of a lockout device of the new design;

FIG. 2 is a rear perspective view of the lockout device of FIG. 1;

FIG. 3 is a top view of the lockout device of FIG. 1;

FIG. 4 is a left side view of the lockout device of FIG. 1;

FIG. 5 is a right side view of the lockout device of FIG. 1;

FIG. 6 is a bottom view of the lockout device of FIG. 1;

FIG. 7 is a rear view of the lockout device of FIG. 1;

FIG. 8 is a front view of the lockout device of FIG. 1;

FIG. 9 is a front perspective view of a lockout device of the new design, wherein the unclaimed cup portions of the lockout device are larger than the lockout device of FIG. 1;

FIG. 10 is a rear perspective view of the lockout device of FIG. 9;

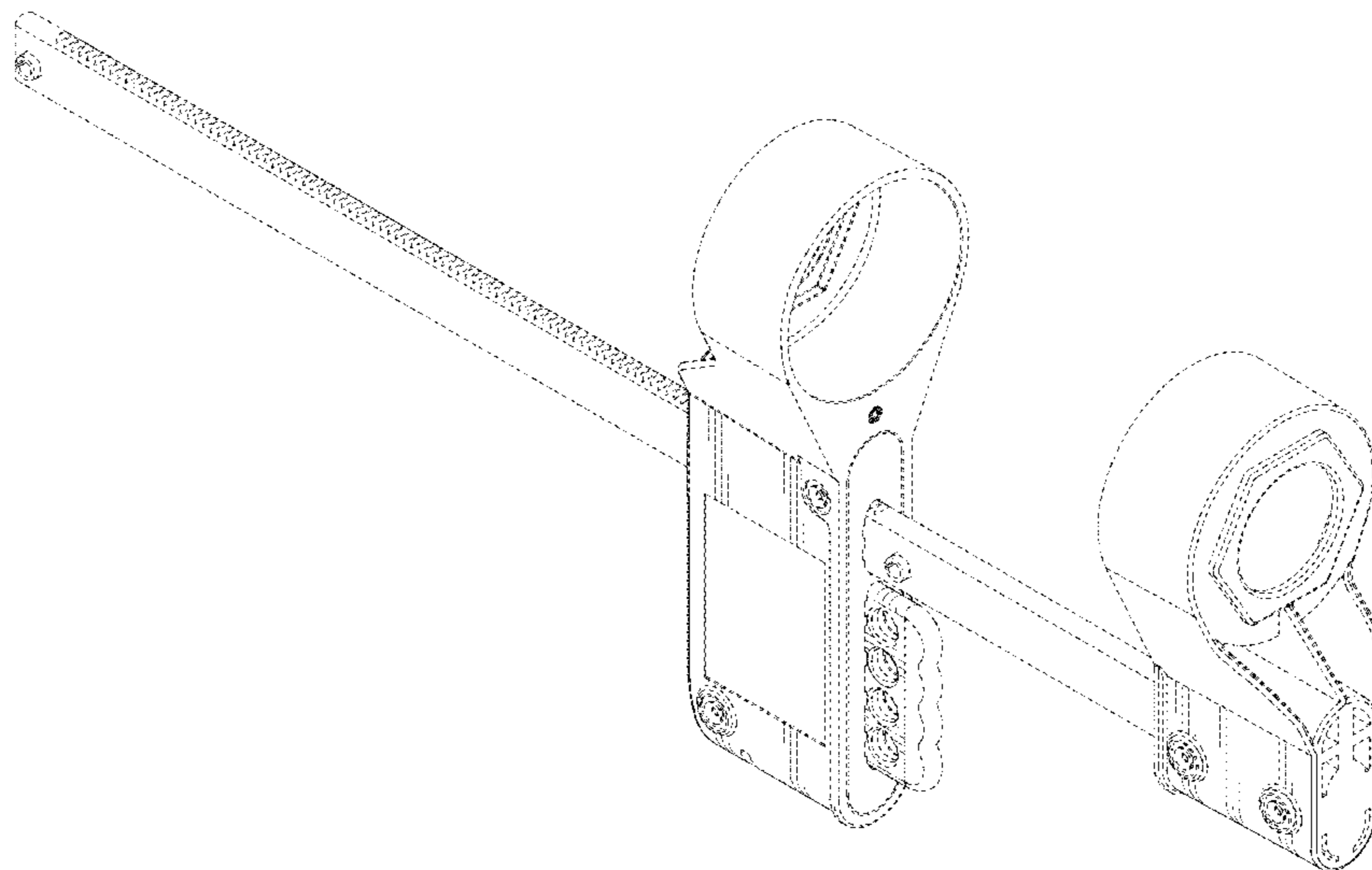
FIG. 11 is a front perspective view of a lockout device of the new design, wherein the unclaimed cup portions of the lockout device are smaller than the lockout device of FIG. 1; and,

FIG. 12 is a rear perspective view of the lockout device of FIG. 11.

The portions of the Figures shown in broken lines are for illustrative purpose only and form no part of the claimed design.

The shade lines adjacent to the broken lines define the bounds of the claimed design. The broken lines form no part of the claimed design.

1 Claim, 9 Drawing Sheets



(56)

References Cited

U.S. PATENT DOCUMENTS

D275,550 S * 9/1984 Johnson D8/331
5,312,139 A * 5/1994 Marks F16L 19/005
285/39
D351,985 S * 11/1994 Victor D8/331
5,481,888 A * 1/1996 Perry E05B 73/0005
403/312
5,868,015 A * 2/1999 Eaker E05B 67/383
292/148
5,950,462 A * 9/1999 Neeley E05B 13/001
70/175
6,644,075 B2 11/2003 Thompson

D540,150 S * 4/2007 Wilson D8/339
D710,183 S * 8/2014 Huddleston D8/339
D725,458 S * 3/2015 Plato D8/330
D750,952 S * 3/2016 Herzog D8/330

OTHER PUBLICATIONS

Website printout; Caulk gun; <http://www.homedepot.com/s/caulk%2520gun?NCNI-5>; copyright 2000-2015.
Website printout: Newborn Caulk guns; <http://www.newborncaulkguns.com/category/area/products/cartridge>; copyright 2015.

* cited by examiner

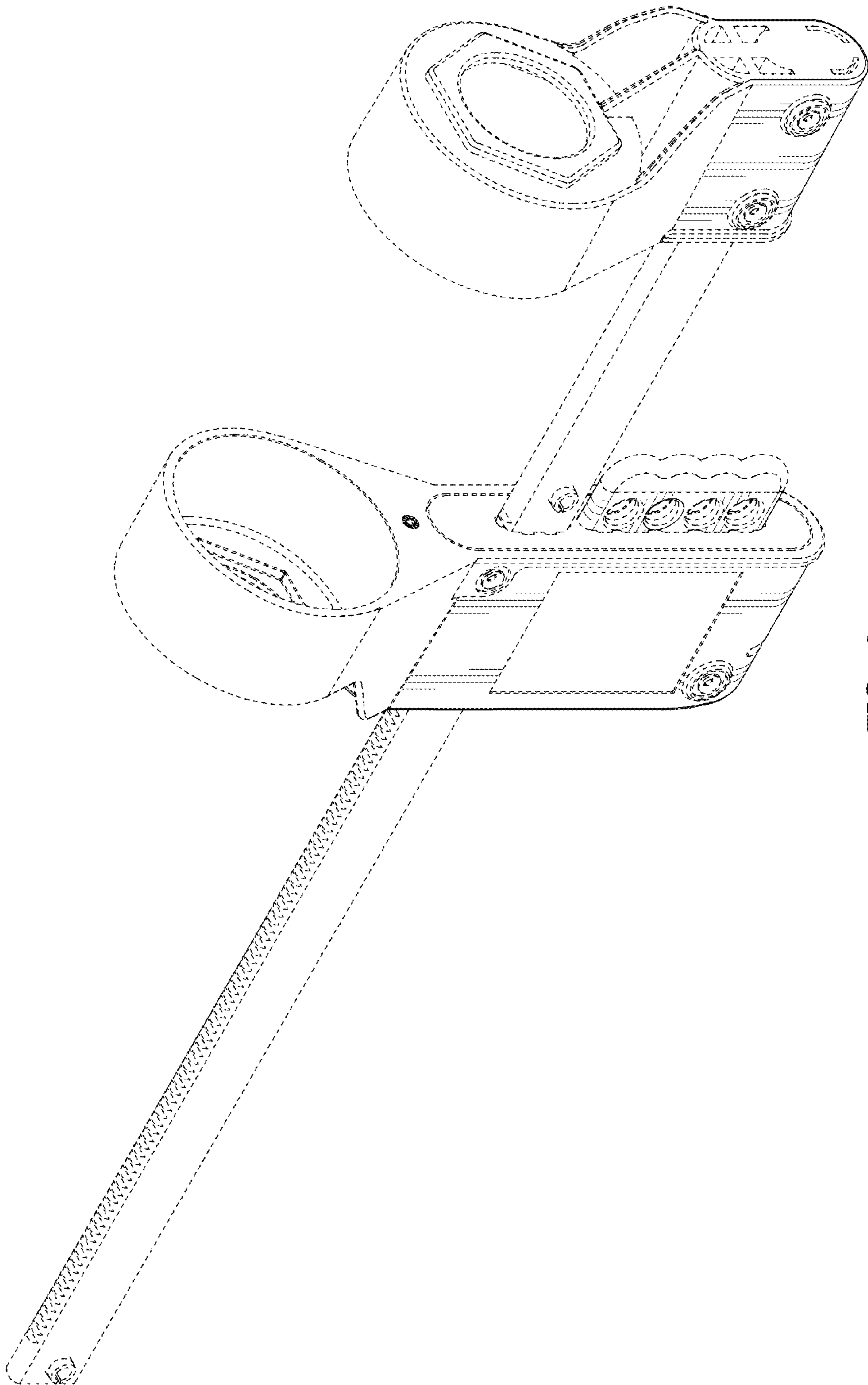


FIG. 1

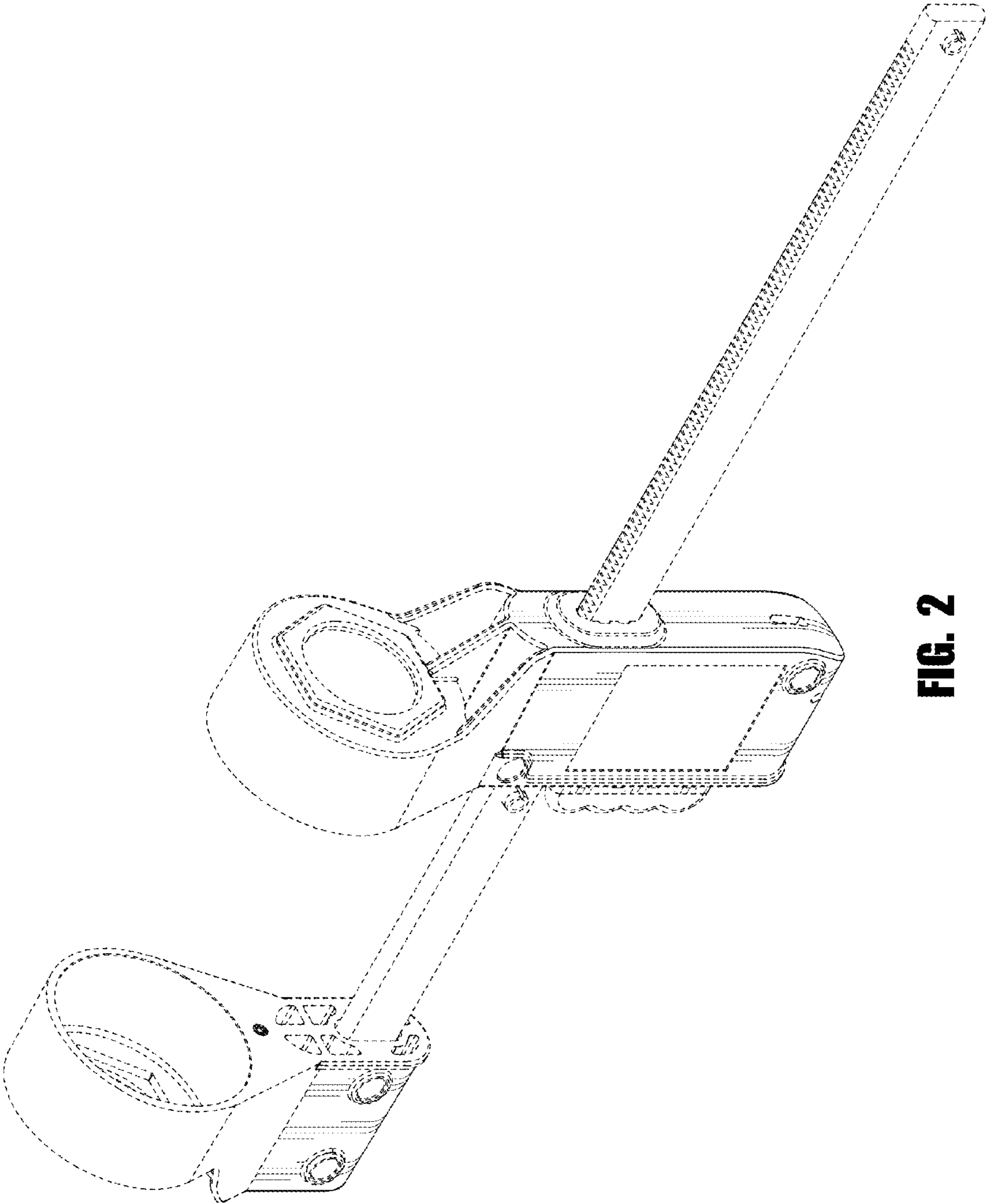


FIG. 2

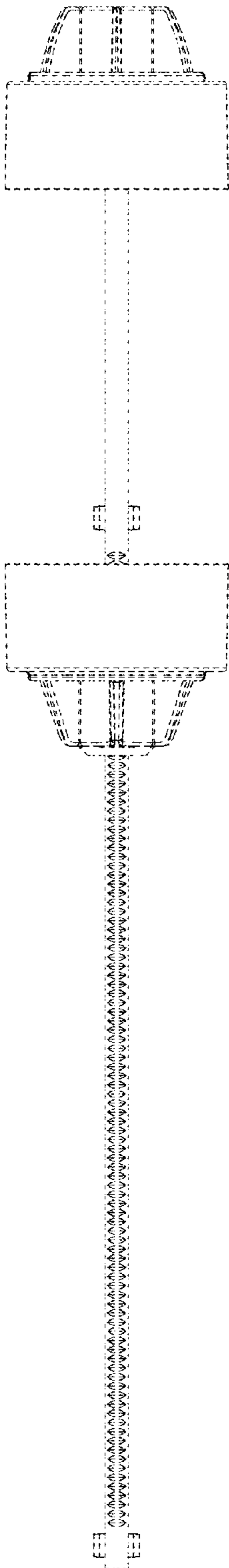


FIG. 3

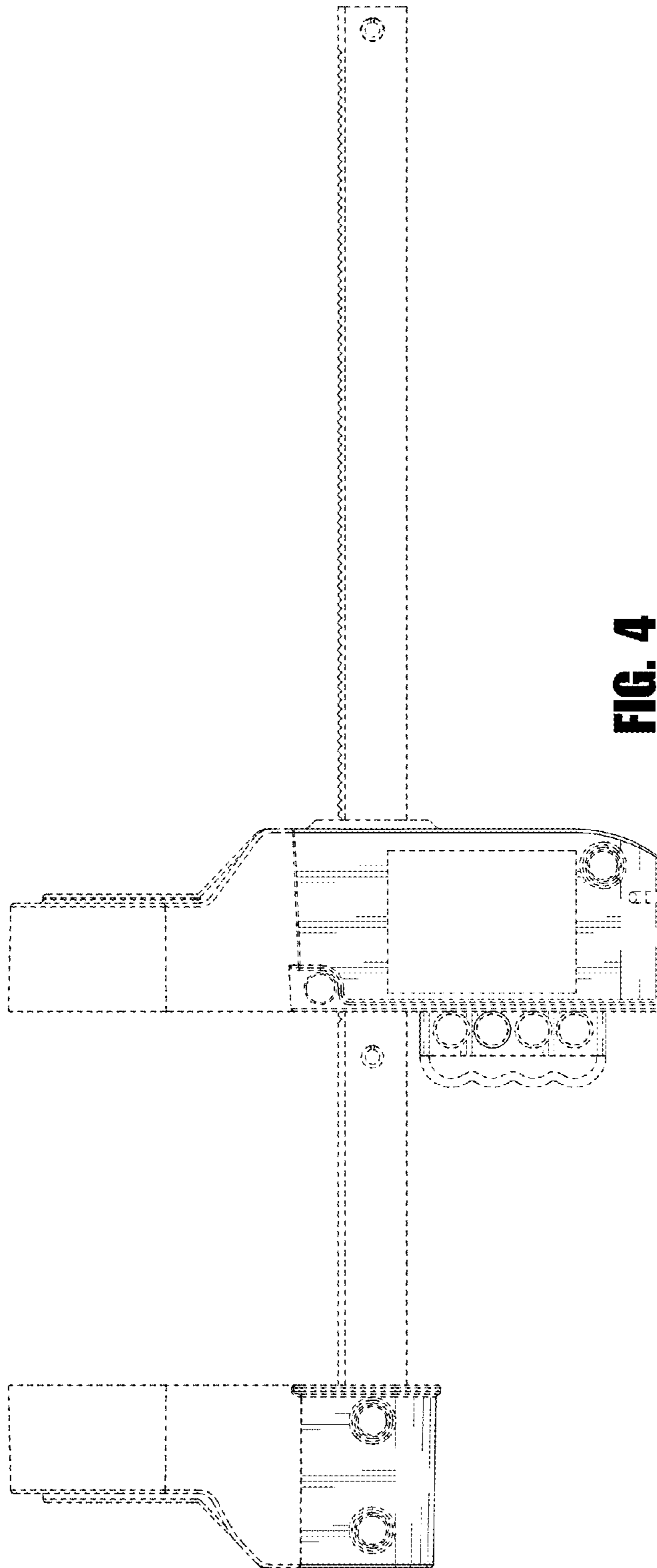
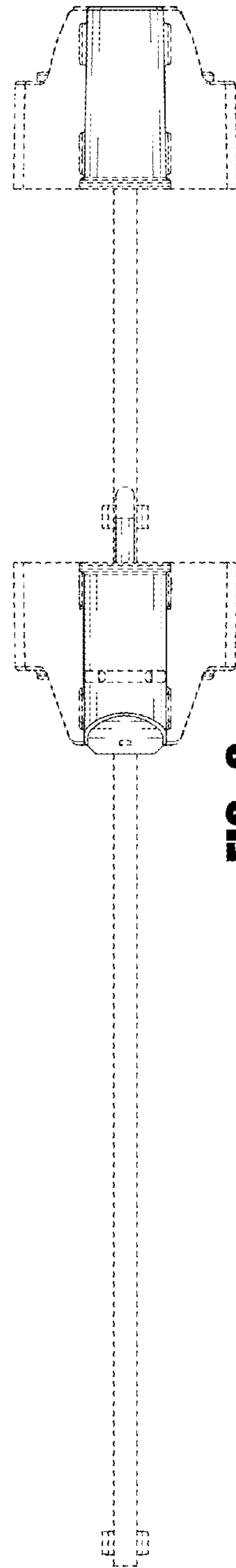
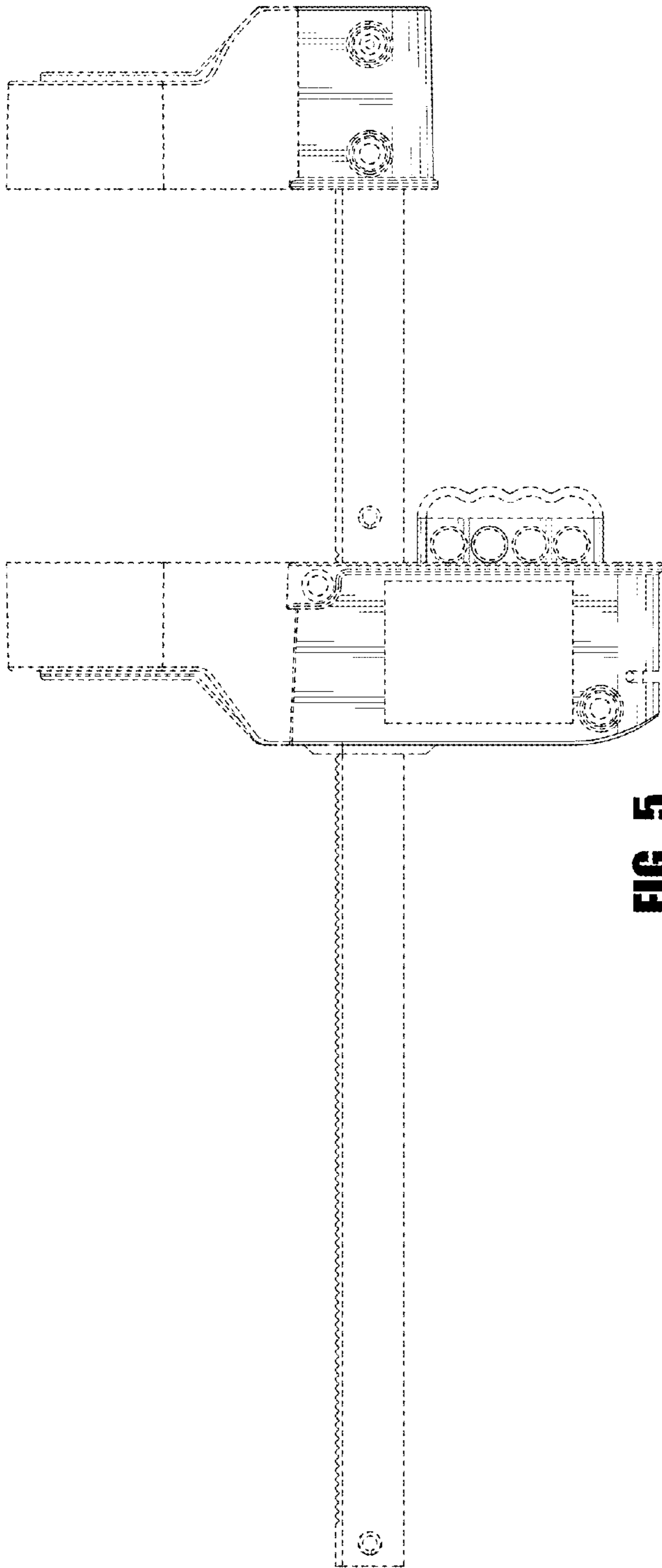


FIG. 4



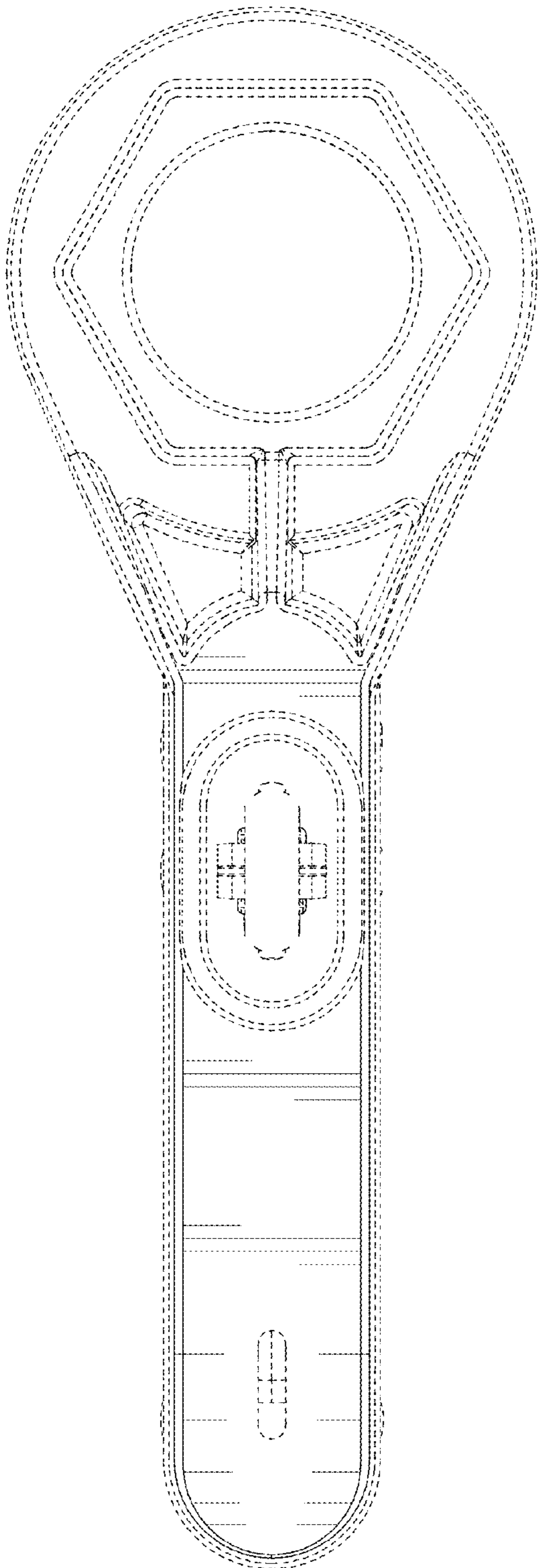


FIG. 7

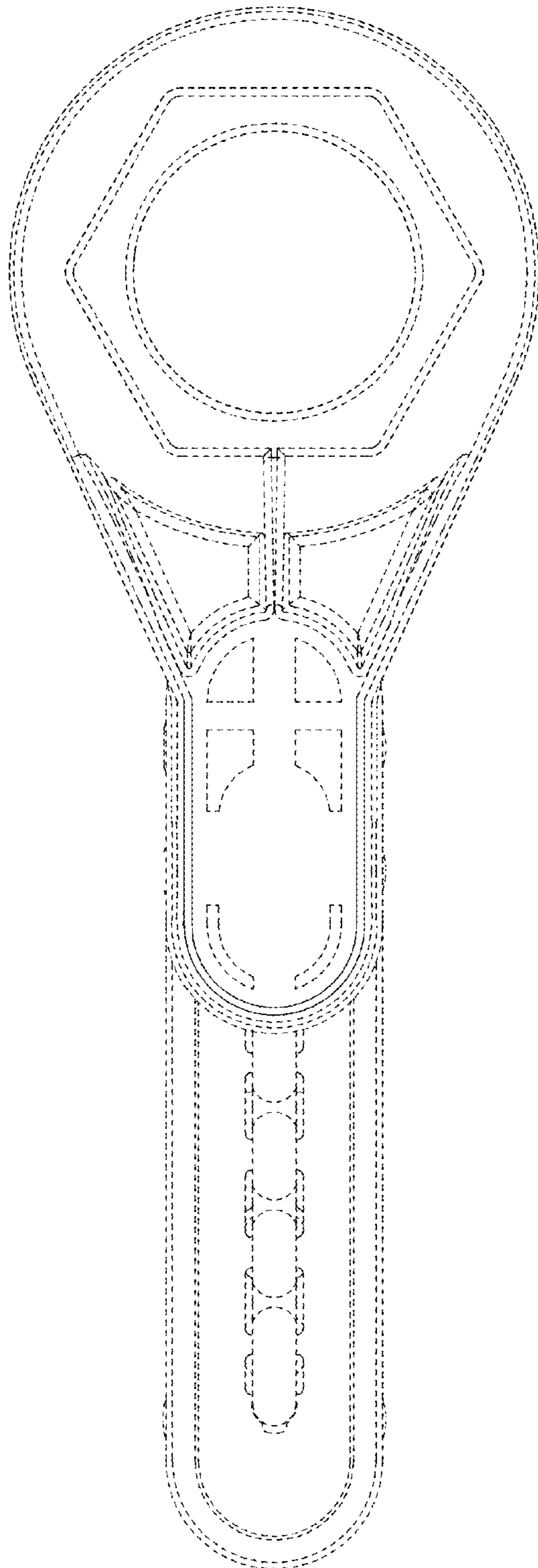


FIG. 8

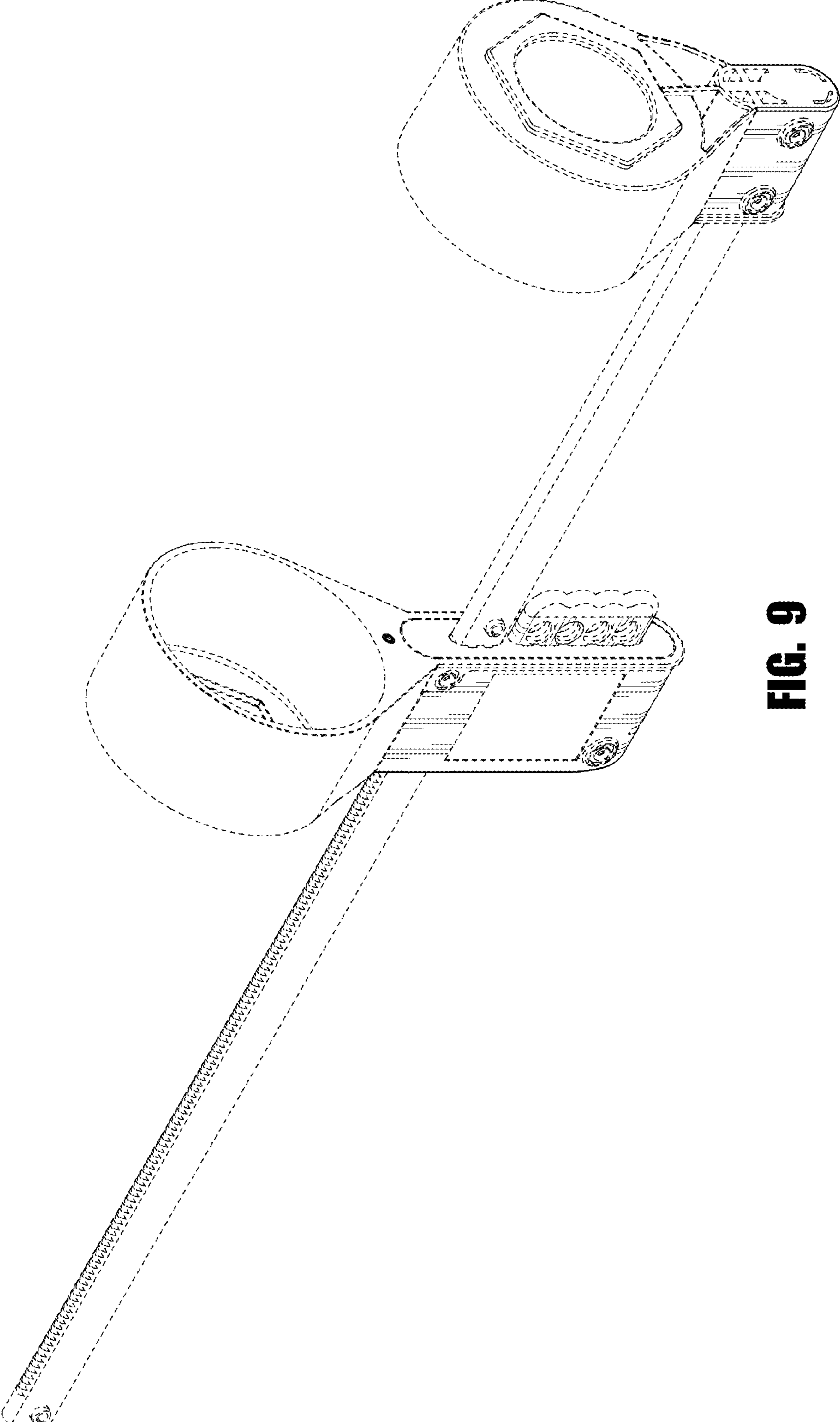


FIG. 9

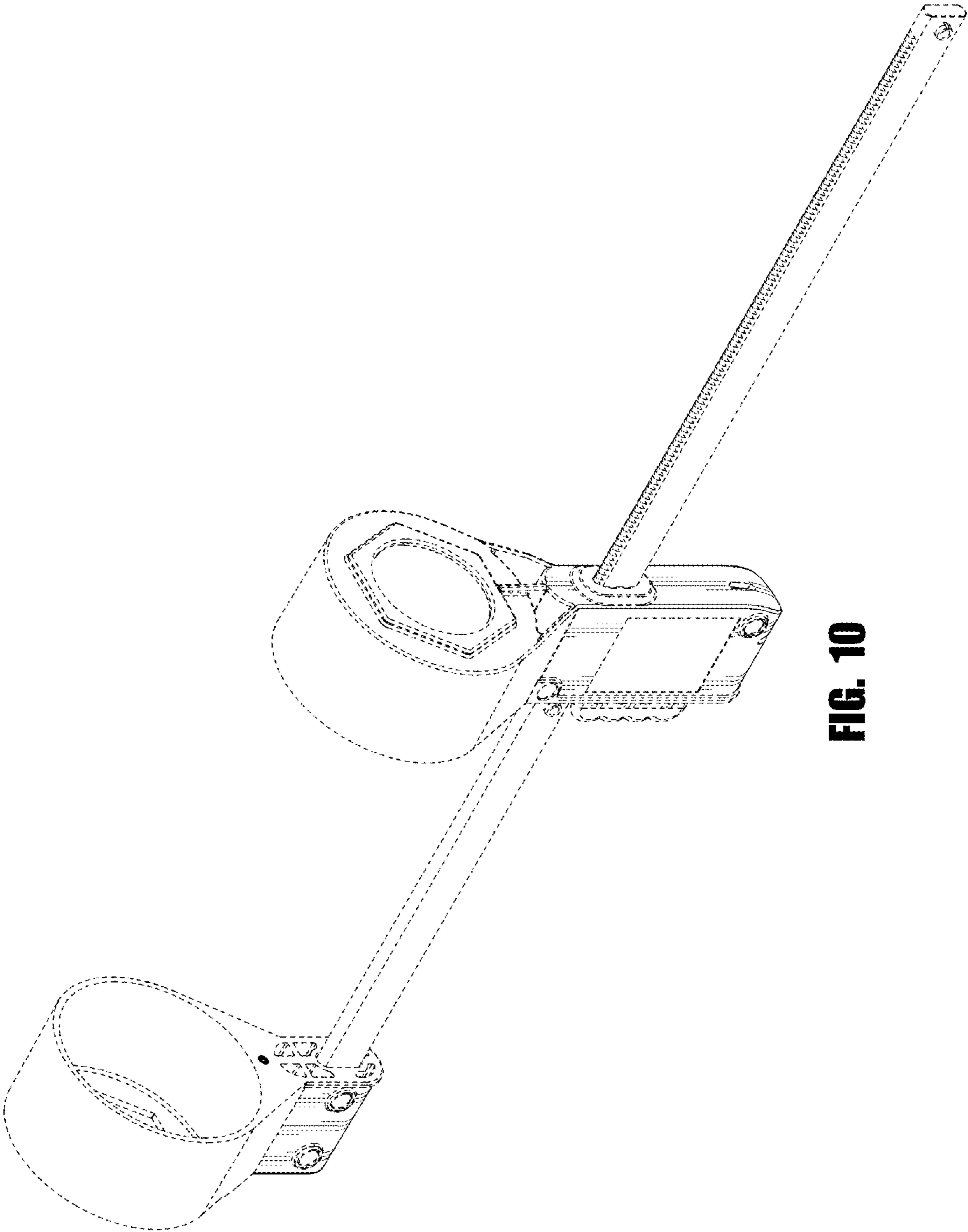


FIG. 10

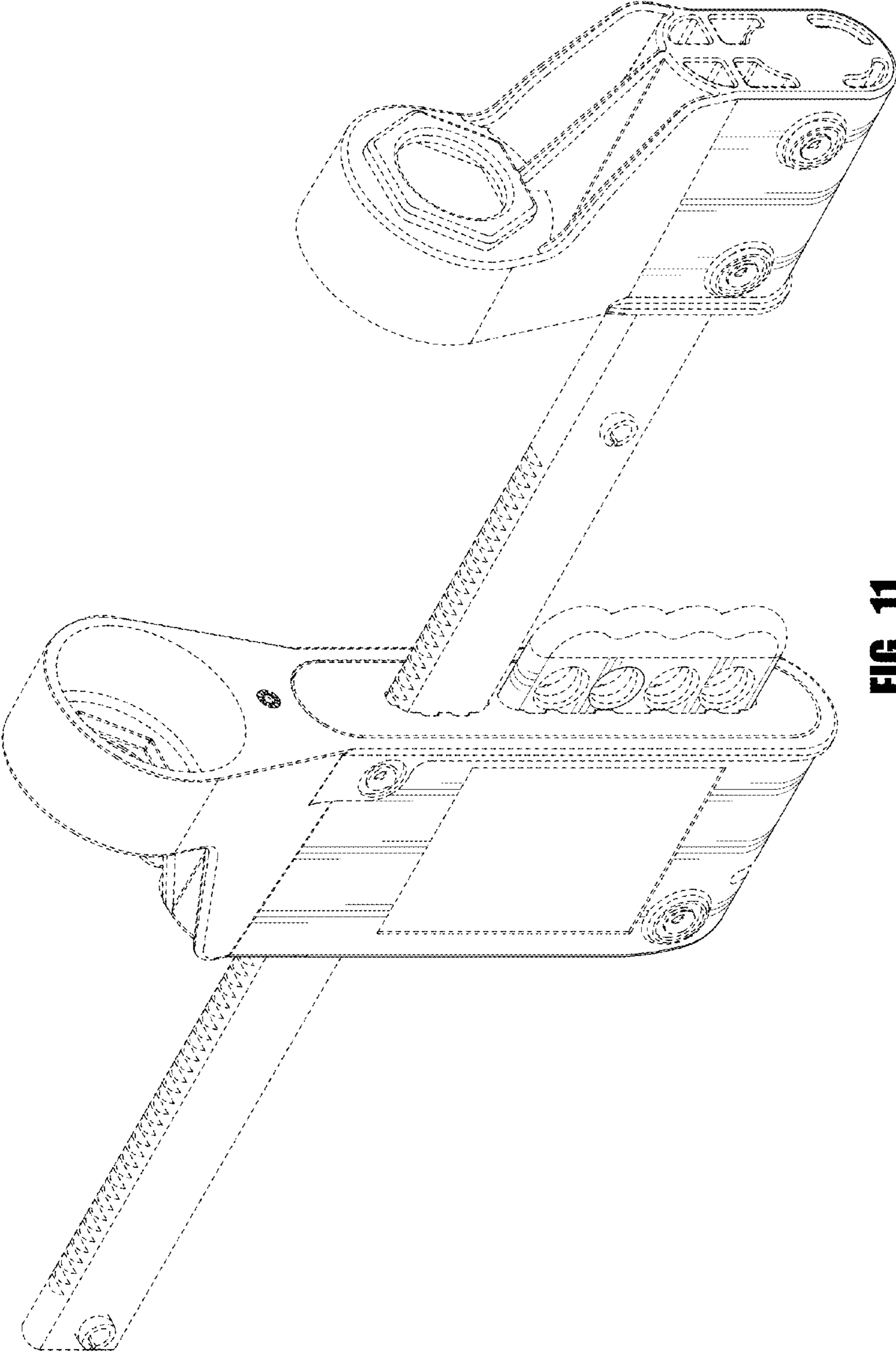


FIG. 11

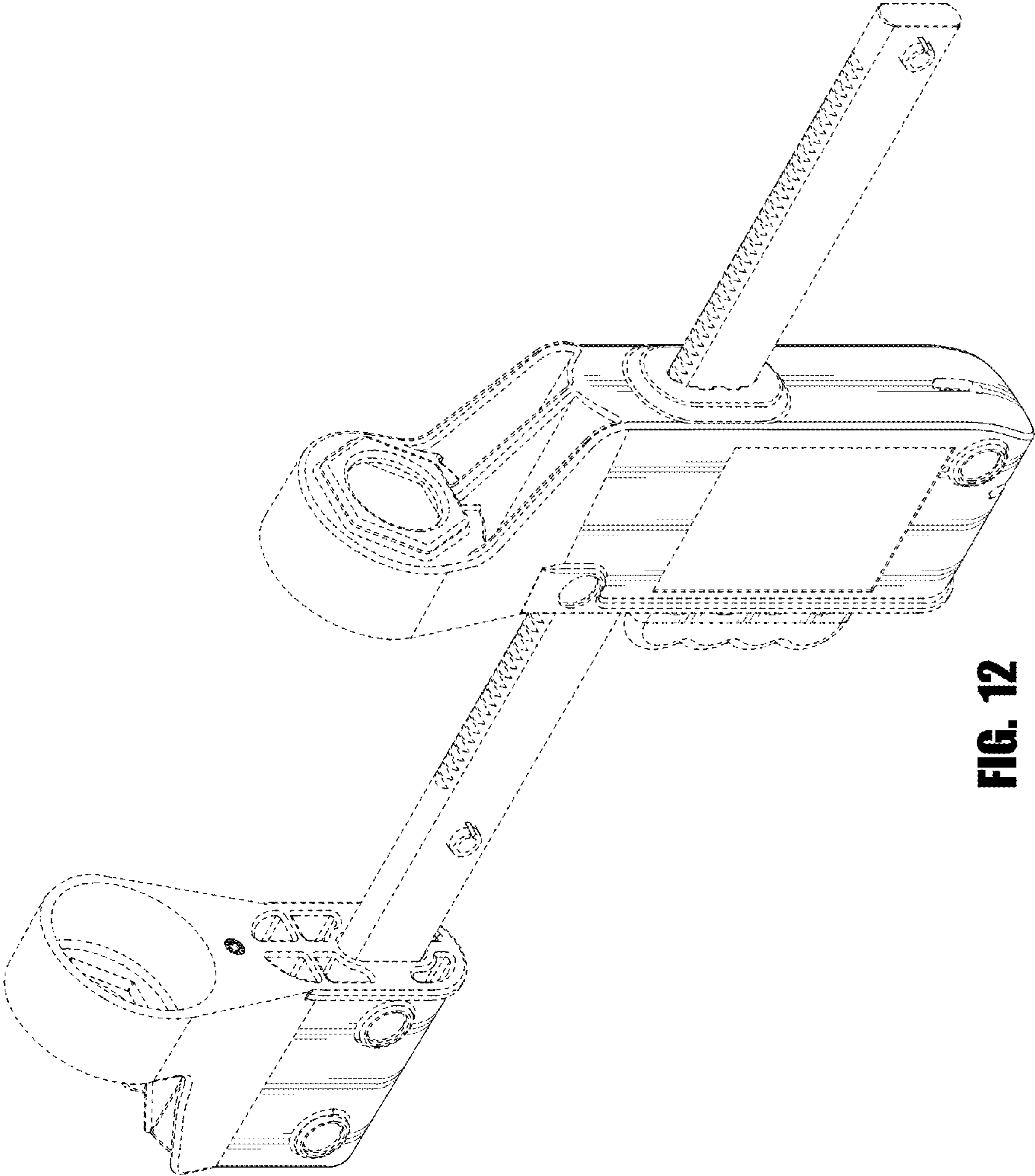


FIG. 12