



US00D767367S

(12) **United States Design Patent**
Fox et al.

(10) **Patent No.:** **US D767,367 S**
(45) **Date of Patent:** **** Sep. 27, 2016**

(54) **SCOOT LOCK**

(71) Applicant: **Cheryl Fox**, London (GB)
(72) Inventors: **Cheryl Fox**, London (GB); **Andrew Redman**, Bath (GB)
(73) Assignee: **Cheryl Fox**, London (GB)
(**) Term: **15 Years**

D402,180 S * 12/1998 Chappell D8/333
6,321,961 B1 * 11/2001 McDaid B62J 11/00
224/425
6,553,793 B1 * 4/2003 Chen B62H 5/18
70/233
6,948,878 B1 * 9/2005 Smith, Jr. F16B 2/185
403/110
6,994,192 B1 * 2/2006 Chang B62H 5/00
188/265
7,318,563 B2 * 1/2008 Houts B62H 5/003
242/587
7,661,280 B1 * 2/2010 Weyland B62H 5/003
224/425

(21) Appl. No.: **29/529,266**

(22) Filed: **Jun. 5, 2015**

(30) **Foreign Application Priority Data**

Dec. 6, 2014 (GB) 4038549
Dec. 6, 2014 (GB) 4038550
Dec. 6, 2014 (GB) 4038551

(51) **LOC (10) Cl.** **08-07**

(52) **U.S. Cl.**
USPC **D8/333**; D8/339; D8/330

(58) **Field of Classification Search**
USPC D8/330, 331, 333, 339, 349, 304;
70/1.5, 14, 57.1, 233, 237, 465, 466
CPC E05B 9/00; E05B 39/00; E05B 71/00;
E05B 83/00; E05B 83/04; E05B 77/00
See application file for complete search history.

(56) **References Cited**

U.S. PATENT DOCUMENTS

5,661,991 A * 9/1997 Hsu E05B 37/02
70/312
D389,031 S * 1/1998 Lam D8/333

* cited by examiner

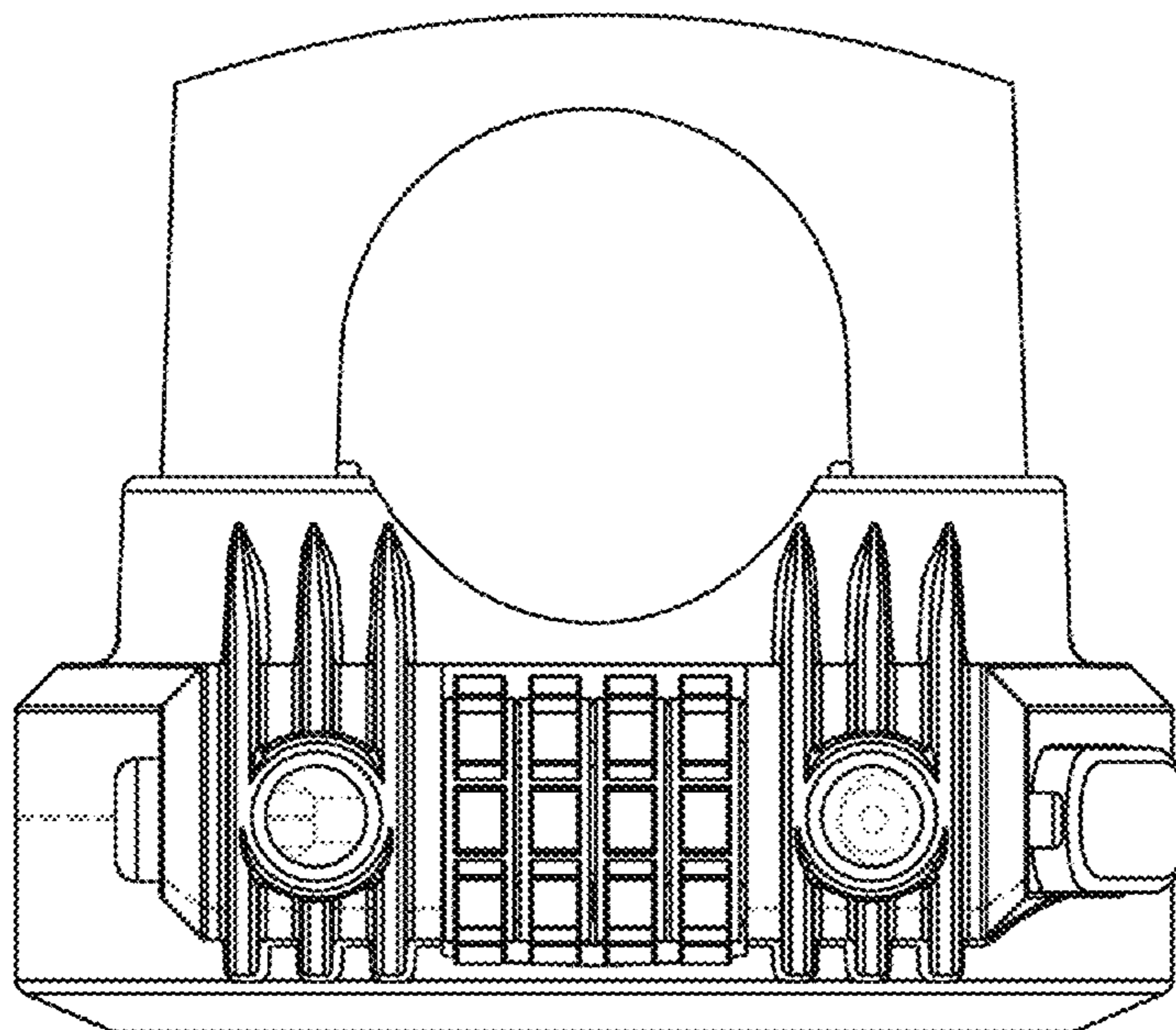
Primary Examiner — Prabhakar Deshmukh
(74) *Attorney, Agent, or Firm* — Michael Soderman

(57) **CLAIM**
The ornamental design for a scoot lock, as shown and described.

DESCRIPTION

FIG. 1 is a top plan view of a scoot lock showing our new design;
FIG. 2 is a top, rear, right perspective view thereof;
FIG. 3 is a top, front, right perspective view thereof;
FIG. 4 is a rear elevational view thereof;
FIG. 5 is a right side elevational view thereof;
FIG. 6 is a left side elevational view thereof;
FIG. 7 is a front elevational view thereof; and,
FIG. 8 is a bottom plan view thereof.
The broken lines indicate unclaimed portions and form no part of the claimed design.

1 Claim, 8 Drawing Sheets



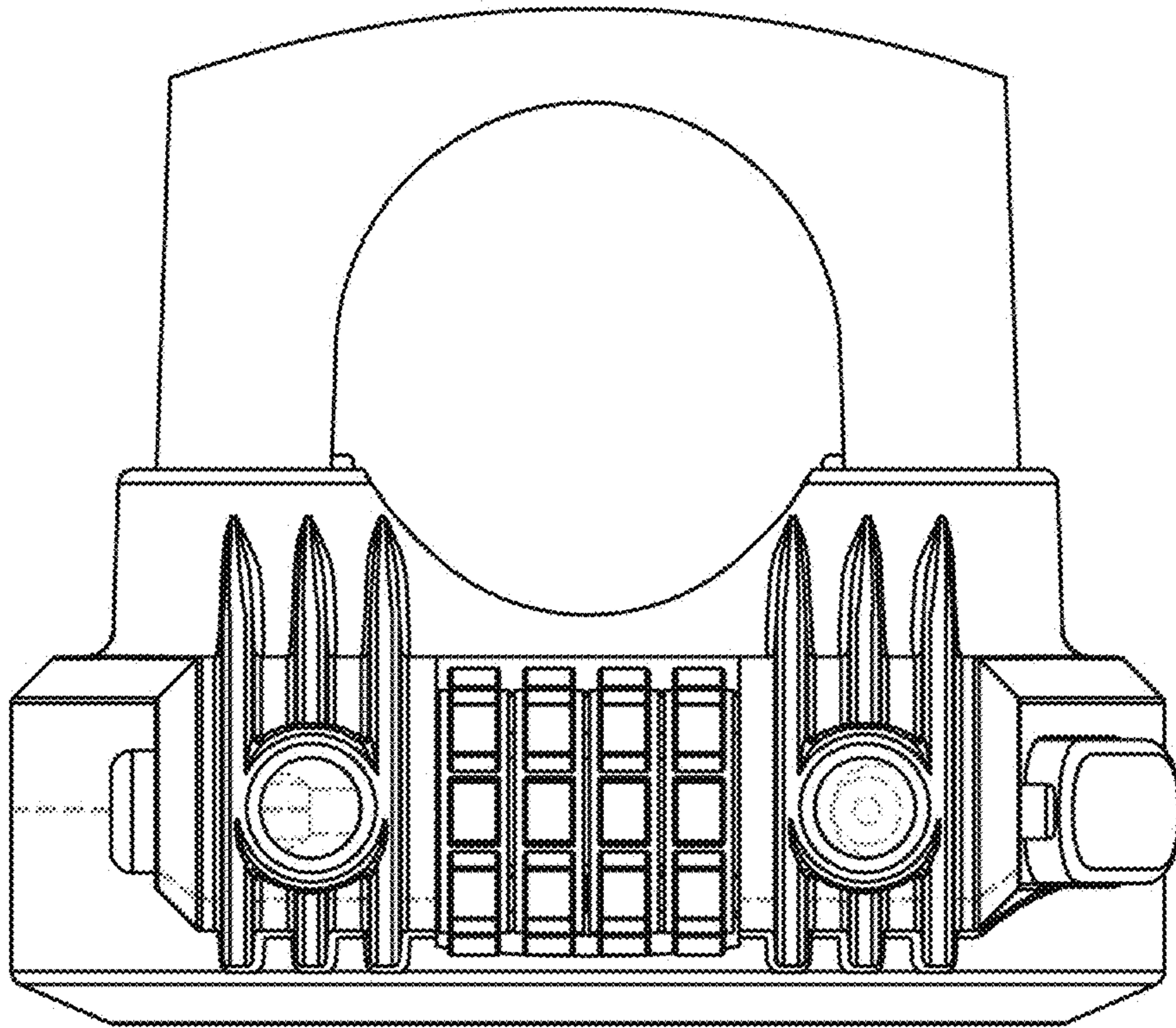


FIG 1

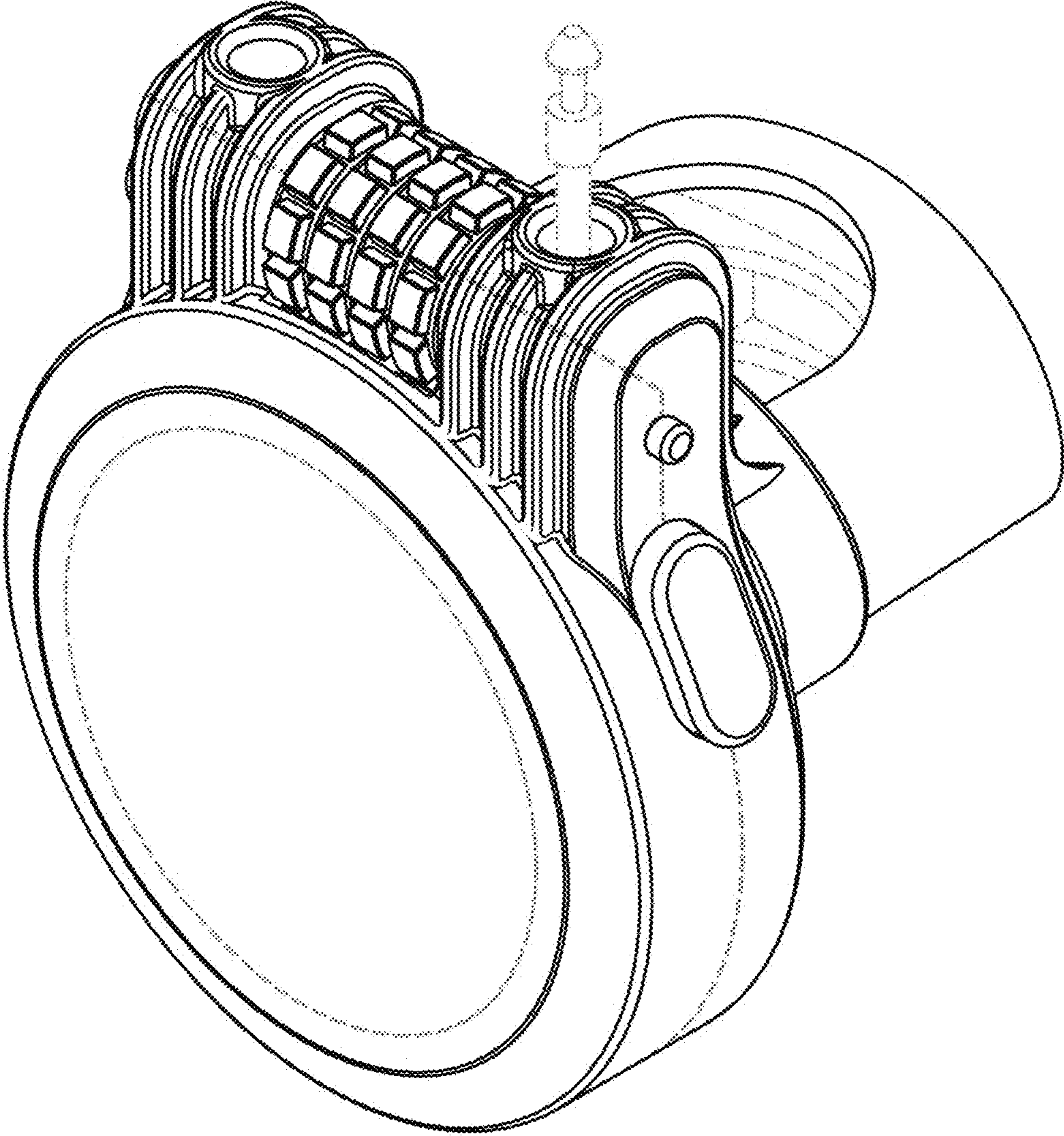


FIG 2

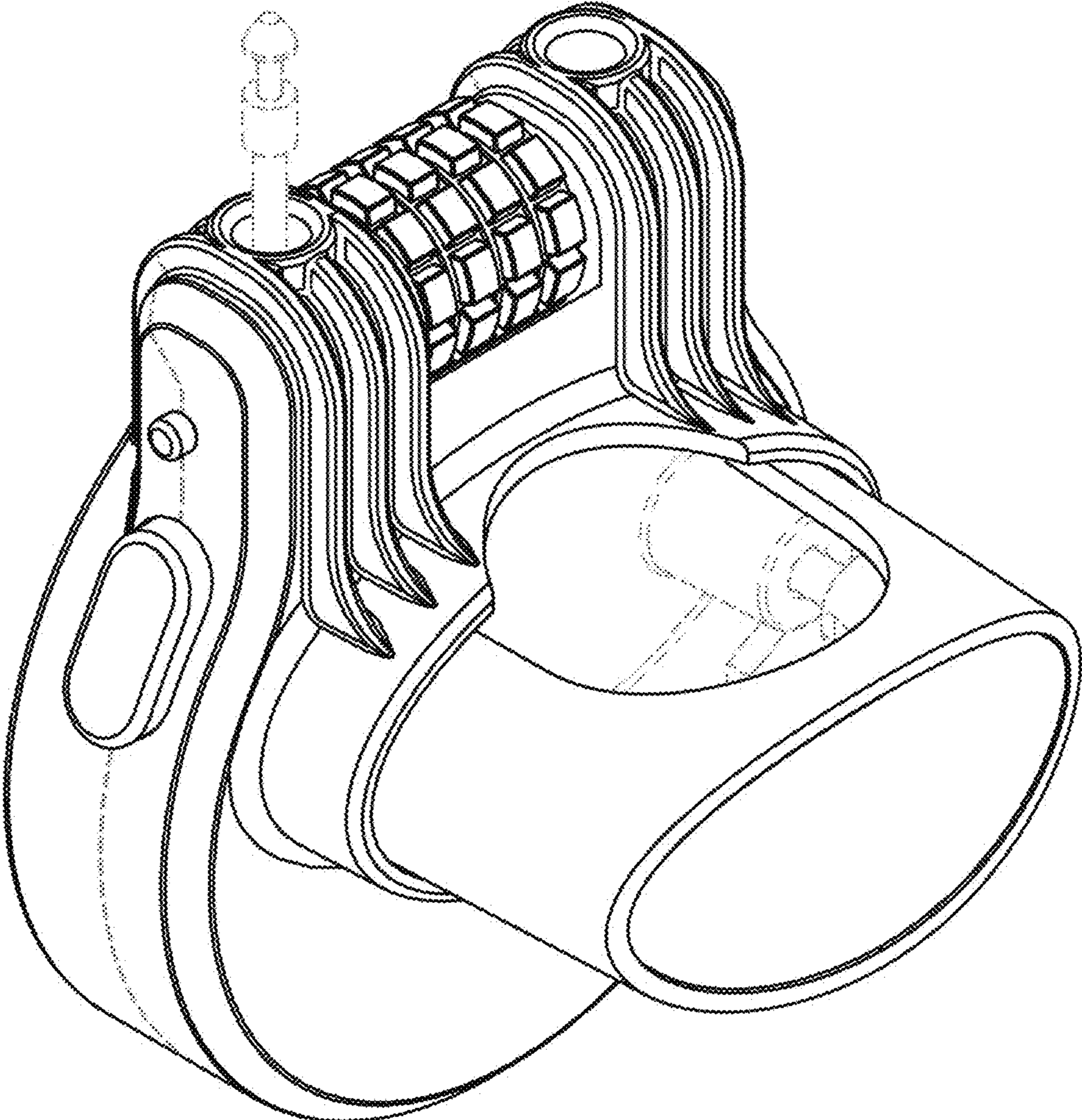


FIG 3

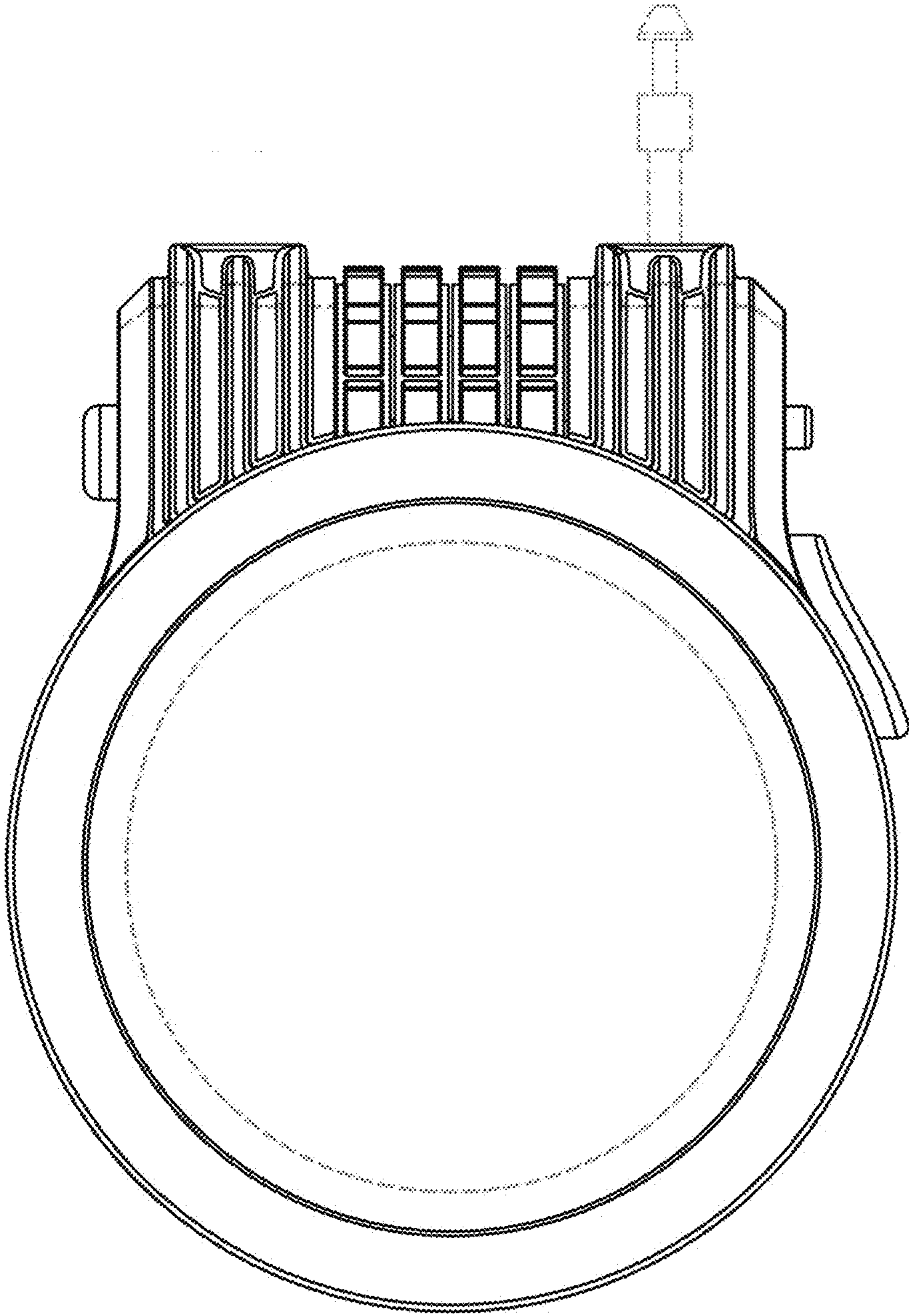


FIG 4

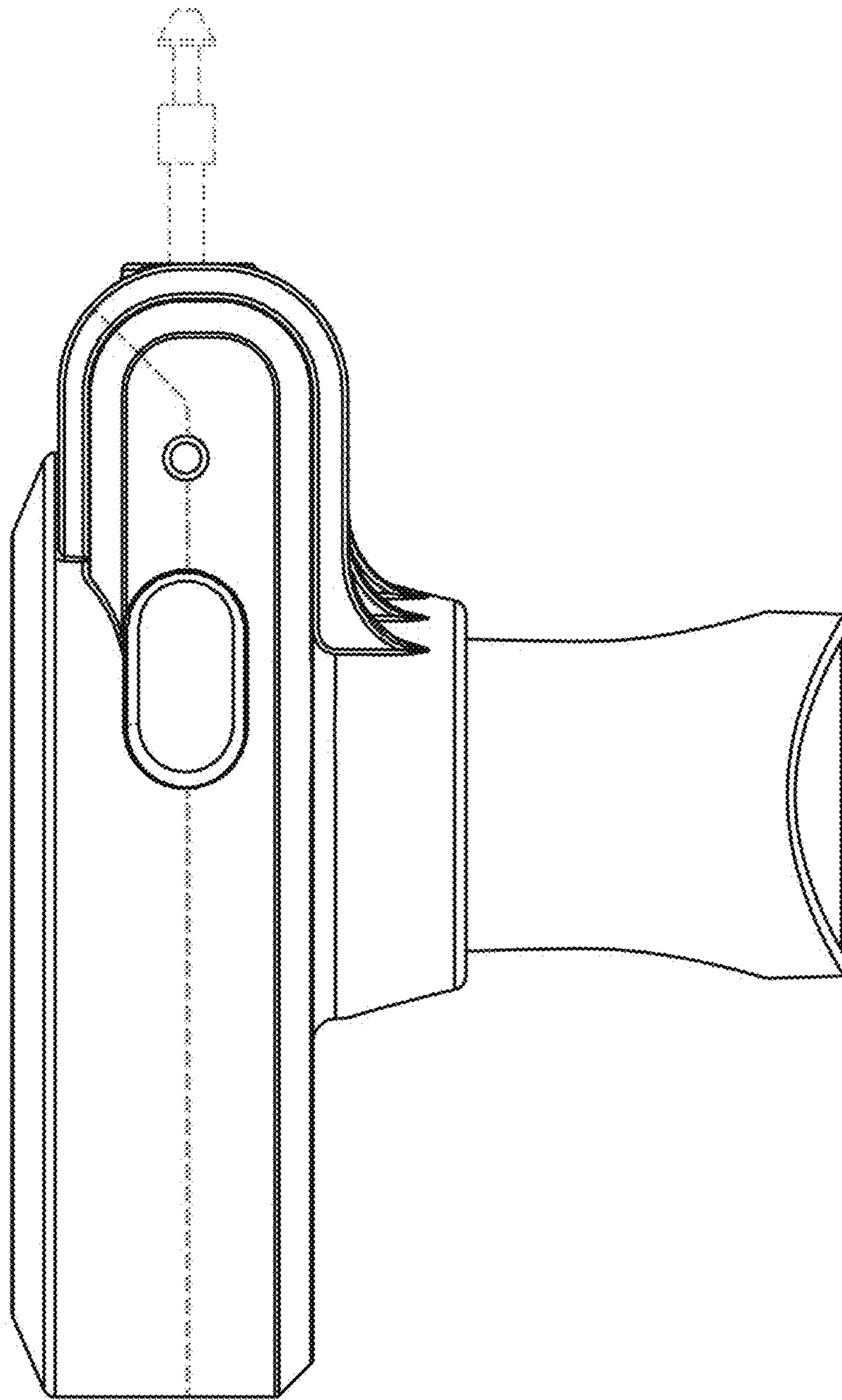


FIG 5

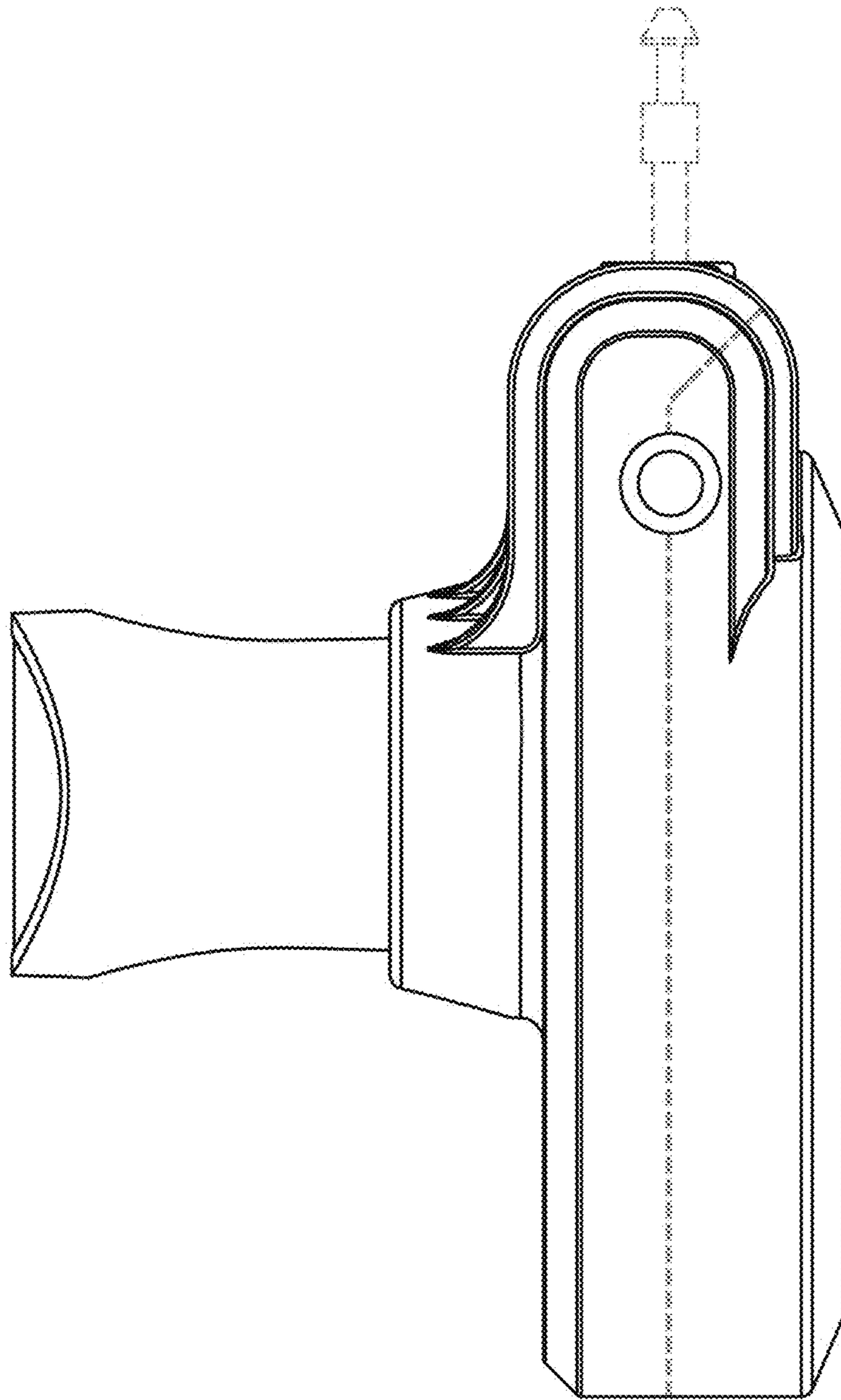


FIG 6

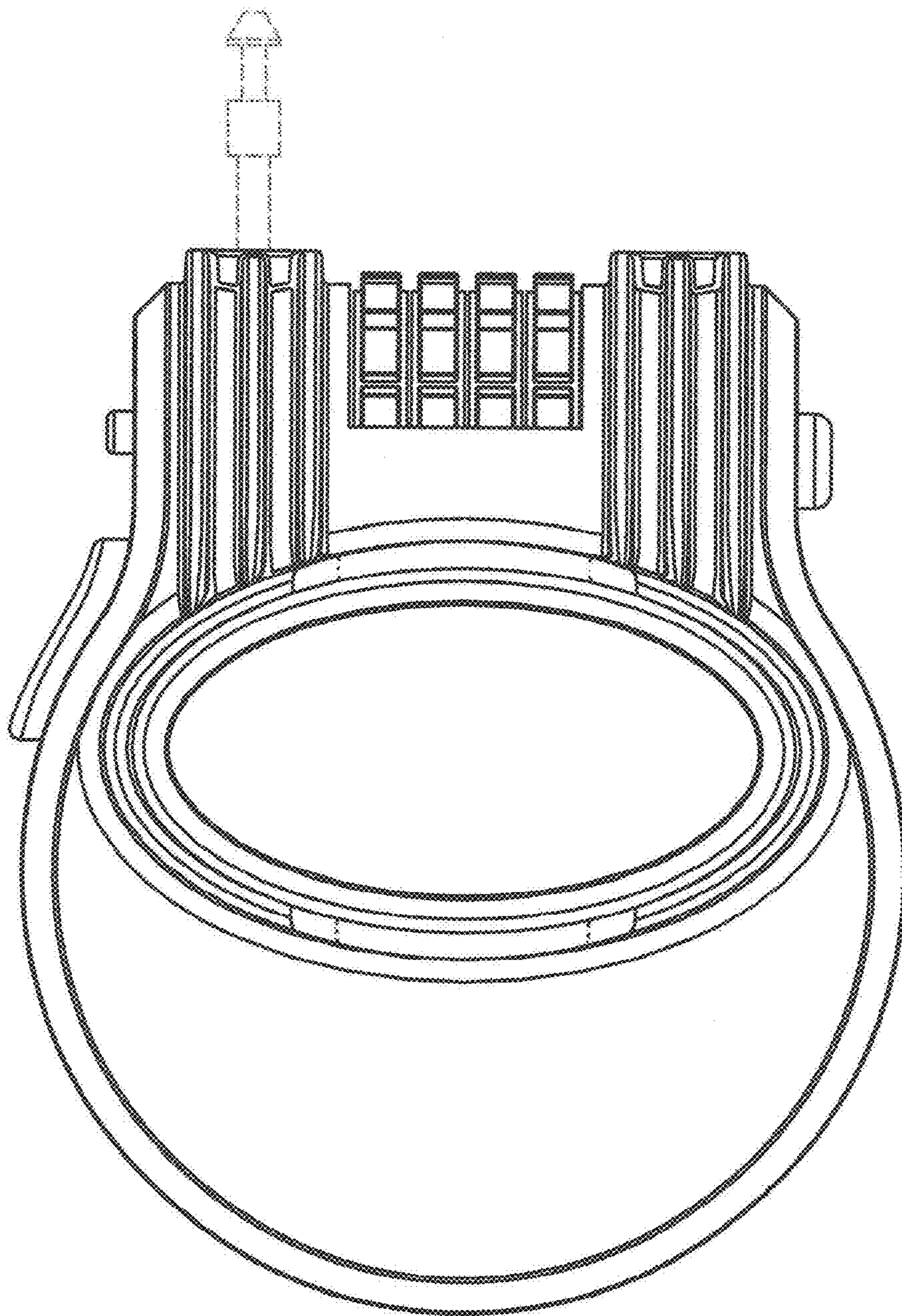


FIG 7

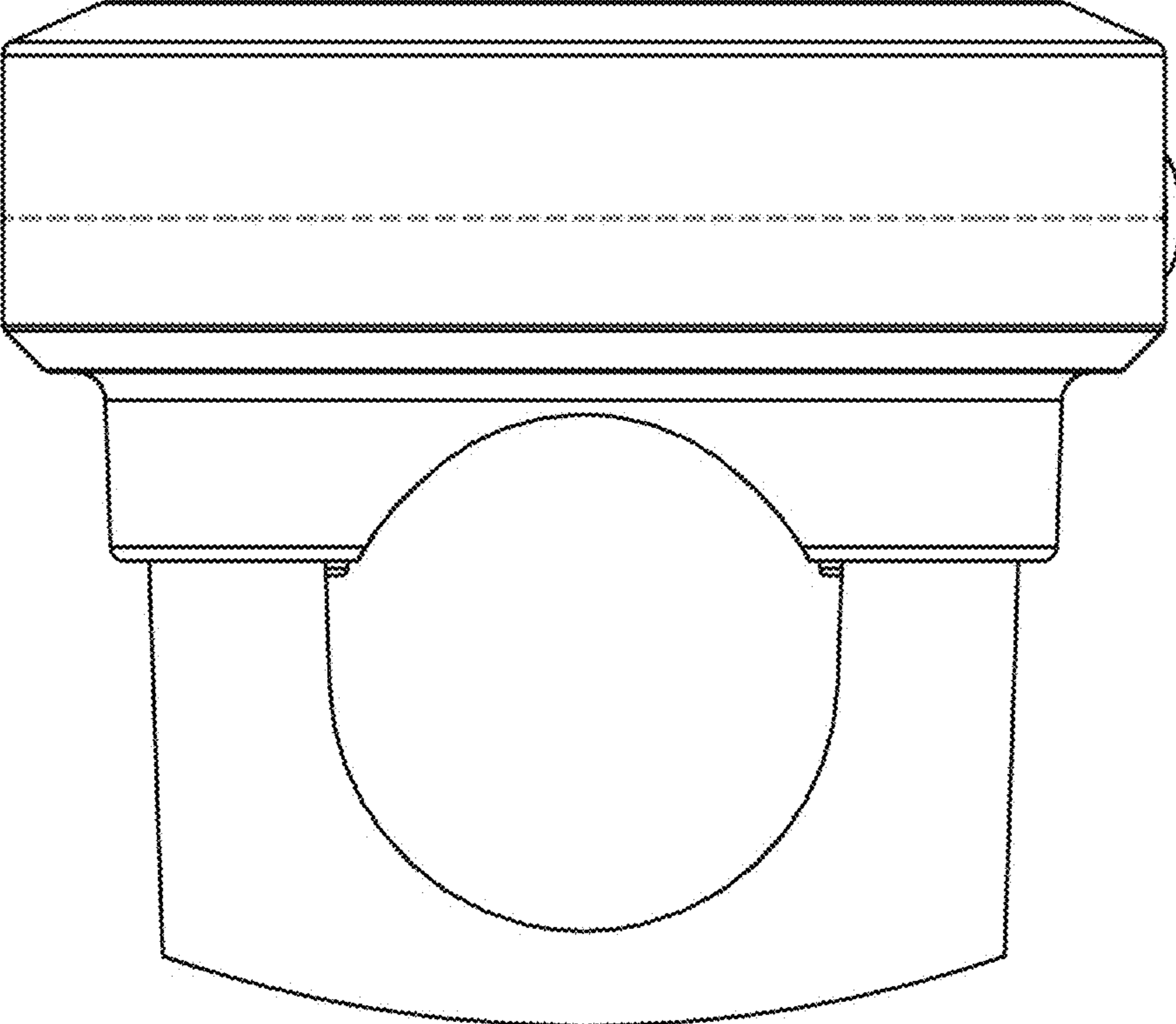


FIG 8