



US00D767366S

(12) **United States Design Patent**  
**Robinson**

(10) **Patent No.:** **US D767,366 S**

(45) **Date of Patent:** **\*\* Sep. 27, 2016**

(54) **LOCK EXTENSION DEVICE**

(71) Applicant: **Astrum Coaching Limited**, Auckland (NZ)

(72) Inventor: **Lance Robinson**, Orange (AU)

(73) Assignee: **ASTRUM COACHING LIMITED**, Auckland (NZ)

(\*\*) Term: **15 Years**

(21) Appl. No.: **29/537,732**

(22) Filed: **Aug. 28, 2015**

(51) **LOC (10) Cl.** ..... **08-07**

(52) **U.S. Cl.**  
USPC ..... **D8/331; D8/343; D8/339**

(58) **Field of Classification Search**  
USPC ..... D8/330, 331, 333, 339, 343, 344, 345, D8/349, 354, 355, 356, 367, 382; 70/14, 70/49, 58, DIG. 63, DIG. 35, 30, 51, 52, 70/57, 57.1, 141, 431, 465, 466, 29; 292/256, 262, 281, 285, 288, DIG. 30; 24/458, 455, 572.1, 573.09, 265 R, 24/307 R

CPC ..... E05C 19/10; E05C 19/18; E05B 73/00; B25G 3/00; B25G 3/12

See application file for complete search history.

(56) **References Cited**

**U.S. PATENT DOCUMENTS**

1,510,635 A \* 10/1924 Strmic ..... E05B 37/02 70/25  
3,955,842 A \* 5/1976 Edwards ..... A44B 19/301 292/307 R

D339,974 S \* 10/1993 Wilcox ..... D8/343  
D402,181 S \* 12/1998 Hayes ..... D8/343  
D601,915 S \* 10/2009 Heroux ..... D11/87  
7,735,783 B2 \* 6/2010 Haney ..... B61L 5/02 104/262  
D637,473 S \* 5/2011 Mitchell ..... D8/336  
D651,501 S \* 1/2012 Maramotti ..... D8/343  
D689,358 S \* 9/2013 Stevens ..... D8/343  
D732,370 S \* 6/2015 Pittman ..... D8/330  
D736,593 S \* 8/2015 Ade ..... D8/343

\* cited by examiner

*Primary Examiner* — Prabhakar Deshmukh

(74) *Attorney, Agent, or Firm* — Young & Thompson

(57) **CLAIM**

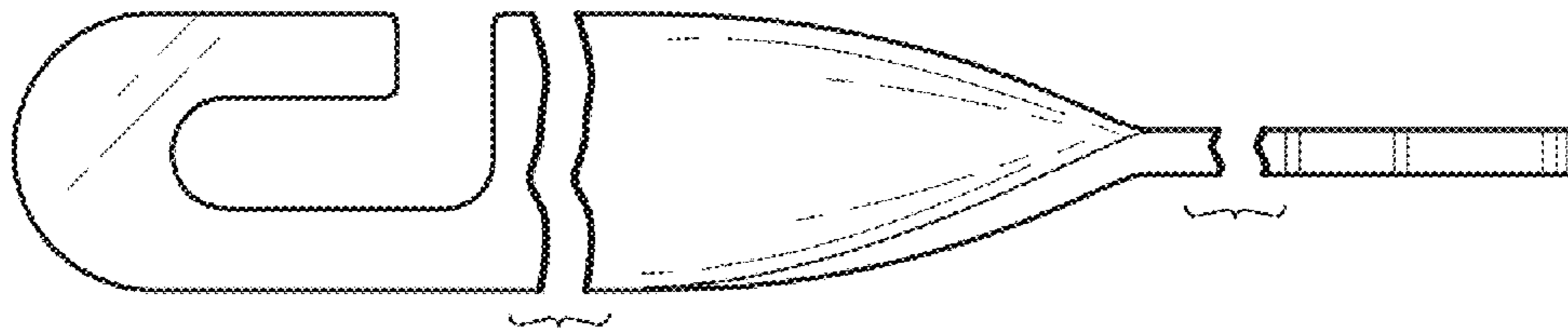
The ornamental design for a lock extension device, as shown and described.

**DESCRIPTION**

FIG 1 is a front elevation view of a lock extension device showing my new design;  
FIG. 2 is a top plan view thereof;  
FIG. 3 is a bottom plan view thereof;  
FIG. 4 is a left side elevation view thereof;  
FIG. 5 is a right side elevation view thereof;  
FIG. 6 is a rear elevation view thereof; and,  
FIG. 7 is a top perspective view thereof.

The use of separation break lines and brackets in the drawings indicate that the precise length of the device is not claimed. The appearance of any portion of the article between the break lines forms no part of the claimed design.

**1 Claim, 2 Drawing Sheets**



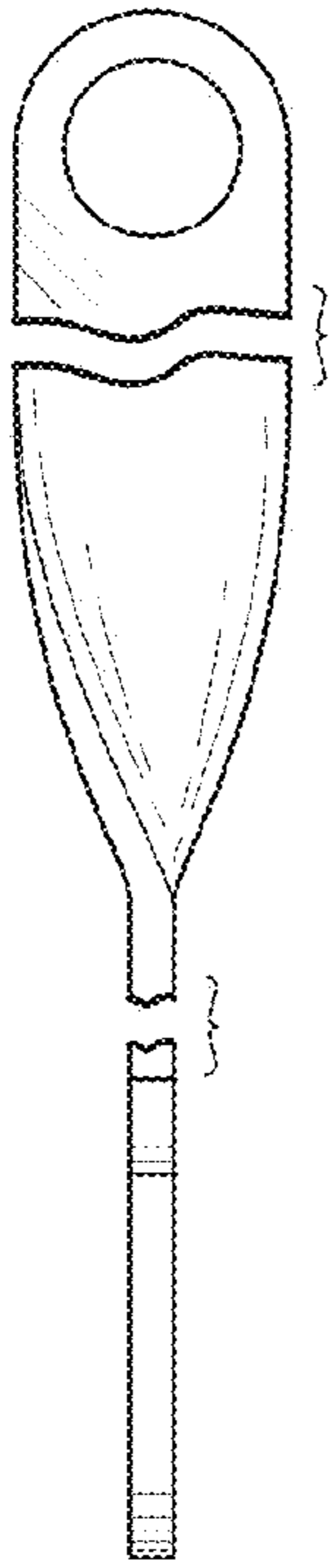


FIG. 2

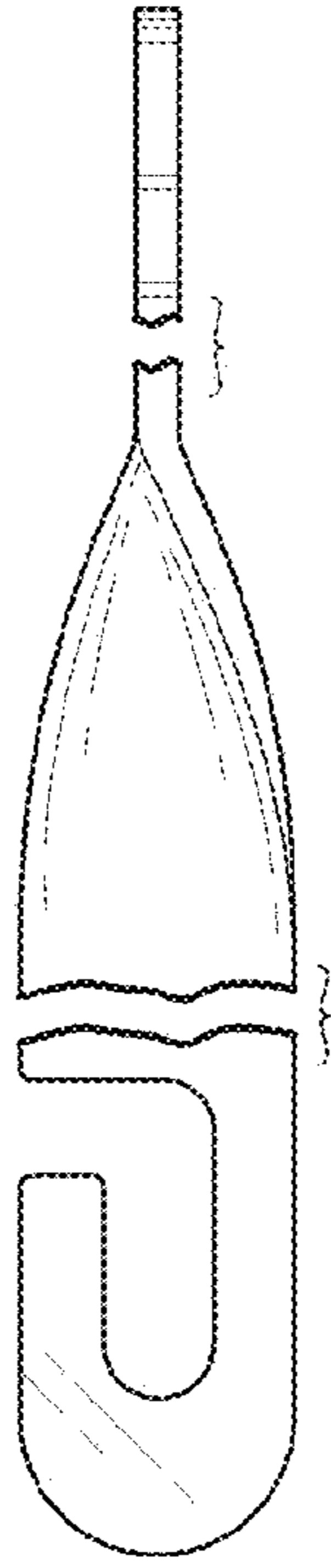


FIG. 1

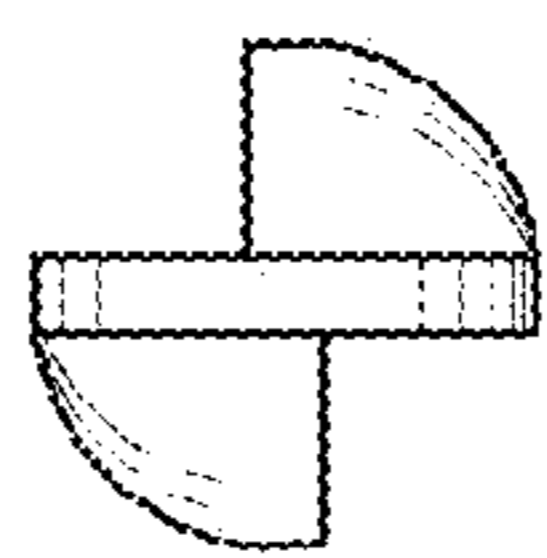


FIG. 4

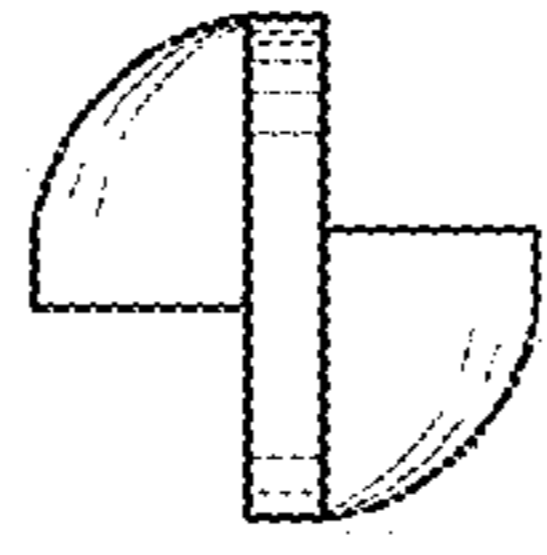


FIG. 5

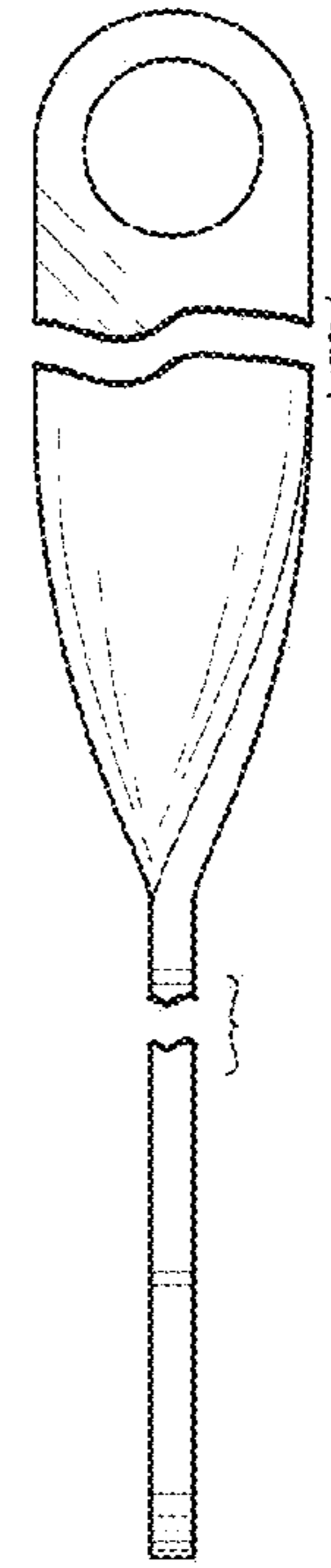


FIG. 3

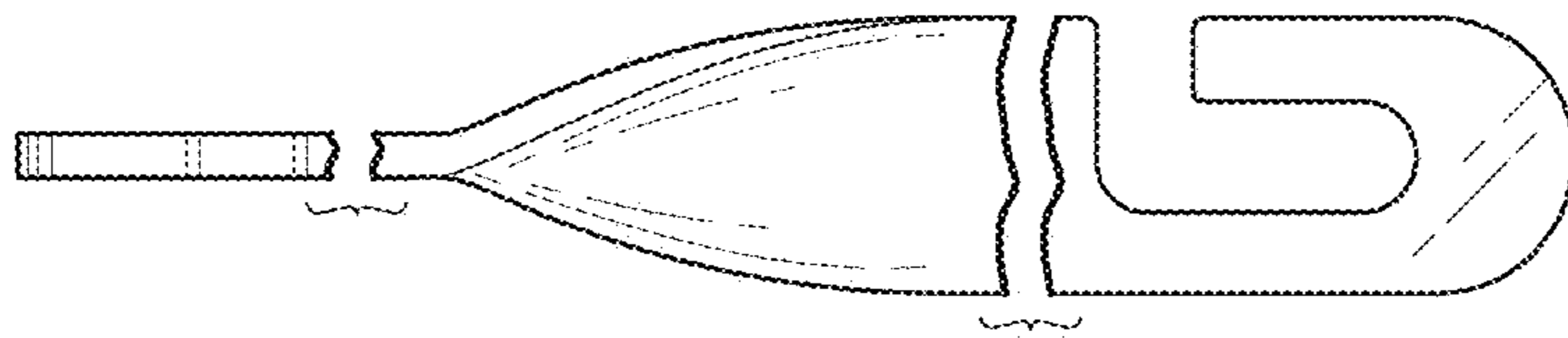


FIG. 6

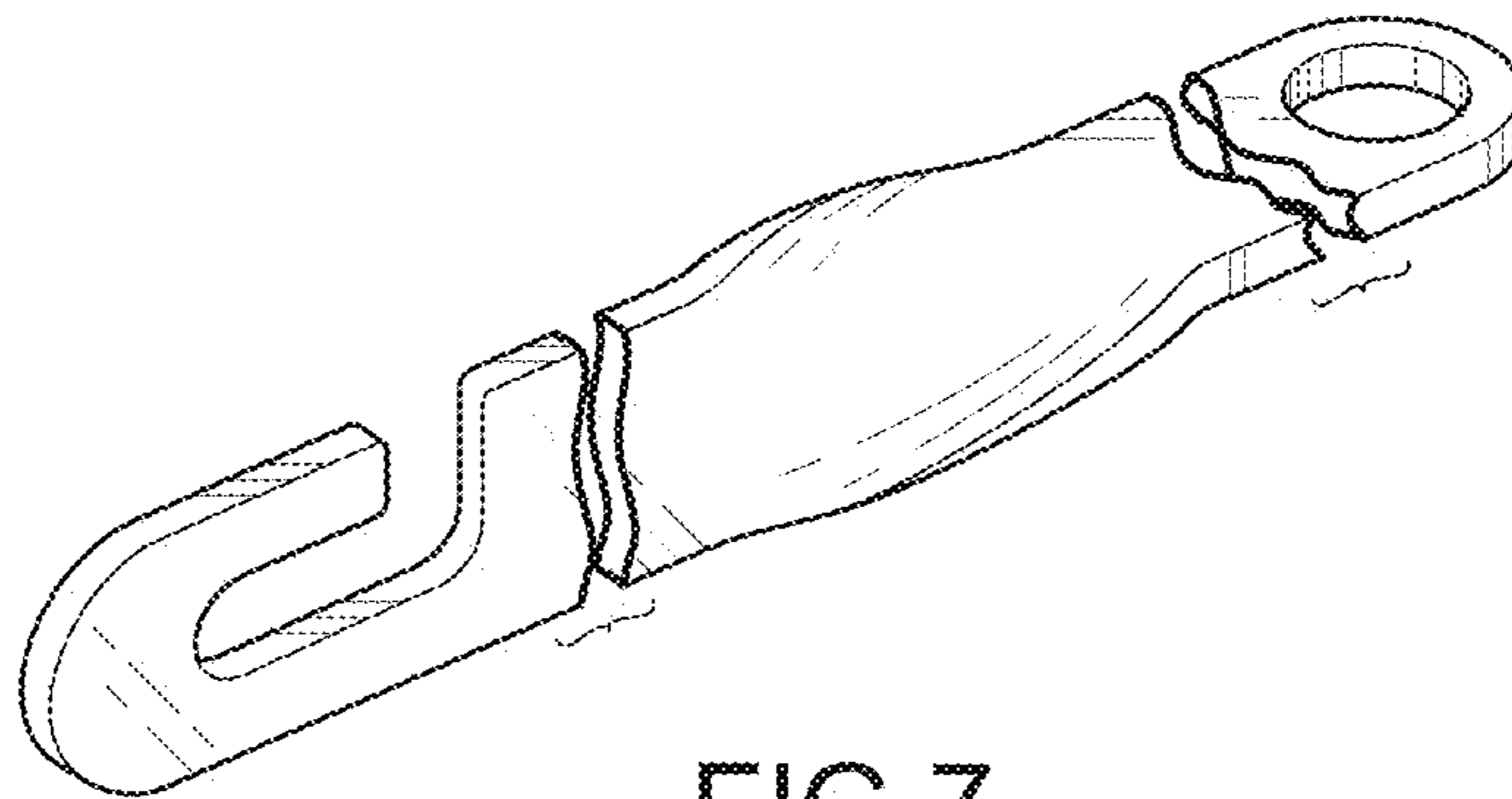


FIG. 7