

US00D767364S

(12) **United States Design Patent** (10) **Patent No.:** **US D767,364 S**
Bertani (45) **Date of Patent:** **** Sep. 27, 2016**

(54) **HANDLE**

(71) Applicant: **ELESA S.P.A.**, Milan (IT)

(72) Inventor: **Alberto Bertani**

(**) Term: **15 Years**

(21) Appl. No.: **35/500,003**

(22) Filed: **May 15, 2015**

(80) **Hague Agreement Data**

Int. Filing Date: **May 15, 2015**

Int. Reg. No.: **DM/086485**

Int. Reg. Date: **May 15, 2015**

Int. Reg. Pub. Date: **Jun. 5, 2015**

(51) **LOC (10) Cl.** **08-06**

(52) **U.S. Cl.**
USPC **D8/313**

(58) **Field of Classification Search**
USPC D3/12, 307, 327, 328; D8/94, 97, 107,
D8/300, 301, 313, 315, 316, 363, 380,
D8/382; D6/715.1; D25/102, 55
CPC B62B 5/063; B62B 3/06; B62B 3/0612;
G05G 1/10; B25G 3/24; B25G 1/12; Y10T
16/455; Y10T 16/4554; Y10T 16/513;
Y10T 477/357; Y10T 74/20864; Y10T
16/498; Y10T 16/50; Y10T 292/1041

See application file for complete search history.

(56) **References Cited**

U.S. PATENT DOCUMENTS

D329,369 S *	9/1992	Martin	D8/302
D338,608 S *	8/1993	Martin	D8/302
D501,785 S *	2/2005	Mogus	D8/313
D526,187 S *	8/2006	Farrell	D8/331
D581,769 S *	12/2008	Mattson	D8/307
D584,128 S *	1/2009	Ricereto	D8/313
D585,719 S *	2/2009	Imai	D8/300
D589,325 S *	3/2009	Mattson	D8/313

* cited by examiner

Primary Examiner — Barbara Fox

Assistant Examiner — Eliza Bennett-Hattan

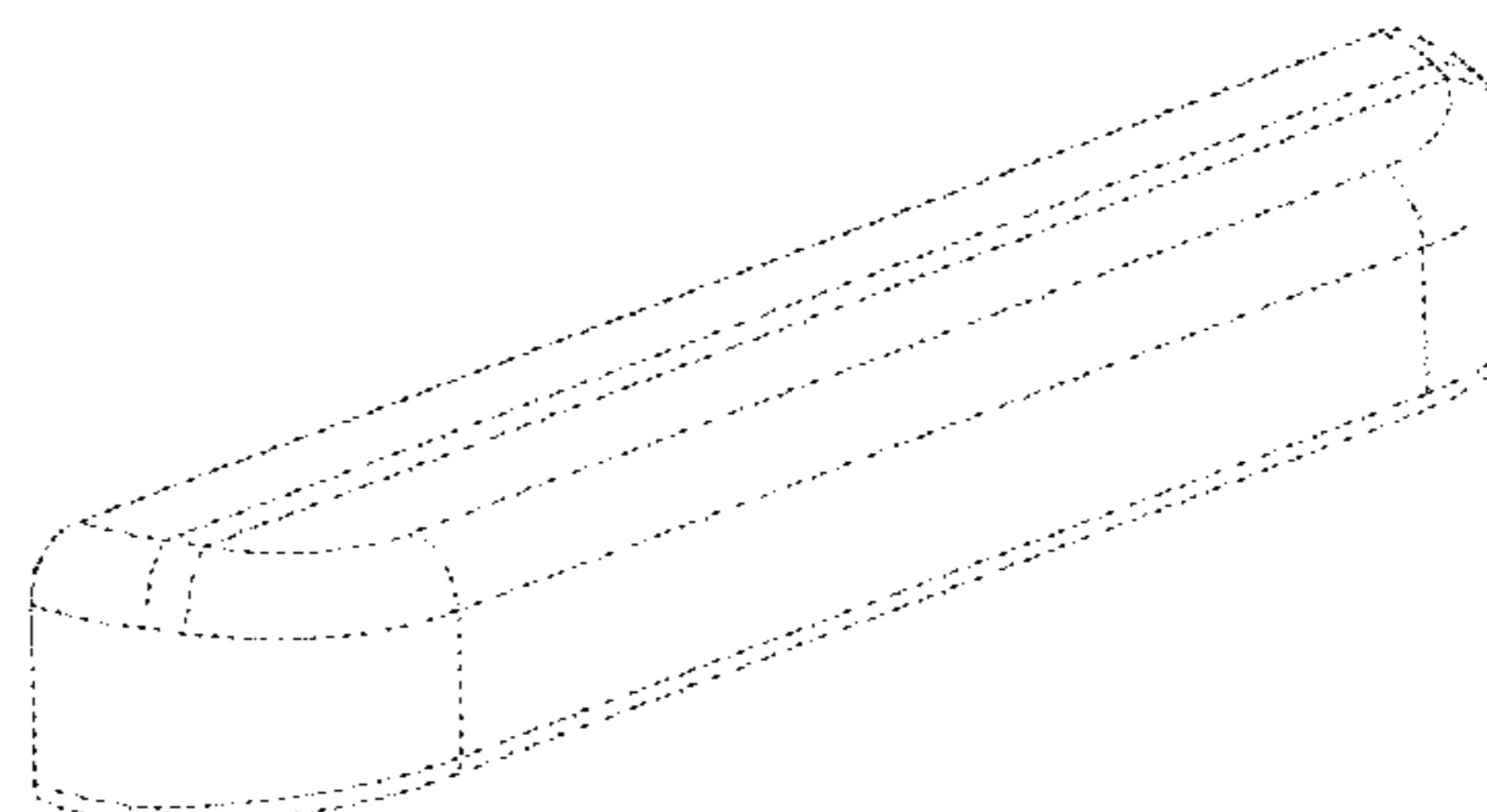
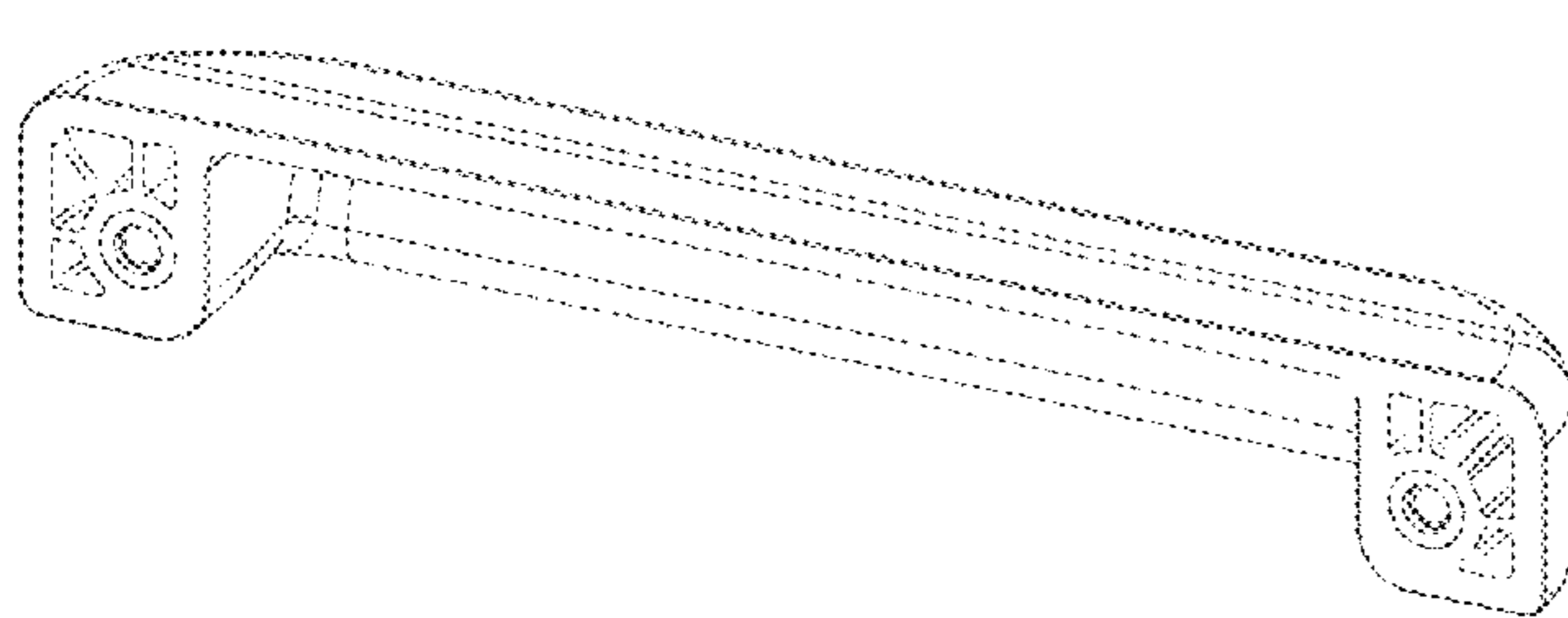
(57) **CLAIM**

The ornamental design for handle, as shown and described.

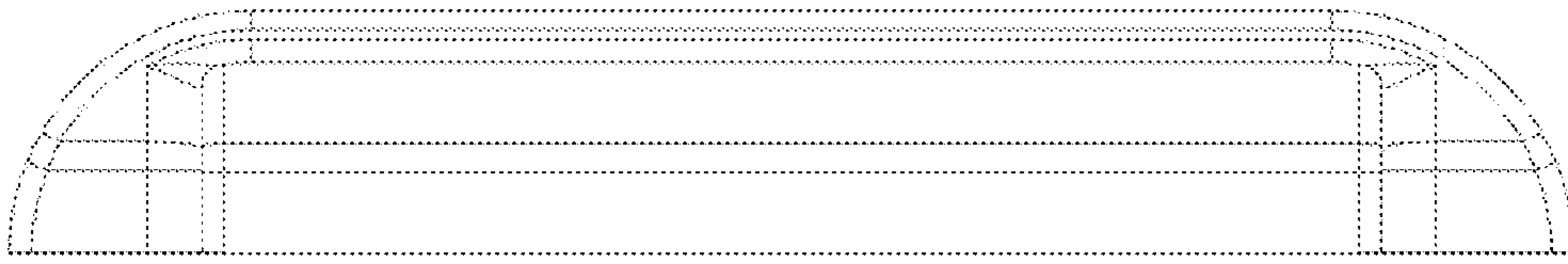
DESCRIPTION

- 1. Handle
- 1.1 is a bottom plan view.
- 1.2 is a back perspective view.
- 1.3 is a front elevation view.
- 1.4 is a right elevation view.
- 1.5 is a front perspective view.
- 1.6 is a top plan view.

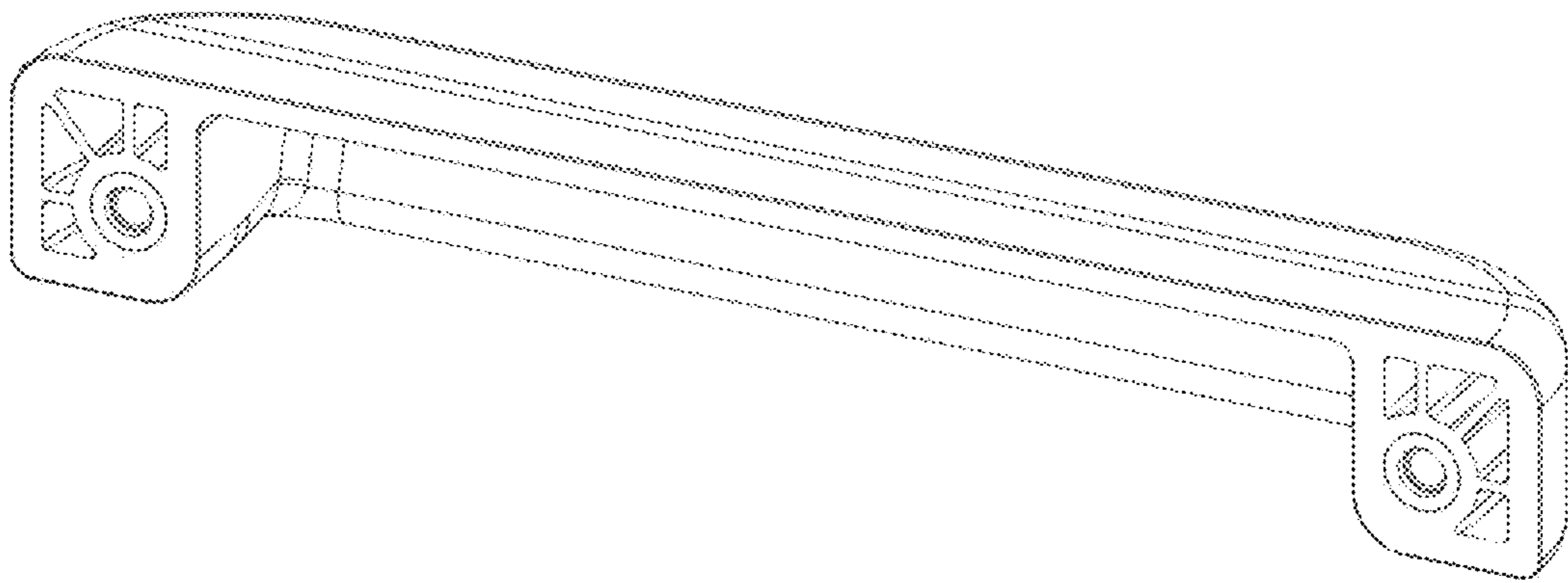
1 Claim, 6 Drawing Sheets



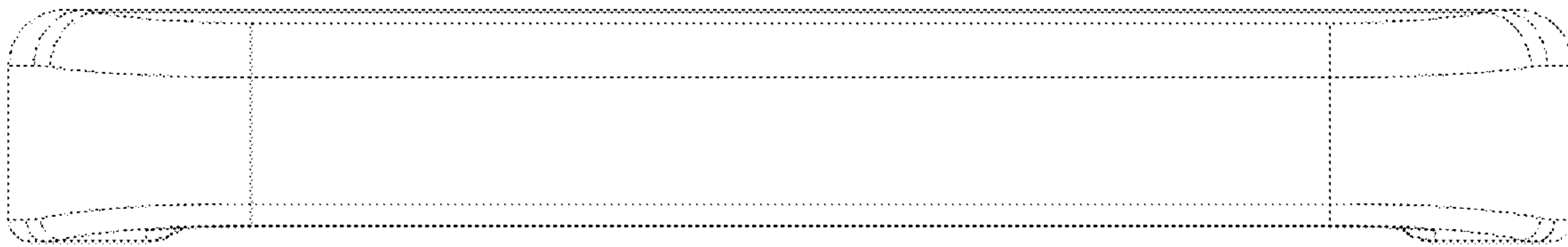
1.1



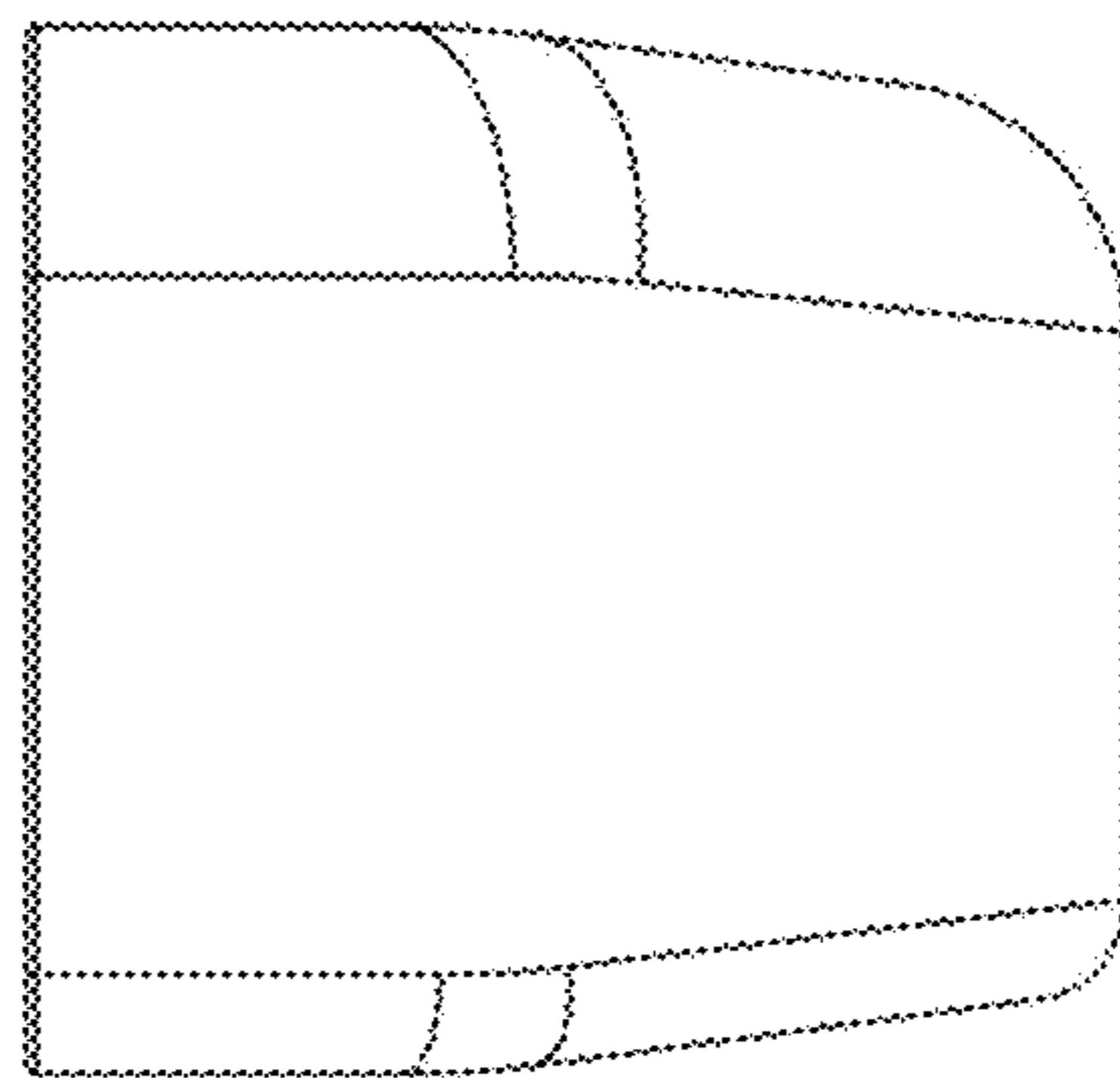
1.2



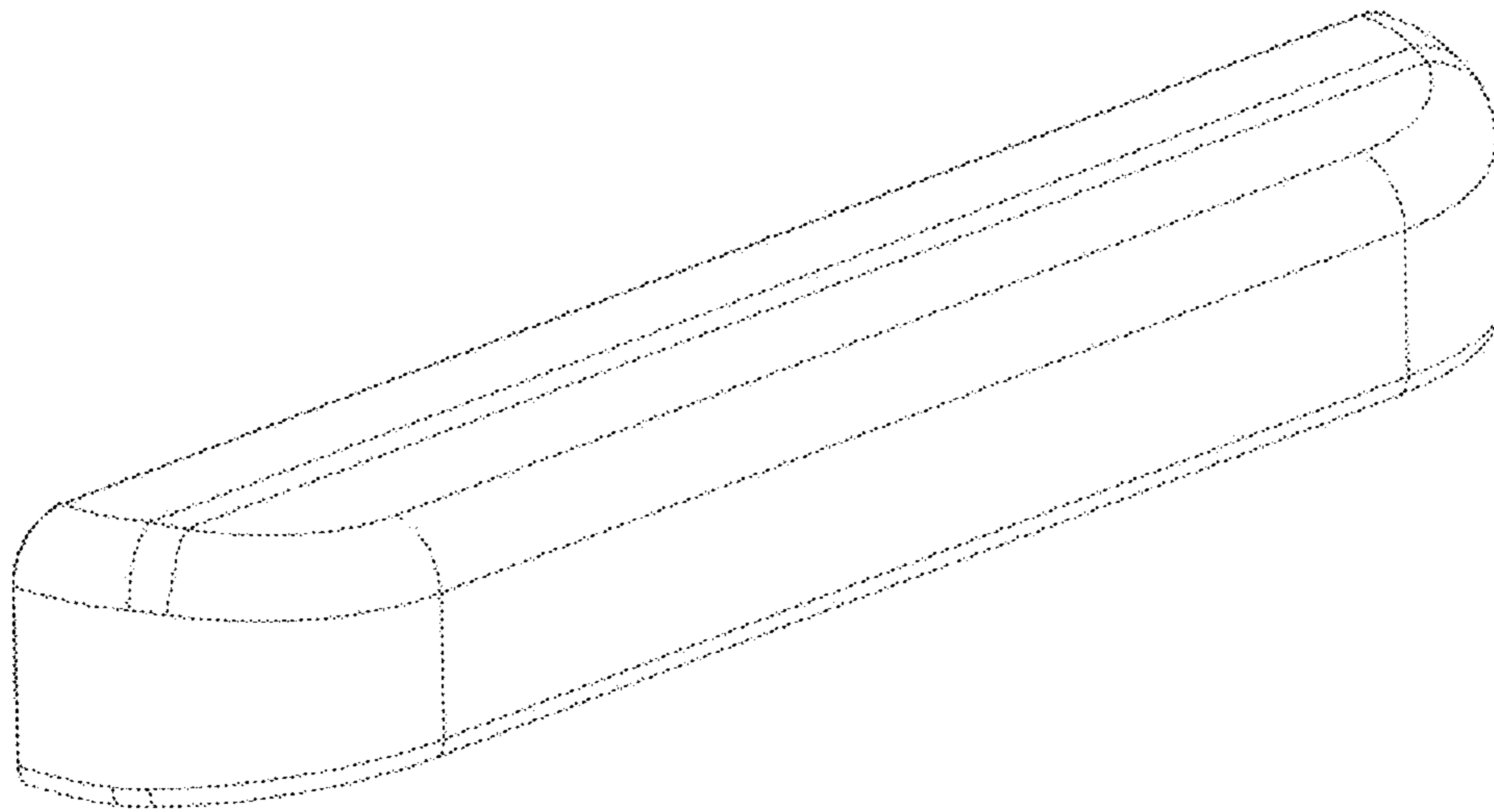
1.3



1.4



1.5



1.6

