



US00D767358S

(12) **United States Design Patent**
Harrison et al.

(10) **Patent No.:** **US D767,358 S**

(45) **Date of Patent:** **** Sep. 27, 2016**

- (54) **SCREWDRIVER HANDLE**
- (71) Applicant: **Michigan Industrial Tools, Inc.**, Grand Rapids, MI (US)
- (72) Inventors: **Joshua L. Harrison**, Grand Rapids, MI (US); **Benjamin E. Harrison**, Caledonia, MI (US)
- (73) Assignee: **Michigan Industrial Tools, Inc.**, Grand Rapids, MI (US)
- (**) Term: **14 Years**

- D635,430 S * 4/2011 Robinson D8/83
- D644,902 S 9/2011 Yang
- D646,544 S * 10/2011 Molina D8/83
- D646,545 S * 10/2011 Molina D8/83
- 8,051,538 B2 11/2011 Hsieh

- (21) Appl. No.: **29/520,501**
- (22) Filed: **Mar. 16, 2015**
- (51) **LOC (10) Cl.** **08-04**
- (52) **U.S. Cl.**
USPC **D8/83**
- (58) **Field of Classification Search**
USPC D8/21, 24-26, 29, 61, 82-87, 107;
81/52, 53.1, 58.3, 177.1-177.4, 177.7,
81/438-439, 467, 480, 489-491
CPC B25B 13/56; B25B 15/00; B25B 15/007;
B25B 15/02; B25B 23/106; B25B 23/12;
B25B 23/18; B25F 1/04; B25G 1/085;
D06F 53/005; D06F 57/00
See application file for complete search history.

OTHER PUBLICATIONS

<http://www.toolplanet.com/product/Tekton-Stubby-Screwdriver-Set-26751>. Downloaded Jun. 3, 2016.*
Photographs of various screwdrivers purchased in U.S. at least as early as Feb. 26, 2015.

* cited by examiner

Primary Examiner — Philip S Hyder
Assistant Examiner — Roselynn Cody
(74) *Attorney, Agent, or Firm* — Warner Norcross and Judd LLP

(56) **References Cited**

U.S. PATENT DOCUMENTS

- D402,176 S 12/1998 Lauster et al.
- D510,247 S * 10/2005 White D8/107
- D515,389 S 2/2006 Hsu
- D542,620 S 5/2007 Thompson et al.
- D585,261 S 1/2009 Shih
- D634,172 S * 3/2011 Robinson D8/83

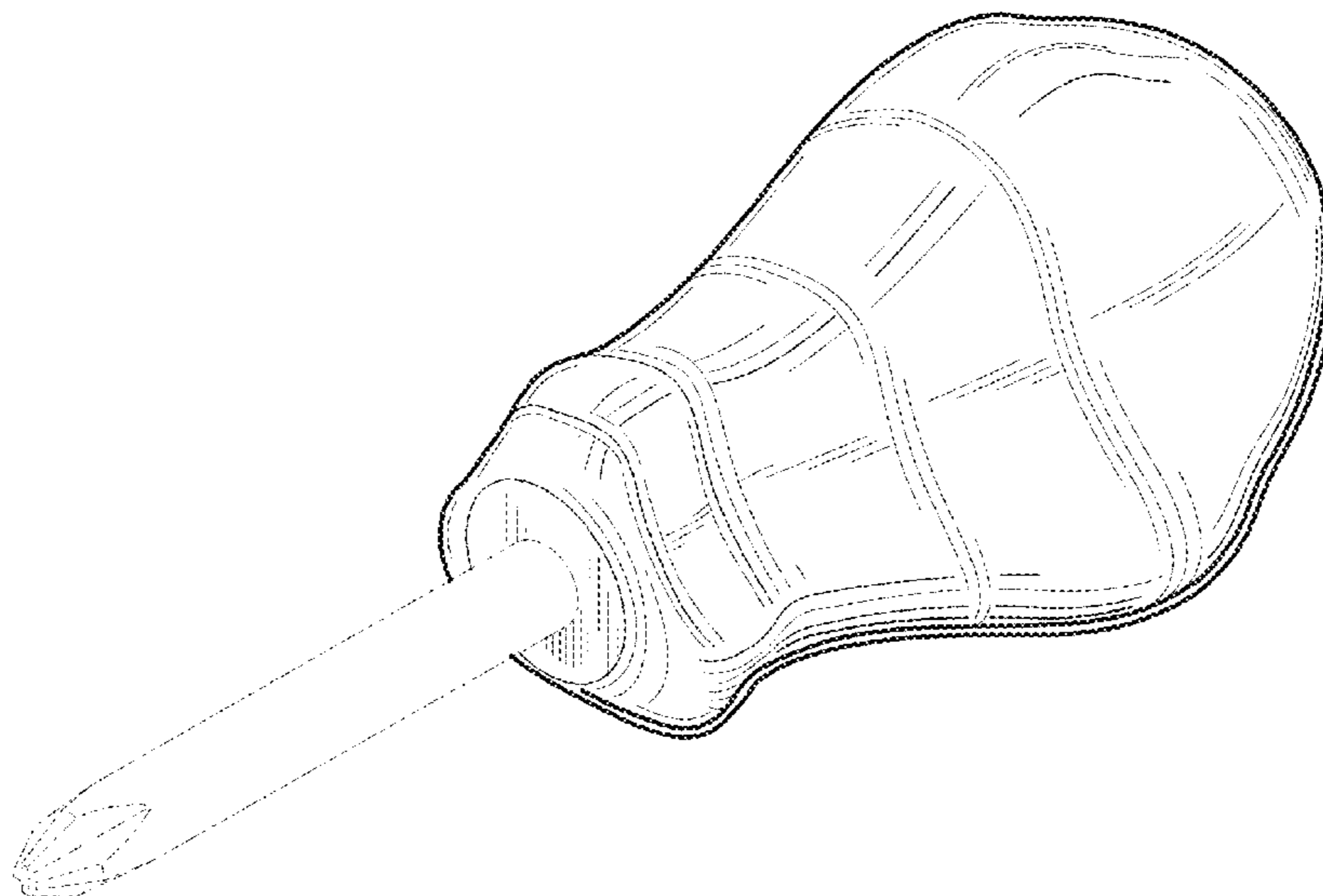
(57) **CLAIM**

The ornamental design for a screwdriver handle, as shown and described.

DESCRIPTION

FIG. 1 is a perspective view of the screwdriver handle embodying my new design;
FIG. 2 is a right side view, the left side view being a mirror image thereof;
FIG. 3 is a top plan view thereof;
FIG. 4 is a bottom plan view thereof;
FIG. 5 is a front view thereof; and,
FIG. 6 is a rear view thereof.
FIGS. 1-5 show a screwdriver shaft in broken lines. The broken lines are shown for environmental purposes and form no part of the claimed design.

1 Claim, 3 Drawing Sheets



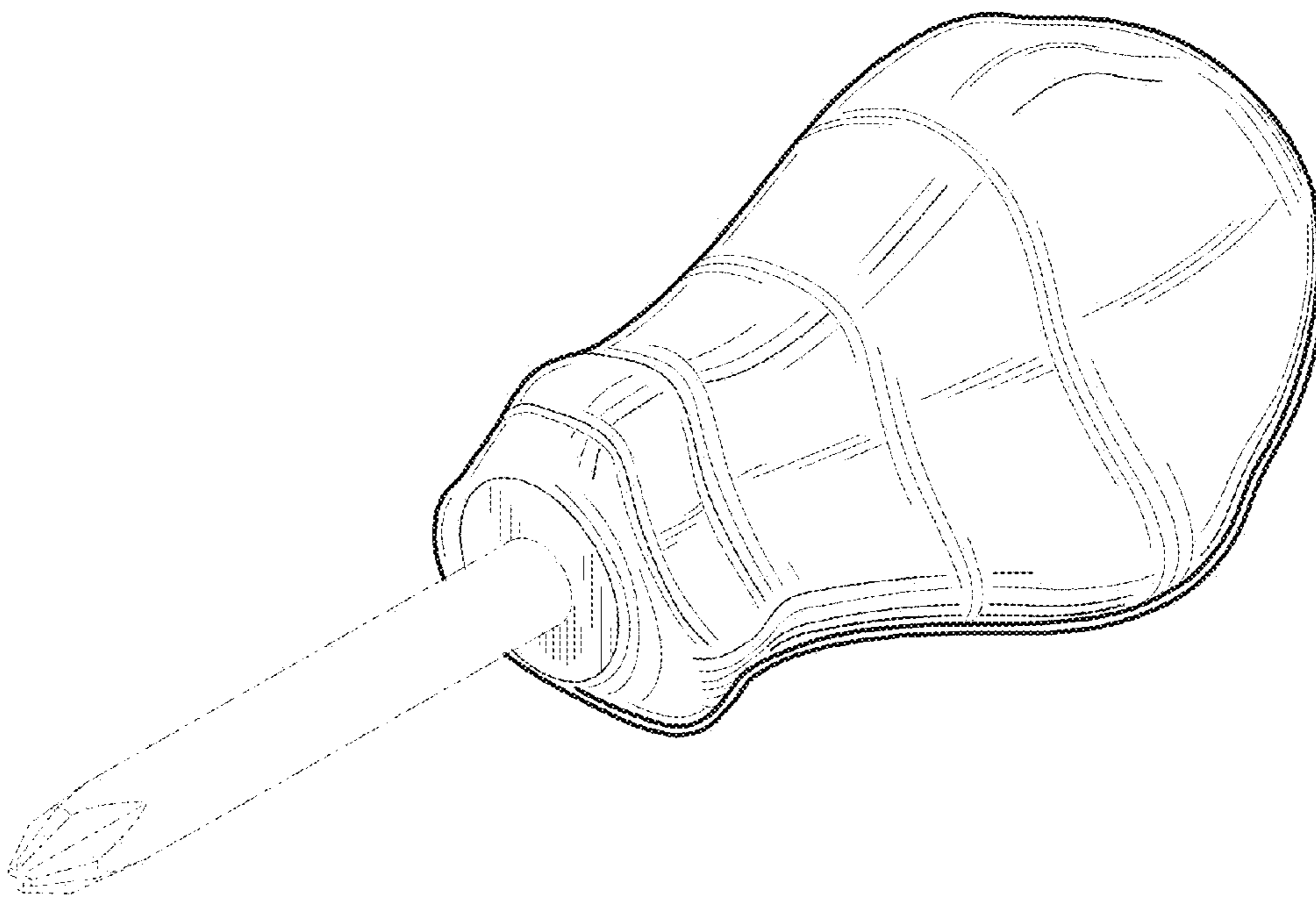


Fig. 1

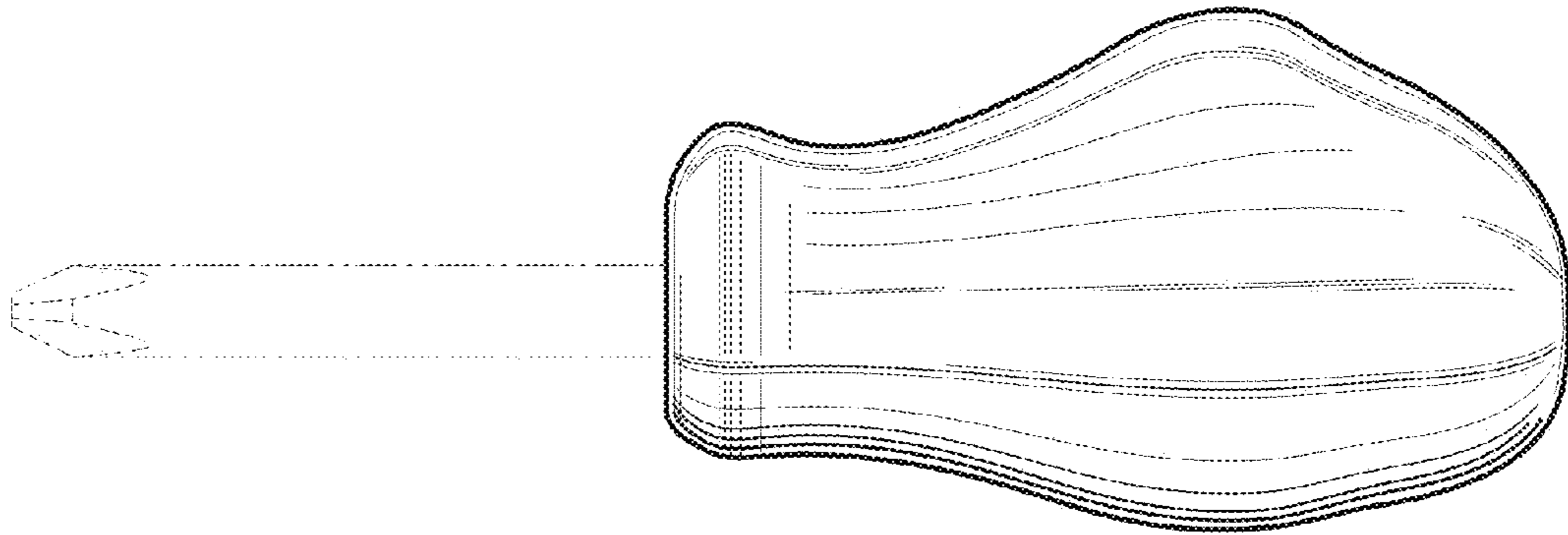


Fig. 2

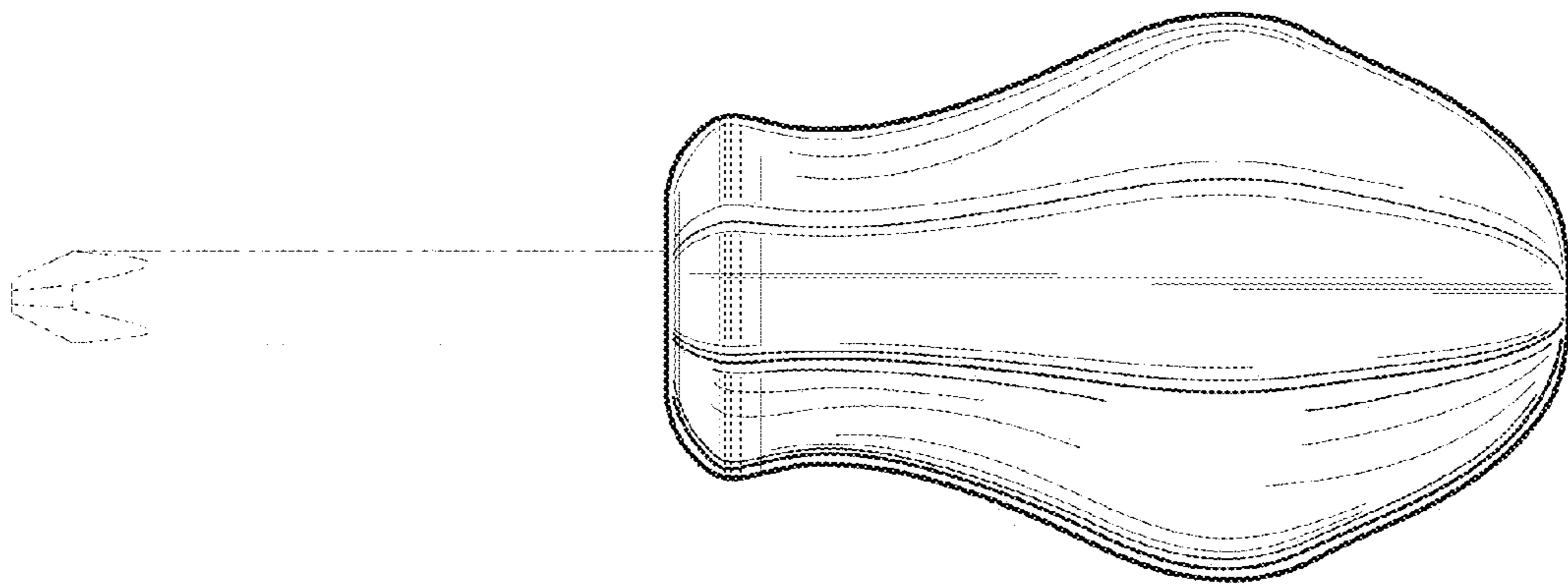


Fig. 3

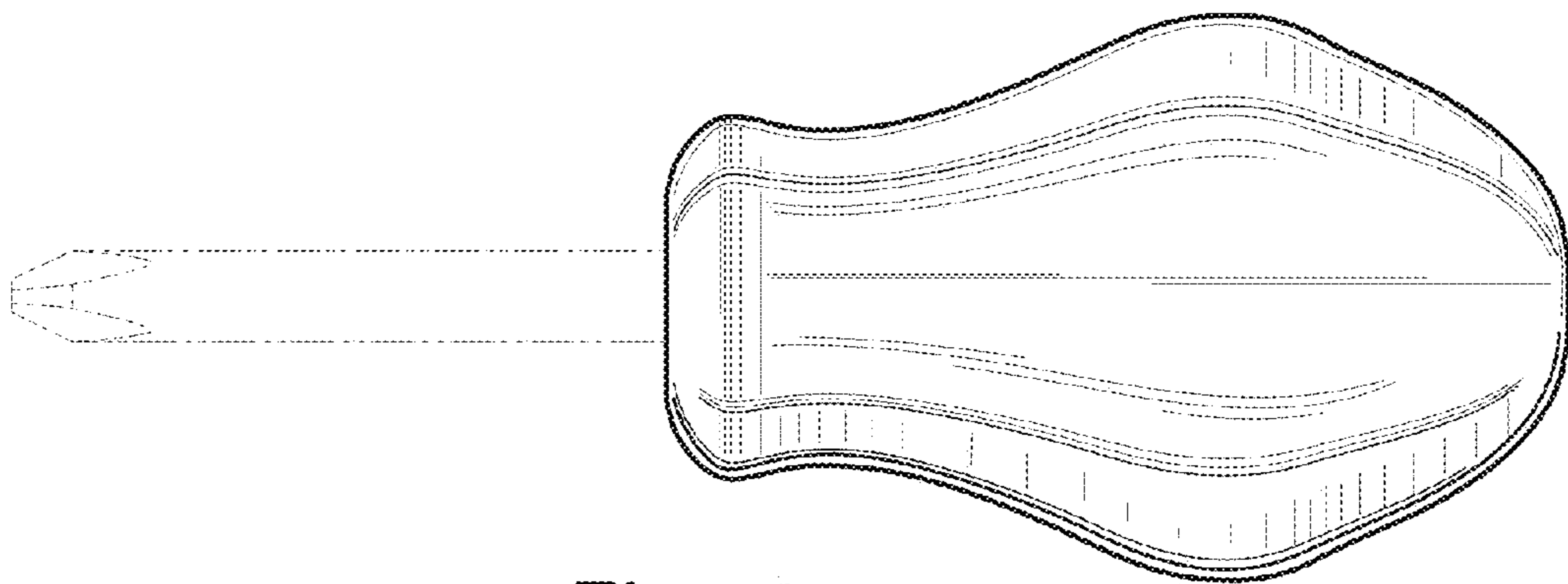


Fig. 4

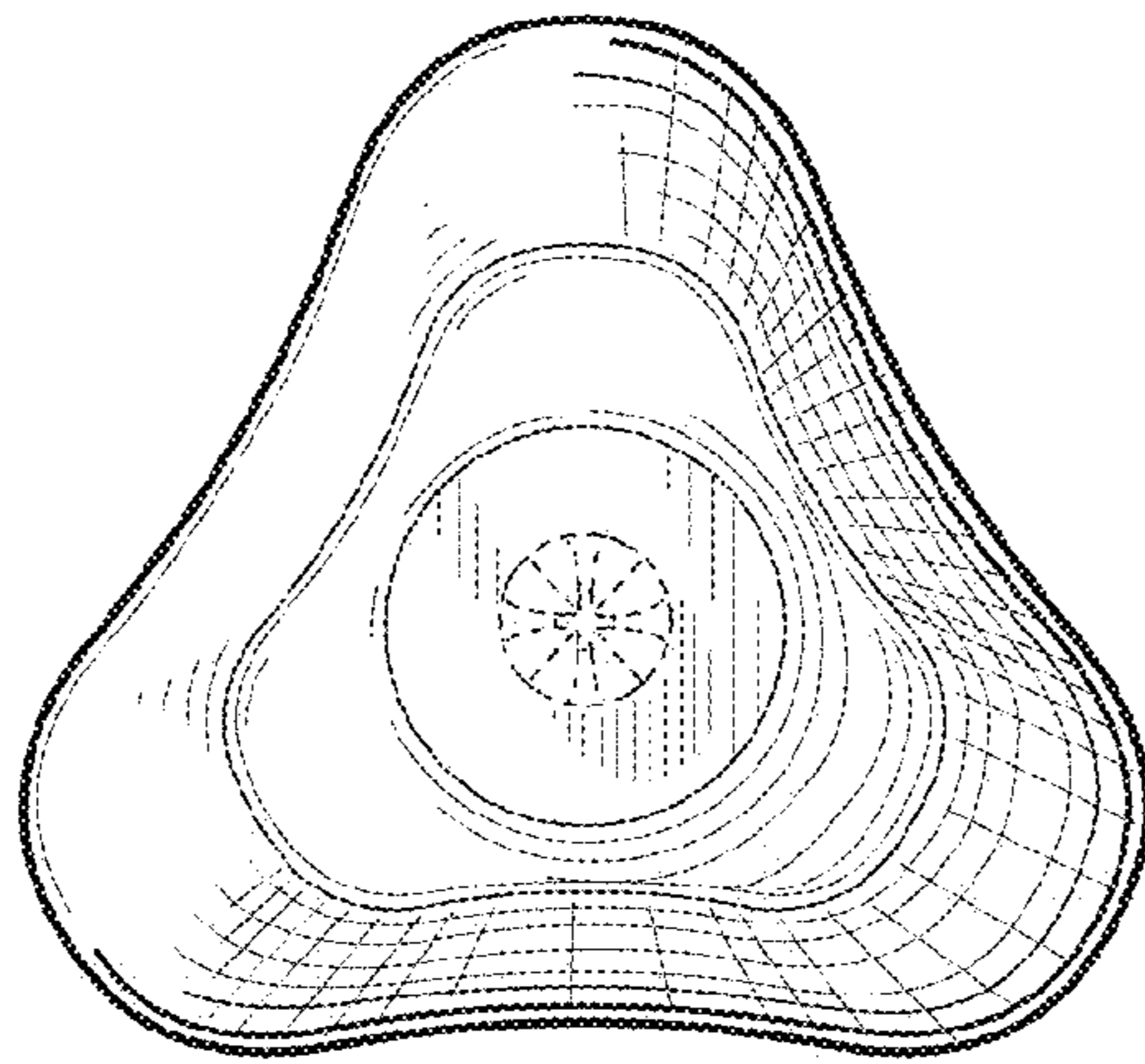


Fig. 5

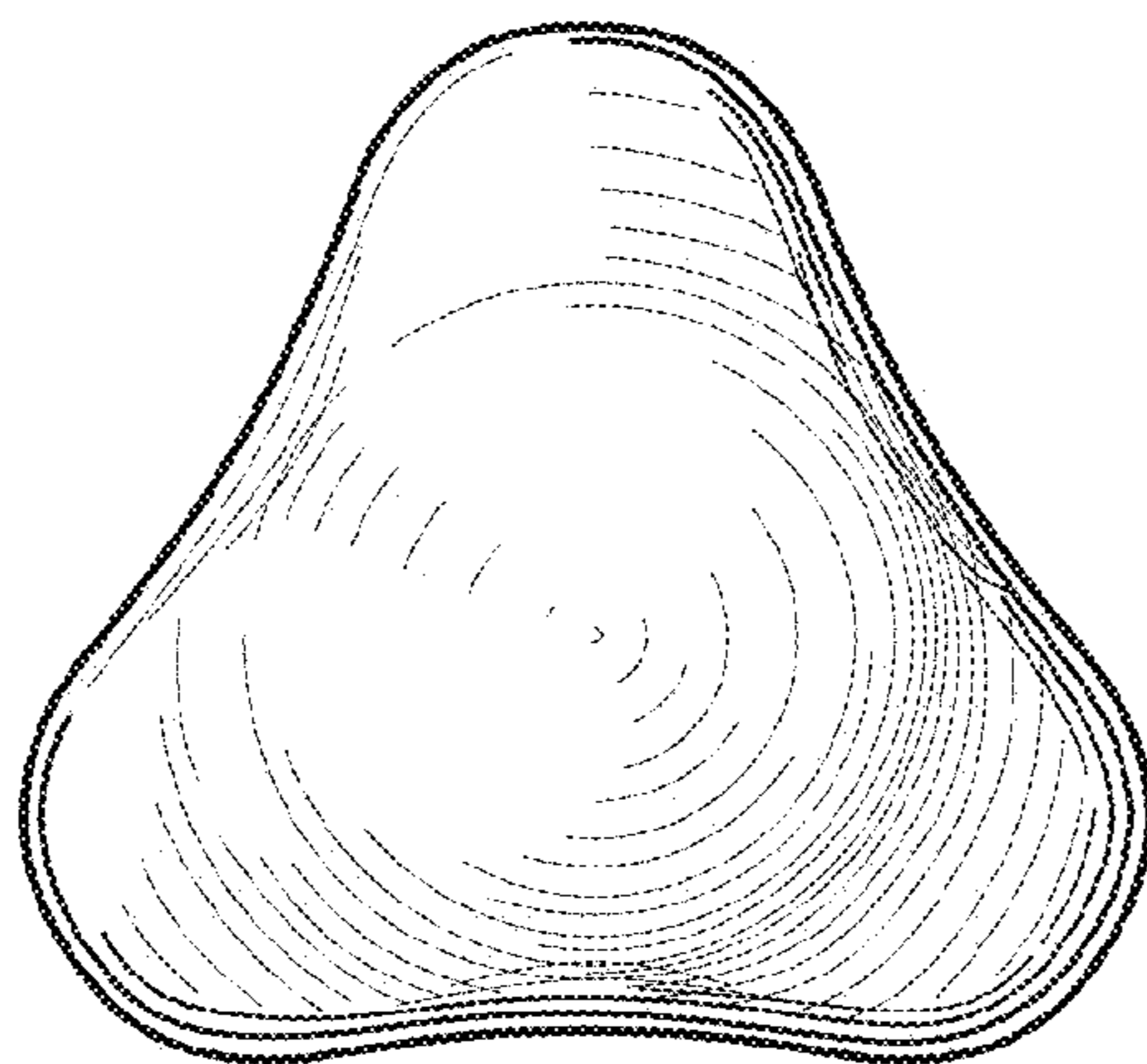


Fig. 6