



US00D767357S

(12) **United States Design Patent**  
**Fahrner et al.**

(10) **Patent No.:** **US D767,357 S**  
(45) **Date of Patent:** **\*\* Sep. 27, 2016**

- (54) **GRINDING MACHINE**
- (71) Applicants: **Horst Fahrner**, Stuttgart (DE);  
**Heinrich Henssler**, Schwaebisch  
Gmuend (DE); **Martin Schultheiss**,  
Schwaebisch Gmuend (DE)
- (72) Inventors: **Horst Fahrner**, Stuttgart (DE);  
**Heinrich Henssler**, Schwaebisch  
Gmuend (DE); **Martin Schultheiss**,  
Schwaebisch Gmuend (DE)
- (73) Assignee: **C. & E. Fein GmbH**, Schwaebisch  
Gmuend- (DE)

D559,639 S	1/2008	Henssler et al.	
D564,850 S *	3/2008	Bakker	D8/61
D567,046 S	4/2008	Henssler et al.	
D602,756 S	10/2009	Henssler et al.	
D637,055 S *	5/2011	Schomisch	D8/62
D643,700 S	8/2011	Schultheiss et al.	
D647,771 S *	11/2011	Schoch	D8/61
D653,922 S	2/2012	Henssler et al.	
D683,202 S *	5/2013	Aglassinger	D8/61
8,925,646 B2 *	1/2015	Seith	B25B 21/026 173/109
D728,337 S	5/2015	Henssler et al.	
2005/0257647 A1 *	11/2005	Baker	B25B 21/004 81/57.39

(\*\*) Term: **14 Years**

(21) Appl. No.: **29/514,266**

(22) Filed: **Jan. 9, 2015**

(30) **Foreign Application Priority Data**

Jul. 9, 2014 (EM) ..... 001416085

(51) **LOC (10) Cl.** ..... **08-03**

(52) **U.S. Cl.**  
USPC ..... **D8/62**

(58) **Field of Classification Search**  
USPC ..... D8/61, 62, 67, 69; 81/57, 57.11, 57.14,  
81/57.26, 429, 464, 469; 173/2, 170, 176,  
173/181  
CPC ..... B24B 23/028; B24B 47/12; B24B 7/186;  
B25F 5/001; B25F 5/02  
See application file for complete search history.

(56) **References Cited**

**U.S. PATENT DOCUMENTS**

D386,378 S \* 11/1997 Henssler ..... D8/62  
D511,284 S 11/2005 Henssler et al.

**FOREIGN PATENT DOCUMENTS**

WO DM37372 8/1996

\* cited by examiner

*Primary Examiner* — Austin Murphy

(74) *Attorney, Agent, or Firm* — St. Onge Steward Johnston  
& Reens, LLC

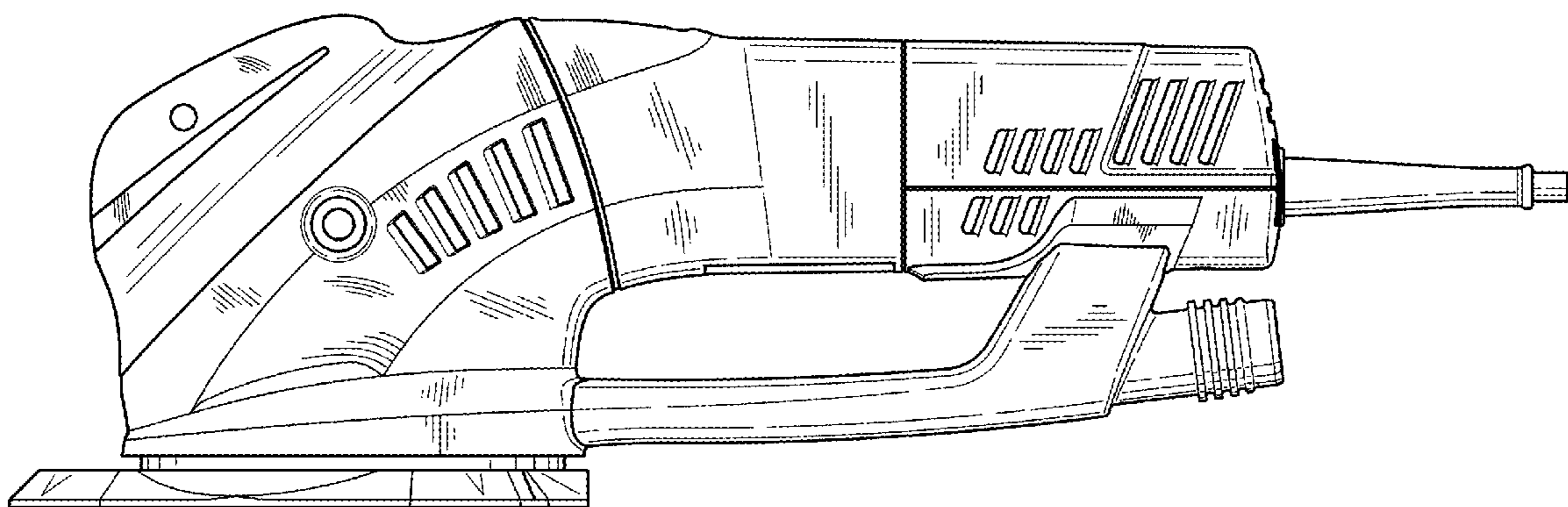
(57) **CLAIM**

The ornamental design for a grinding machine, as shown and described.

**DESCRIPTION**

FIG. 1 is a front left side isometric view of a grinding machine in accordance with the new design;  
FIG. 2 is a left side elevational view thereof;  
FIG. 3 is a right side elevational view thereof;  
FIG. 4 is a top plan view thereof;  
FIG. 5 is a bottom plan view thereof;  
FIG. 6 is a rear elevational view thereof; and,  
FIG. 7 is a front elevational view thereof.  
The broken lines showing in FIGS. 5 and 6 are for illustration purposes only and form no part of the claimed design.

**1 Claim, 7 Drawing Sheets**



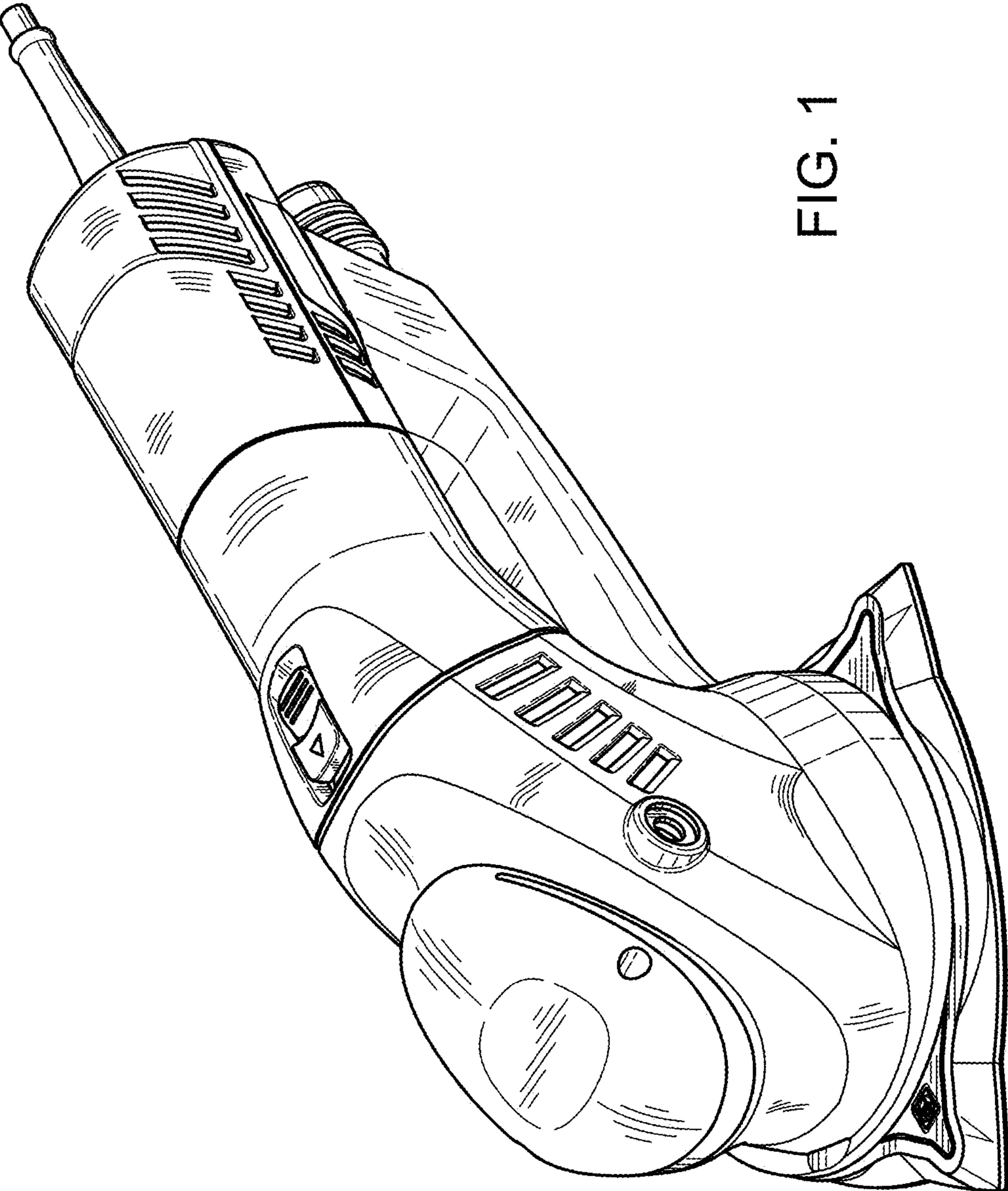


FIG. 1

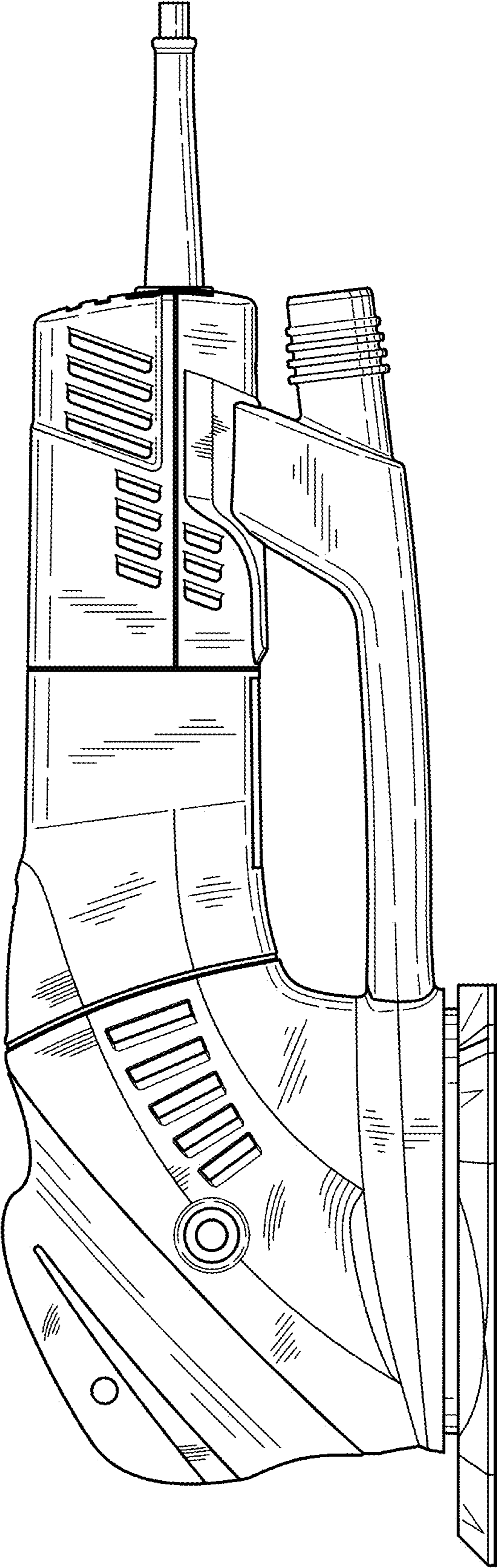


FIG. 2

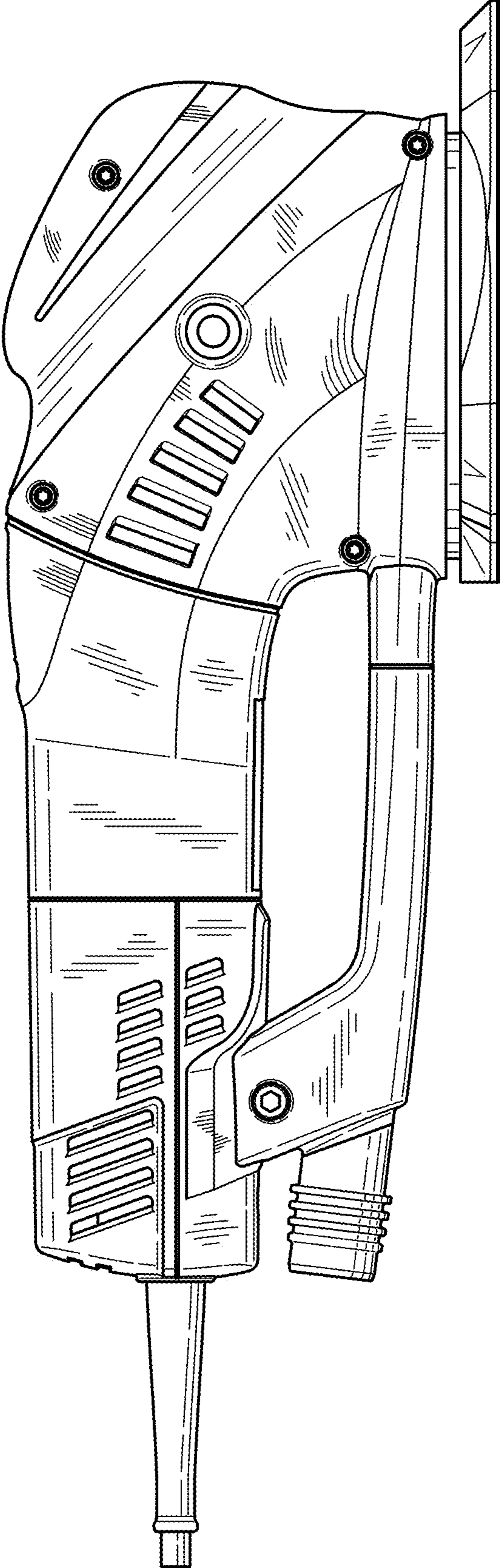


FIG. 3

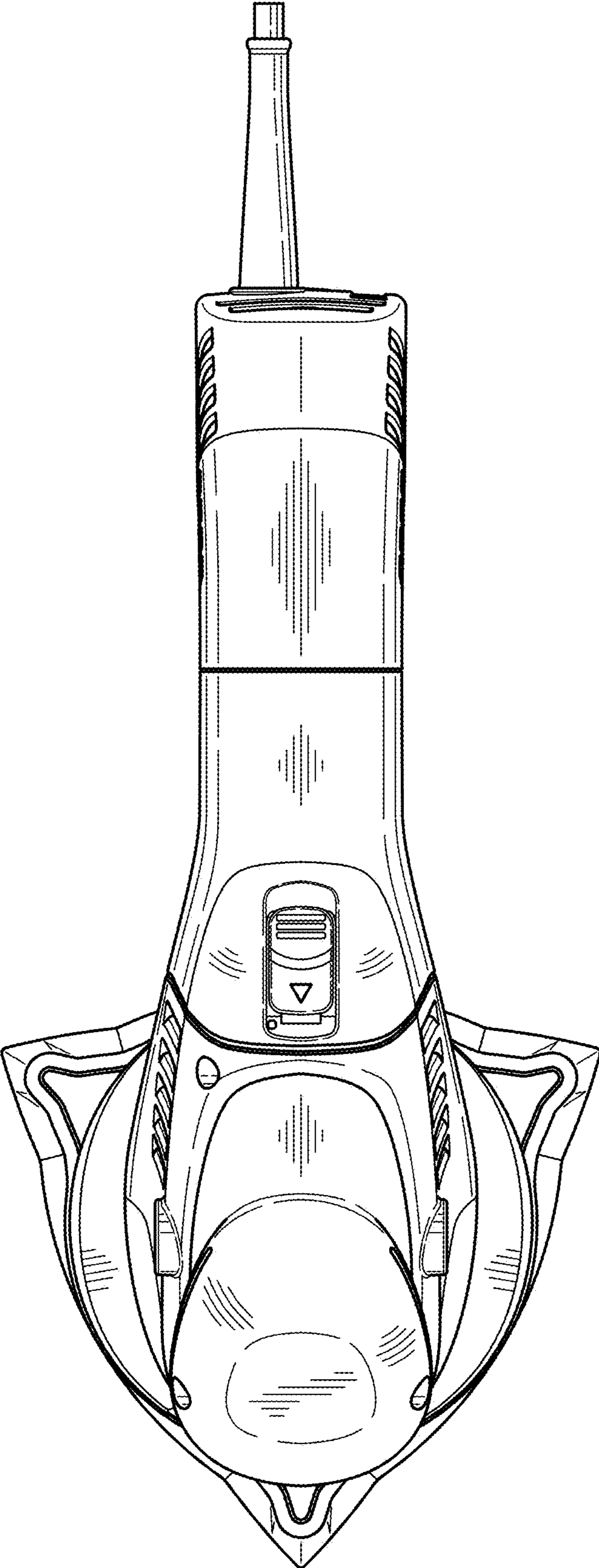


FIG. 4

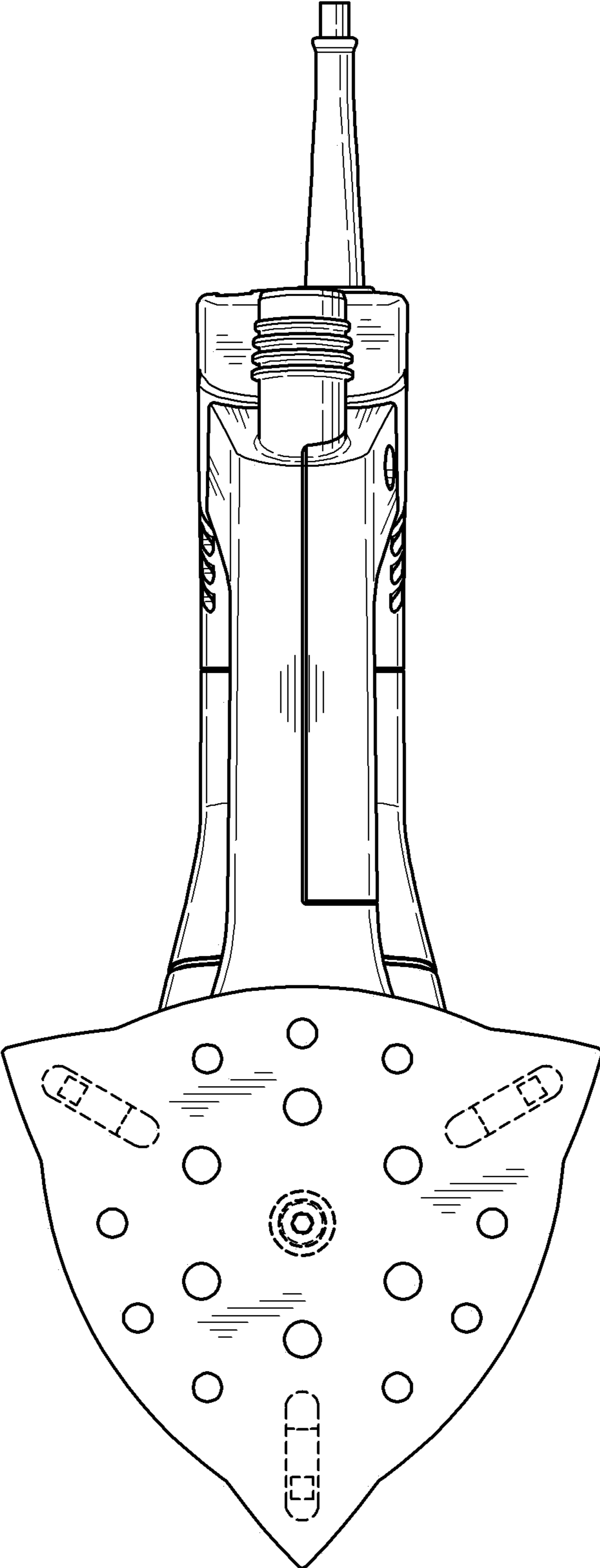


FIG. 5

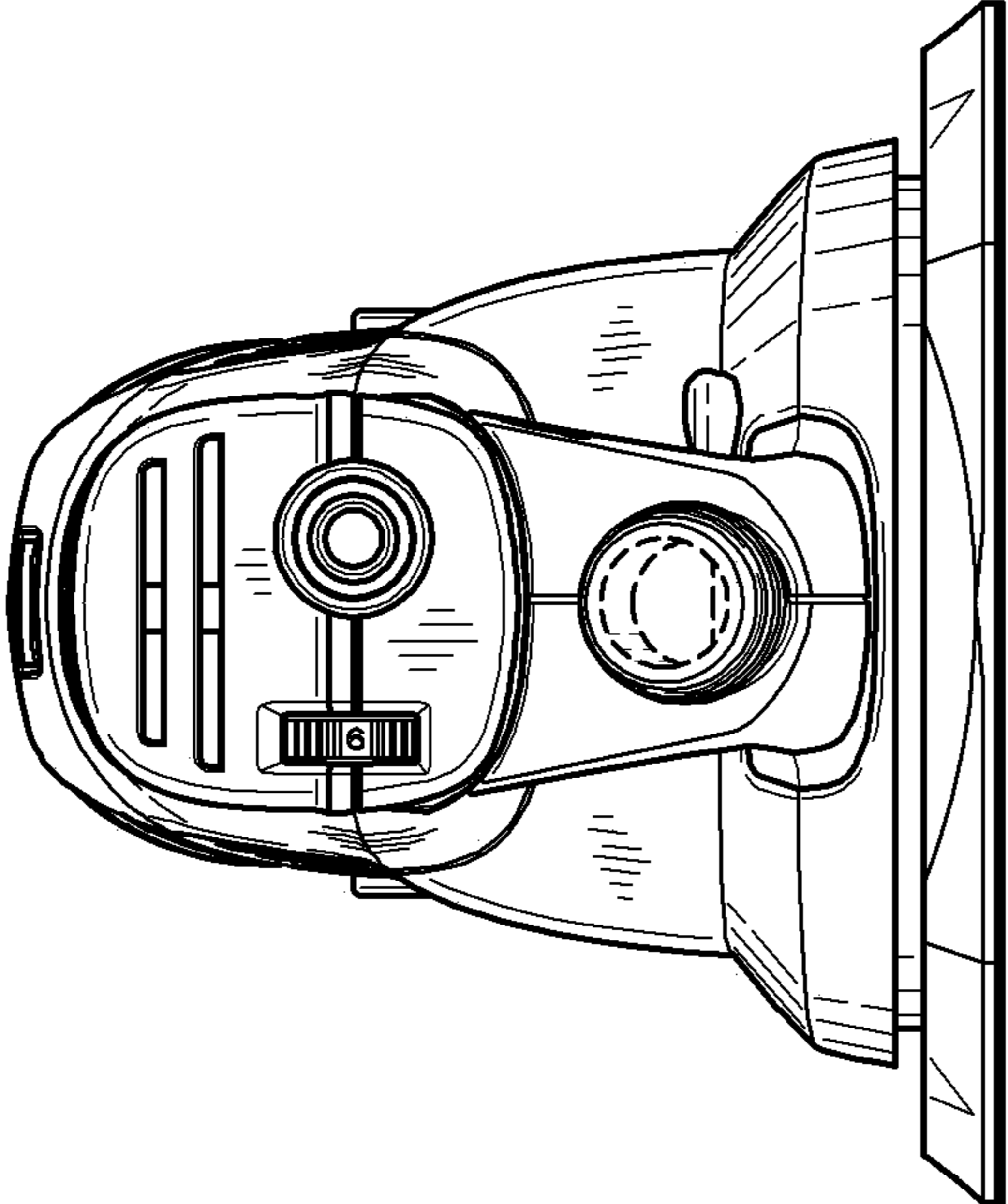


FIG. 6

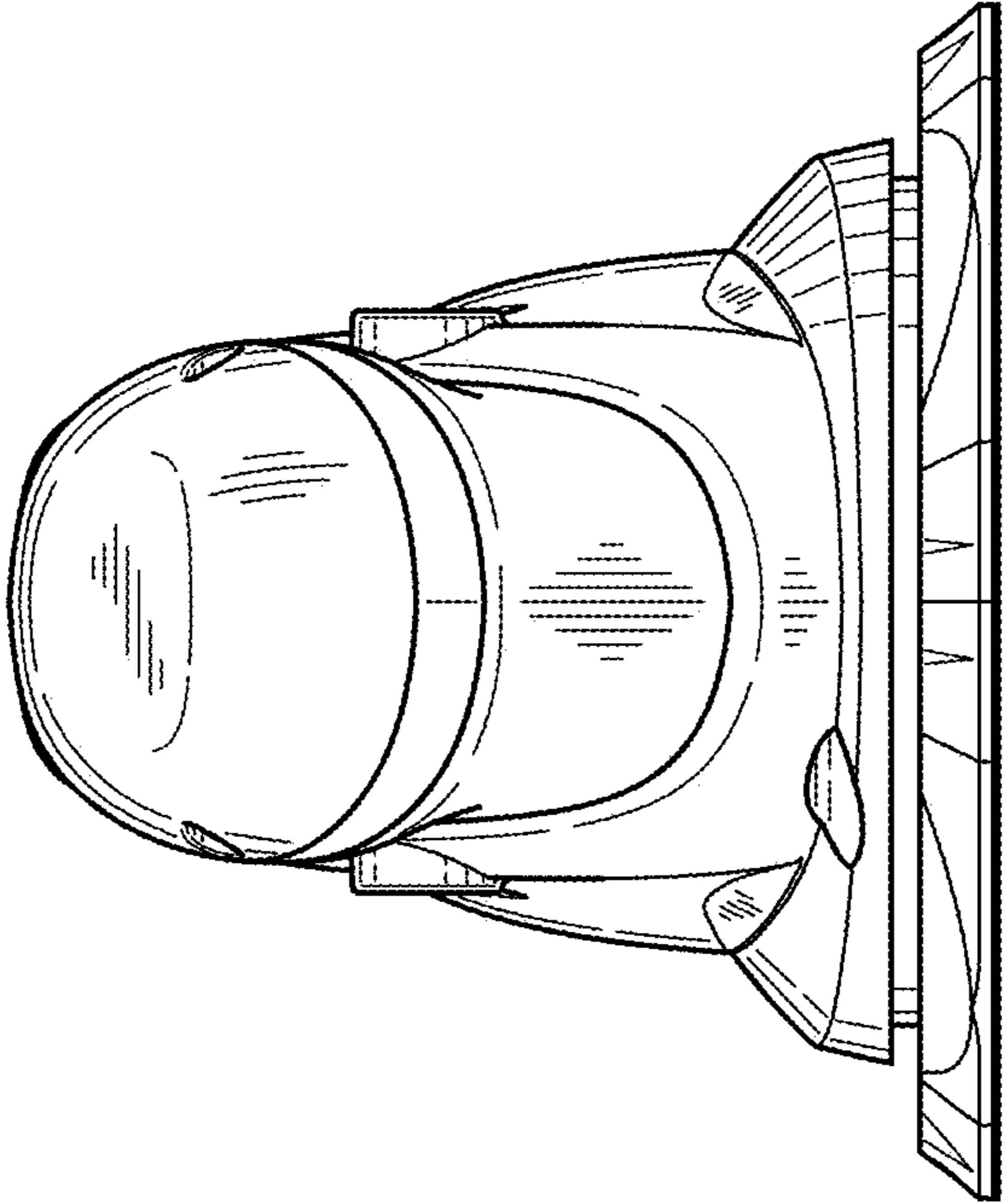


FIG. 7