

US00D767354S

(12) **United States Design Patent** (10) **Patent No.:** **US D767,354 S**
Palsson et al. (45) **Date of Patent:** **** Sep. 27, 2016**

(54) **TORQUE WRENCH** CPC B25B 31/00; B25B 13/00; B25B 23/00
See application file for complete search history.

(71) Applicant: **SANDVIK INTELLECTUAL PROPERTY AB**, Sandviken (SE)

(56) **References Cited**

(72) Inventors: **Claes Palsson**, Gavle (SE); **Linus Larsson**, Gothenburg (SE); **Sebastian Roos**, Gothenburg (SE); **Caspar Andren**, Gothenburg (SE); **Ove Larsson**, Vastra Frolunda (SE); **Rikard Ahlberg Agermark**, Stockholm (SE)

U.S. PATENT DOCUMENTS

6,666,117 B2 * 12/2003 Hu B25B 23/1427
464/35
6,886,434 B2 * 5/2005 Hu B25B 23/1427
464/35
D602,755 S * 10/2009 Junkers D8/24

(73) Assignee: **SANDVIK INTELLECTUAL PROPERTY AB**, Sandviken (SE)

* cited by examiner

(**) Term: **15 Years**

Primary Examiner — Randall Gholson

(21) Appl. No.: **29/536,215**

(74) *Attorney, Agent, or Firm* — Corinne R. Gorski

(22) Filed: **Aug. 14, 2015**

(57) **CLAIM**

The ornamental design for a torque wrench, as shown and described.

(30) **Foreign Application Priority Data**

DESCRIPTION

Feb. 20, 2015 (EP) 001430391

(51) **LOC (10) Cl.** **08-05**

(52) **U.S. Cl.**
USPC **D8/24**

(58) **Field of Classification Search**
USPC D8/21-29, 107, 61; 73/862.22, 862.23,
73/862.331-962.335; 81/467, 469, 479,
81/480-483, 57, 39; 464/25, 35

FIG. 1 is a bottom view of an embodiment of a torque wrench.

FIG. 2 is a top view of thereof.

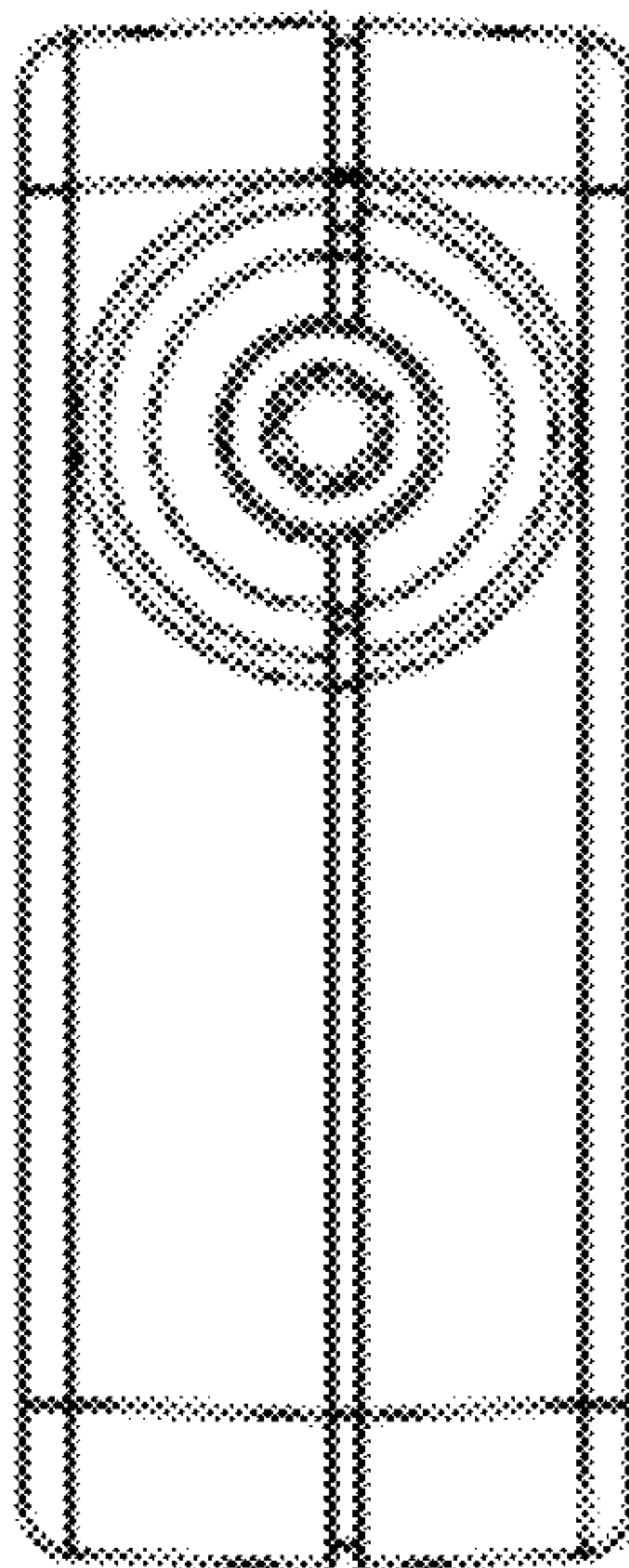
FIG. 3 is a side view thereof.

FIG. 4 is a front view thereof.

FIG. 5 is a top, perspective view thereof; and,

FIG. 6 is a bottom, rear perspective view thereof.

1 Claim, 3 Drawing Sheets



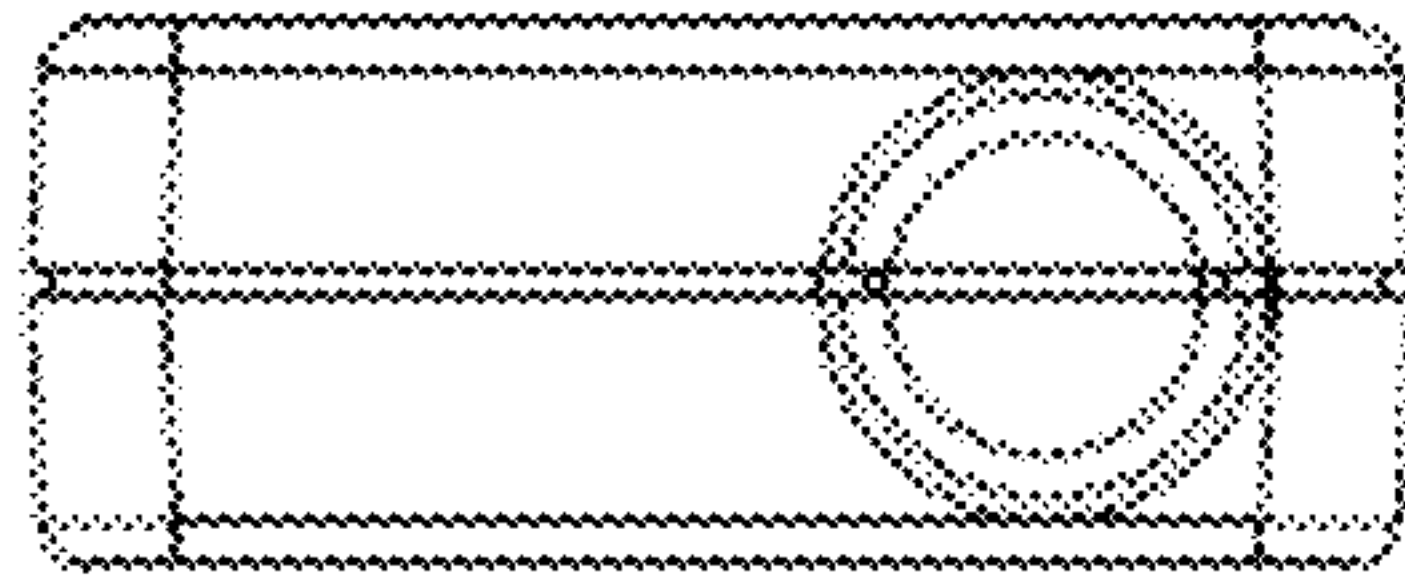


Fig. 2

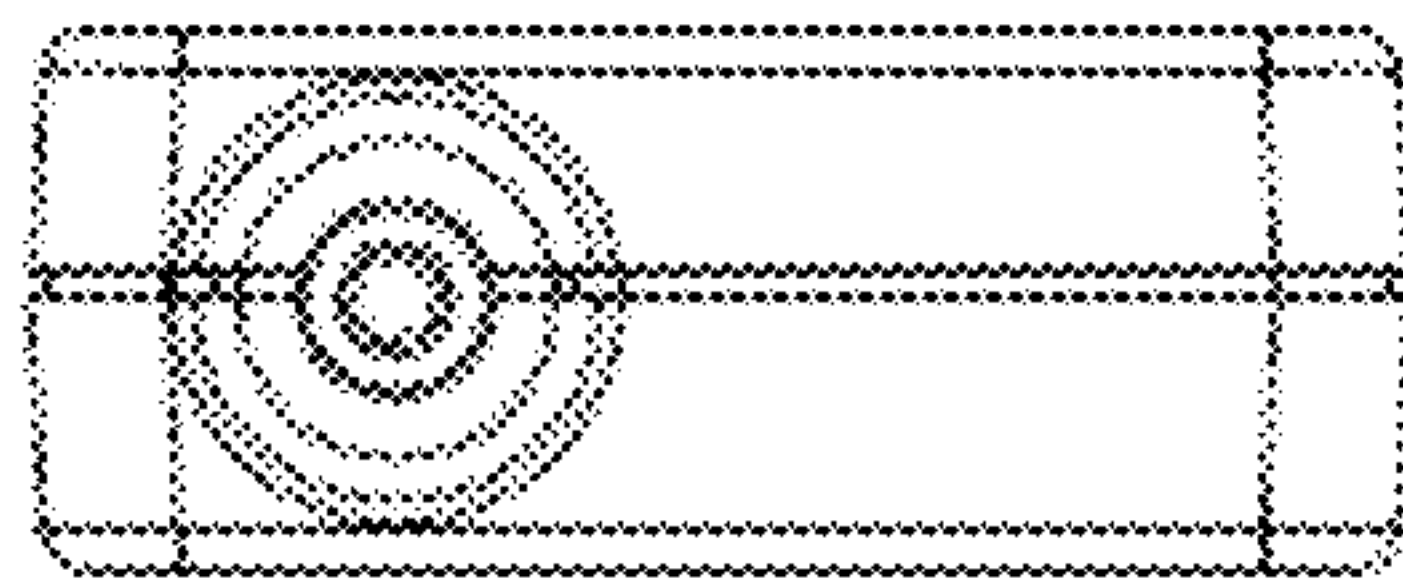


Fig. 1

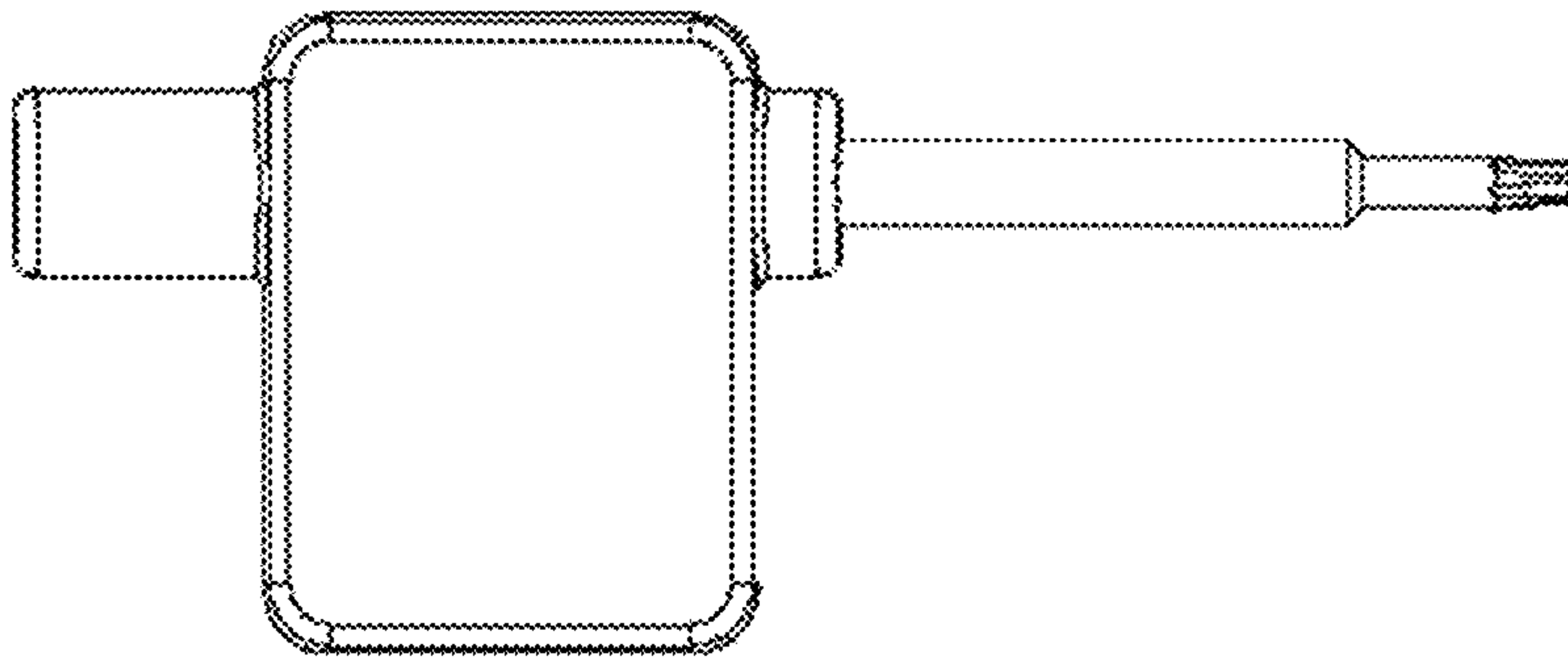


Fig. 4

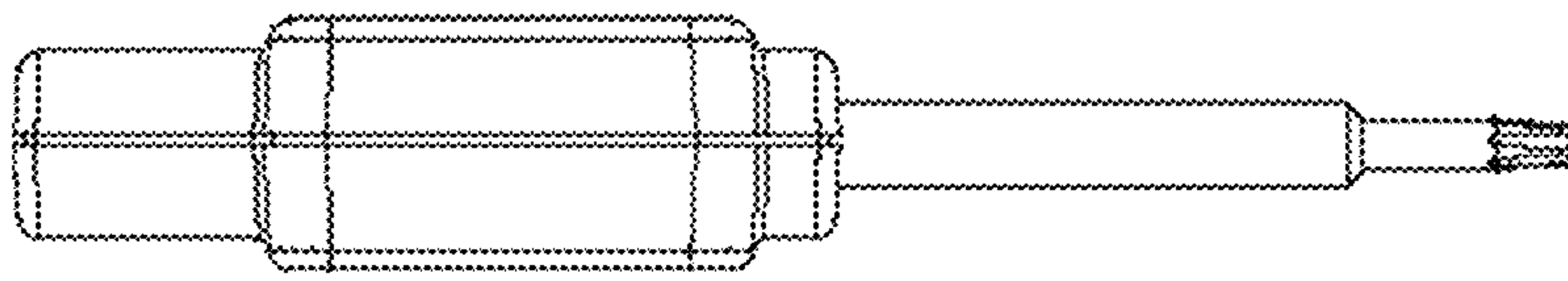


Fig. 3

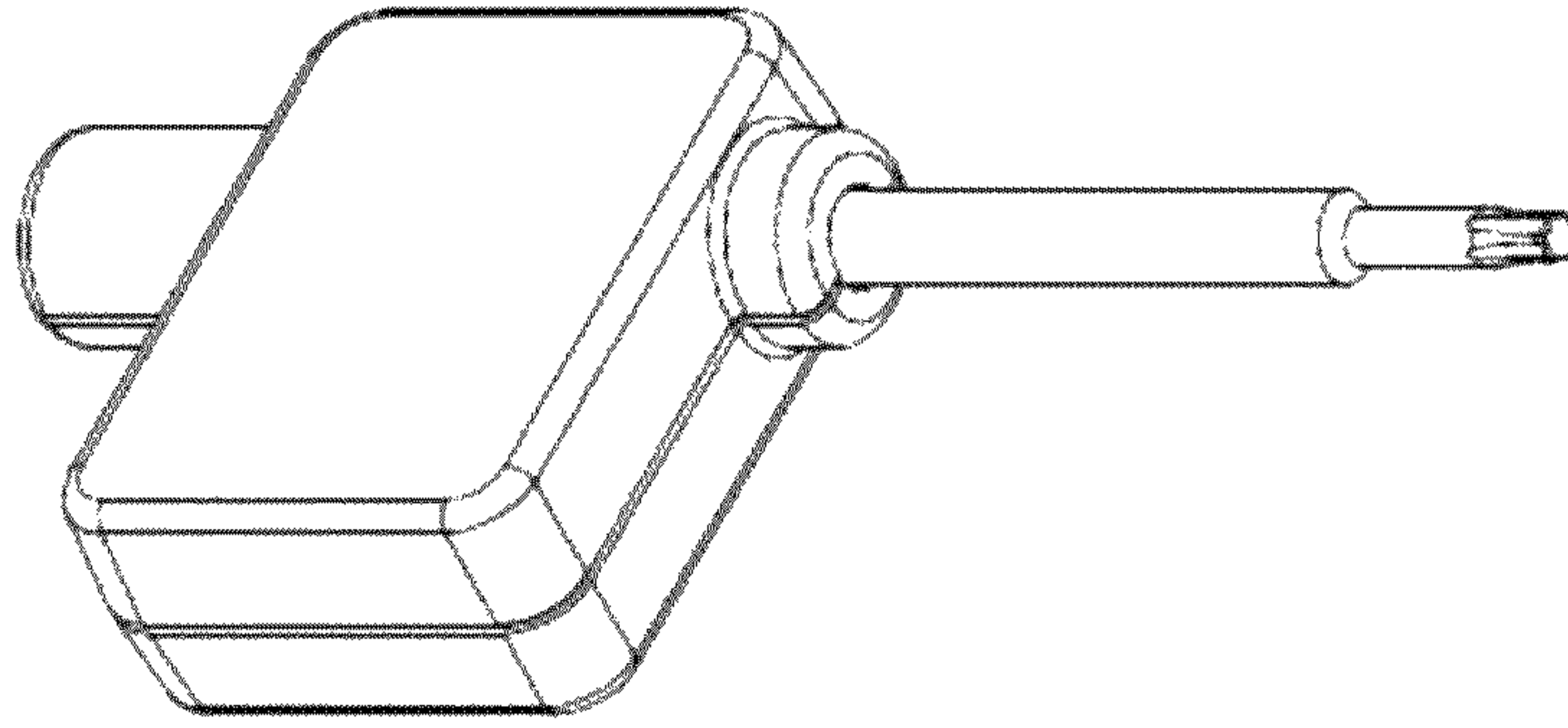


Fig. 6

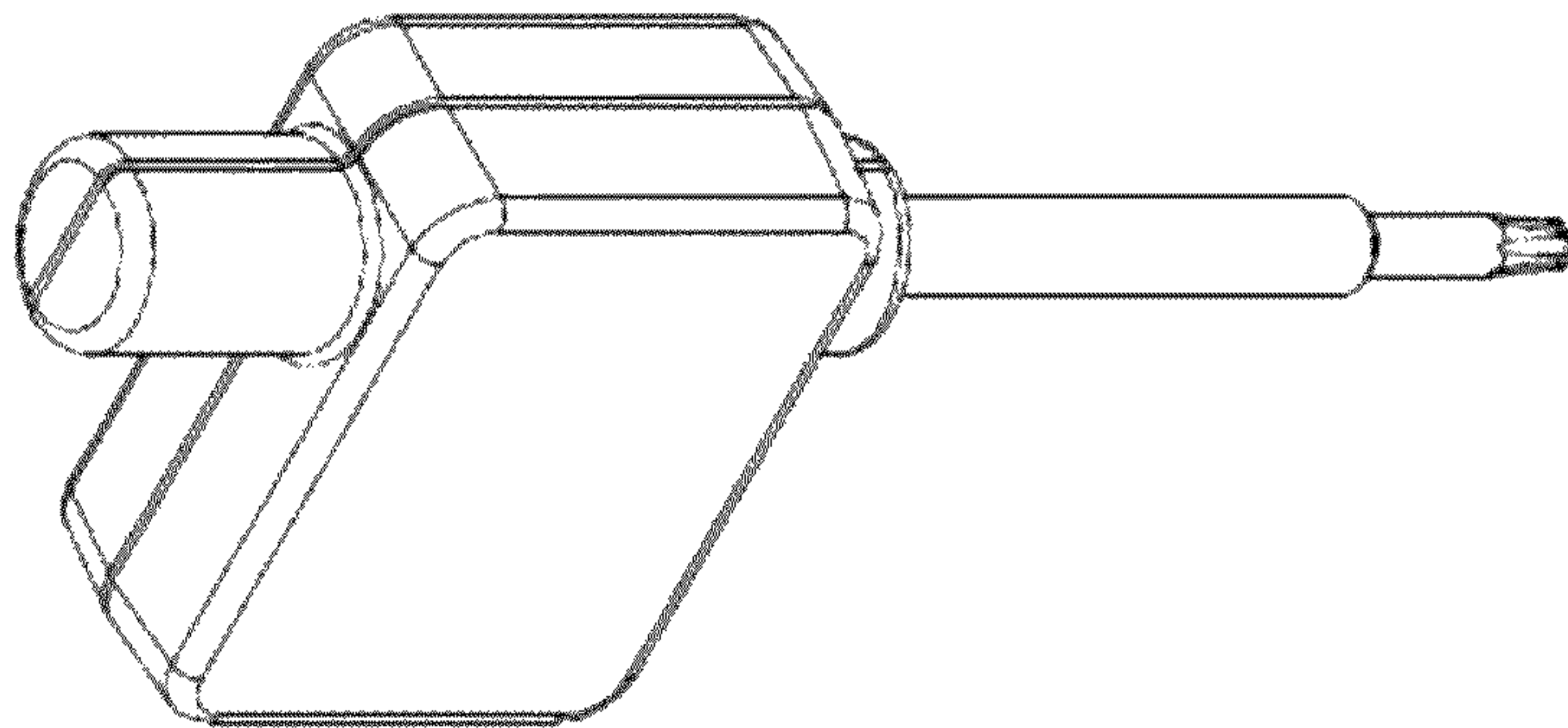


Fig. 5