



US00D767353S

(12) **United States Design Patent** (10) **Patent No.:** **US D767,353 S**
Miller et al. (45) **Date of Patent:** **** Sep. 27, 2016**

(54) **TORQUE WRENCH FOR ULTRASONIC INSTRUMENT**

81/177.4, 492, 57, 58, 13, 177.7, 490, 81/415-423, 427.5; 140/119; 16/422, 186, 16/429, 430; D24/133, 144, 147

(71) Applicant: **Ethicon Endo-Surgery, Inc.**, Cincinnati, OH (US)

CPC B25B 1/00
See application file for complete search history.

(72) Inventors: **Matthew C. Miller**, Cincinnati, OH (US); **David A. Witt**, Maineville, OH (US); **Joseph E. Young**, Loveland, OH (US); **Stephen E. Eichmann**, Cincinnati, OH (US); **John A. Weed, III**, Monroe, OH (US); **William D. Dannaheer**, Cincinnati, OH (US)

(56) **References Cited**

U.S. PATENT DOCUMENTS

1,080,554 A 12/1913 Hopkins
2,708,437 A 5/1955 Hutchins

(Continued)

FOREIGN PATENT DOCUMENTS

DE 20314010 U1 2/2005
EP 366624 A3 12/1990

(Continued)

OTHER PUBLICATIONS

Prosecution History of co-owned U.S. Pat. No. D617163, filed Aug. 26, 2009.

Primary Examiner — Randall Gholson

(57) **CLAIM**

The ornamental design for a torque wrench for ultrasonic instrument, as shown and described.

DESCRIPTION

FIG. 1 is a top perspective view of a torque wrench for ultrasonic instrument;
FIG. 2 is a top plan view thereof;
FIG. 3 is a side elevation view thereof;
FIG. 4 is a front end plan view thereof; and,
FIG. 5 is a back end plan view thereof.
The broken lines shown in the drawings are included for the purpose of illustrating structural environment and form no part of the claimed design.

1 Claim, 3 Drawing Sheets

(73) Assignee: **Ethicon Endo-Surgery, LLC**, Guaynabo, PR (US)

(**) Term: **14 Years**

(21) Appl. No.: **29/525,846**

(22) Filed: **May 4, 2015**

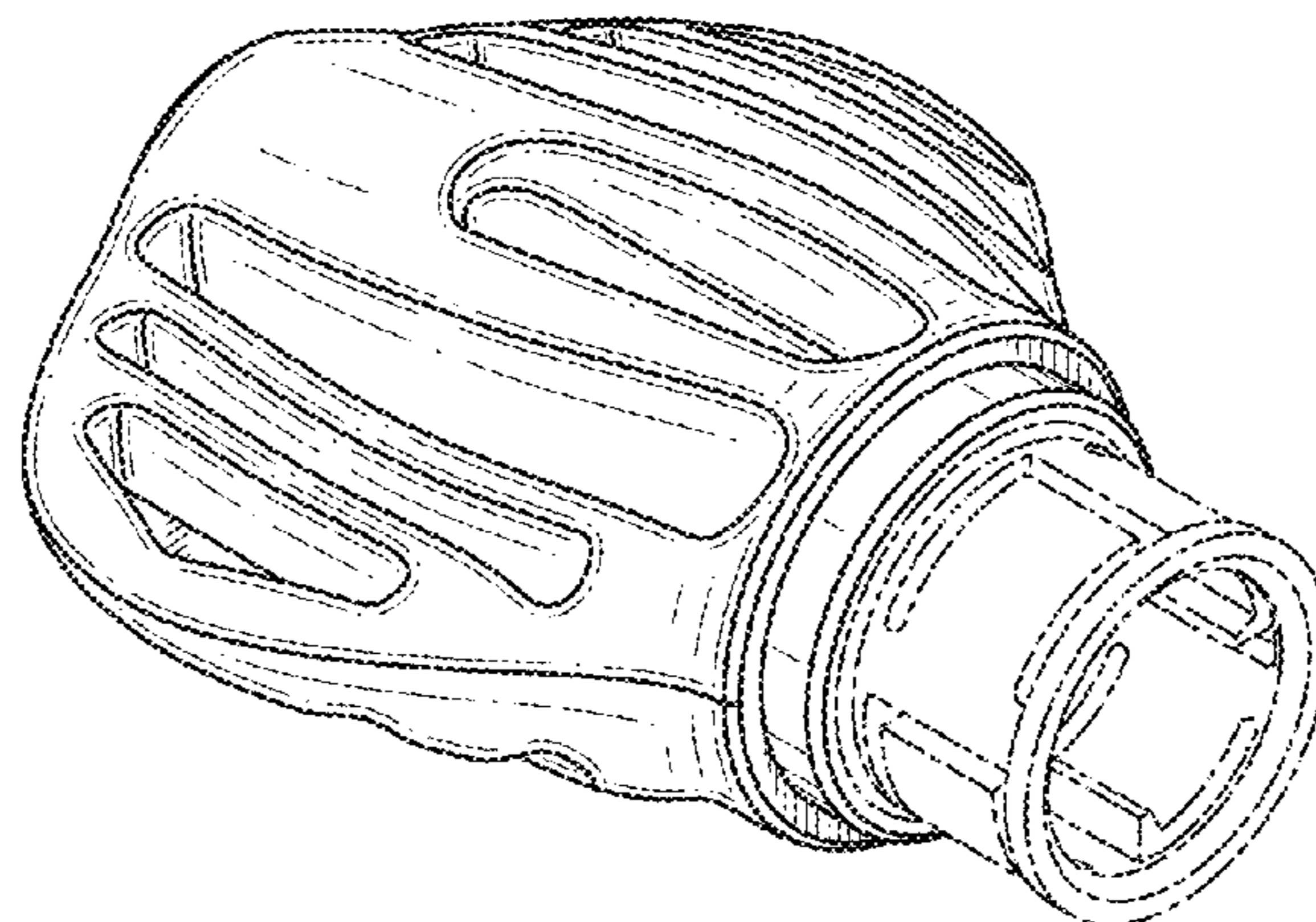
Related U.S. Application Data

(60) Continuation of application No. 13/858,484, filed on Apr. 8, 2013, now Pat. No. 9,023,072, which is a continuation of application No. 13/525,808, filed on Jun. 18, 2012, now Pat. No. 8,435,258, which is a division of application No. 11/751,733, filed on May 22, 2007, now Pat. No. 8,366,727.

(51) **LOC (10) Cl.** **08-05**

(52) **U.S. Cl.**
USPC **D8/24**

(58) **Field of Classification Search**
USPC D8/17, 21-29, 52, 55, 81-87, 102-107, D8/98, 99, 93, 94; 81/119, 121.1, 86, 81/124.2, 125, 125.1, 176.1, 176.2, 177.1, 81/177.2, 177.3, 177.85, 124.3, 124.7, 81/176.3, 179, 160, 3.57, 3.55, 58.4, 186, 81/58.3, 300, 58.1, 60-63.2, 165-170, 81/110.1, 124.6, 176.15, 121.7, 436, 437, 81/418, 166, 177.8, 177.9, 185.1, 3.4,



(56)

References Cited

U.S. PATENT DOCUMENTS

3,142,211 A 7/1964 Faso
 3,486,402 A 12/1969 Dunlap
 D245,062 S * 7/1977 Grame 47/48.5
 4,832,021 A 5/1989 Kuhl et al.
 4,989,583 A 2/1991 Hood
 5,057,119 A 10/1991 Clark et al.
 5,059,210 A 10/1991 Clark et al.
 5,119,983 A 6/1992 Green et al.
 5,359,996 A 11/1994 Hood
 5,417,672 A 5/1995 Nita et al.
 5,591,143 A 1/1997 Trombley, III et al.
 5,776,155 A 7/1998 Beaupre et al.
 D401,334 S * 11/1998 Herman D24/133
 5,921,956 A 7/1999 Grinberg et al.
 5,968,061 A 10/1999 Mirza
 5,980,510 A 11/1999 Tsonton et al.
 6,036,667 A 3/2000 Manna et al.
 6,214,023 B1 4/2001 Whipple et al.
 6,439,086 B1 8/2002 Bahr
 6,468,286 B2 10/2002 Mastri et al.
 6,499,358 B1 12/2002 Hogan et al.
 D479,111 S * 9/2003 Wang D8/107
 6,662,693 B2 12/2003 Hu
 6,716,028 B2 4/2004 Rahman et al.
 6,773,444 B2 8/2004 Messerly
 6,807,885 B2 10/2004 Loper

6,958,070 B2 10/2005 Witt
 D514,917 S * 2/2006 Coudurier D8/107
 7,014,023 B1 3/2006 Gauthier
 7,159,494 B2 1/2007 Jamnia et al.
 7,247,161 B2 7/2007 Johnston et al.
 7,430,945 B2 10/2008 Gauthier et al.
 7,487,700 B2 * 2/2009 Cutler B25B 23/1427
 81/467
 7,512,446 B2 3/2009 Honeck
 D614,005 S * 4/2010 Miller D8/24
 D614,006 S * 4/2010 Miller D8/24
 D617,163 S 6/2010 Miller et al.
 D622,565 S * 8/2010 Huang D8/25
 7,799,044 B2 9/2010 Johnston et al.
 7,913,594 B2 3/2011 Gauthier et al.
 D646,387 S * 10/2011 Bast D24/133
 8,114,104 B2 2/2012 Young
 8,167,616 B2 5/2012 Jamnia et al.
 D735,855 S * 8/2015 Kimball D24/144
 9,314,254 B2 * 4/2016 Livorsi A61B 17/1671
 2004/0144220 A1 7/2004 Stoick et al.

FOREIGN PATENT DOCUMENTS

EP 1649980 B1 9/2013
 GB 2148767 A 6/1985
 JP 1996275948 A 10/1996

* cited by examiner

FIG. 1

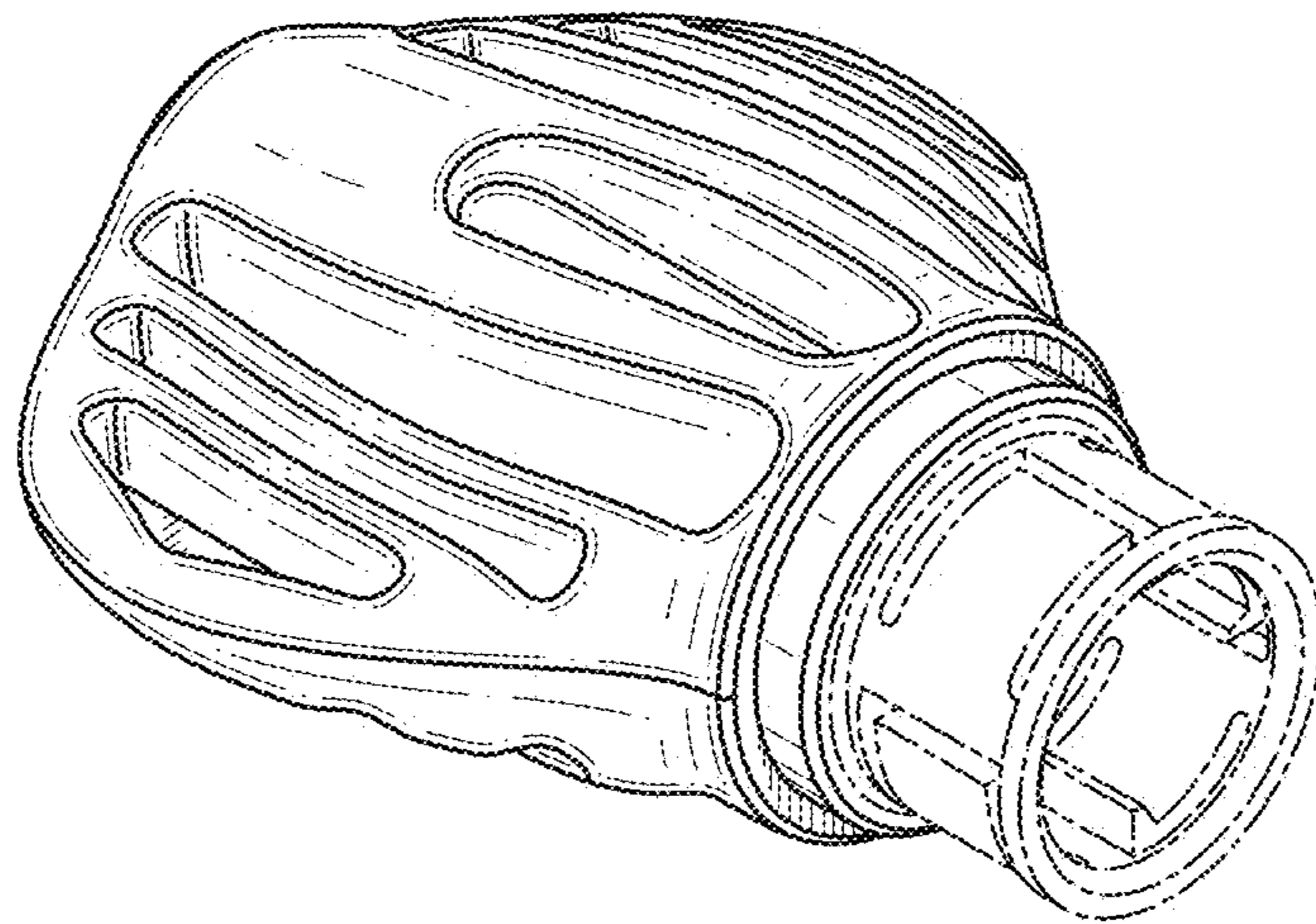


FIG. 2

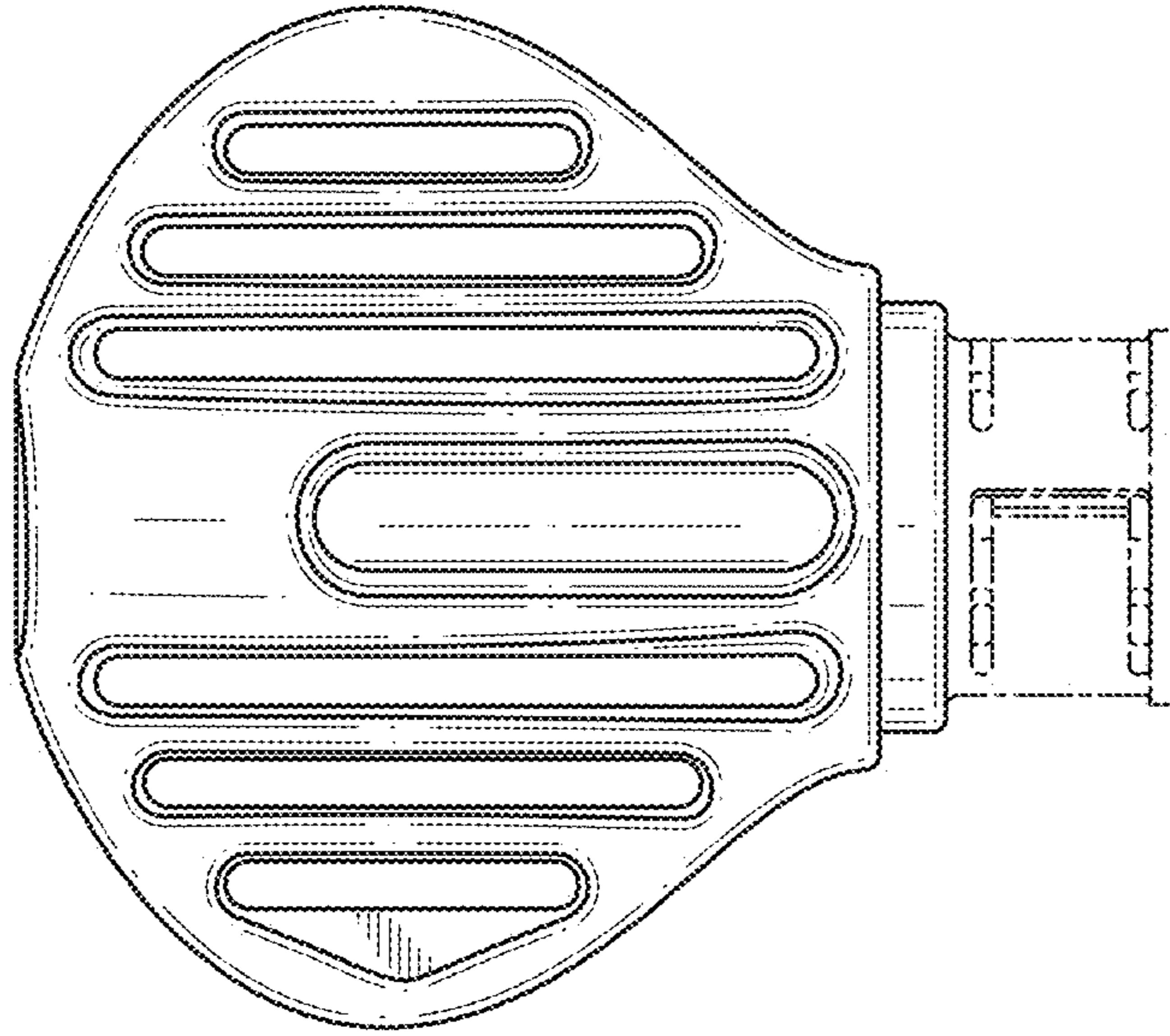


FIG. 3

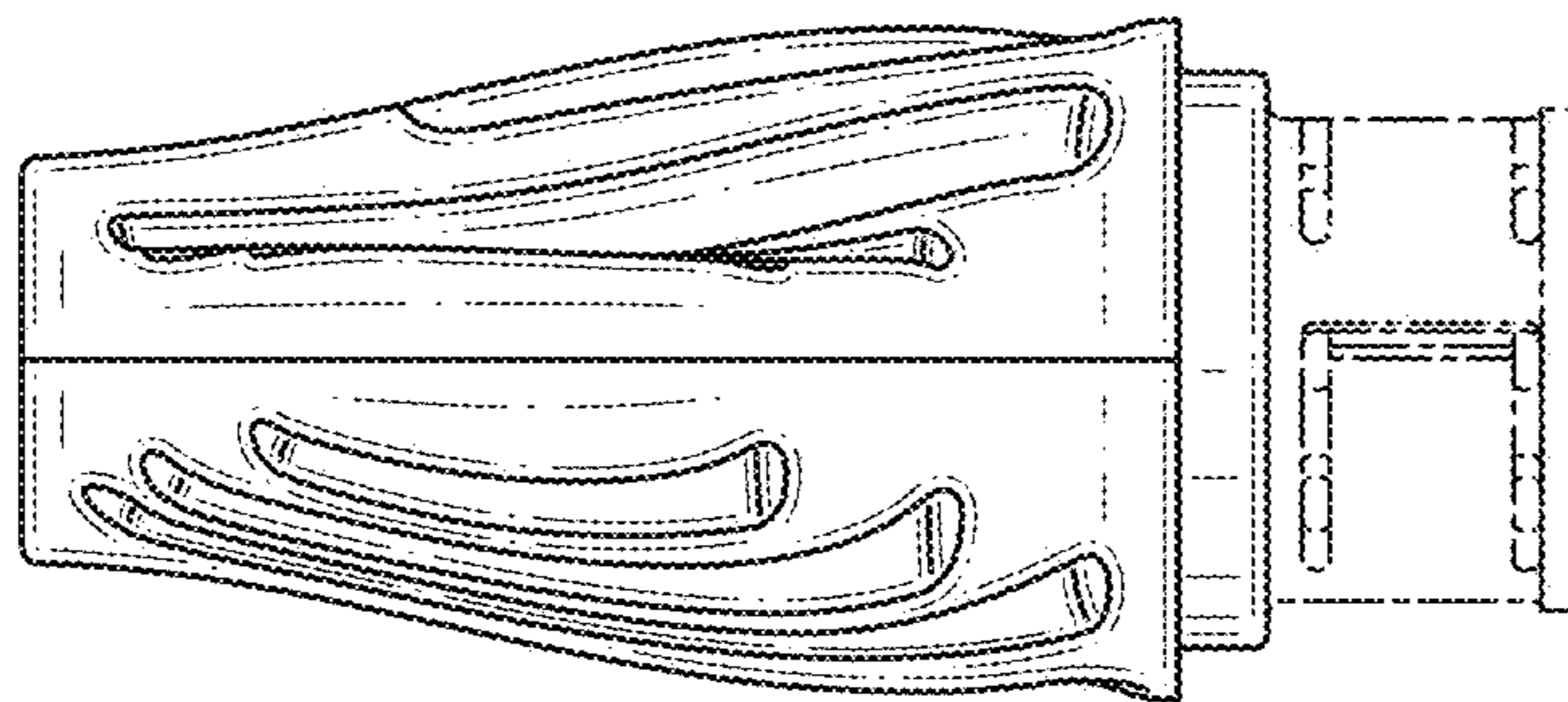


FIG. 4

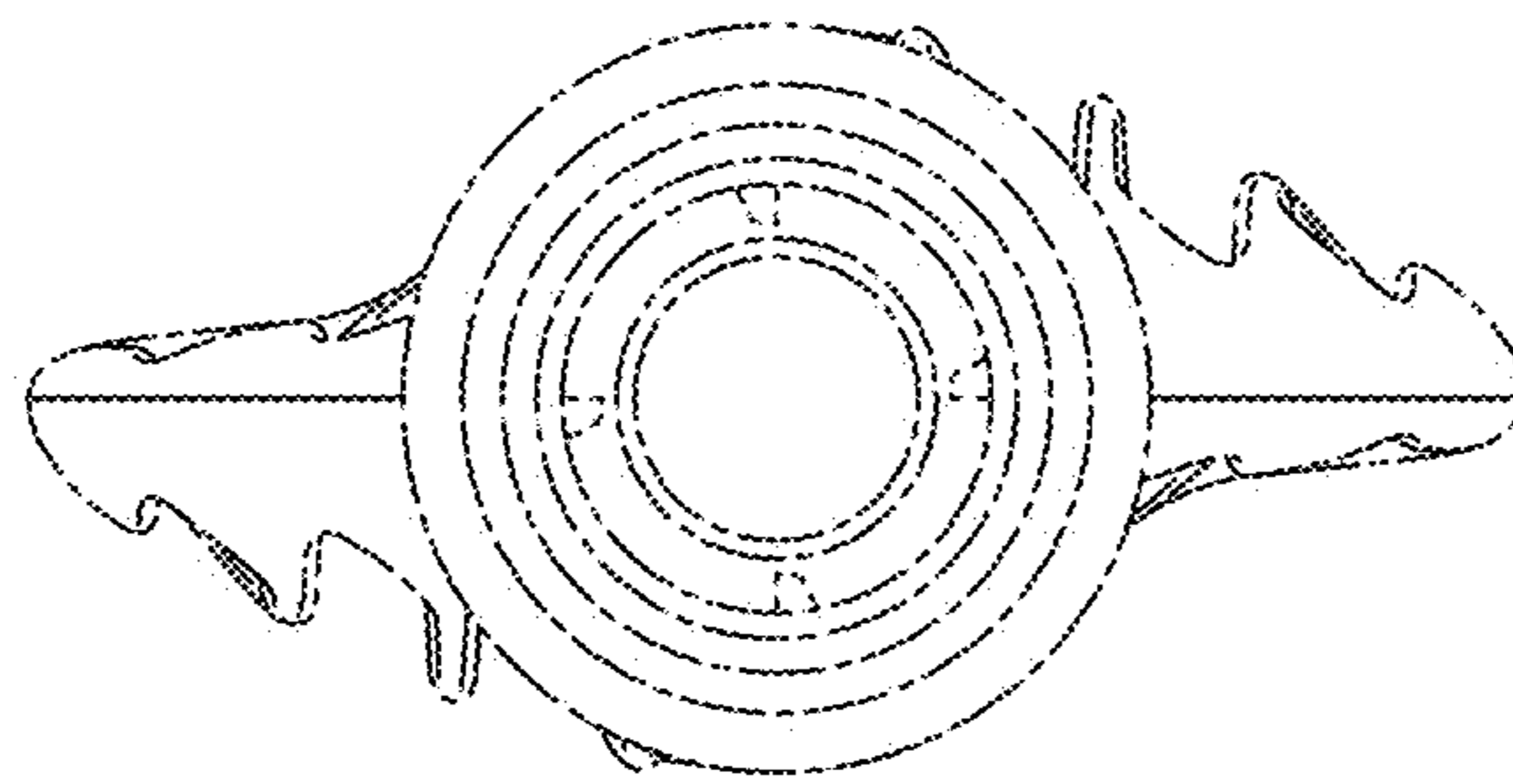


FIG. 5

