

US00D767351S

(12) **United States Design Patent**
Stickrod

(10) **Patent No.:** **US D767,351 S**

(45) **Date of Patent:** **** Sep. 27, 2016**

(54) **CONSTRUCTION TOOL**

(71) Applicant: **James W. Stickrod**, Lexington, KY
(US)

(72) Inventor: **James W. Stickrod**, Lexington, KY
(US)

(**) Term: **14 Years**

(21) Appl. No.: **29/474,089**

(22) Filed: **May 27, 2014**

(51) **LOC (10) Cl.** **08-05**

(52) **U.S. Cl.**
USPC **D8/14**

(58) **Field of Classification Search**
USPC D8/4, 5, 14, 51-56, 105, 107
CPC E04G 21/1808; E04G 21/1816
See application file for complete search history.

(56) **References Cited**

U.S. PATENT DOCUMENTS

2,685,741	A *	8/1954	Wilkinson	E04G 21/1816 33/406
2,835,977	A *	5/1958	Lacis	E04G 21/1808 211/119.17
3,111,764	A *	11/1963	Mayes	E04G 21/22 182/129
3,212,191	A	10/1965	Lessard		
3,397,458	A *	8/1968	Wicklund	E04G 21/1808 33/410
3,457,649	A *	7/1969	Rodgers	E04G 21/1808 33/404
4,144,649	A *	3/1979	Huston	E04G 21/1816 33/409
4,338,728	A *	7/1982	Valead	E04G 21/1808 33/406
4,970,797	A *	11/1990	Sarasin	E04G 21/1808 33/404

5,009,015	A	4/1991	Redl		
5,274,929	A *	1/1994	Tocci	G01C 15/10 33/404
D347,798	S	6/1994	Tindoll		
5,964,042	A *	10/1999	Carper	E04G 21/1808 33/407
6,857,234	B2 *	2/2005	Goudreau	E04G 21/1816 33/408
D547,152	S *	7/2007	Anzaldua	D8/51
7,669,343	B2 *	3/2010	Reynolds	E04G 21/1816 33/1 LE
7,770,299	B2	8/2010	Clancy		

* cited by examiner

Primary Examiner — Deanna L Pratt

(74) *Attorney, Agent, or Firm* — Paul R. Martin

(57) **CLAIM**

The ornamental design for a construction tool, as shown and described.

DESCRIPTION

FIG. 1 is a perspective view of the construction tool of my new design.

FIG. 2 is an elevational view of the front side thereof.

FIG. 3 is an elevational view of the back side thereof.

FIG. 4 is a top plan view thereof.

FIG. 5 is a bottom plan I view thereof.

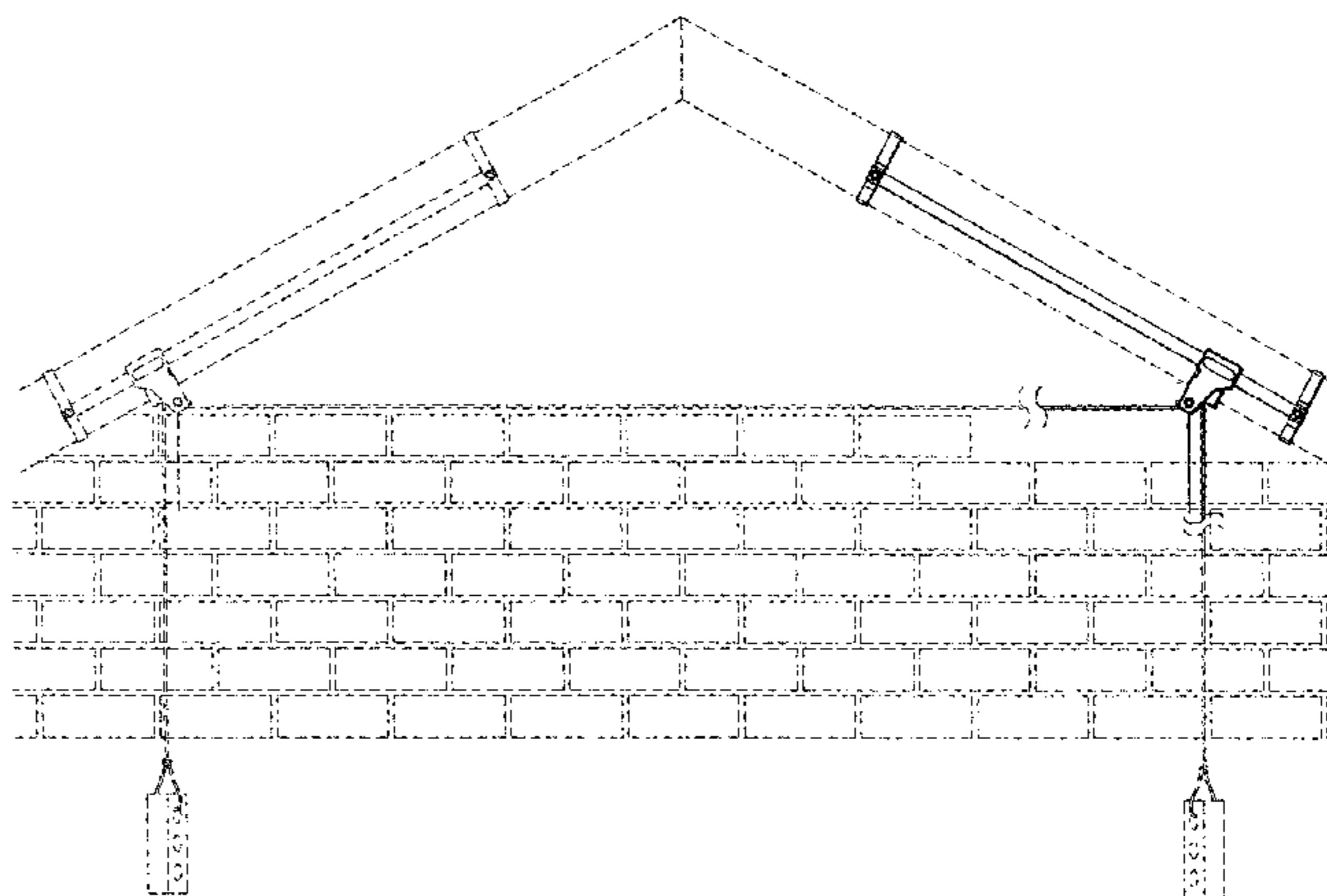
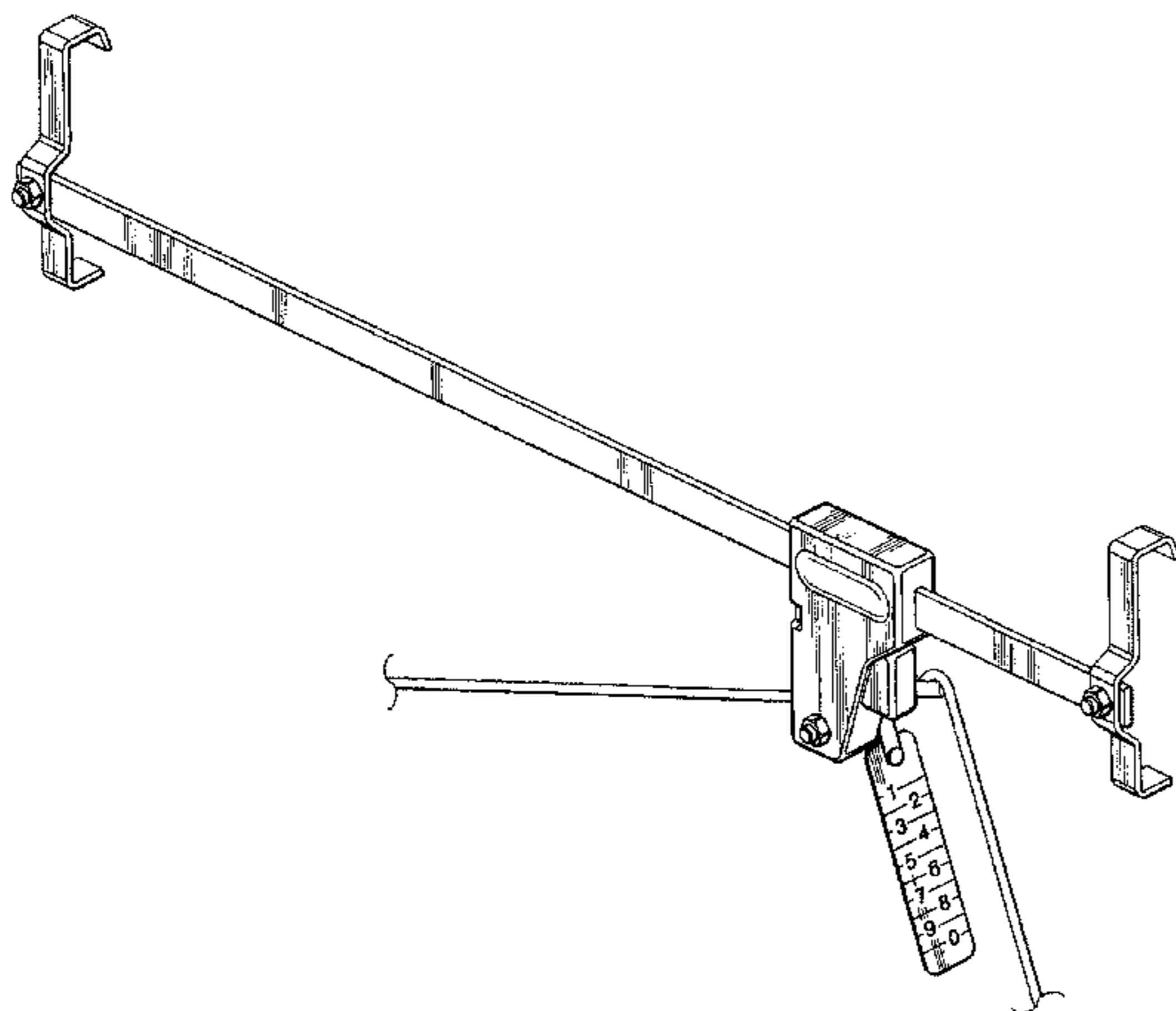
FIG. 6 is an elevational view of the right edge thereof, as seen in FIG. 1.

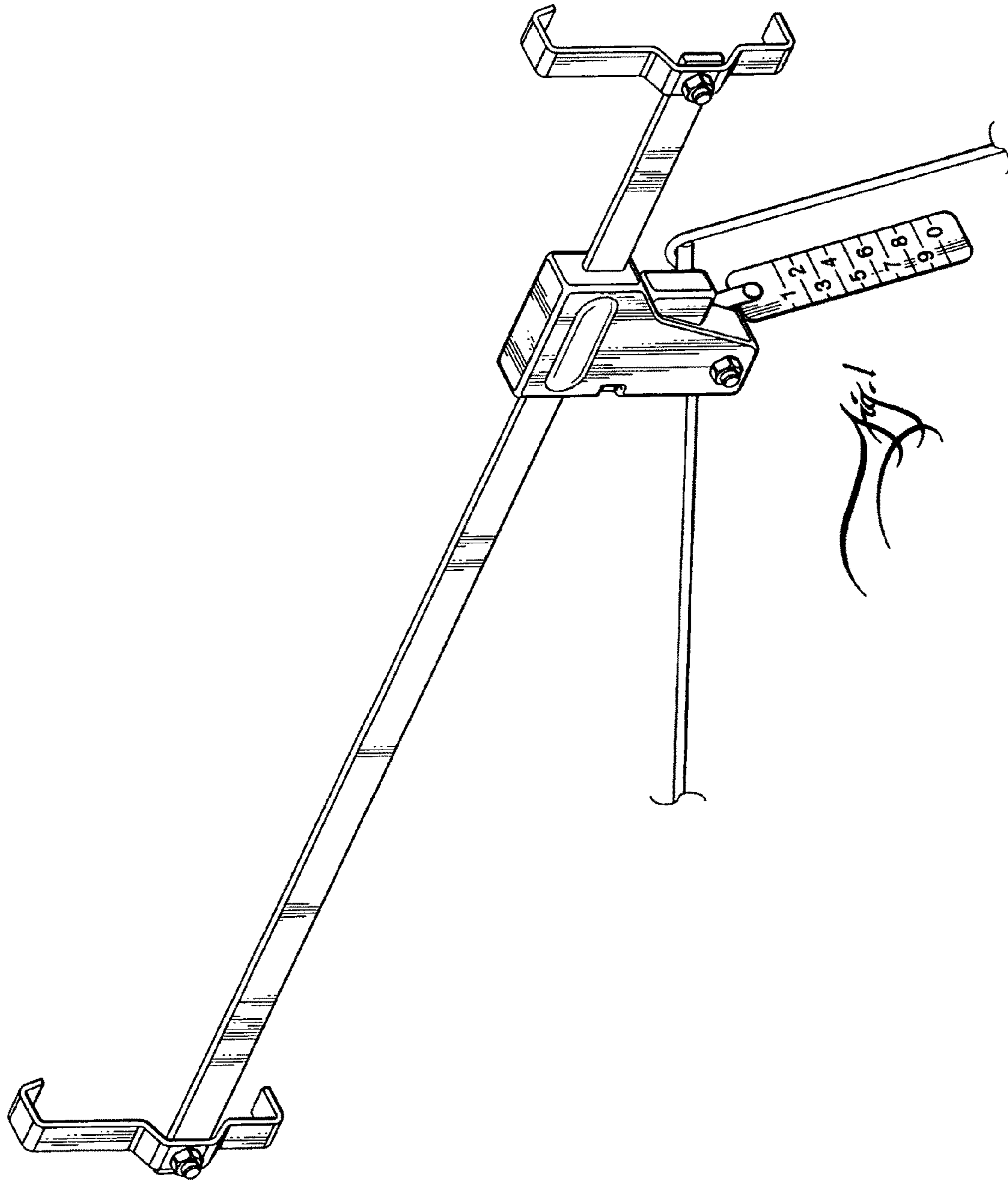
FIG. 7 is an elevational view of the left edge thereof, as seen in FIG. 1; and,

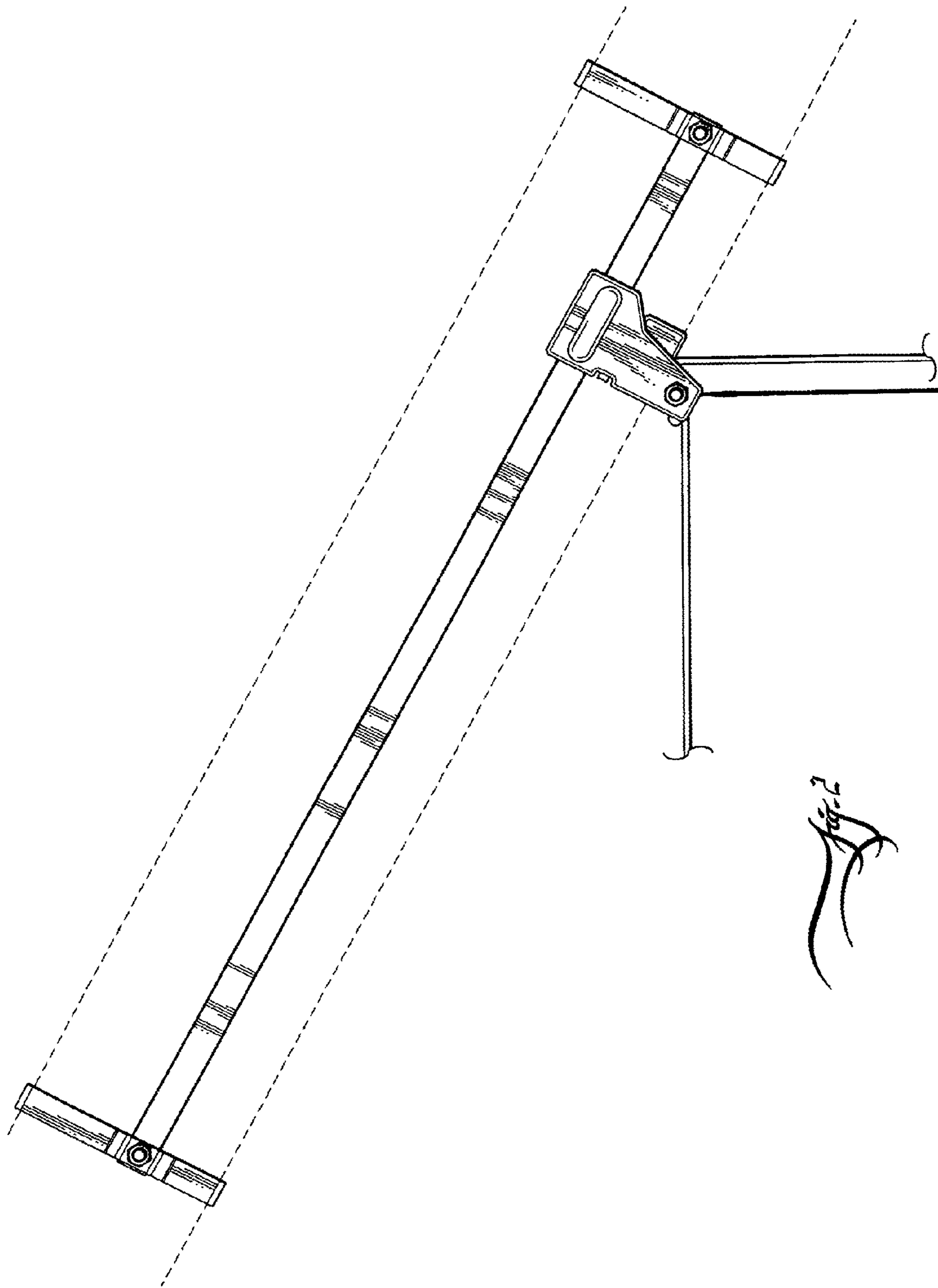
FIG. 8 is a perspective view of my construction tool, showing it mounted on rafters of a building under construction.

The broken line elements shown in FIGS. 2, 3, 6, 7, and 8, depicting rafters and bricks represent environmental considerations, and form no part of my new design.

1 Claim, 6 Drawing Sheets







2-10-16
[Signature]

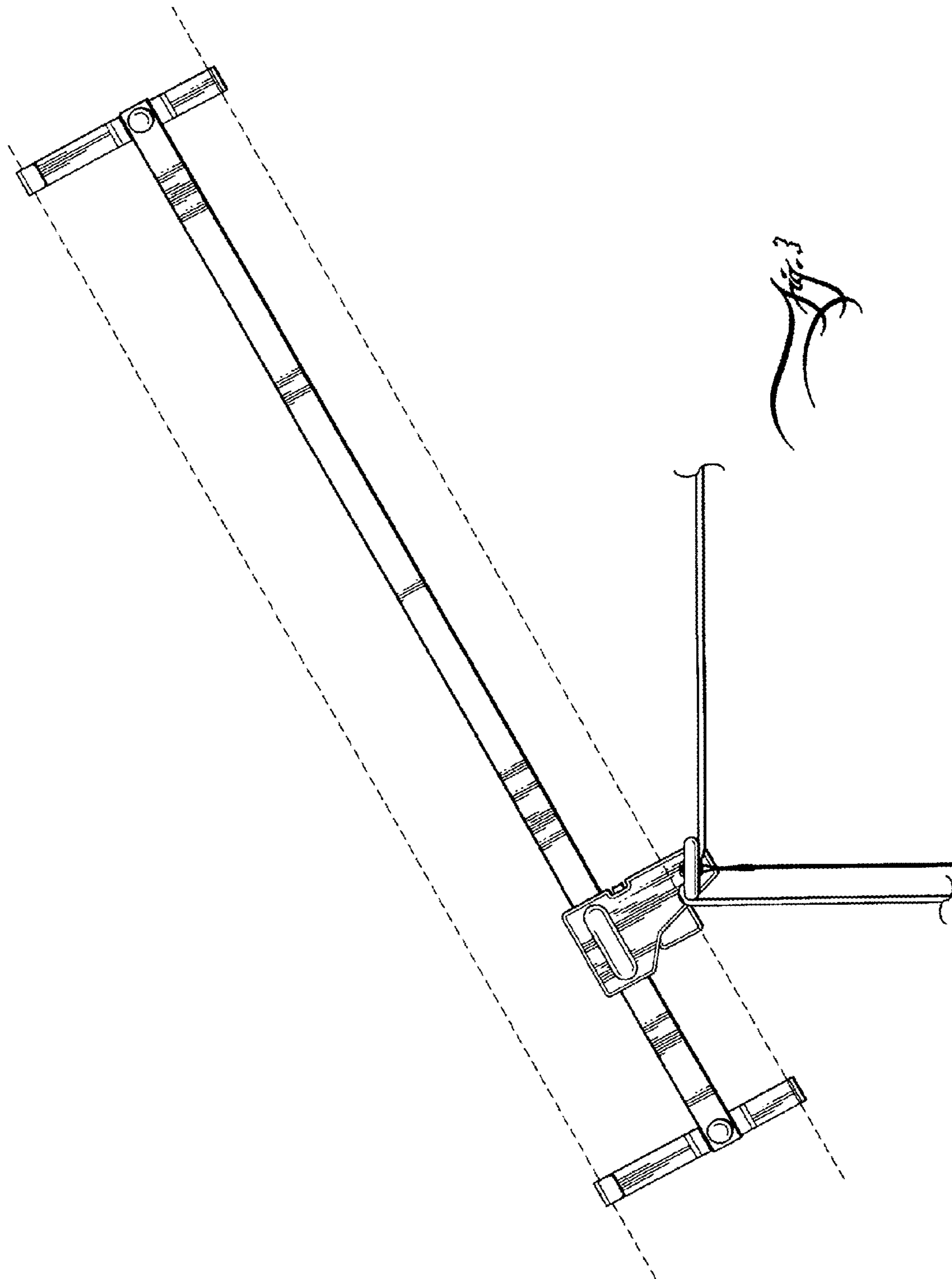


Fig. 3

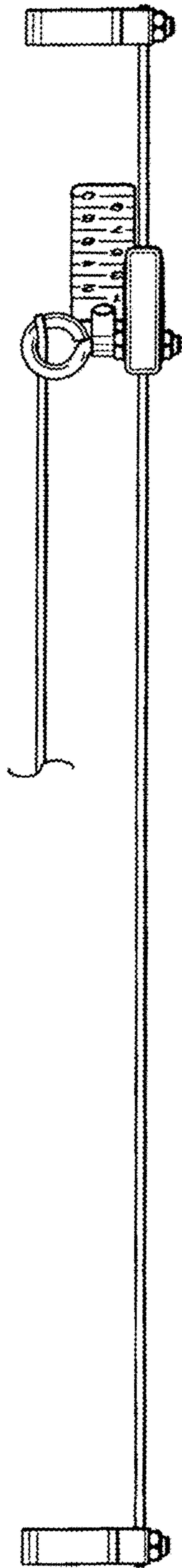


Fig. 4



Fig. 5

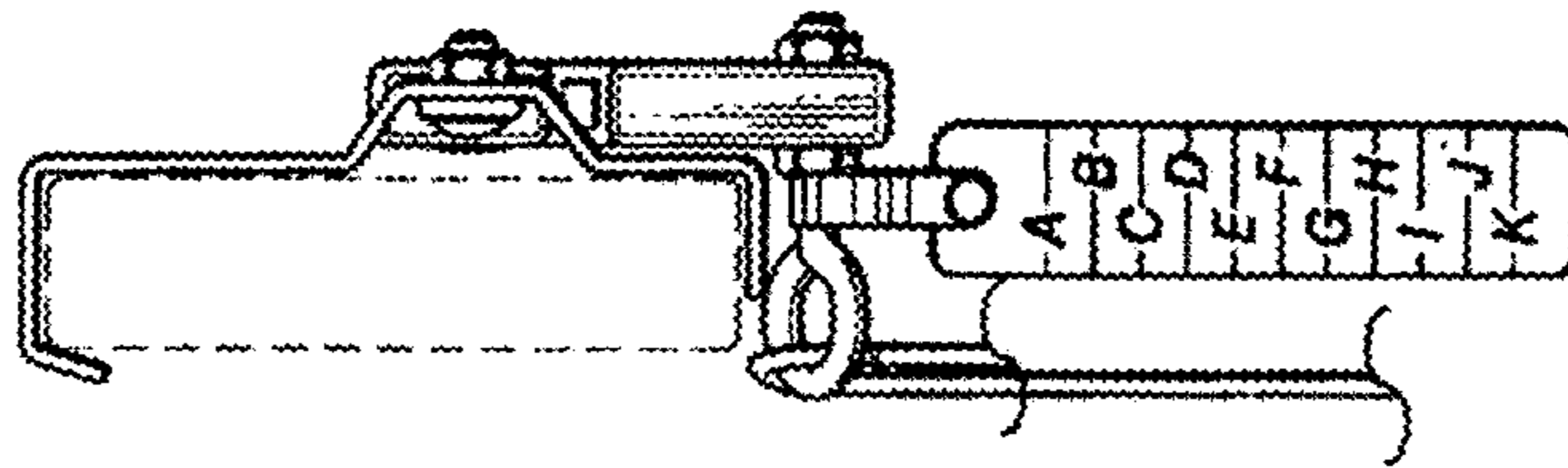


Fig. 7

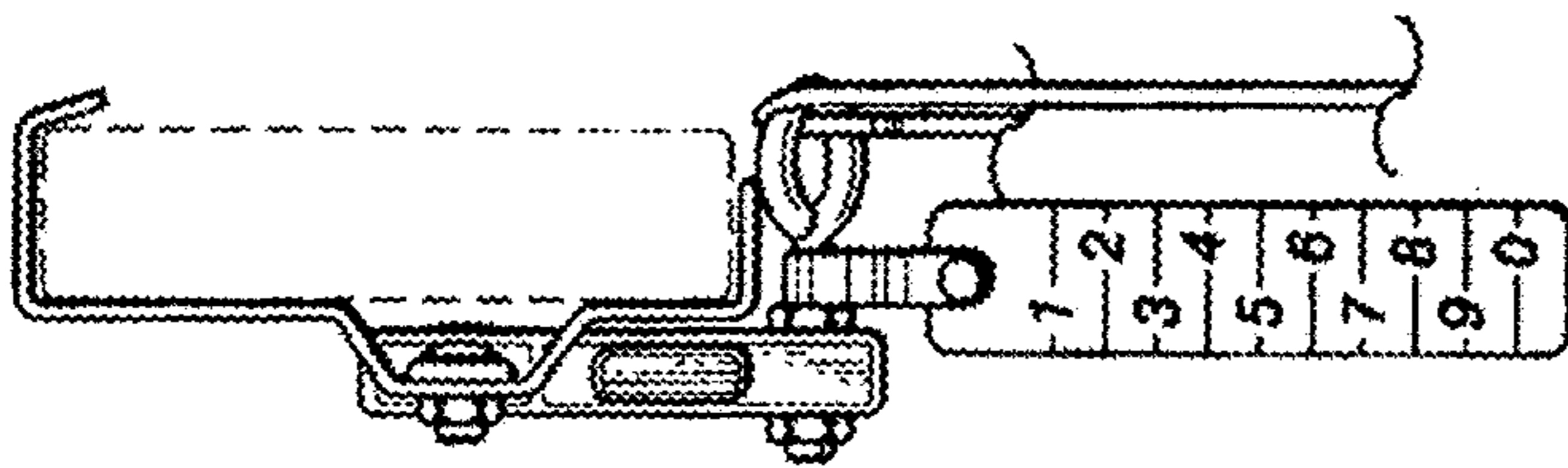


Fig. 8

