



US00D767343S

(12) **United States Design Patent**
Tsai

(10) **Patent No.:** **US D767,343 S**
(45) **Date of Patent:** **** Sep. 27, 2016**

(54) **FRUIT BOWL**

(71) Applicant: **Tsung-Yu Tsai**, Changhua (TW)

(72) Inventor: **Tsung-Yu Tsai**, Changhua (TW)

(73) Assignee: **Pretty Star Store, LLC**, Rowland Heights, CA (US)

(**) Term: **14 Years**

(21) Appl. No.: **29/497,384**

(22) Filed: **Jul. 23, 2014**

(51) **LOC (10) Cl.** **07-01**

(52) **U.S. Cl.**
USPC **D7/601**

(58) **Field of Classification Search**
USPC D6/676.5, 677.5, 678, 678.4, 680.3;
D7/505, 601, 602, 704; 211/13.1, 41.3,
211/41.4, 86.01, 88.01, 90.03, 181.1;
248/107, 116, 153, 175, 465.1
CPC A47B 23/00; A47B 41/06; A47D 15/00;
A47D 19/04; A47F 7/00; A47F 5/00; A47F
5/08; A47F 5/14; A47G 19/08; A47G 23/02;
A47J 47/16
See application file for complete search history.

(56) **References Cited**

U.S. PATENT DOCUMENTS

D670,970 S * 11/2012 Goodman D7/601
D671,371 S * 11/2012 Goodman D7/601

D697,374 S * 1/2014 Goodman D7/601
D698,204 S * 1/2014 Goodman D7/601
D753,451 S * 4/2016 Khaitan D7/704

OTHER PUBLICATIONS

Amazon, *Superiore Livello Bronze Wire Fruit Tree Basketl with Banana Hanger, Elegant and Decorative Fruit Bowl with Banana Hook, Classic Design, Fashionable and Stylish Look*, Publication date unknown, [site visited May 10, 2016], Available on the Internet URL: <<http://www.amazon.com/Superiore-Livello-Basketl-Decorative-Fashionable/dp/B01597ZQD4/ref=s>>.*

* cited by examiner

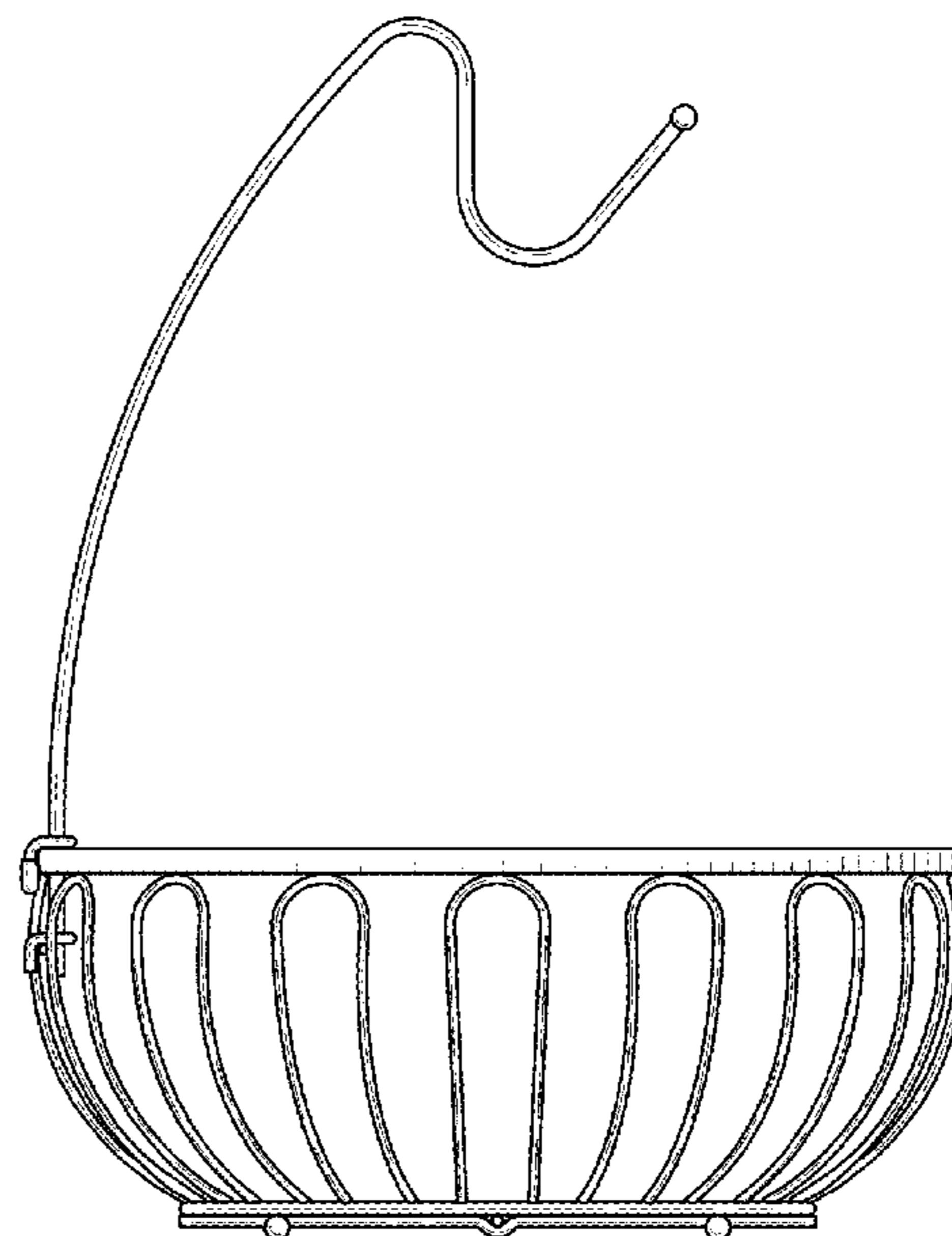
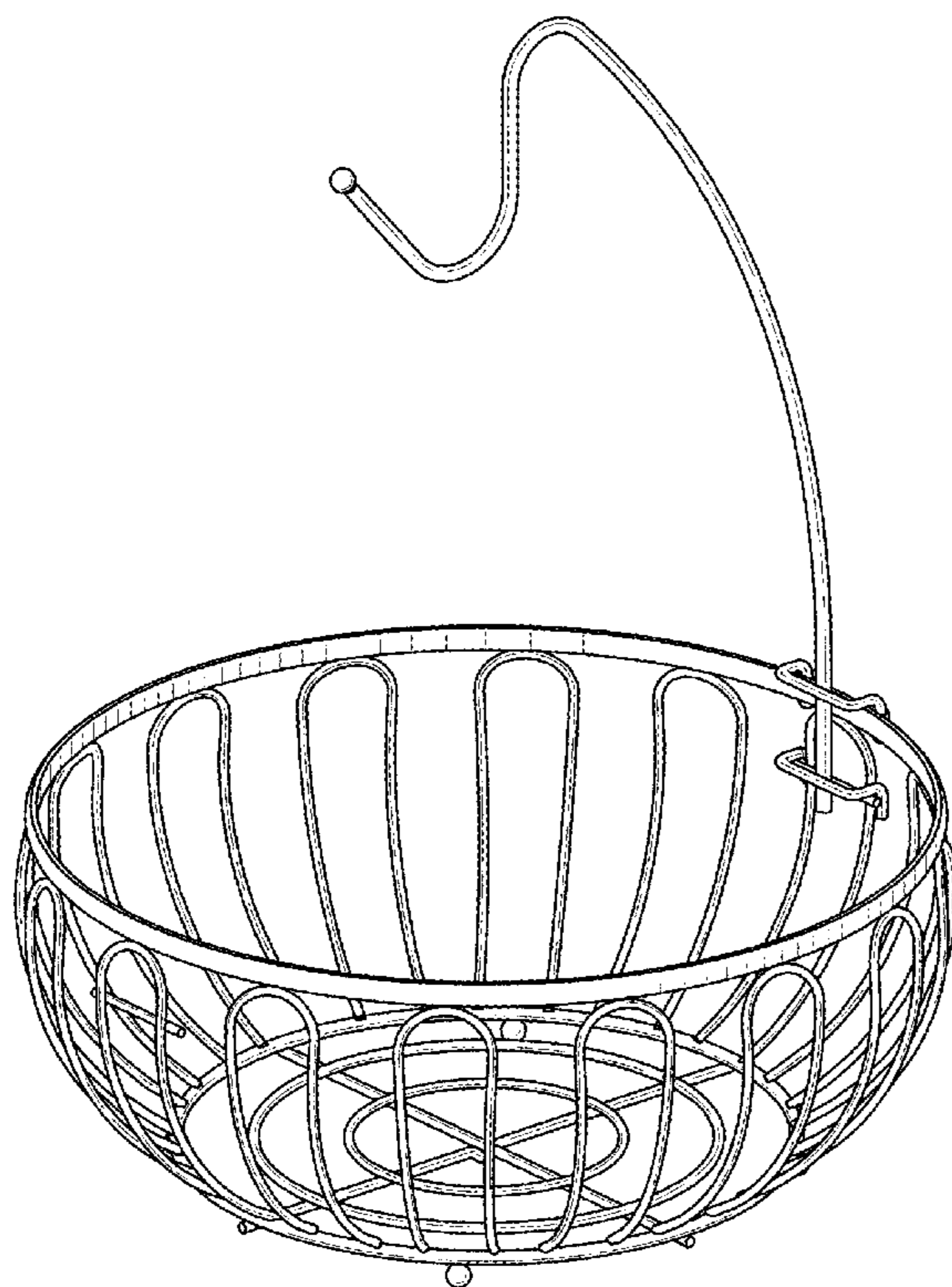
Primary Examiner — Susan Bennett Hattan
Assistant Examiner — S. Bryan Reinholdt, Jr.
(74) *Attorney, Agent, or Firm* — Quickpatents, LLC; Kevin Prince

(57) **CLAIM**
I claim the ornamental design for a fruit bowl, as shown and described.

DESCRIPTION

FIG. 1 is a perspective view of a fruit bowl, showing my new design;
FIG. 2 is a right-side elevational view thereof;
FIG. 3 is a left-side elevational view thereof;
FIG. 4 is a rear elevational view thereof;
FIG. 5 is a front elevational view thereof;
FIG. 6 is a top plan view thereof; and,
FIG. 7 is a bottom plan view thereof.

1 Claim, 4 Drawing Sheets



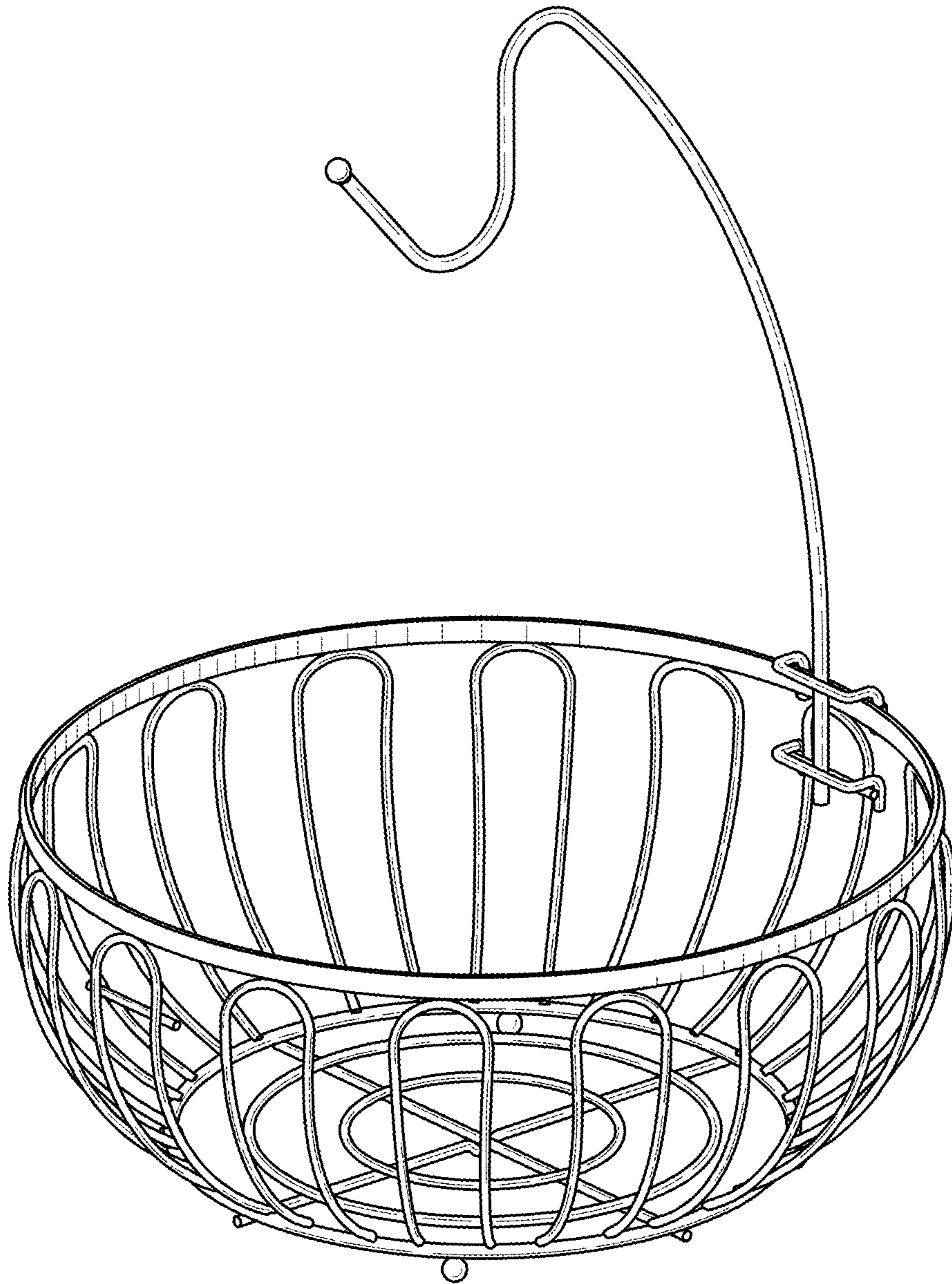


FIG. 1

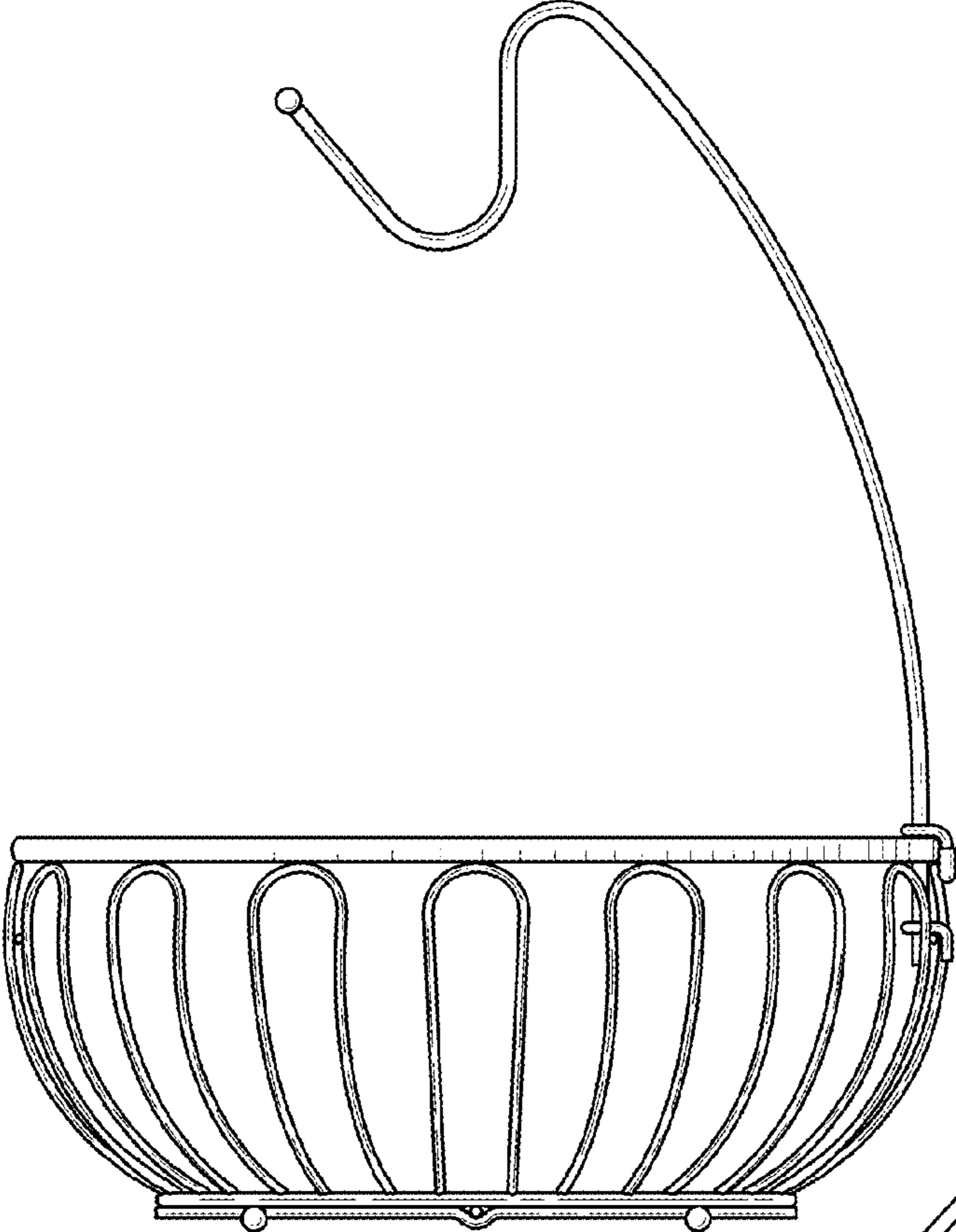


FIG. 2

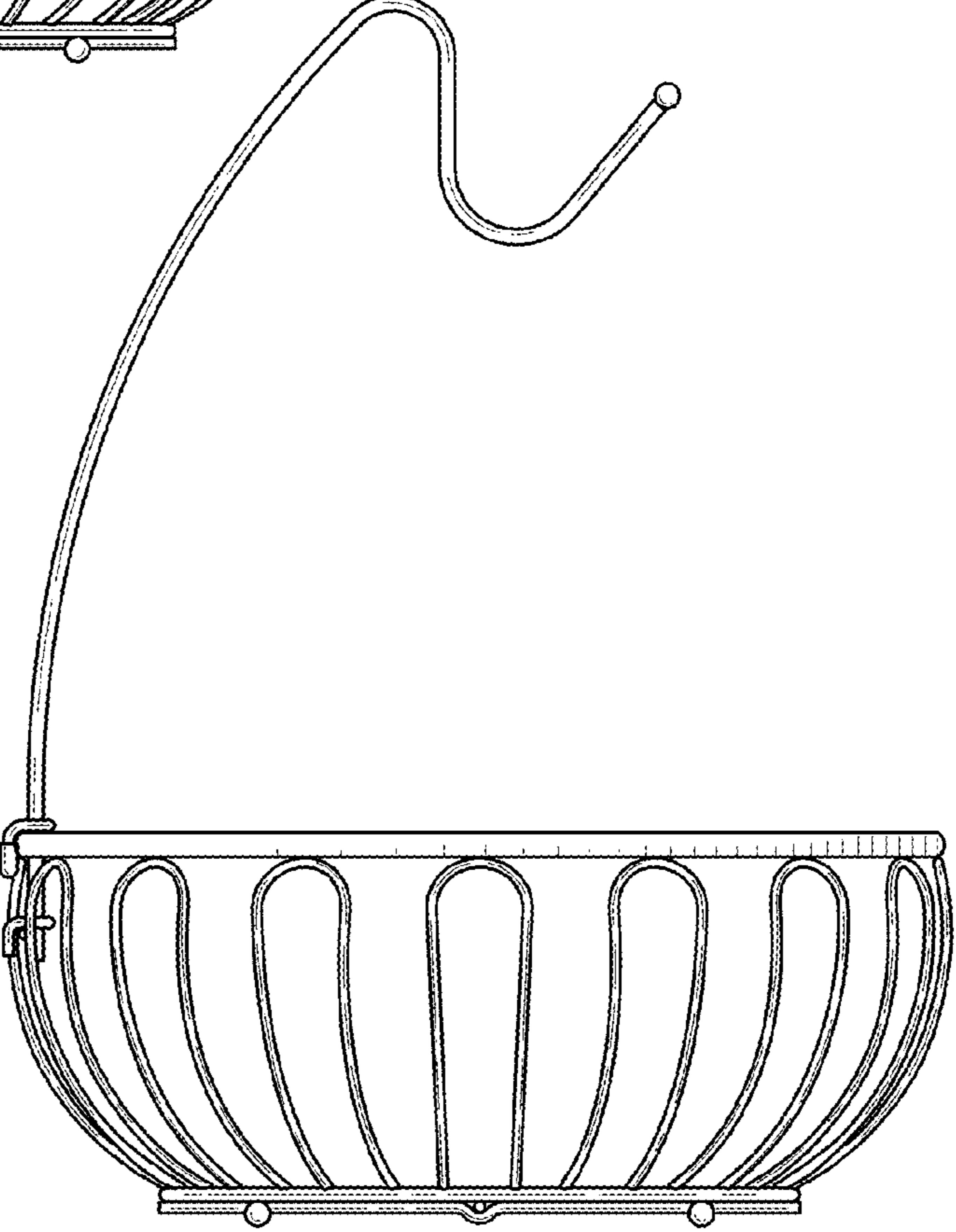


FIG. 3

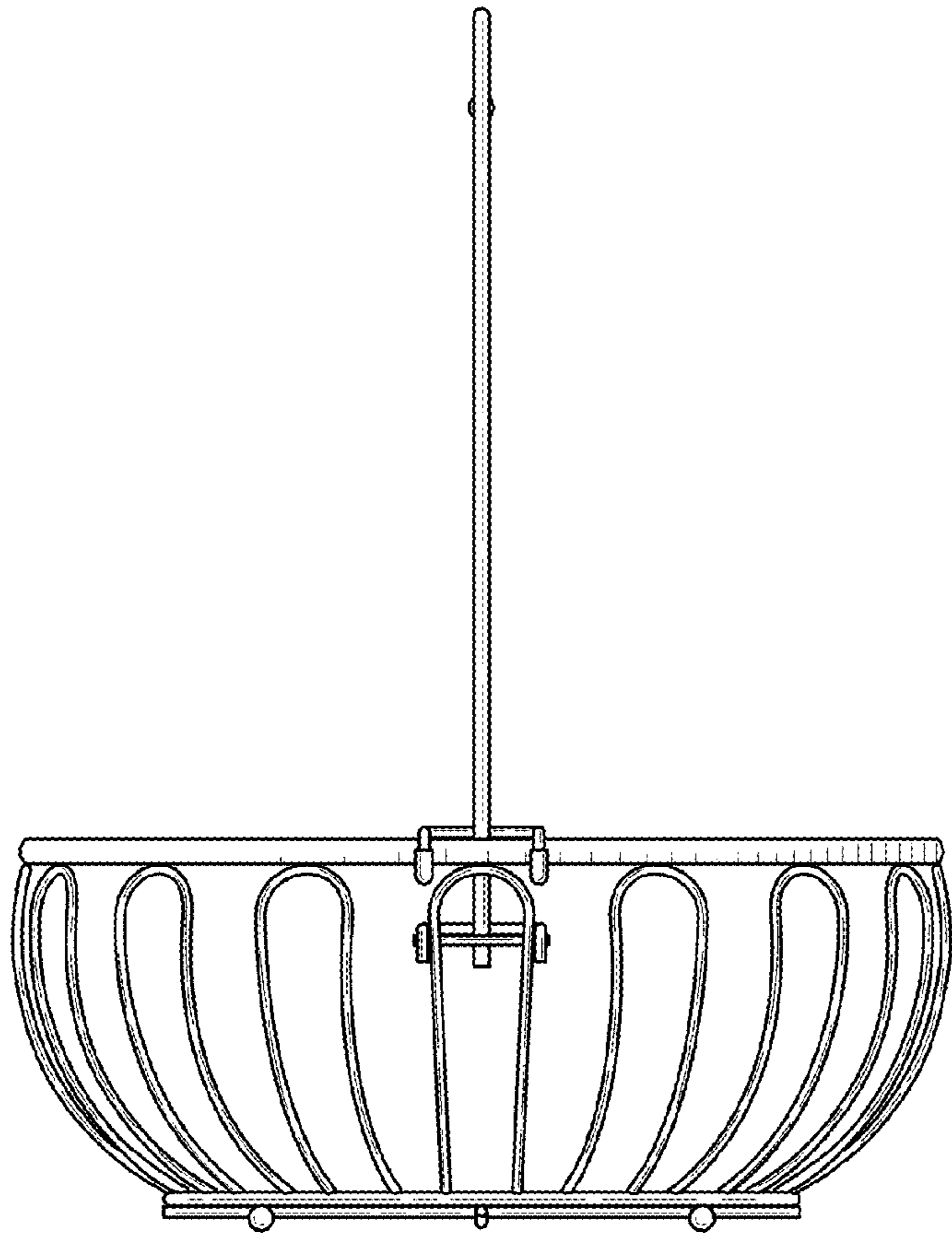


FIG. 4

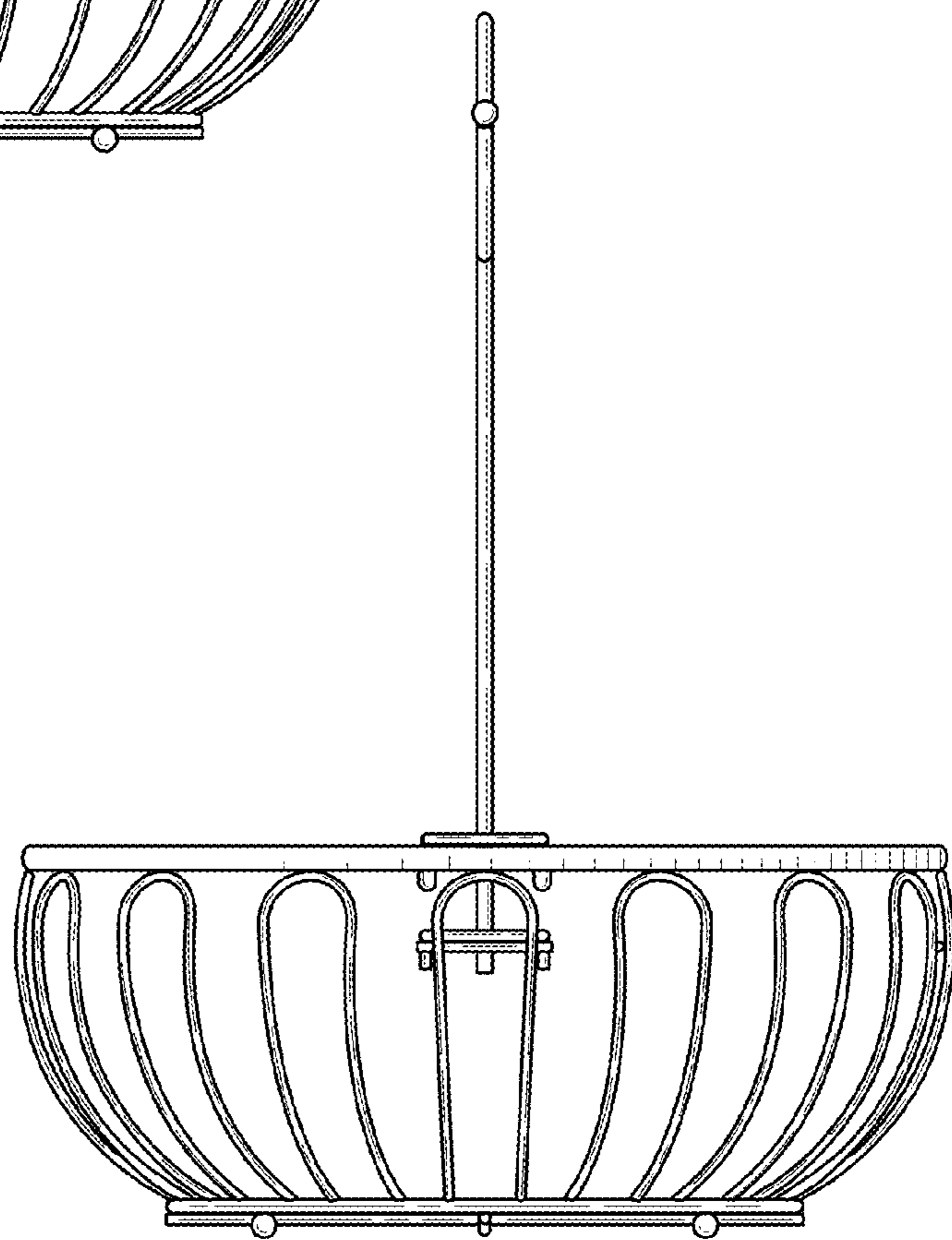


FIG. 5

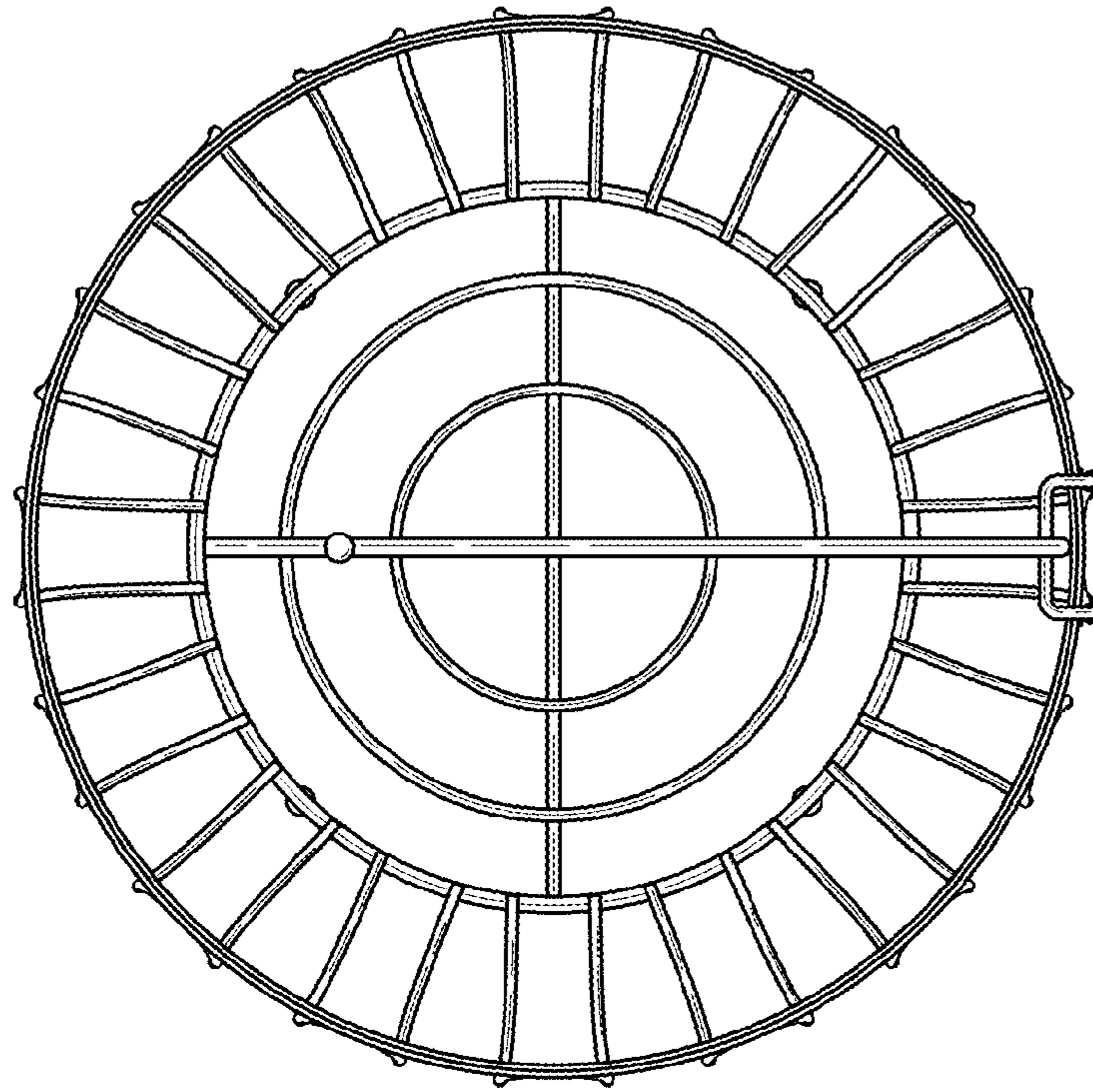


FIG. 6

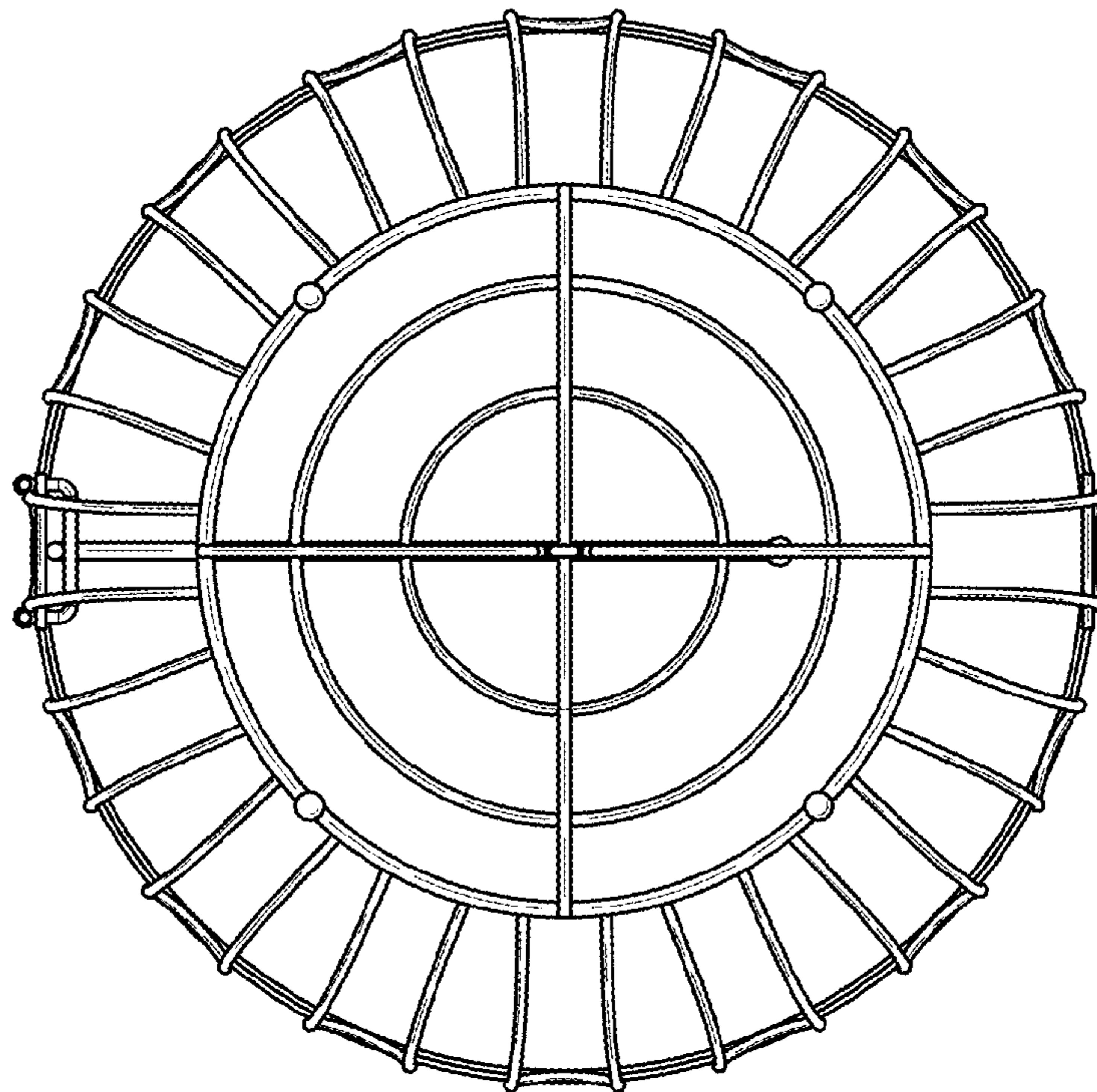


FIG. 7