



US00D767342S

(12) **United States Design Patent** (10) **Patent No.:** **US D767,342 S**
Alyas (45) **Date of Patent:** **** Sep. 27, 2016**

(54) **DUAL CHAMBERED CONDIMENT DISPENSING BOTTLE**

(71) Applicant: **Abdulkahar Alyas**, Pittsburgh, PA (US)

(72) Inventor: **Abdulkahar Alyas**, Pittsburgh, PA (US)

(**) Term: **14 Years**

(21) Appl. No.: **29/495,974**

(22) Filed: **Jul. 8, 2014**

(51) **LOC (10) Cl.** **07-06**

(52) **U.S. Cl.**
USPC **D7/590**

(58) **Field of Classification Search**
USPC D7/590-599; D9/643, 542, 503, 741,
D9/524, 440, 447, 449, 500; 215/6;
222/95, 132, 144.5, 145.1, 129, 482;
220/23.4, 253, 525, 526
CPC ... B65D 23/0885; B65D 1/04; A47G 19/183
See application file for complete search history.

(56) **References Cited**

U.S. PATENT DOCUMENTS

D259,920 S * 7/1981 Honeos D9/500
D291,411 S * 8/1987 Crawford D9/440
4,823,946 A 4/1989 Stoefflet et al.
D323,108 S 1/1992 Green

5,588,550 A * 12/1996 Meyer B65D 47/265
222/144.5
5,765,725 A * 6/1998 Matt B65D 35/22
222/129
D404,972 S 2/1999 Rodgers
5,921,440 A 7/1999 Maines
D517,866 S * 3/2006 Burks D7/590
7,036,684 B1 * 5/2006 Hantman B29C 49/0078
215/6
D528,006 S * 9/2006 Walther D9/542
7,258,251 B2 8/2007 Johnson
D560,414 S * 1/2008 Kaptein D7/598
D566,576 S 4/2008 Thompson

* cited by examiner

Primary Examiner — Terry Wallace

(57) **CLAIM**

I claim the ornamental design for the dual chambered condiment dispensing bottle, as shown and described.

DESCRIPTION

FIG. 1 is a front view of the dual chambered condiment dispensing bottle.

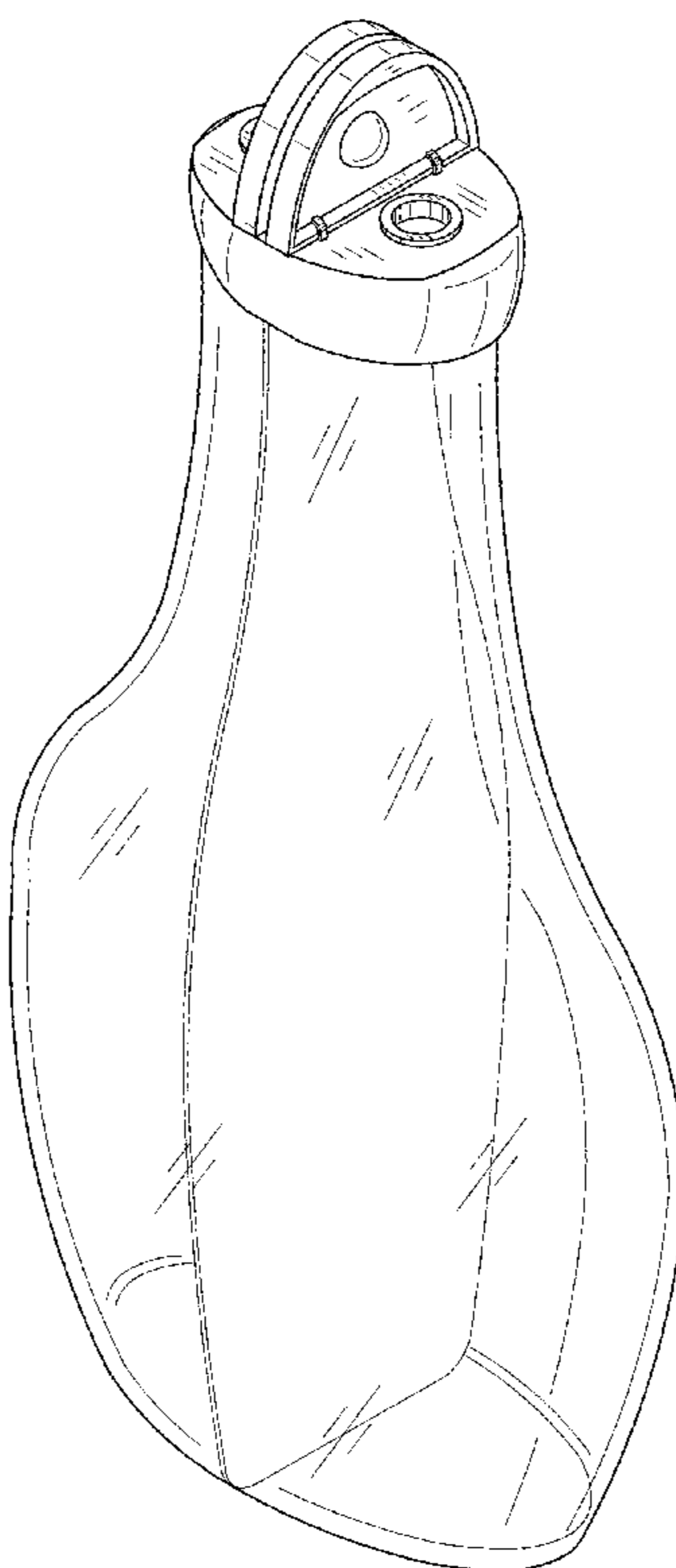
FIG. 2 is a left side view of the claimed design.

FIG. 3 is a top view of the claimed design.

FIG. 4 is a bottom view of the claimed design; and,

FIG. 5 is a perspective view of the claimed design.

1 Claim, 4 Drawing Sheets



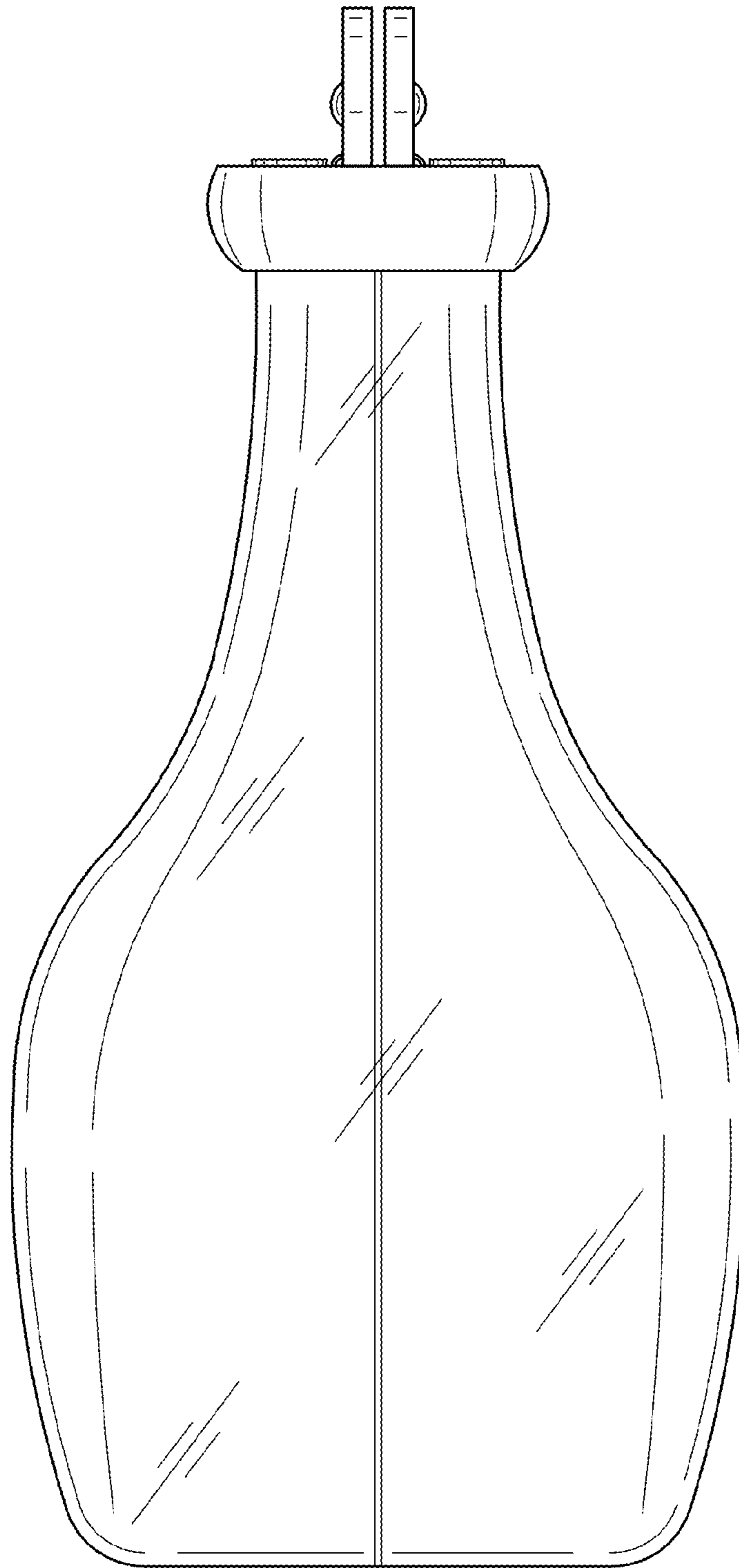


FIG. 1

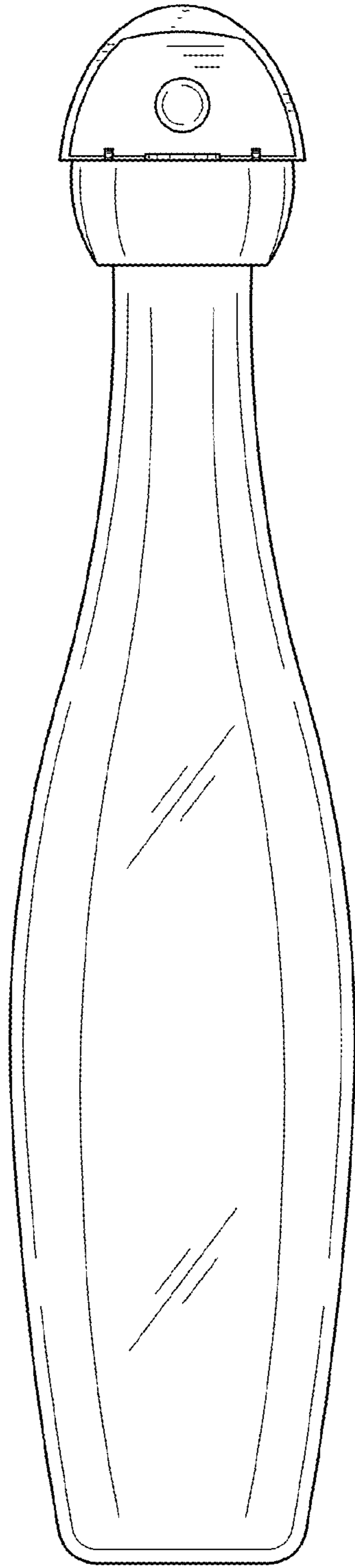


FIG. 2

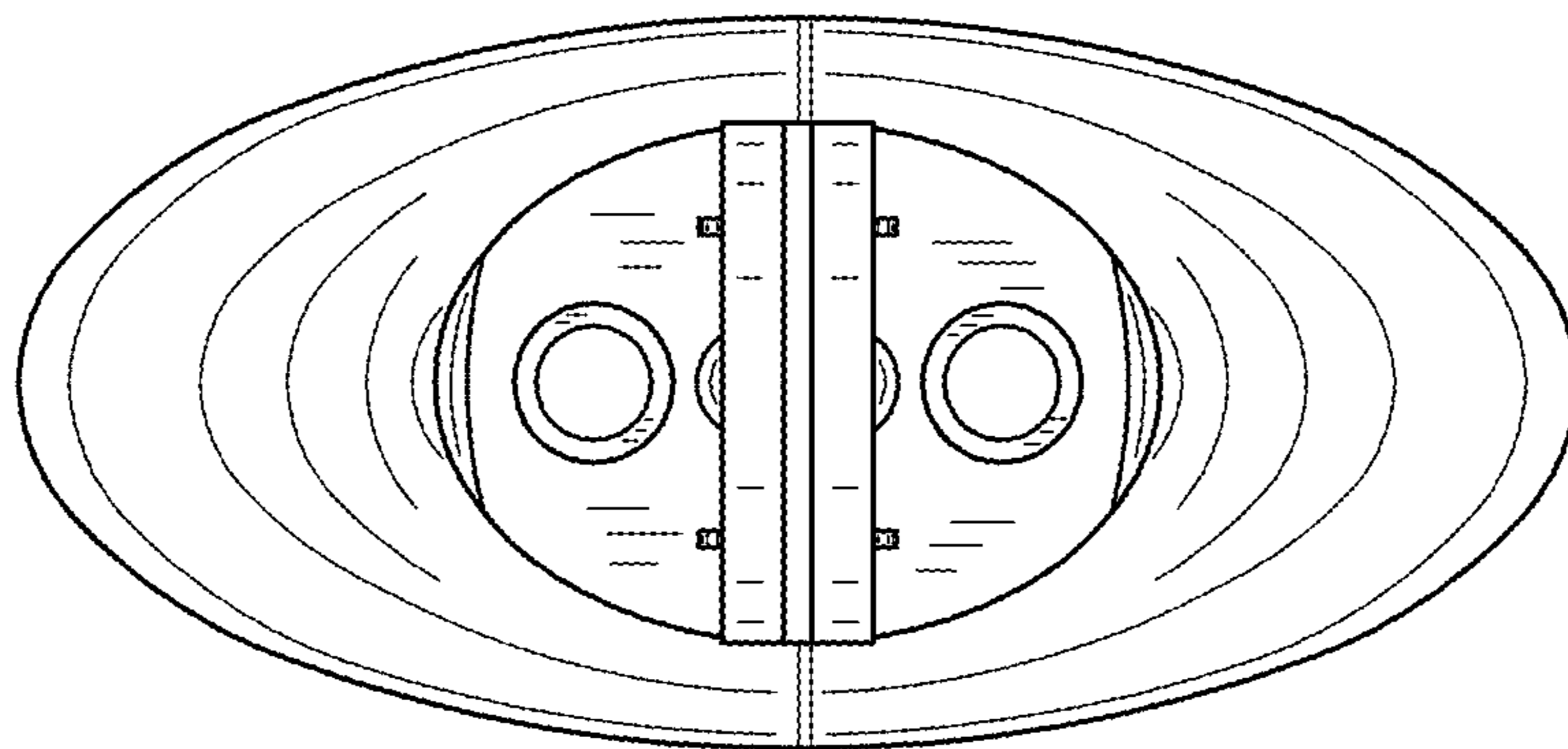


FIG. 3

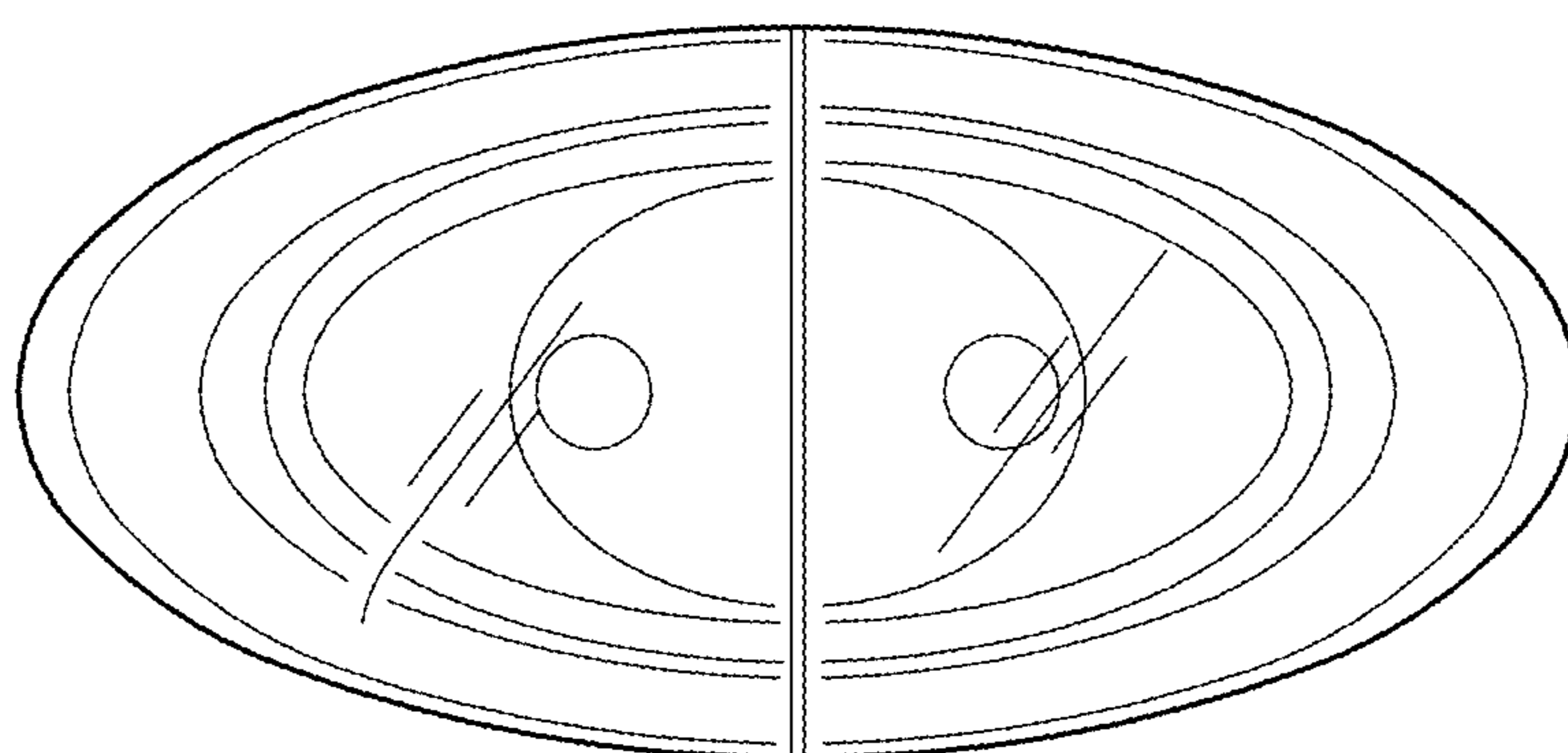


FIG. 4



FIG. 5