

US00D767341S

(12) **United States Design Patent** (10) **Patent No.:** **US D767,341 S**
Koempel et al. (45) **Date of Patent:** **** Sep. 27, 2016**

(54) **TRAY**

(71) Applicant: **Target Brands, Inc.**, Minneapolis, MN (US)

(72) Inventors: **Florian Kaspar Koempel**, St. Paul, MN (US); **Andrew Peter Michels**, St. Paul, MN (US)

(73) Assignee: **Target Brands, Inc.**, Minneapolis, MN (US)

(**) Term: **14 Years**

(21) Appl. No.: **29/521,217**

(22) Filed: **Mar. 20, 2015**

(51) **LOC (10) Cl.** **07-01**

(52) **U.S. Cl.**
USPC **D7/554.3**

(58) **Field of Classification Search**
USPC D7/550.1, 552.2, 553.2, 553.5, 554.3, D7/601-602, 397, 401.1; D9/415, 418, D9/759-761; D28/61, 73
CPC B65D 1/243; B65D 2501/24019; B65D 2501/24165; B65D 11/18; B65D 85/30
See application file for complete search history.

5,931,019 A * 8/1999 White A01K 97/04 220/23.89

D421,548 S * 3/2000 Cornelissen D7/545

D470,712 S * 2/2003 Swinford D7/360

D493,256 S * 7/2004 Kim D24/230

6,938,790 B2 9/2005 Hughes

7,290,558 B2 11/2007 DeChard et al.

D567,022 S * 4/2008 Spangrud D7/409

D572,513 S * 7/2008 McCammon D6/705

D600,502 S * 9/2009 Paslawski D7/548

D601,654 S * 10/2009 Sykes D22/136

7,845,114 B2 12/2010 Kirtz et al.

D631,937 S * 2/2011 Sykes D22/136

8,087,527 B2 1/2012 Johnson

D689,327 S * 9/2013 Ortegon D7/354

8,684,222 B2 4/2014 Tesink et al.

D755,564 S * 5/2016 Lee D7/409

D758,798 S * 6/2016 Hunt D7/352

2003/0141300 A1 7/2003 French

* cited by examiner

Primary Examiner — Kelley Donnelly
 (74) *Attorney, Agent, or Firm* — Leanne Taveggia Farrell; Westman, Champlin & Koehler, P.A.

(57) **CLAIM**
 The ornamental design for a tray, as shown and described.

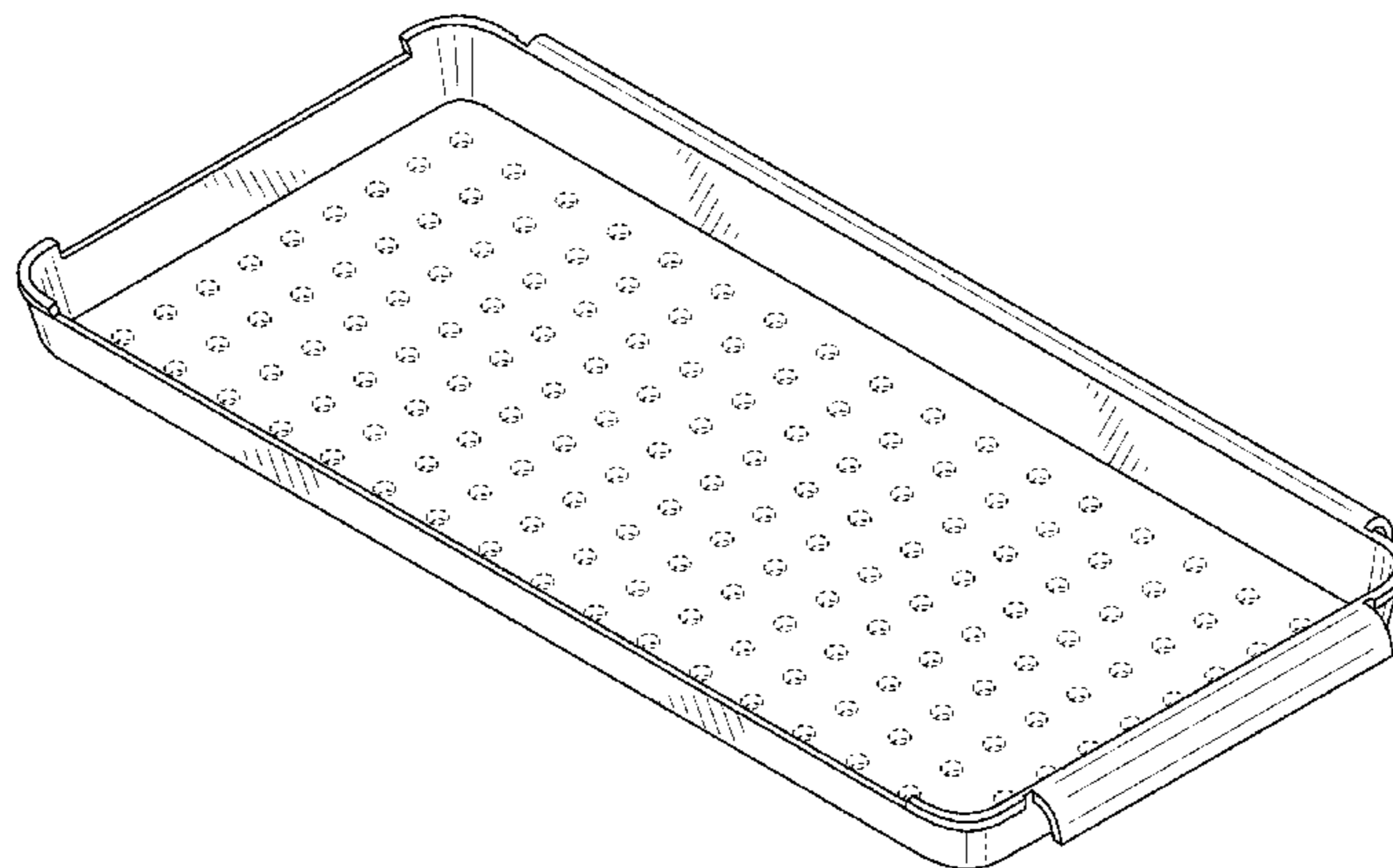
DESCRIPTION

FIG. 1 is a perspective view of a tray showing our new design;
 FIG. 2 is a right side view thereof;
 FIG. 3 is a left side view thereof;
 FIG. 4 is a front view thereof;
 FIG. 5 is a back view thereof;
 FIG. 6 is a top view thereof; and,
 FIG. 7 is a bottom view thereof.
 The broken lines showing is included for the purpose of illustrating environment and forms no part of the claimed design.

1 Claim, 5 Drawing Sheets

(56) **References Cited**
 U.S. PATENT DOCUMENTS

| | | |
|-------------|---------|------------------------|
| 1,588,271 A | 6/1926 | Saint et al. |
| 2,064,518 A | 12/1936 | Brogden |
| 3,343,706 A | 9/1967 | Berend |
| 3,734,309 A | 5/1973 | Bateman |
| 3,811,566 A | 5/1974 | Bateman |
| 3,811,595 A | 5/1974 | Eckdahl et al. |
| 3,857,482 A | 12/1974 | Shelton |
| 3,908,828 A | 9/1975 | Lohwasser |
| 4,069,941 A | 1/1978 | Popplewell, Jr. et al. |
| 4,484,661 A | 11/1984 | Evenson |
| 5,758,771 A | 6/1998 | Rose |



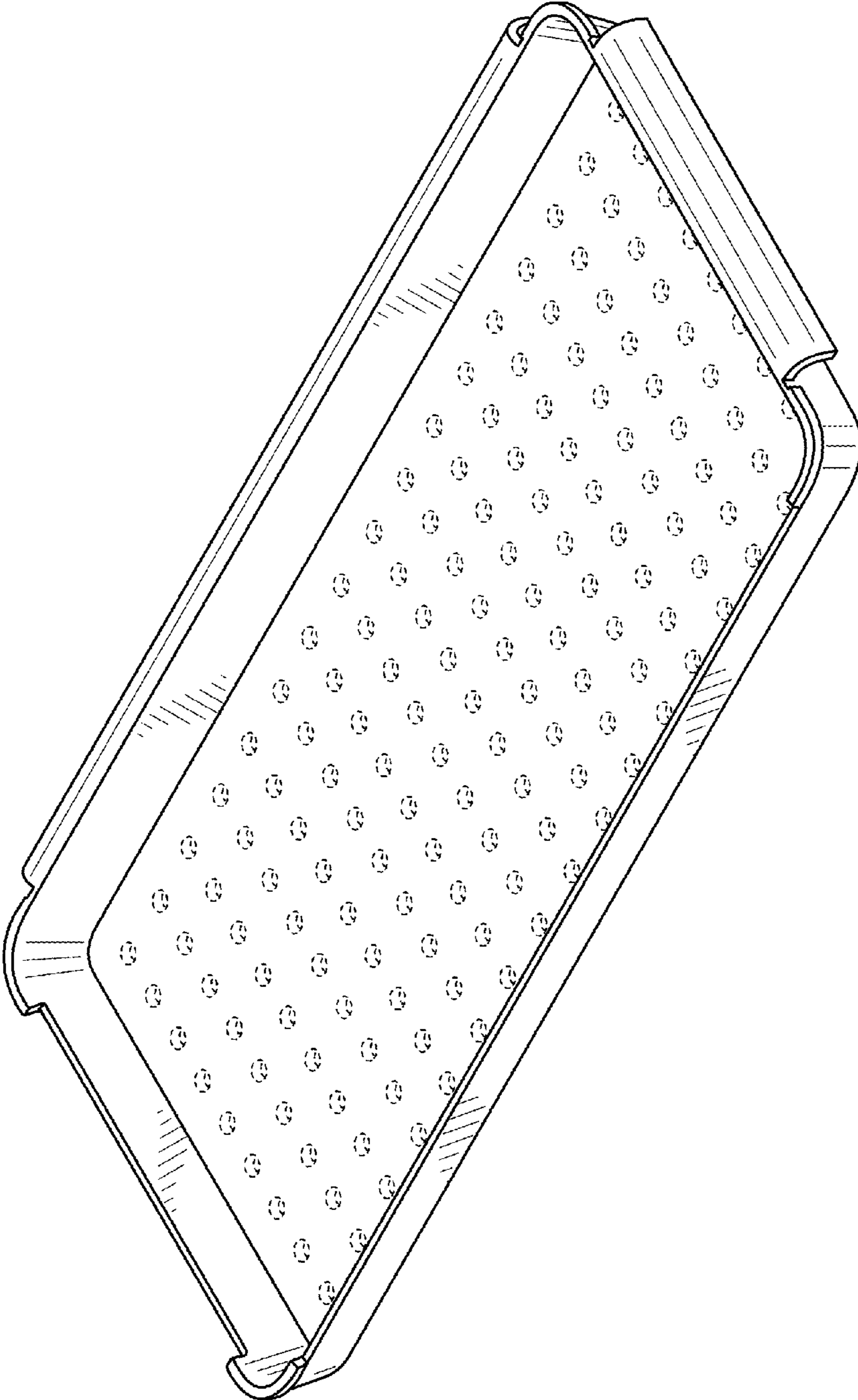


FIG. 1

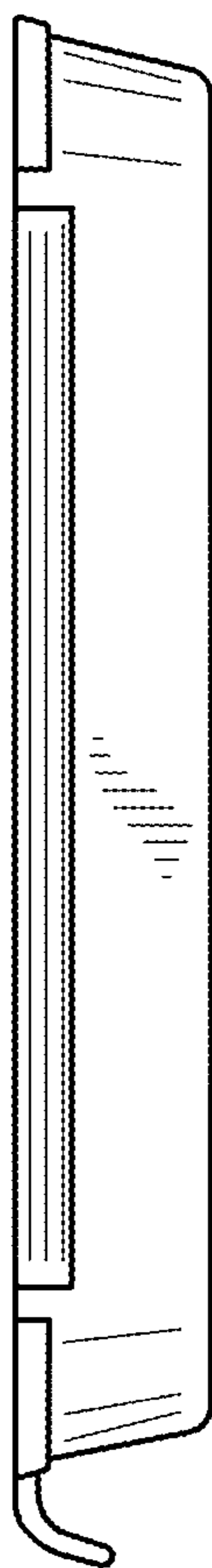


FIG. 2



FIG. 3

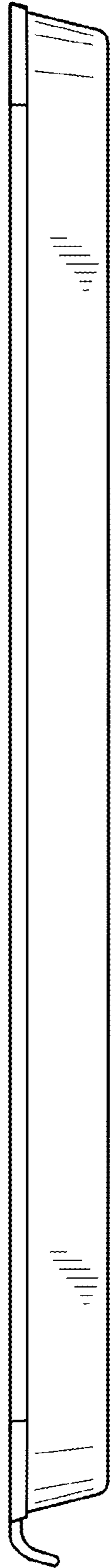


FIG. 4

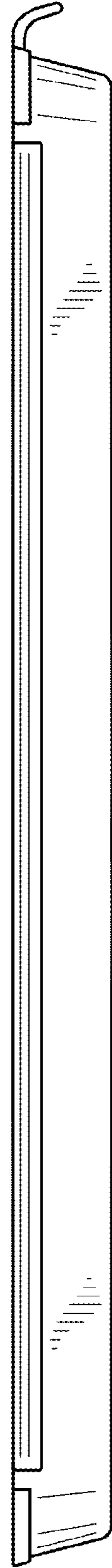


FIG. 5

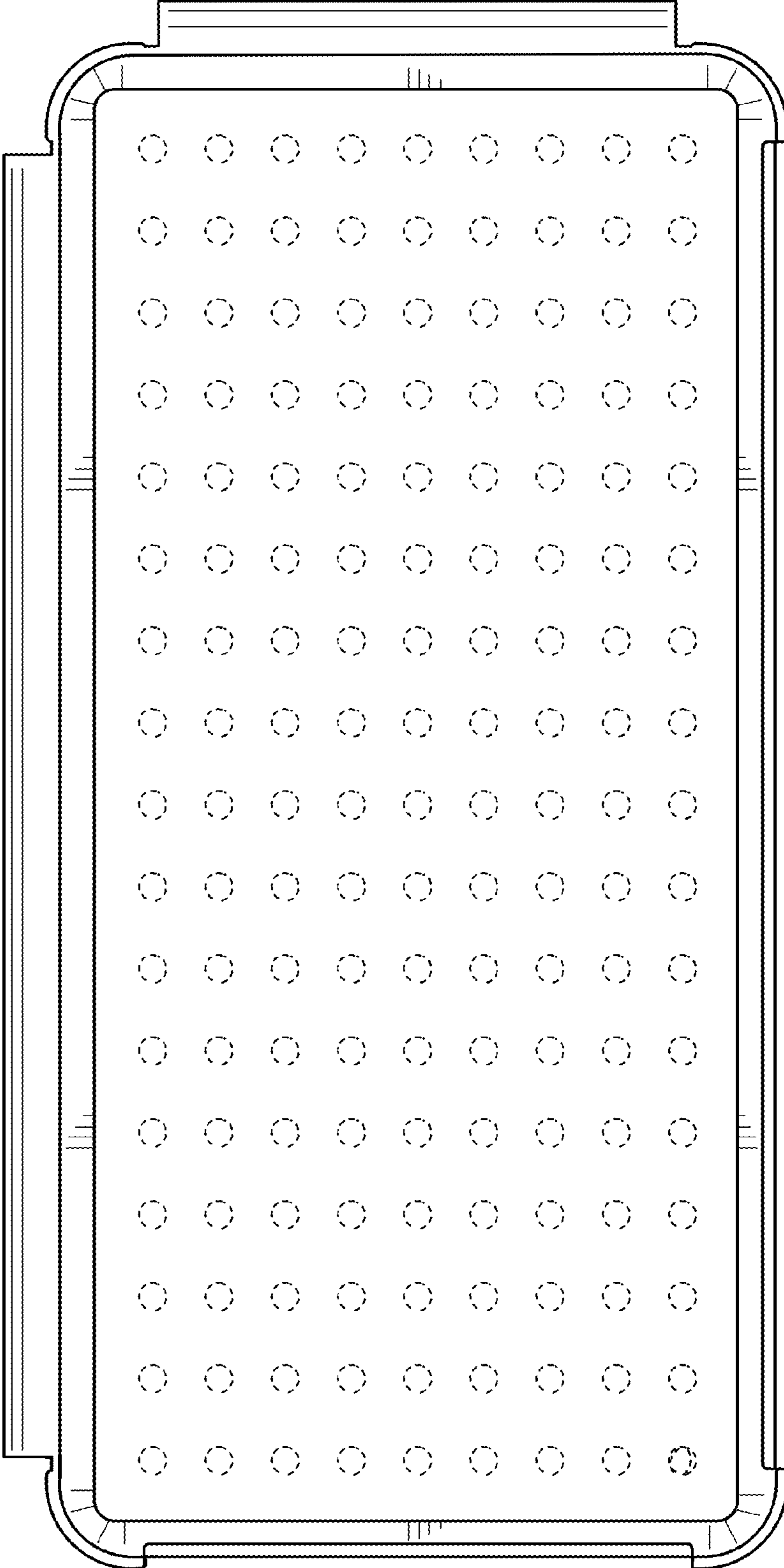


FIG. 6

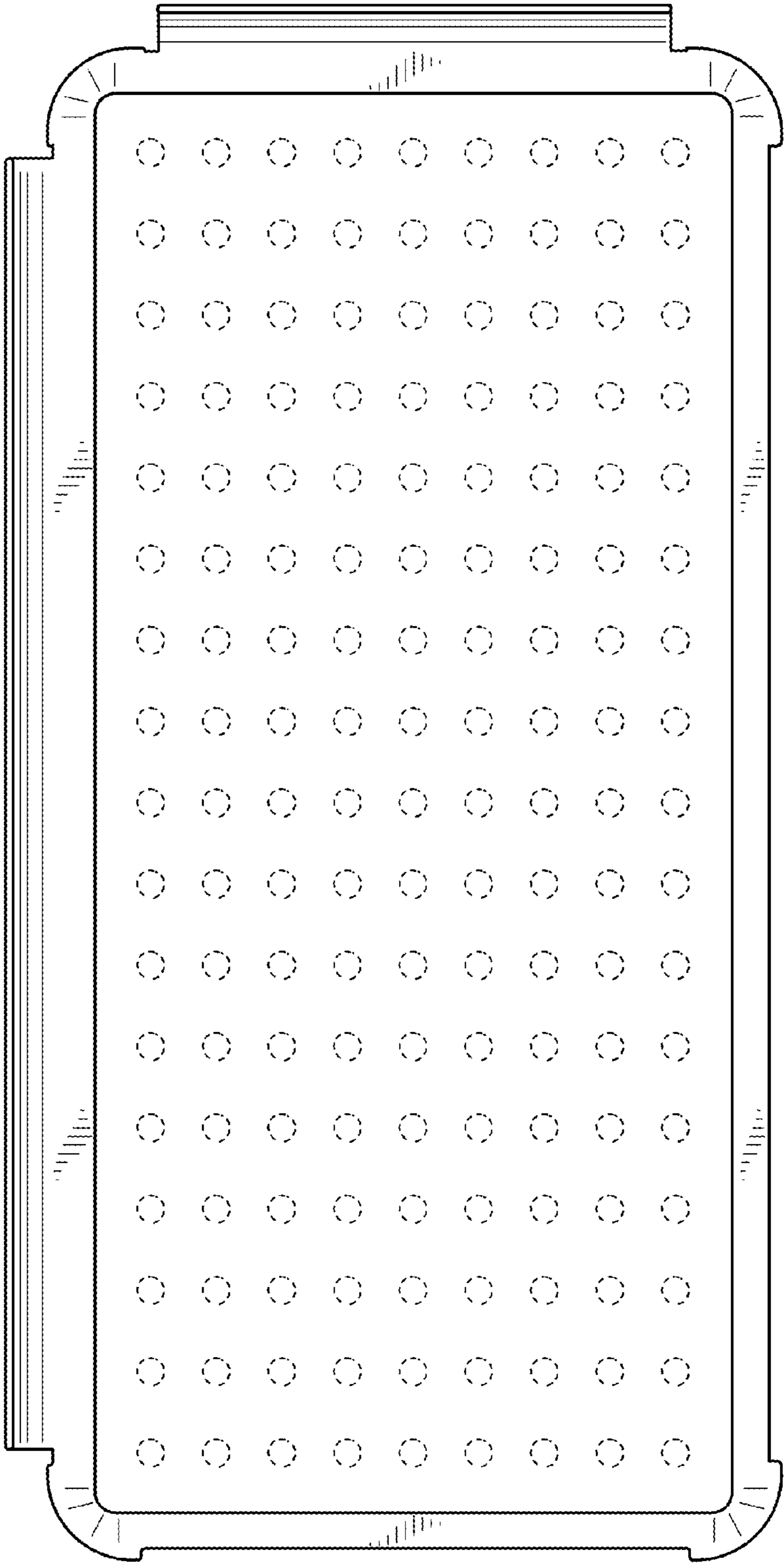


FIG. 7