



US00D767338S

(12) **United States Design Patent** (10) **Patent No.:** **US D767,338 S**
Jones (45) **Date of Patent:** **** Sep. 27, 2016**

(54) **DRINK BOTTLE**
(71) Applicant: **GoBUBL Limited**, London (GB)
(72) Inventor: **Darren Jones**, London (GB)
(73) Assignee: **Gobubl Limited**, London (GB)
(**) Term: **14 Years**
(21) Appl. No.: **29/513,256**
(22) Filed: **Dec. 29, 2014**
(30) **Foreign Application Priority Data**
Jun. 30, 2014 (EM) 001415962-0001
(51) **LOC (10) Cl.** **07-01**
(52) **U.S. Cl.**
USPC **D7/511; D7/510; D7/608**
(58) **Field of Classification Search**
USPC D7/509, 510, 511, 523, 532, 543, 505,
D7/300.1, 607, 708, 619.1, 396.1, 396.2,
D7/399, 387, 608; D9/503, 504, 520, 546,
D9/572, 573, 574, 414, 432, 450, 524;
D24/232, 216, 207, 206, 218, 224, 227,
D24/229; D28/82, 76, 73, 83, 85;
220/592.16, 592.17, 700, 703, 377;
D3/202, 302
CPC A47G 19/22; A47G 19/2205; A47G
19/2255; A47G 19/2288; B65D 1/265;
B65D 43/02; B65D 3/08
See application file for complete search history.

3,371,807 A * 3/1968 Clouser A47J 41/02
215/10
D267,629 S * 1/1983 Hasegawa D9/504
D342,679 S * 12/1993 O'Neill D28/91.1
D349,047 S * 7/1994 Buchet D9/503
D386,413 S * 11/1997 Fitten D9/502
D431,969 S * 10/2000 Hurlbut D7/608
D434,611 S * 12/2000 Yu D7/608
D449,493 S * 10/2001 Tardif D7/608
D454,281 S * 3/2002 Tardif D7/608
D459,158 S * 6/2002 Tardif D7/608
D459,637 S * 7/2002 Tardif D7/608
D473,460 S * 4/2003 Whitworth D9/504
D482,570 S * 11/2003 Henderson D7/300.1
D494,022 S * 8/2004 Bodum D7/300.1
D505,591 S * 5/2005 Bodum D7/300.1
D517,243 S * 3/2006 Martinez D28/76
D546,124 S * 7/2007 Tien D7/510
D566,469 S * 4/2008 Tien D7/509
D610,906 S * 3/2010 Simmons D9/504
D615,866 S * 5/2010 Lepoitevin D9/504
D631,356 S * 1/2011 Barsoumian D9/500
D642,472 S * 8/2011 Concin D7/511
D650,674 S * 12/2011 Baek D9/504
D654,363 S * 2/2012 Baek D9/504
D697,807 S * 1/2014 Servaire D28/76
D728,297 S * 5/2015 Melzer D7/300.1

* cited by examiner

Primary Examiner — Marianne Pandozzi
Assistant Examiner — Jae Liang
(74) *Attorney, Agent, or Firm* — Fenwick & West LLP

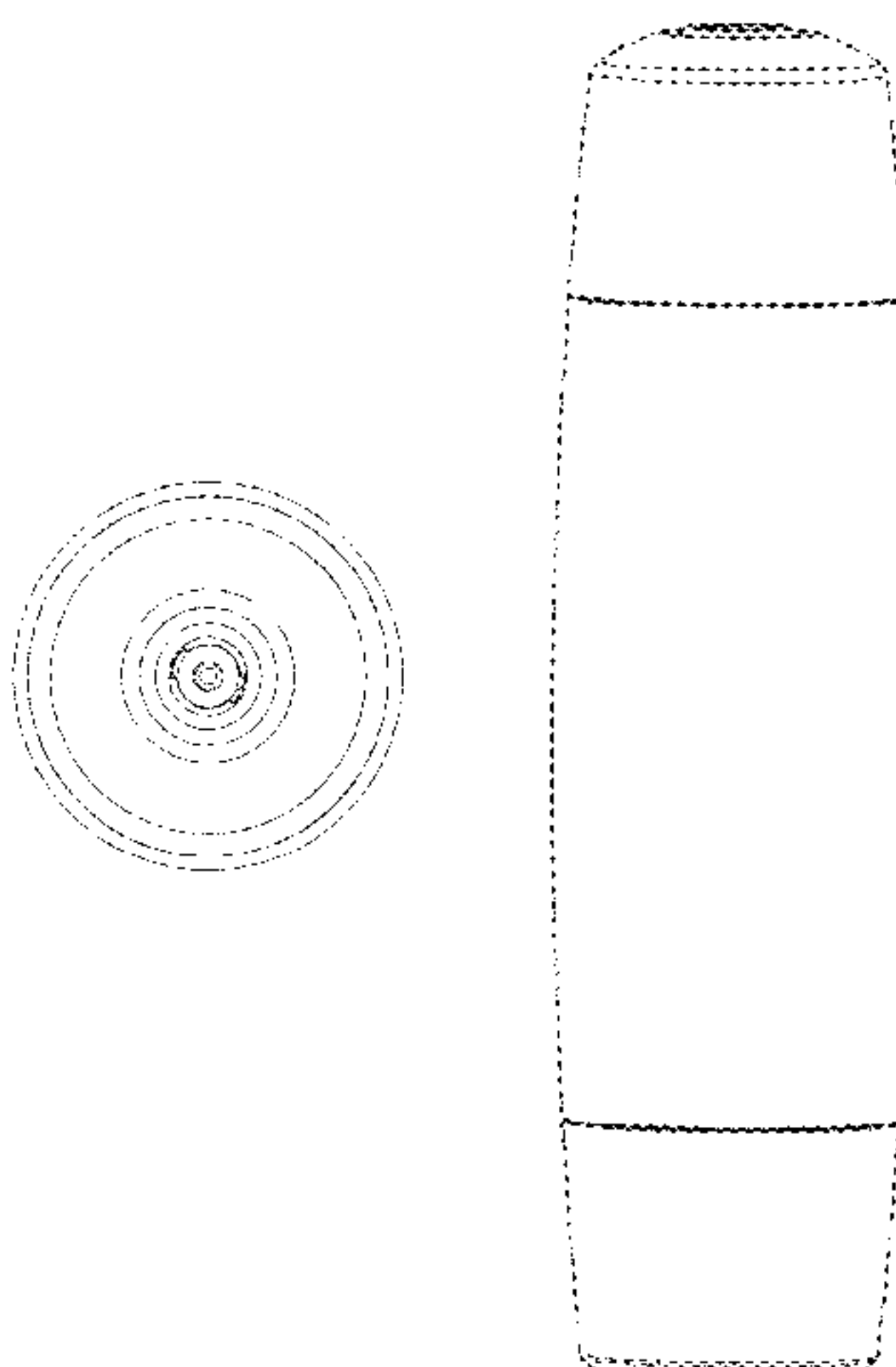
(57) **CLAIM**
The ornamental design for a drink bottle, as shown and described.

(56) **References Cited**
U.S. PATENT DOCUMENTS
1,749,565 A * 3/1930 Coryell A45D 34/06
132/318
D93,437 S * 10/1934 Ball D7/608
2,462,461 A * 2/1949 Bird A47J 41/02
206/543
2,889,065 A * 6/1959 Lawlor A45D 34/02
215/12.1

DESCRIPTION

FIG. 1 is a top view of a drink bottle showing my new design;
FIG. 2 is a bottom view thereof;
FIG. 3 is a front view thereof; and,
FIG. 4 is a top front perspective view thereof.

1 Claim, 2 Drawing Sheets



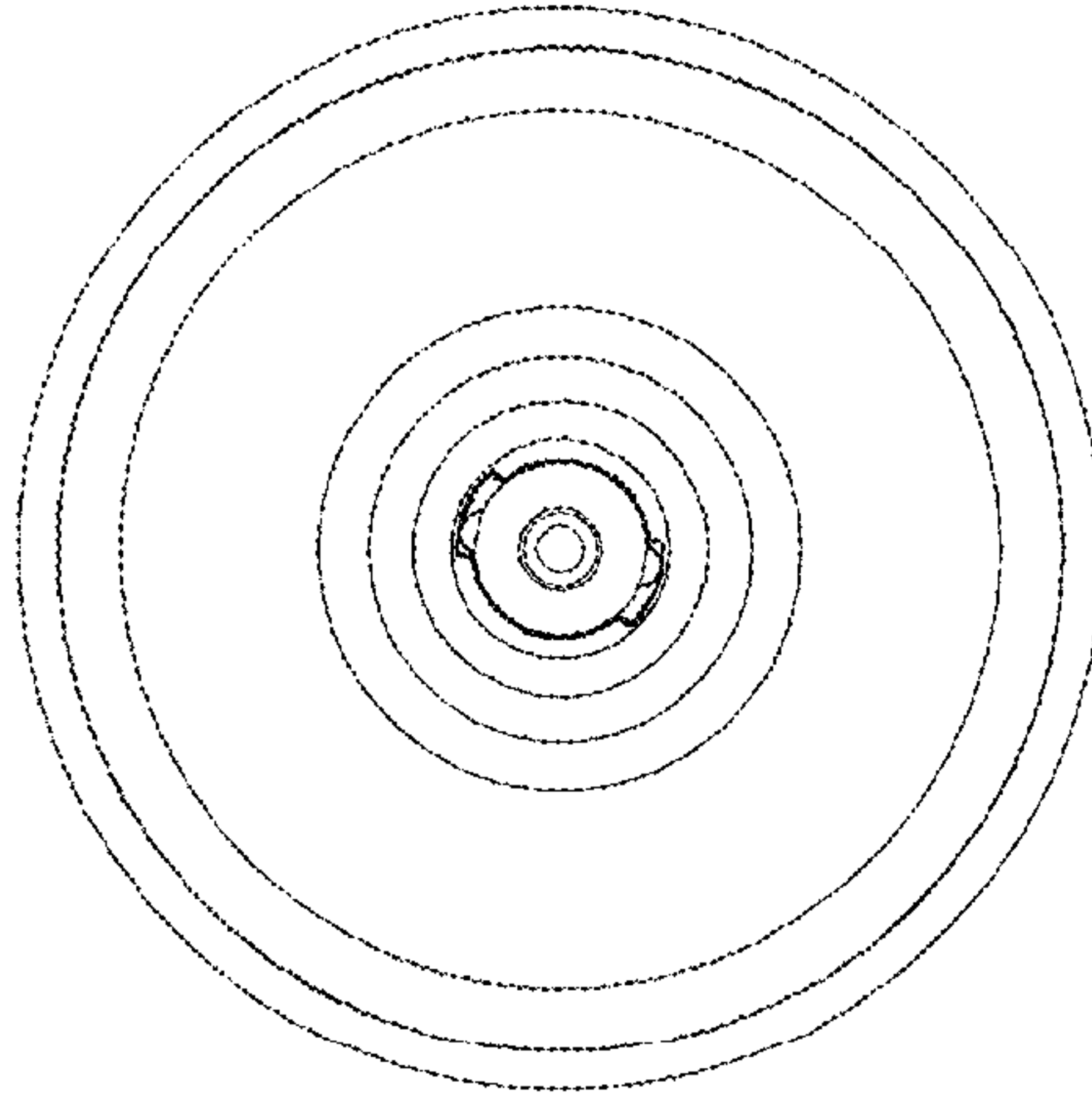


FIG. 1

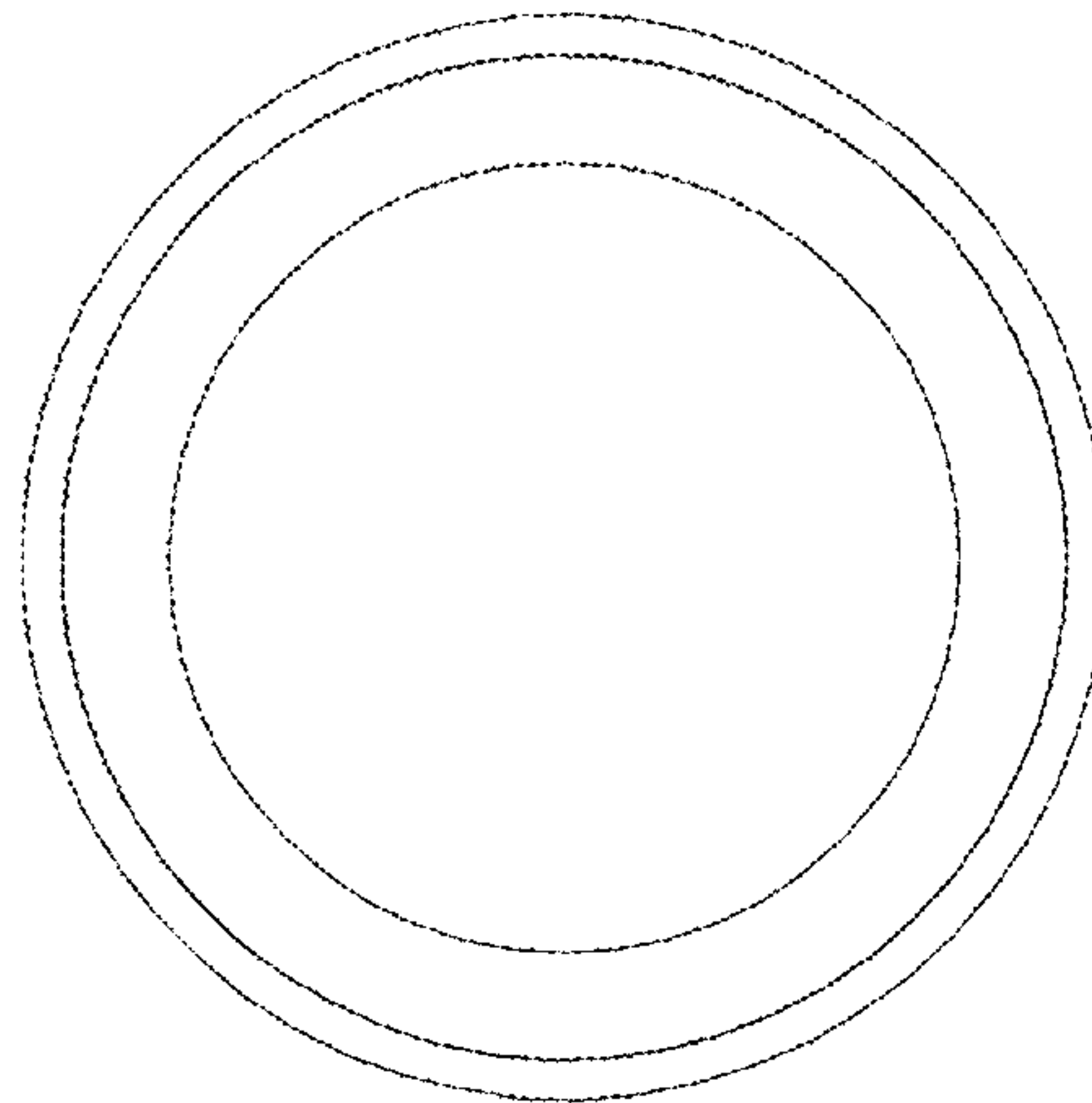


FIG. 2



FIG. 3



FIG. 4