



US00D767337S

(12) **United States Design Patent**
Boroski et al.

(10) **Patent No.:** **US D767,337 S**

(45) **Date of Patent:** **** Sep. 27, 2016**

(54) **LID AND BOTTLE COMBINATION**

(71) Applicants: **Dwayne Boroski**, Lake in the Hills, IL (US); **Marvin Lane**, Wheeling, IL (US)

(72) Inventors: **Dwayne Boroski**, Lake in the Hills, IL (US); **Marvin Lane**, Wheeling, IL (US)

(73) Assignee: **THERMOS L.L.C.**, Schaumburg, IL (US)

(**) Term: **14 Years**

(21) Appl. No.: **29/523,300**

(22) Filed: **Apr. 8, 2015**

(51) **LOC (10) Cl.** **07-01**

(52) **U.S. Cl.**
USPC **D7/510; D7/511; D7/536**

(58) **Field of Classification Search**
USPC D7/507, 509, 510, 511, 523, 529, 530, D7/531, 532, 533, 536, 607, 608, 391, D7/392.1, 396.1, 396.2, 560, 629; D9/435, D9/436, 440, 443, 445, 447, 448, 454, 449, D9/450, 516, 517, 530, 551, 552, 564, 565, D9/500, 503, 537, 550, 553, 563, 504, D9/566; 215/381, 382, 383, 384, 396, 398, 215/400; 222/211, 212, 213; 220/771; D24/197

CPC ... A45F 3/16; B65D 47/066; B65D 41/0414; B65D 43/02; B65D 47/08; B65D 51/18; B65D 41/62; A47G 19/2266

See application file for complete search history.

(56) **References Cited**

U.S. PATENT DOCUMENTS

5,273,172 A * 12/1993 Rossbach B65D 47/2043 215/229
D422,113 S * 3/2000 Higgins D27/186
D496,733 S * 9/2004 Morano D24/197

D504,049 S * 4/2005 Morano D7/510
D519,380 S * 4/2006 Leoncavallo D7/511
D528,921 S * 9/2006 Leoncavallo D7/511
D529,340 S * 10/2006 Laib D7/523
D568,740 S * 5/2008 Williams D9/436
D620,798 S * 8/2010 Cresswell D9/443
D634,972 S * 3/2011 Staton D7/392.1
8,070,140 B2 * 12/2011 Bandawat F24F 6/14 222/383.1
D665,621 S * 8/2012 Eyal D7/392.1
8,336,724 B2 * 12/2012 Yamashita A47G 19/2266 215/309
D675,100 S * 1/2013 Herbst D7/511
D685,487 S * 7/2013 Lhomme D24/197
D688,093 S * 8/2013 Roth D7/392.1
D728,313 S * 5/2015 Bo D7/510
2005/0056614 A1 * 3/2005 Morano A47G 19/2272 215/396

(Continued)

Primary Examiner — Marianne Pandozzi

Assistant Examiner — Jae Liang

(74) *Attorney, Agent, or Firm* — Polsinelli PC

(57) **CLAIM**

The ornamental design for a lid and bottle combination, as shown and described.

DESCRIPTION

FIG. 1 is a top perspective view of a lid and bottle combination showing our new design;

FIG. 2 is a front view of the lid and bottle combination;

FIG. 3 is a rear view of the lid and bottle combination;

FIG. 4 is a right side view of the lid and bottle combination;

FIG. 5 is a left side view of the lid and bottle combination;

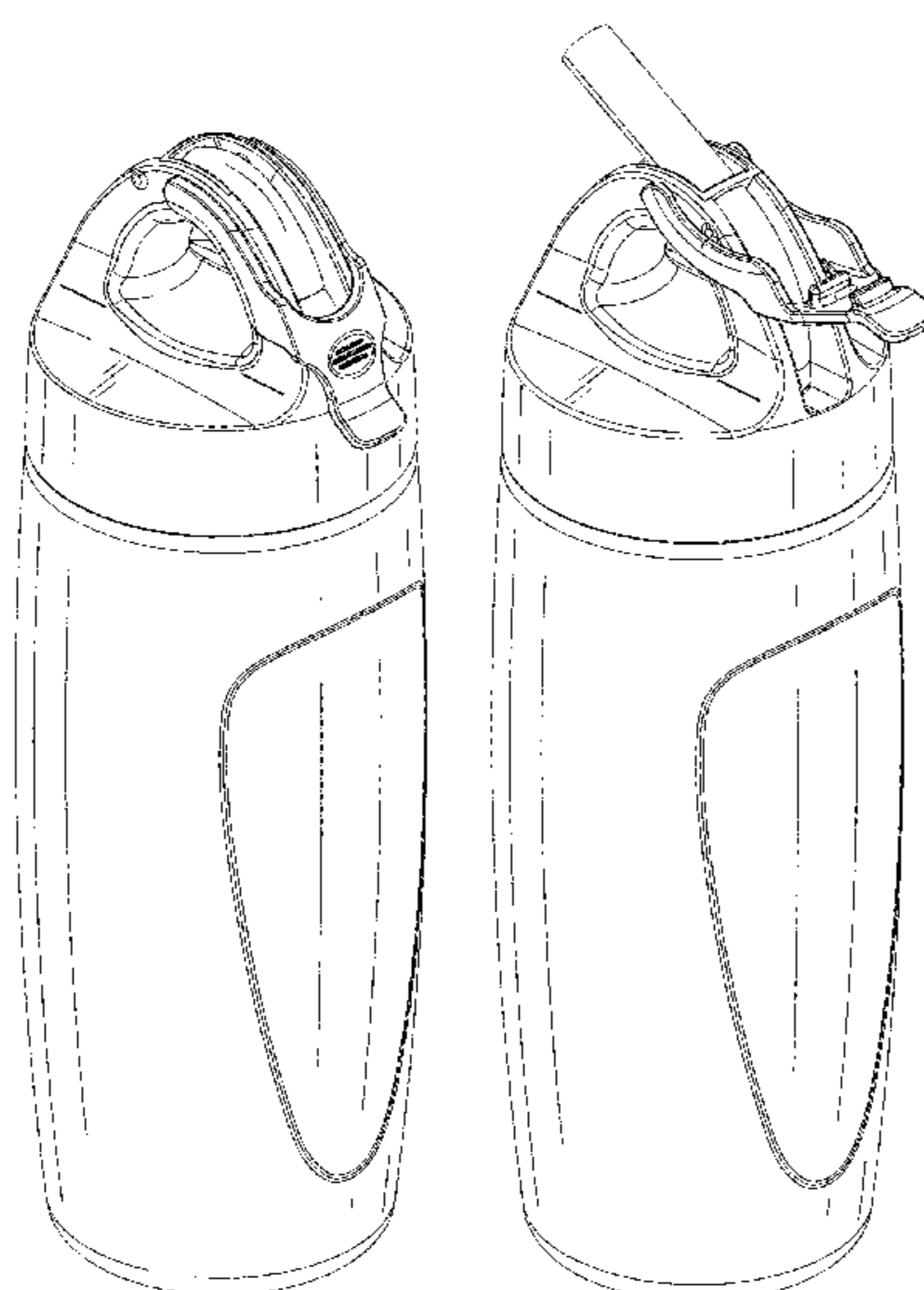
FIG. 6 is a top view of the lid and bottle combination;

FIG. 7 is a bottom view of the lid and bottle combination; and,

FIG. 8 is a top perspective view of the lid and bottle combination with the lid in its open position.

The broken lines in the drawing depict portions of the lid and bottle combination that form no part of the claimed design.

1 Claim, 5 Drawing Sheets



US D767,337 S

Page 2

(56)

References Cited

U.S. PATENT DOCUMENTS

2007/0000933 A1*	1/2007	Wang	B65D 77/28 220/709
2008/0237233 A1*	10/2008	Choi	B65D 47/065 220/212.5
2012/0160851 A1*	6/2012	Chiang	B65D 47/066 220/360
2013/0140316 A1*	6/2013	Flowers	A47G 19/2272 220/592.17

* cited by examiner

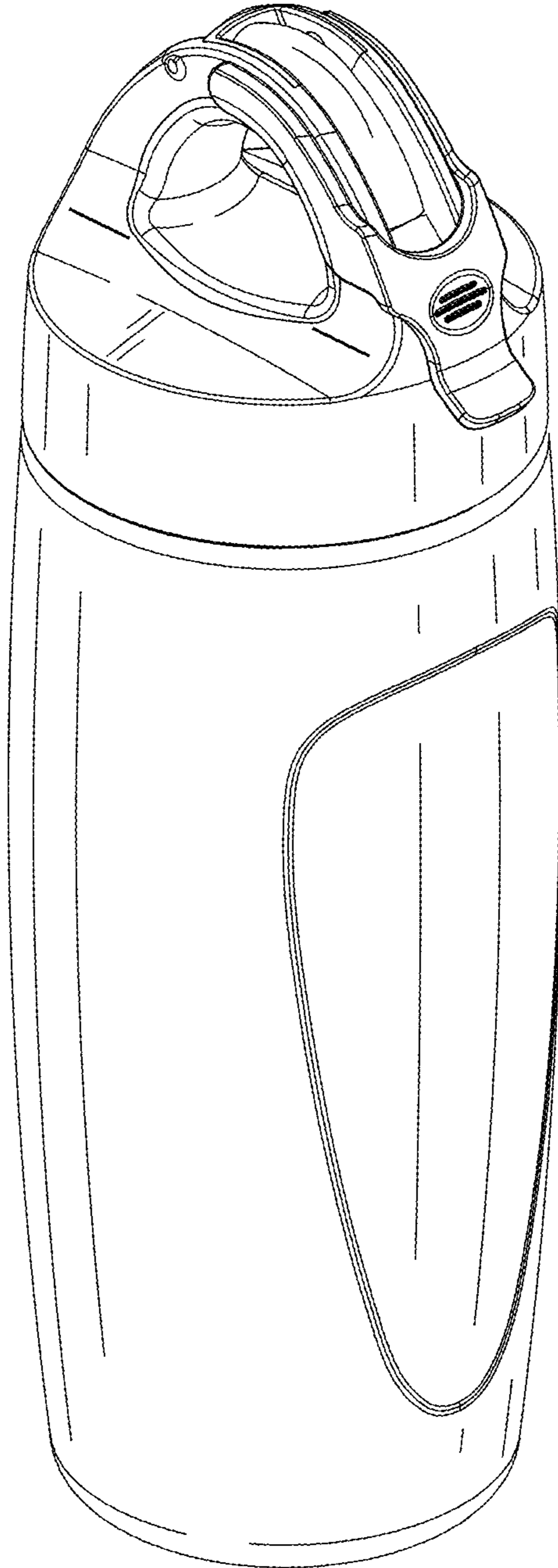


FIG. 1

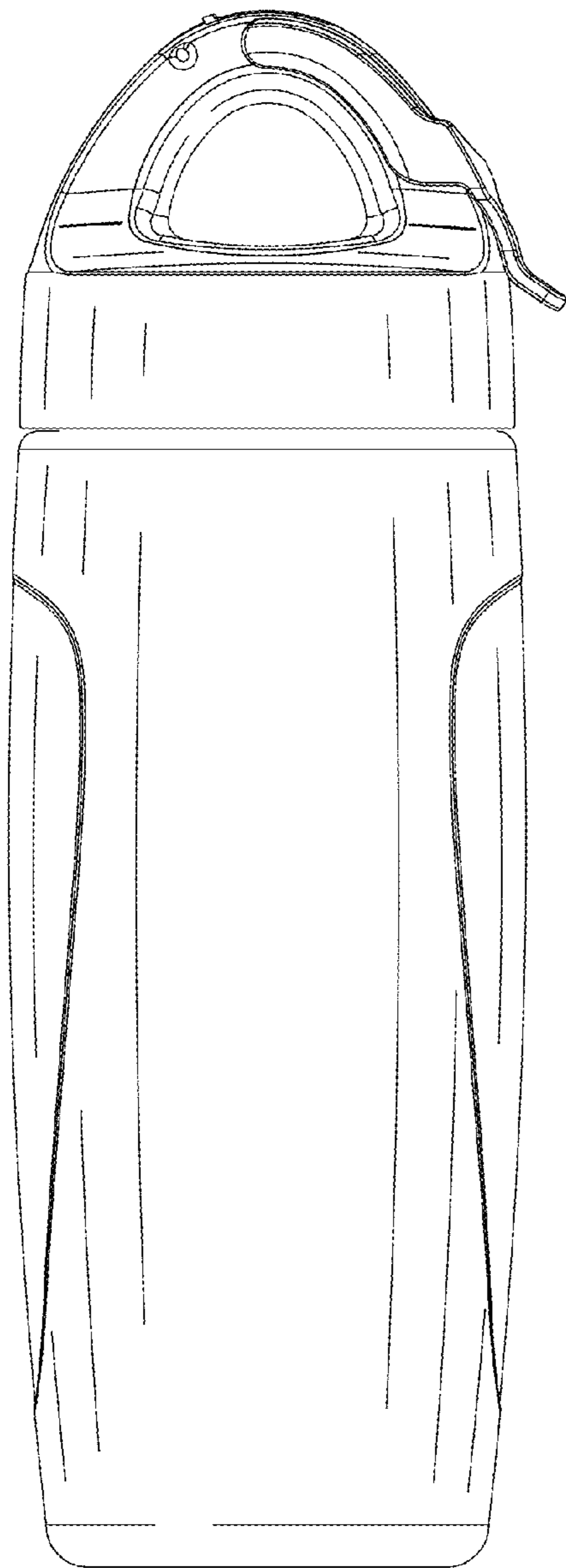


FIG. 2

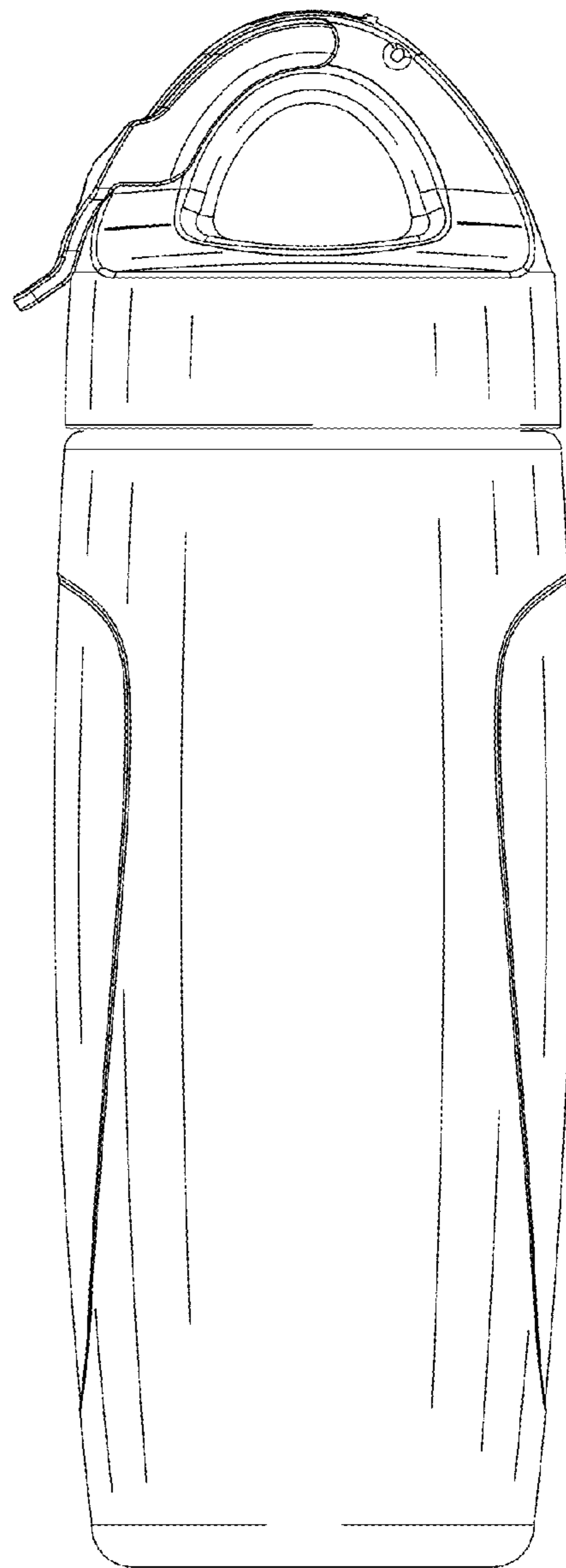


FIG. 3

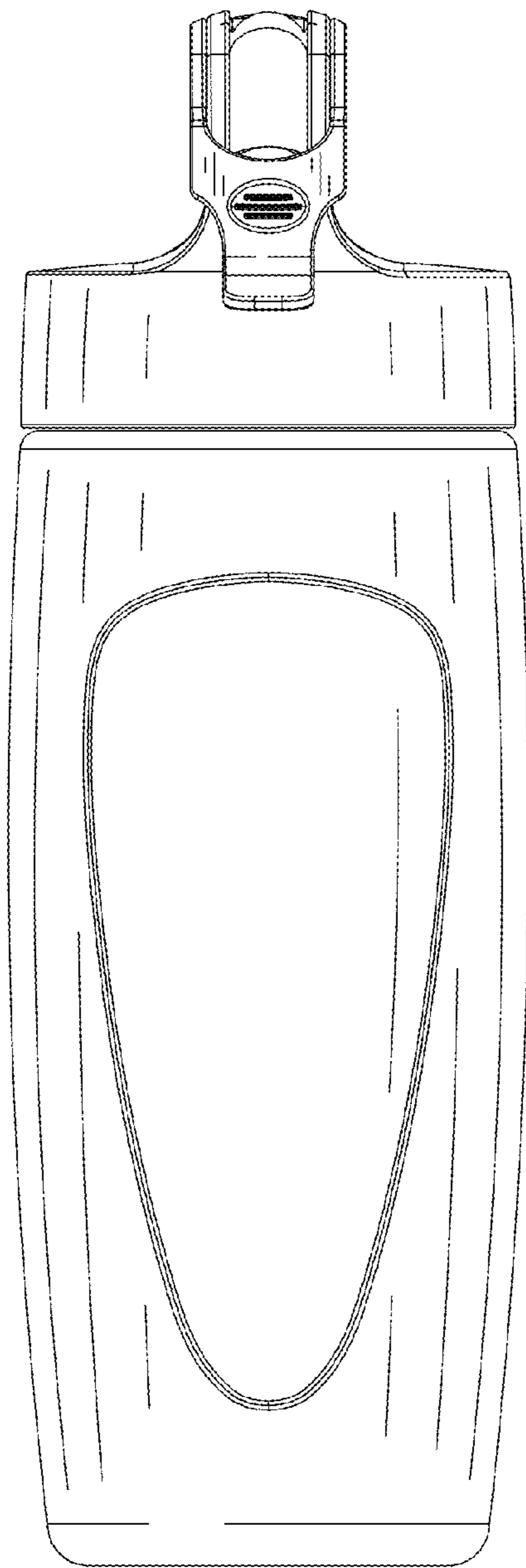


FIG. 4

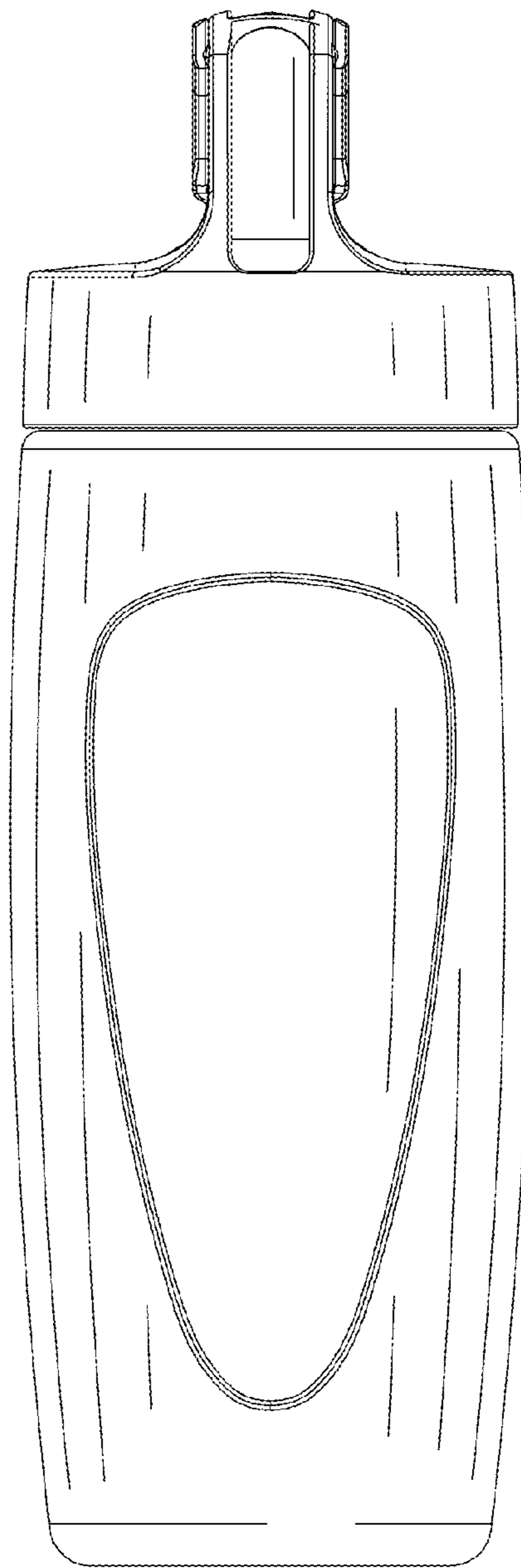


FIG. 5

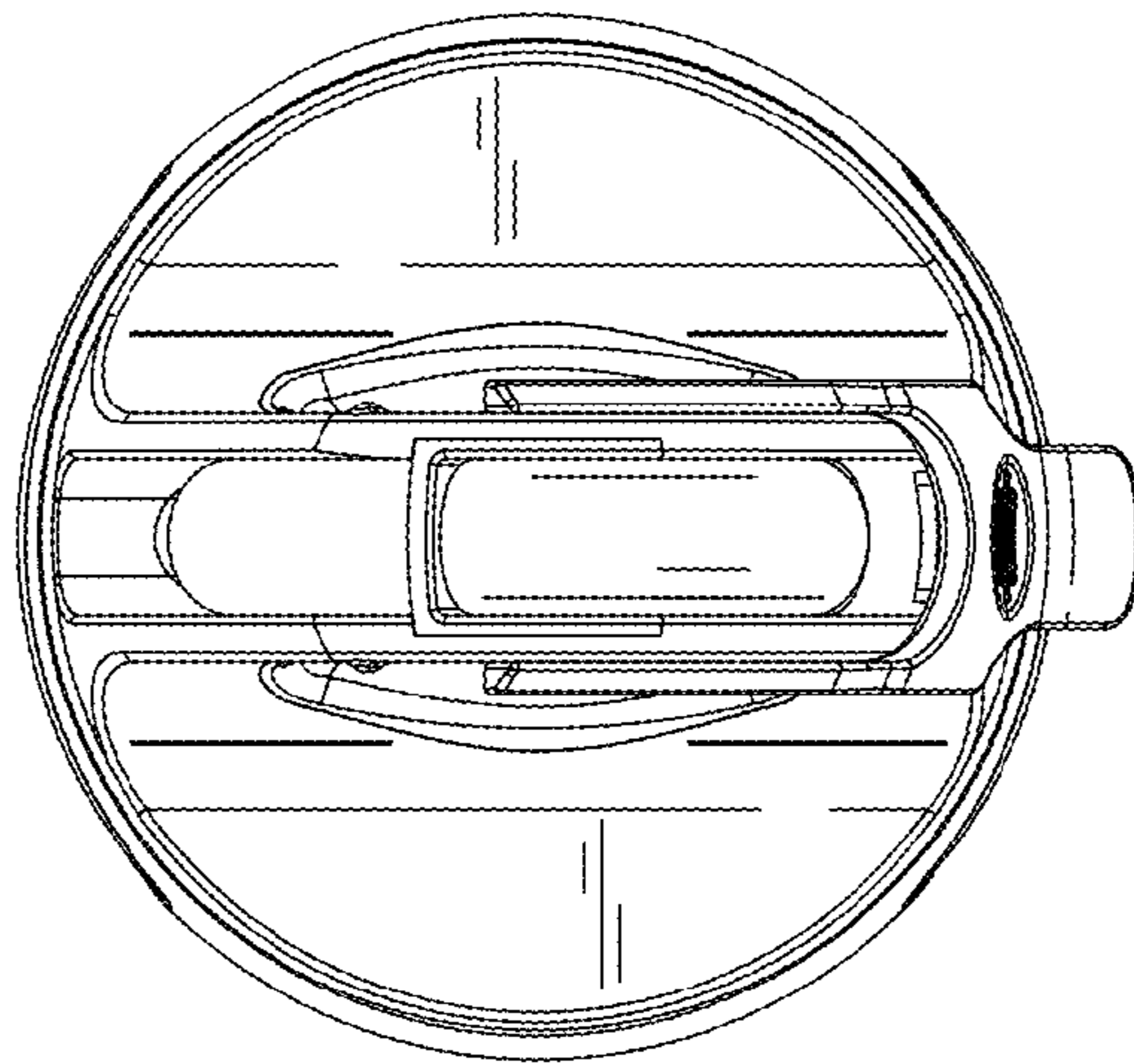


FIG. 6

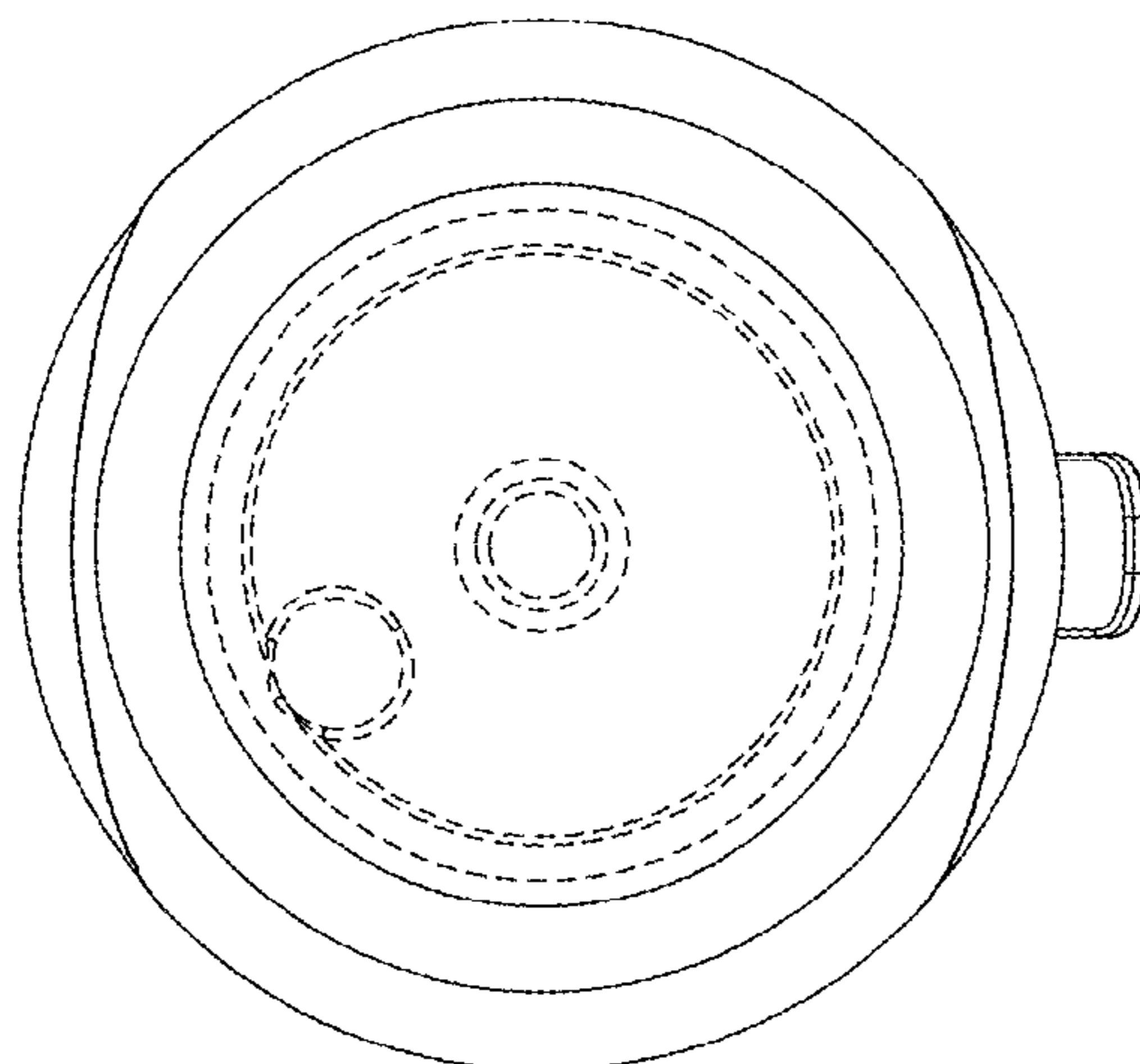


FIG. 7

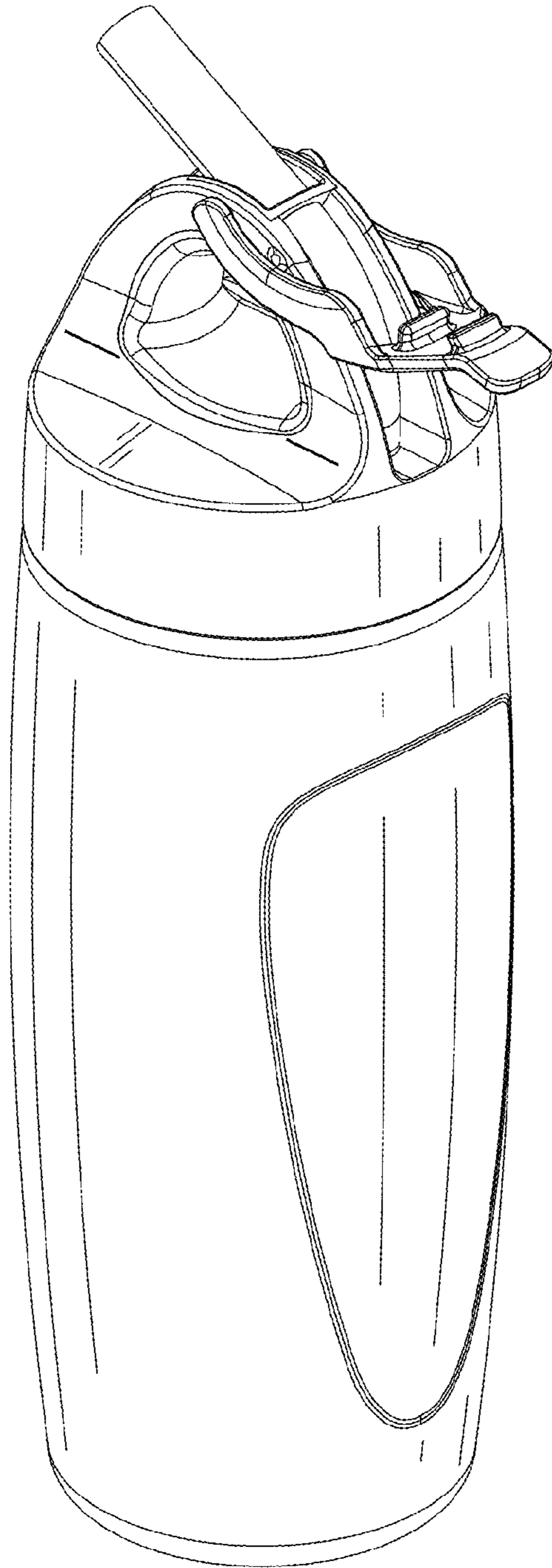


FIG. 8