



US00D767332S

(12) **United States Design Patent** (10) **Patent No.:** **US D767,332 S**
Strömmer et al. (45) **Date of Patent:** **** Sep. 27, 2016**

(54) **IMPELLER FOR MIXER**

(71) Applicant: **Outotec (Finland) Oy**, Espoo (FI)

(72) Inventors: **Ville Strömmer**, Helsinki (FI); **Markus Lehtonen**, Lepsämä (FI); **Tuomas Hirsi**, Helsinki (FI); **Marko Latva-Kokko**, Pori (FI)

(73) Assignee: **OUTOTEC (FINLAND) OY**, Espoo (FI)

(**) Term: **14 Years**

(21) Appl. No.: **29/526,089**

(22) Filed: **May 6, 2015**

(30) **Foreign Application Priority Data**

Nov. 6, 2014 (EM) 001425243

(51) **LOC (10) Cl.** **31-00**

(52) **U.S. Cl.**

USPC **D7/412**; D7/376; D7/378; D7/384

(58) **Field of Classification Search**

USPC D7/372, 376–386, 412–413, 602, 629, D7/665–666, 669, 679, 693–694; D15/21, D15/138; D24/220

CPC A21C 1/02; A21C 1/04; A23N 1/00; A23N 1/02; A47J 43/04; A47J 43/25; A47J 43/27; A47J 43/042; A47J 43/044; A47J 43/046; A47J 43/075; A47J 43/0722; A47J 43/0727; B01F 3/00; B01F 3/0478; B01F 3/04241; B01F 3/04531; B01F 3/04539; B01F 3/0807; B01F 3/0853; B01F 7/001; B01F 7/00341; B01F 7/00358; B01F 7/00475; B01F 7/00633; B01F 13/0059; B01F 13/0064; B02C 1/08; B02C 2/04; B02C 4/42; B02C 4/142; B02C 4/143; B02C 4/423; B02C 13/1835; B28C 5/10; B28C 5/12; B28C 5/14; B28C 5/16; F01P 5/02; F04D 29/384

See application file for complete search history.

(56) **References Cited**

U.S. PATENT DOCUMENTS

1,473,066 A * 11/1923 Wells F01P 5/02
416/235
2,238,749 A * 4/1941 Peltier F04D 29/384
415/119

(Continued)

FOREIGN PATENT DOCUMENTS

EM 001103311-001 3/2009

OTHER PUBLICATIONS

Strömmer et al., U.S. Appl. No. 29/526,089, entitled: “Impeller for Mixer”; filed May 6, 2015, pp. 9.

(Continued)

Primary Examiner — Ricky Pham

(74) *Attorney, Agent, or Firm* — Chernoff, Vilhauer, McClung & Stenzel, LLP

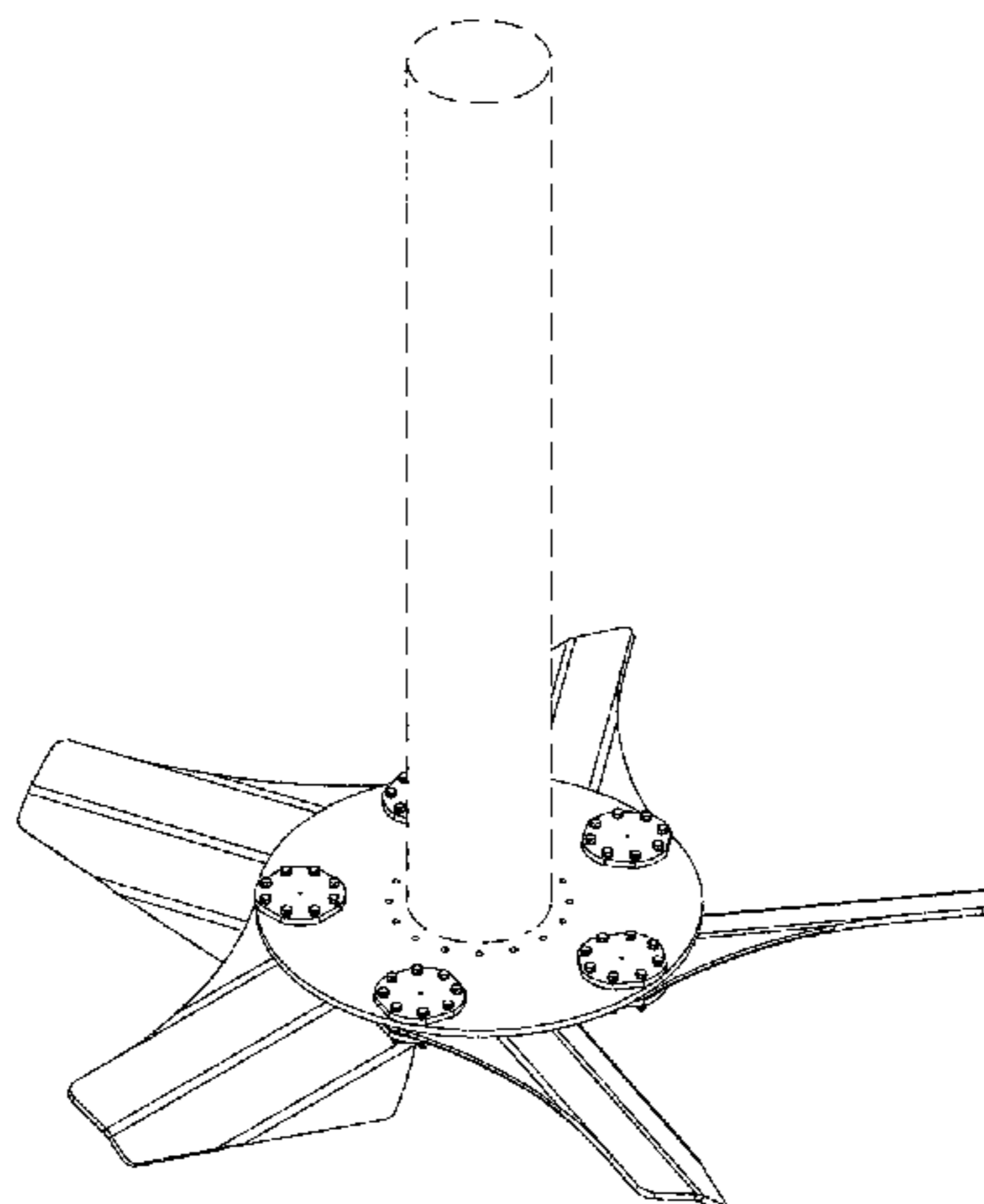
(57) **CLAIM**

The ornamental design for an impeller for mixer, as shown and described.

DESCRIPTION

FIG. 1 is a top perspective view of the impeller;
FIG. 2 is a bottom perspective view of the impeller;
FIG. 3 is a top plan view of the impeller;
FIG. 4 is a bottom view of the impeller while inverted;
FIG. 5 is a side view of the impeller;
FIG. 6 is a side view of the impeller; and,
FIG. 7 is a side view of the impeller.
The broken lines shown in the drawings are for illustrative purposes only and form no part of the claimed design.

1 Claim, 7 Drawing Sheets



(56)

References Cited

U.S. PATENT DOCUMENTS

4,260,267 A * 4/1981 Walton B01F 7/00475
366/129
D267,405 S * 12/1982 Wilson D15/21
4,721,394 A * 1/1988 Casto B01F 7/00341
366/330.2
4,896,971 A * 1/1990 Weetman B01F 3/04531
261/77
D328,905 S * 8/1992 Triano D15/138
5,158,434 A * 10/1992 Weetman B01F 7/00341
366/330.5
5,226,783 A * 7/1993 Mita F04D 29/384
416/223 R
5,326,168 A * 7/1994 Miura B01F 7/00358
366/343
6,250,797 B1 * 6/2001 Weetman B01F 3/04531
261/93
6,334,705 B1 * 1/2002 Weetman B01F 7/00341
366/330.1
6,866,414 B2 * 3/2005 Kupidowski B01F 7/001
366/330.3
6,877,959 B2 * 4/2005 McWhirter F04D 29/384
366/265

6,896,246 B2 * 5/2005 Weetman B01F 3/0478
261/84
7,114,844 B2 * 10/2006 Weetman B01F 3/0478
366/328.3
D566,143 S * 4/2008 Rosso D15/138
D576,186 S * 9/2008 Rosso D15/138
D601,850 S * 10/2009 Ikuta D7/376
7,887,230 B2 * 2/2011 Rosso B01F 7/001
366/129
D664,262 S * 7/2012 Khan D15/29
8,277,114 B2 * 10/2012 Higbee B01F 3/04539
366/270
D681,690 S 5/2013 Xia et al.
9,138,698 B2 * 9/2015 Lilja B01F 7/00341
D746,883 S * 1/2016 Strommer D15/138
2009/0134173 A1 * 5/2009 Liang B01F 7/00633
220/563
2011/0207218 A1 * 8/2011 Staheli B01F 3/04241
435/394

OTHER PUBLICATIONS

Strömmer, U.S. Appl. No. 29/492,954, entitled: "Mixer", filed Jun. 4, 2014, pp. 9.

* cited by examiner

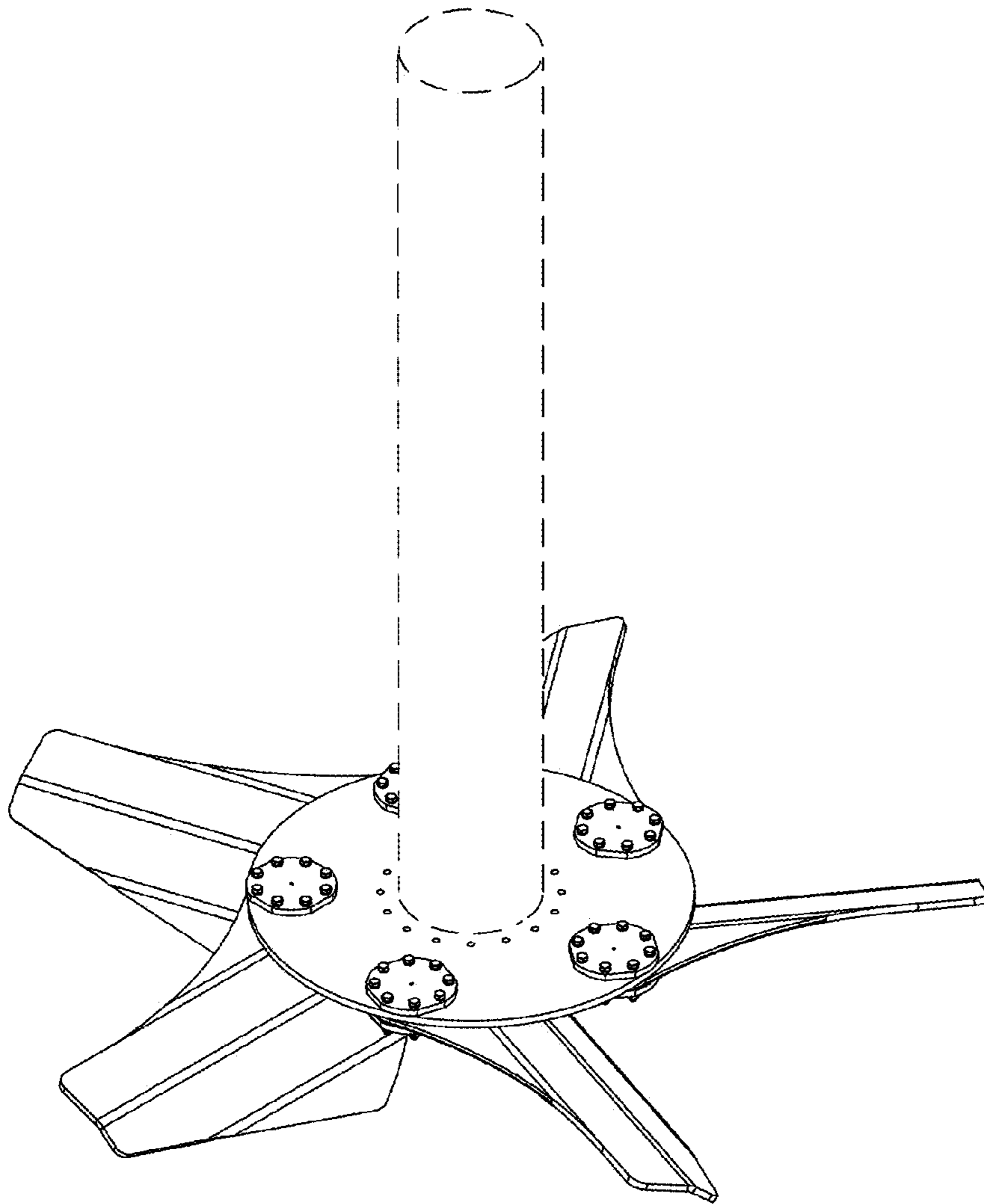


FIG. 1

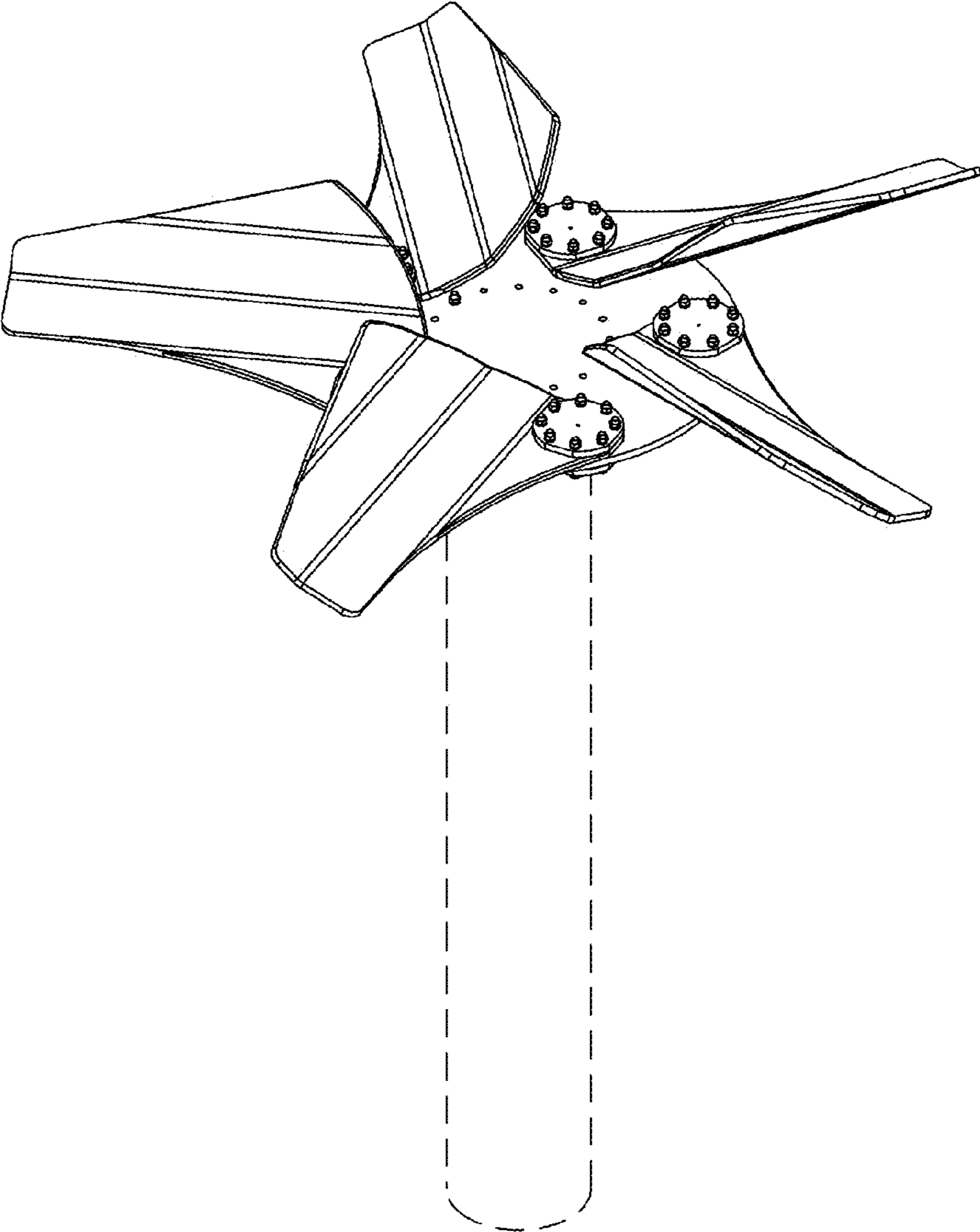


FIG. 2

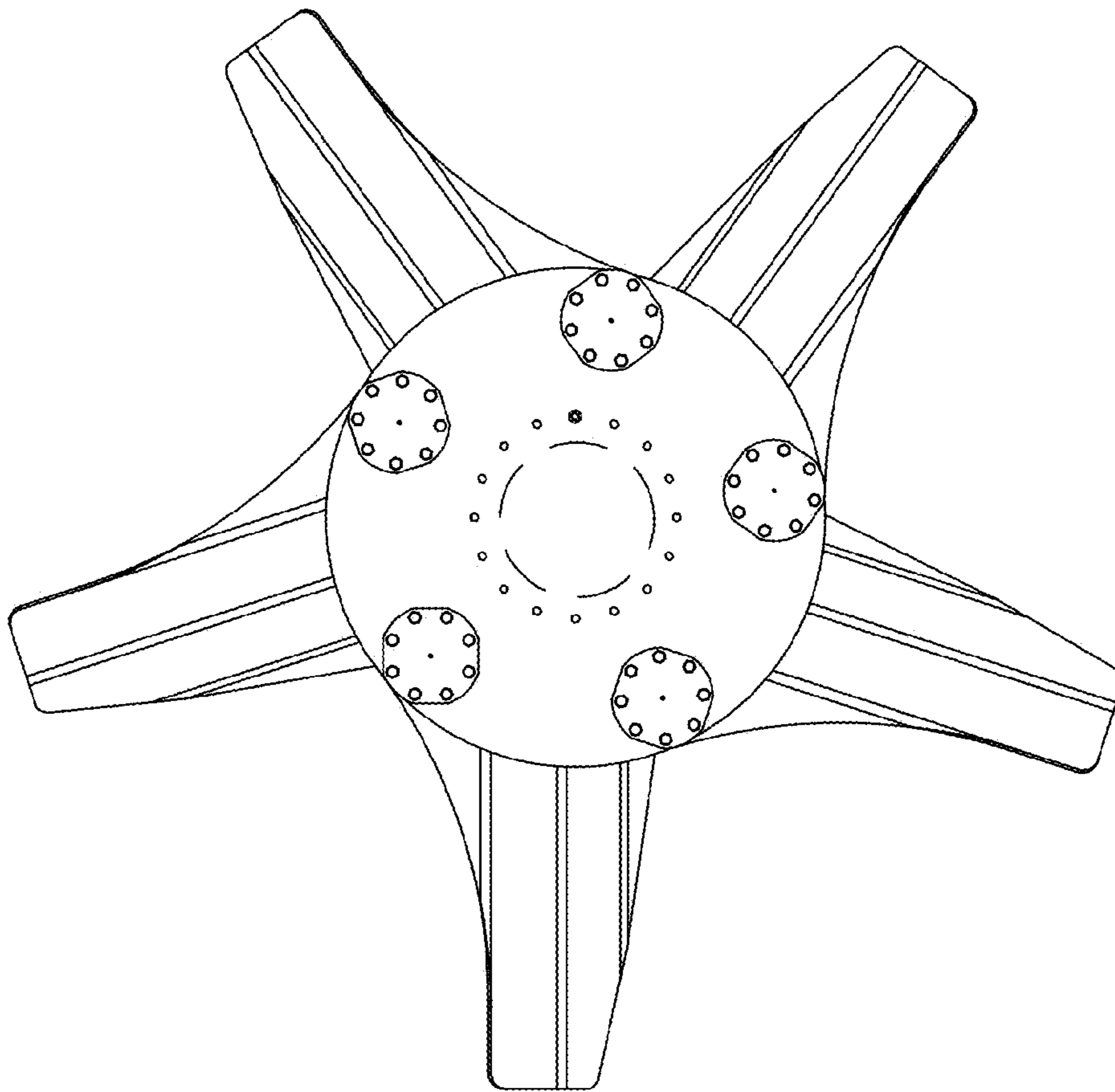


FIG. 3

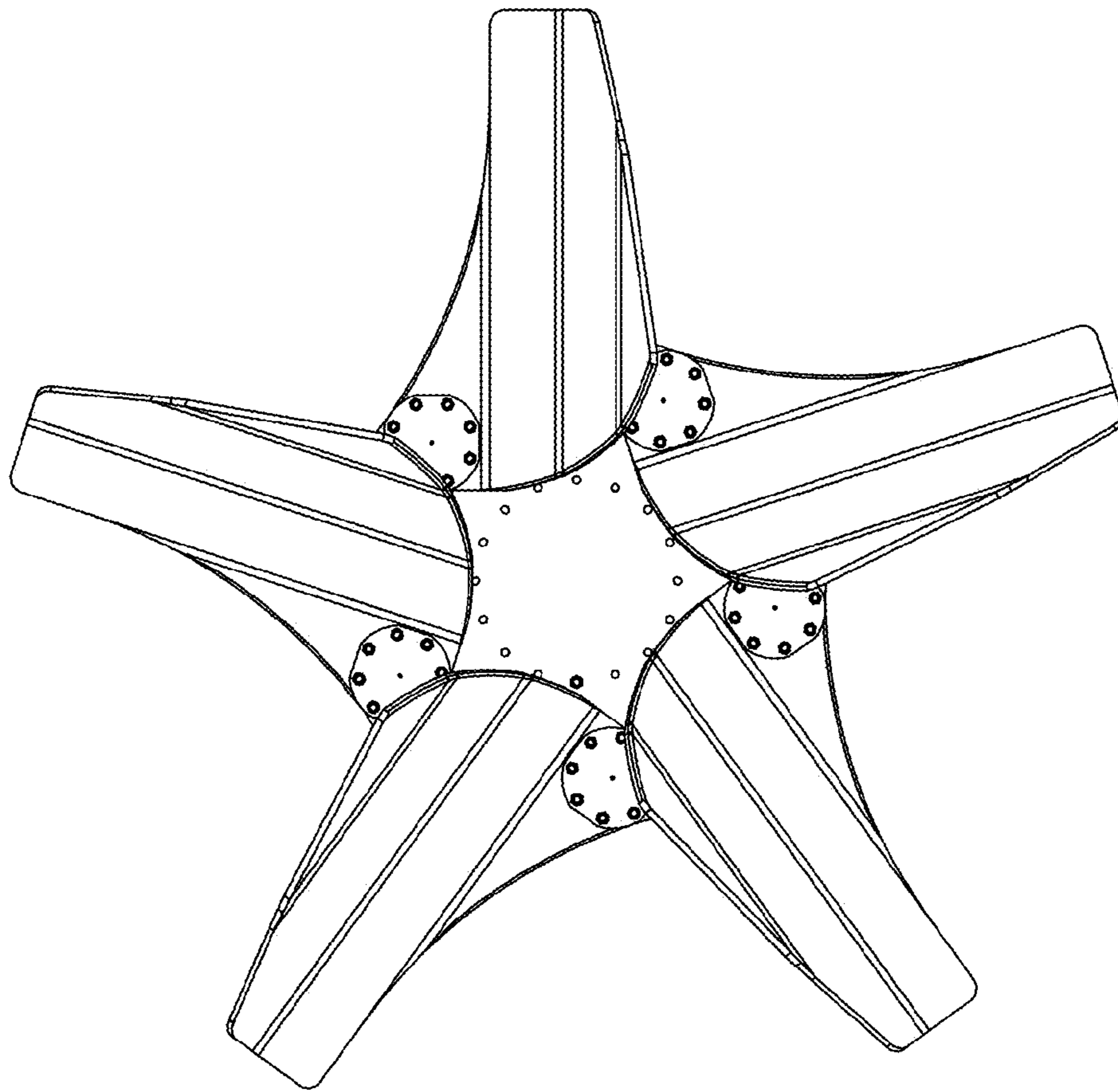


FIG. 4

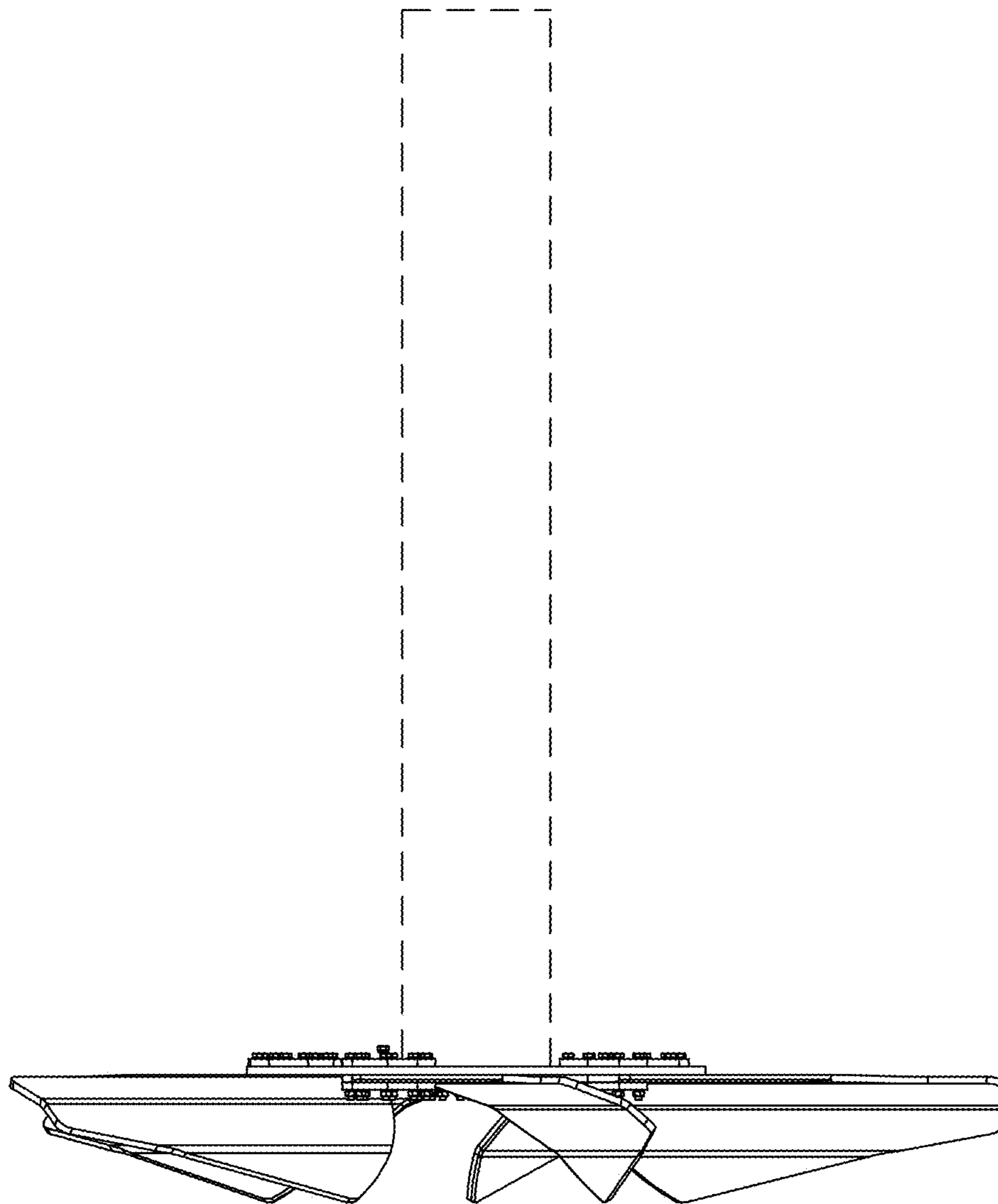


FIG. 5

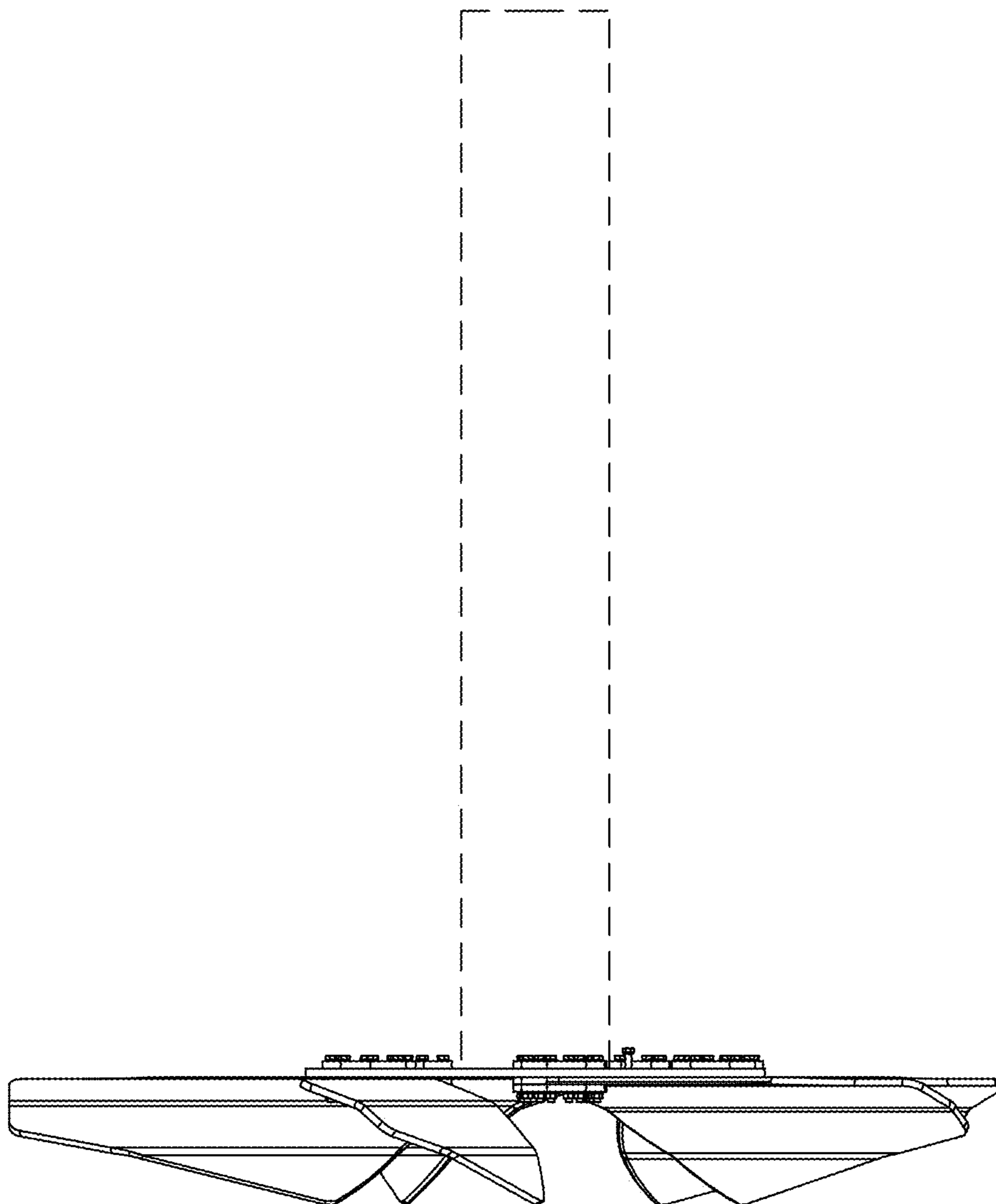


FIG. 6

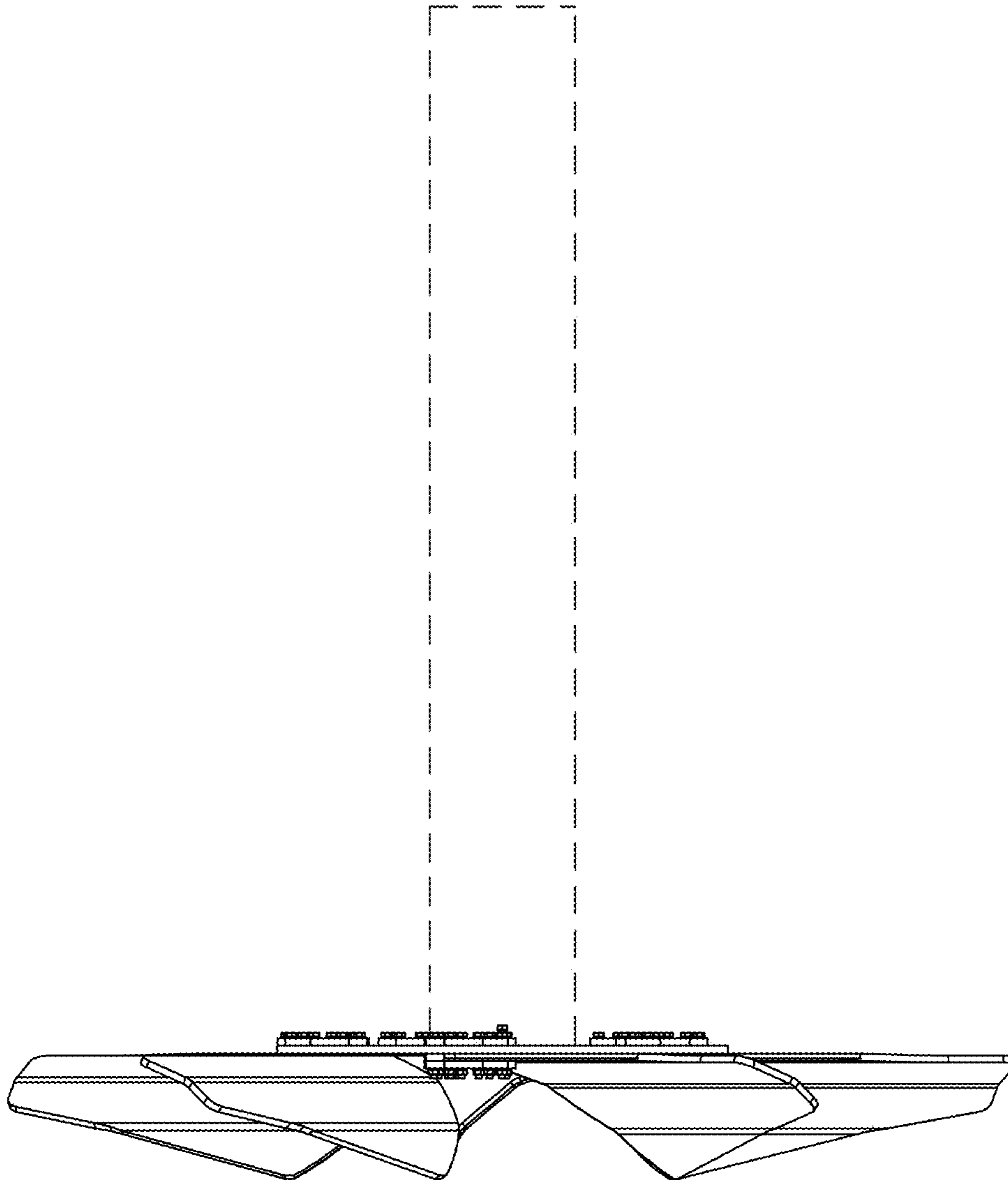


FIG. 7