

US00D767328S

(12) **United States Design Patent**  
**Boroski et al.**

(10) **Patent No.:** **US D767,328 S**  
(45) **Date of Patent:** **\*\* Sep. 27, 2016**

(54) **LID**  
(71) Applicants: **Dwayne Boroski**, Lake in the Hills, IL (US); **Marvin Lane**, Wheeling, IL (US)  
(72) Inventors: **Dwayne Boroski**, Lake in the Hills, IL (US); **Marvin Lane**, Wheeling, IL (US)  
(73) Assignee: **THERMOS L.L.C.**, Chaumburg, IL (US)

(\*\*) Term: **14 Years**  
(21) Appl. No.: **29/523,306**

(22) Filed: **Apr. 8, 2015**  
(51) **LOC (10) Cl.** ..... **07-99**  
(52) **U.S. Cl.**  
USPC ..... **D7/392.1**; D7/396.2; D9/443; D9/449;  
D9/450; D9/436

(58) **Field of Classification Search**  
USPC ..... D7/507, 509, 510, 511, 523, 529, 530,  
D7/531, 532, 533, 536, 607, 608, 391,  
D7/392.1, 396.1, 396.2, 560, 629; D9/435,  
D9/436, 440, 443, 445, 447, 448, 454, 449,  
D9/450, 516, 517, 530, 551, 552, 564, 565,  
D9/500, 503, 537, 550, 553, 563, 504,  
D9/566; 215/381, 382, 383, 384, 396, 398,  
215/400; 222/211, 212, 213; 220/771;  
D24/197  
CPC ... A45F 3/16; B65D 47/066; B65D 41/0414;  
B65D 43/02; B65D 47/08; B65D 51/18;  
B65D 41/62; A47G 19/2266  
See application file for complete search history.

(56) **References Cited**  
U.S. PATENT DOCUMENTS  
5,273,172 A \* 12/1993 Rossbach ..... B65D 47/2043  
215/229  
D568,740 S \* 5/2008 Williams ..... D9/436

D620,798 S \* 8/2010 Cresswell ..... D9/443  
D627,602 S \* 11/2010 Eyal ..... D7/510  
D632,522 S \* 2/2011 Wahl ..... D7/392.1  
D634,972 S \* 3/2011 Staton ..... D7/392.1  
8,070,140 B2 \* 12/2011 Bandawat ..... F24F 6/14  
222/383.1  
D665,621 S \* 8/2012 Eyal ..... D7/392.1  
8,336,724 B2 \* 12/2012 Yamashita ..... A47G 19/2266  
215/309  
D675,100 S \* 1/2013 Herbst ..... D7/511  
D688,093 S \* 8/2013 Roth ..... D7/392.1  
D718,625 S \* 12/2014 Trevisan ..... D9/448  
2007/0000933 A1 \* 1/2007 Wang ..... B65D 77/28  
220/709  
2012/0160851 A1 \* 6/2012 Chiang ..... B65D 47/066  
220/360

\* cited by examiner

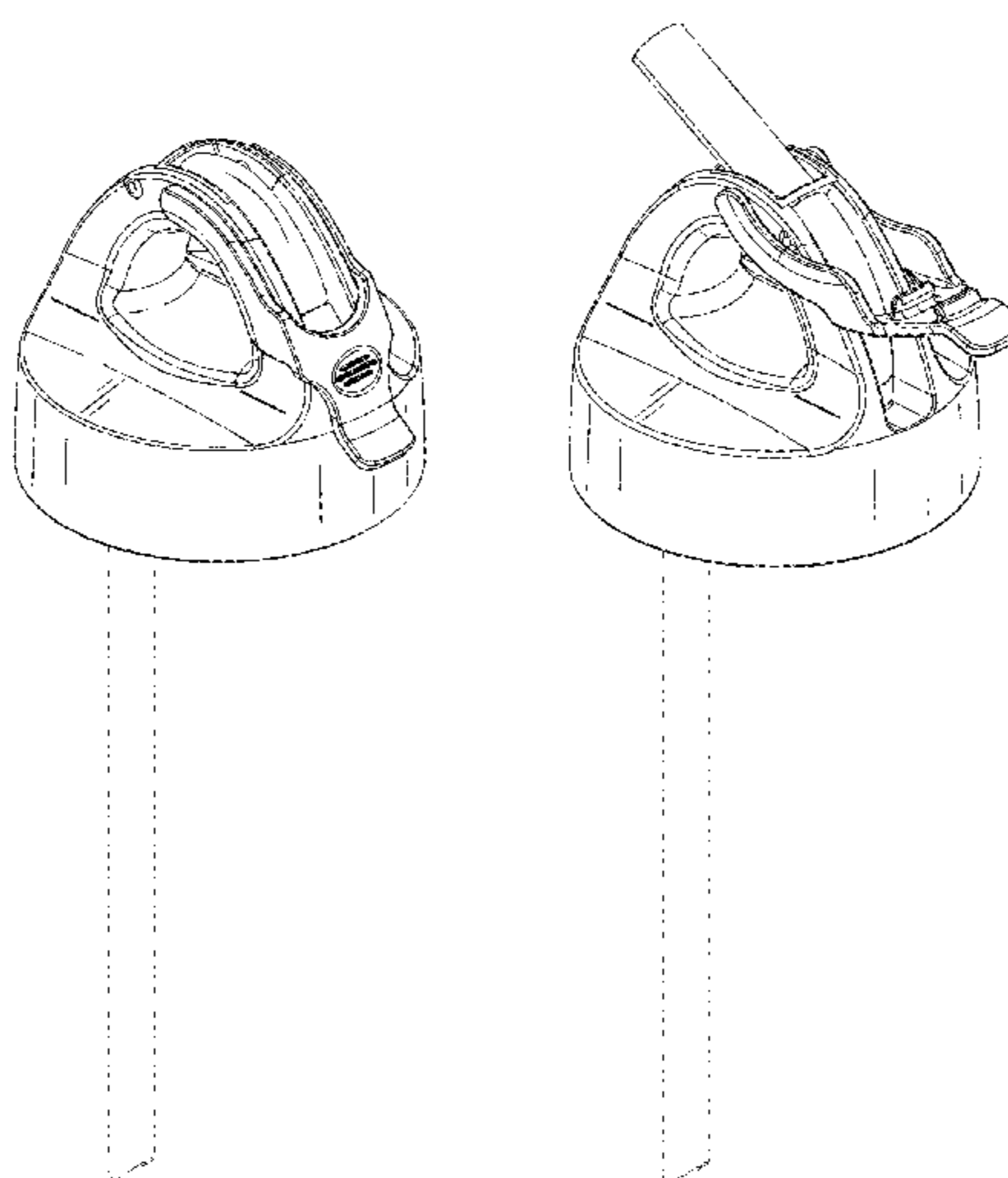
*Primary Examiner* — Marianne Pandozzi  
*Assistant Examiner* — Jae Liang  
(74) *Attorney, Agent, or Firm* — Polsinelli PC

(57) **CLAIM**  
The ornamental design for a lid, as shown and described.

**DESCRIPTION**

FIG. 1 is a perspective view of a lid showing our new design; FIG. 2 is a front view of the lid; FIG. 3 is a rear view of the lid; FIG. 4 is a right side view of the lid; FIG. 5 is a left side view of the lid; FIG. 6 is a top view of the lid; FIG. 7 is a bottom view of the lid; and, FIG. 8 is a perspective view of the lid in its open position. The broken lines in the drawing depict portions of the lid that form no part of the claimed design.

**1 Claim, 5 Drawing Sheets**



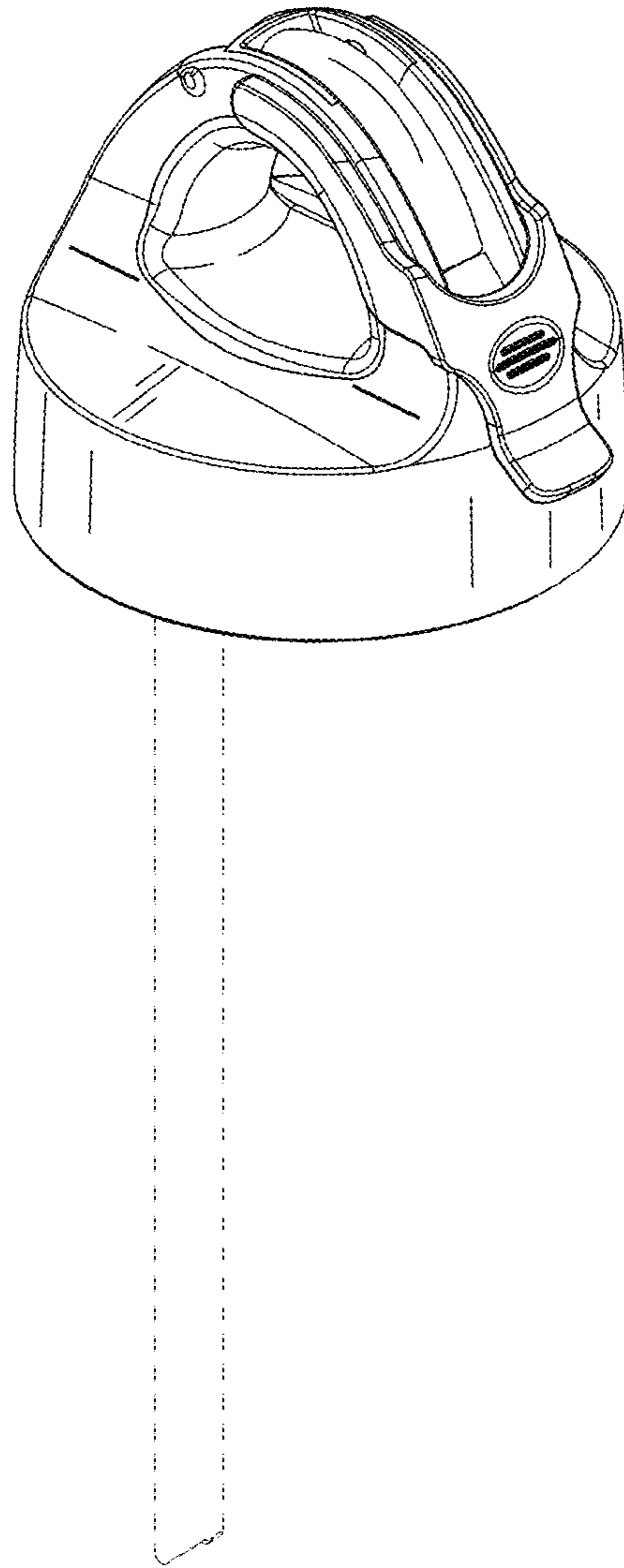


FIG. 1



FIG. 2



FIG. 3

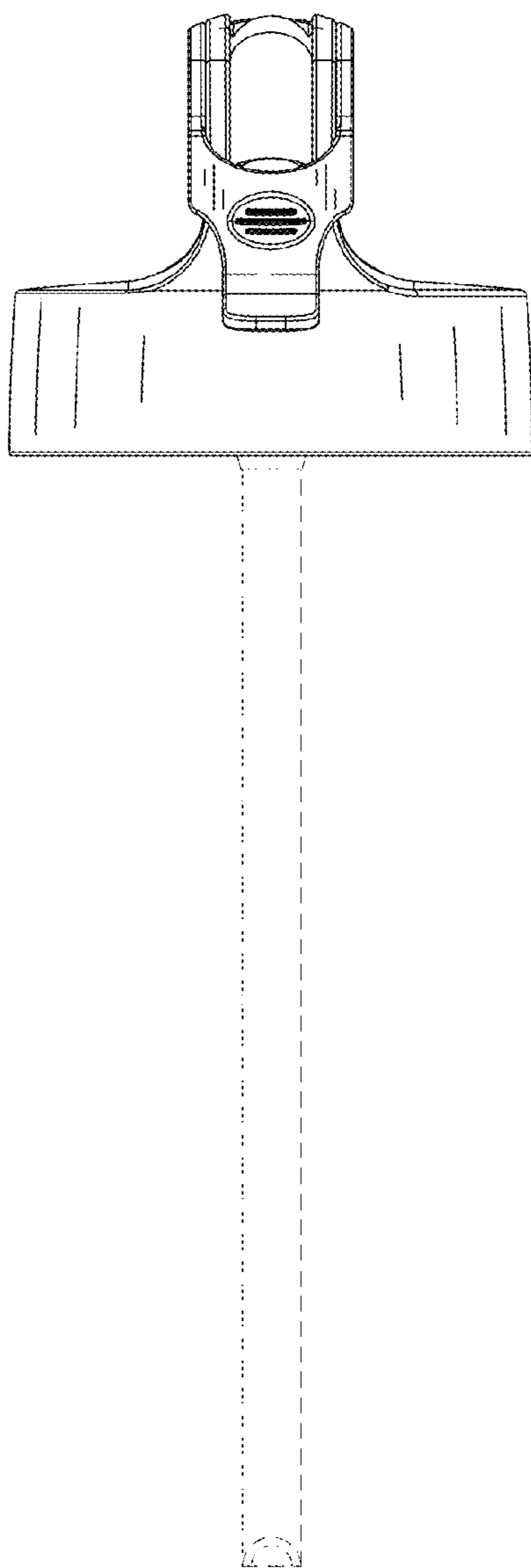


FIG. 4

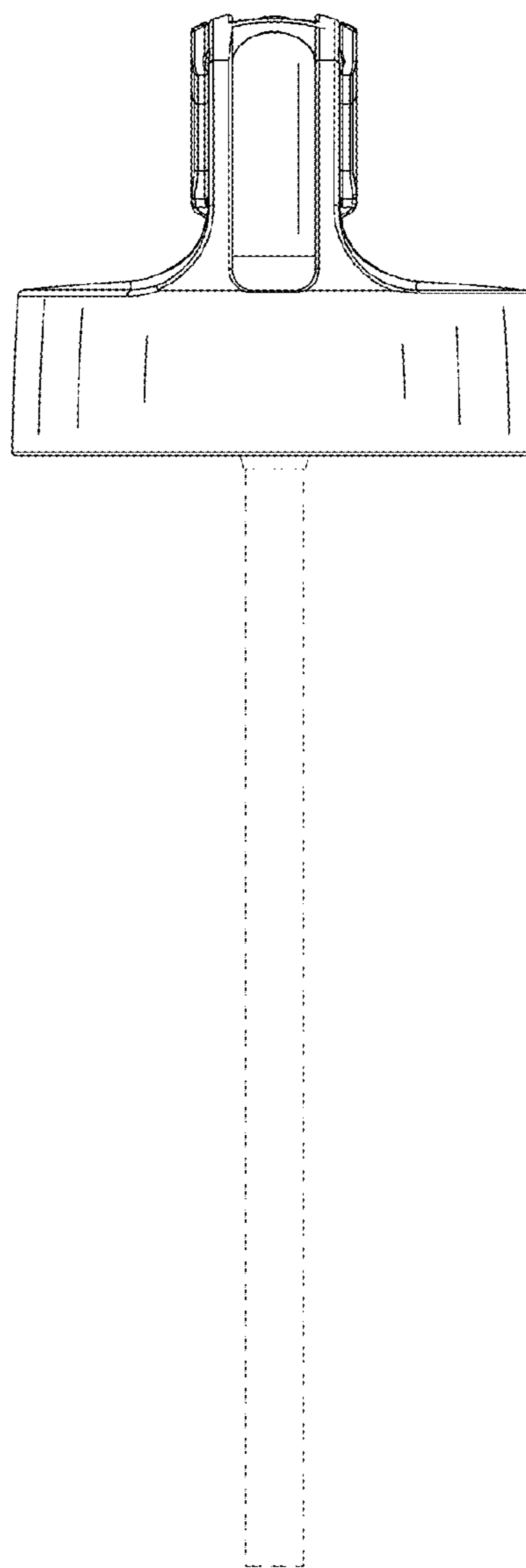


FIG. 5

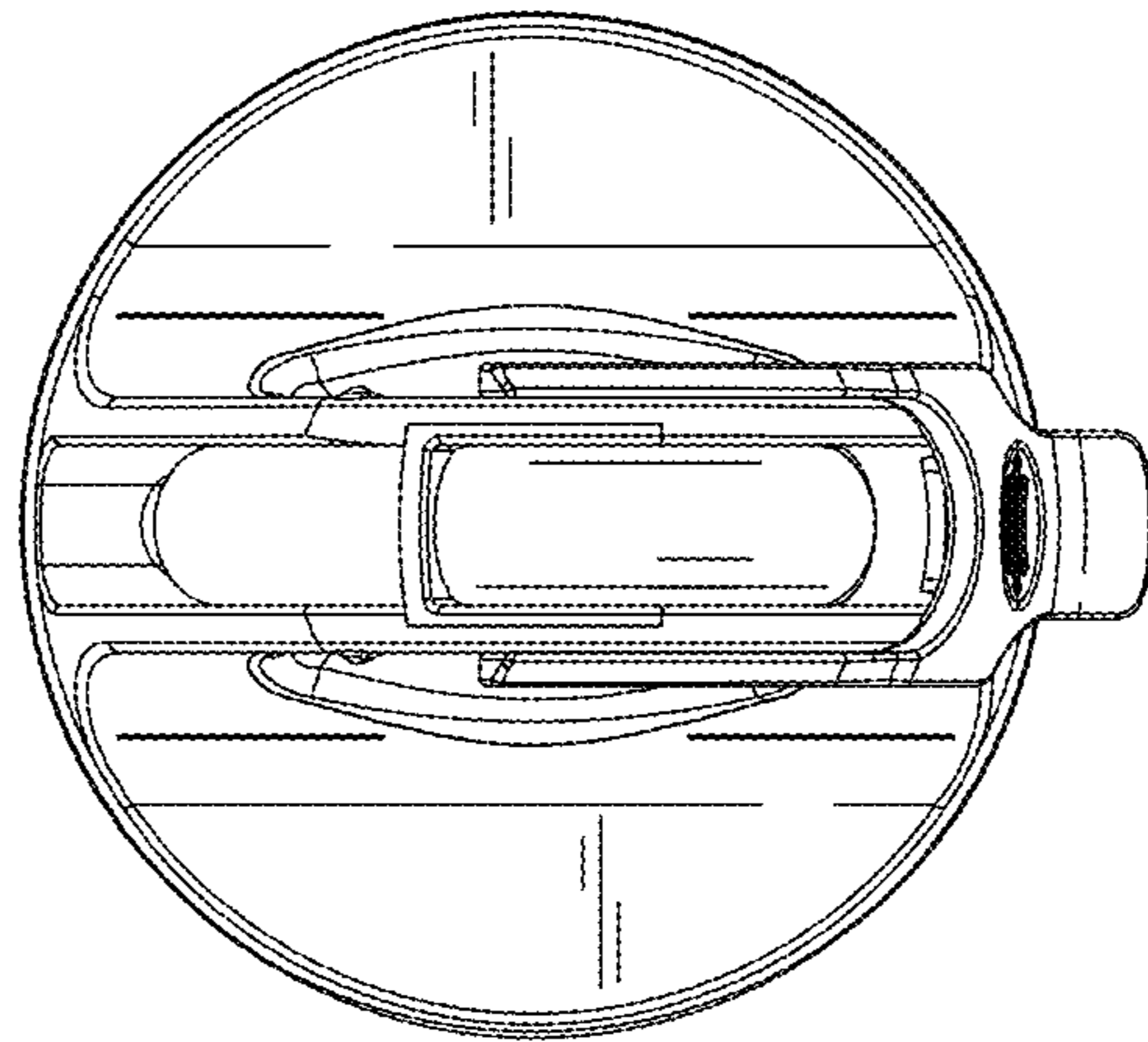


FIG. 6

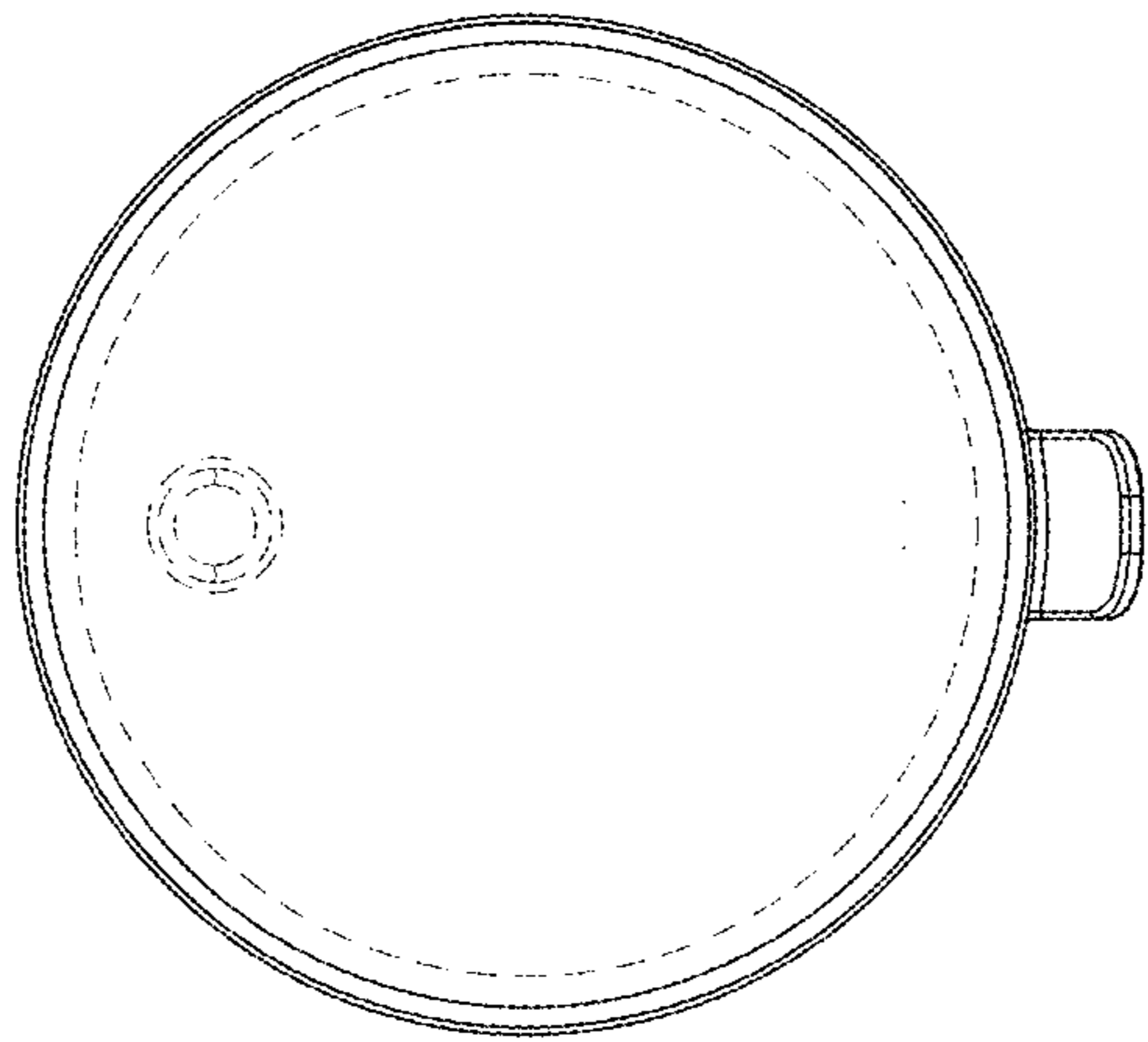


FIG. 7

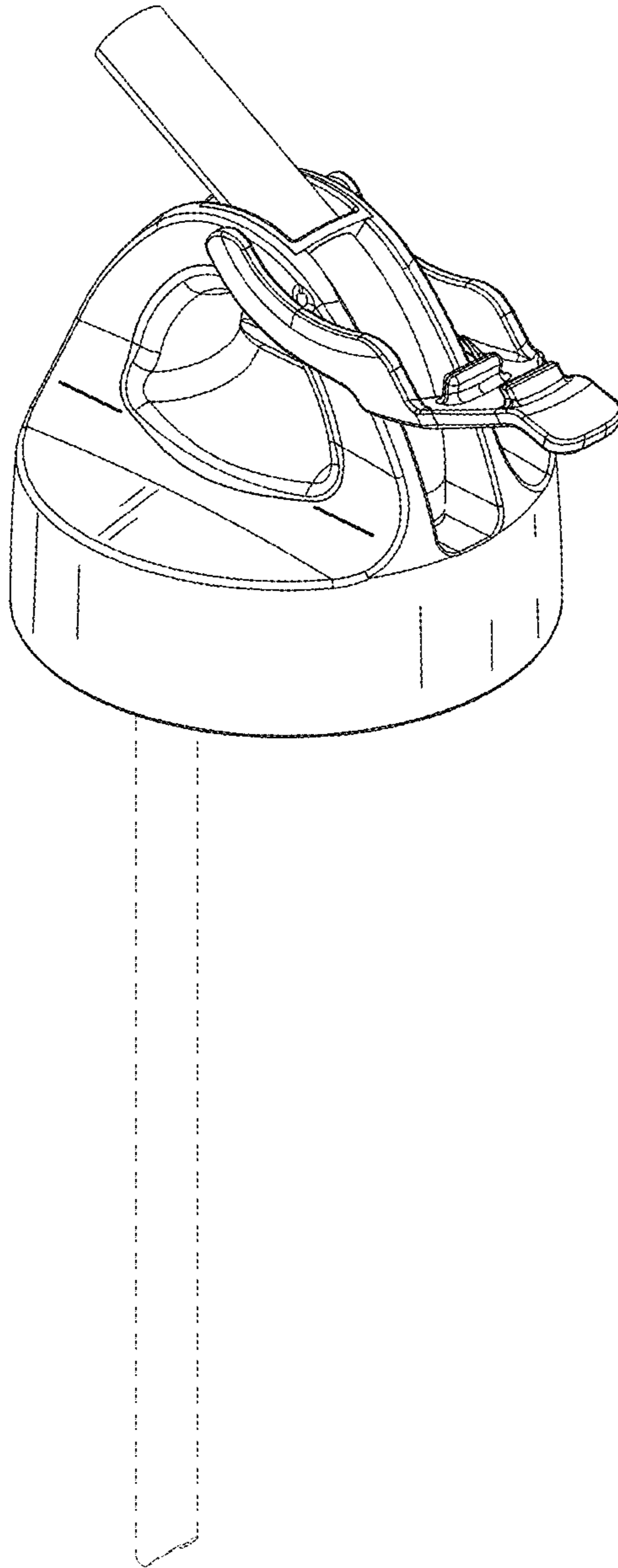


FIG. 8