

US00D767327S

(12) **United States Design Patent**
McConnell et al.

(10) **Patent No.:** **US D767,327 S**
(45) **Date of Patent:** **** Sep. 27, 2016**

- (54) **FOOD PROCESSING DEVICE**
 - (71) Applicant: **Whirlpool Corporation**, Benton Harbor, MI (US)
 - (72) Inventors: **John W. McConnell**, St. Joseph, MI (US); **Joel Graham Van Faasen**, Holland, MI (US)
 - (73) Assignee: **Whirlpool Corporation**, Benton Harbor, MI (US)
 - (**) Term: **14 Years**
 - (21) Appl. No.: **29/519,544**
 - (22) Filed: **Mar. 5, 2015**
 - (51) **LOC (10) Cl.** **31-00**
 - (52) **U.S. Cl.**
USPC **D7/384**; D7/376; D7/378; D7/413
 - (58) **Field of Classification Search**
USPC D7/372-373, 376-386, 412-413, 602, D7/629, 665-666, 669, 679, 693-694; D15/82
CPC A21C 1/02; A21C 1/04; A23N 1/00; A23N 1/02; A47J 43/04; A47J 43/25; A47J 43/27; A47J 43/042; A47J 43/044; A47J 43/046; A47J 43/075; A47J 43/0722; A47J 43/0727; B01F 3/00; B01F 3/0807; B01F 3/0853; B01F 13/0059; B01F 13/0064; B02C 1/08; B02C 2/04; B02C 4/42; B02C 4/142; B02C 4/143; B02C 4/423; B02C 13/1835; B28C 5/10; B28C 5/12; B28C 5/14; B28C 5/16
- See application file for complete search history.

- D621,206 S * 8/2010 Matta D7/372
- D629,643 S * 12/2010 Bower D7/376
- D630,467 S * 1/2011 Harrod D7/372
- D634,155 S * 3/2011 Duncan D7/372
- D683,180 S * 5/2013 Carlson D7/376
- 8,733,239 B2 * 5/2014 Allen A47J 43/046
241/151
- D719,779 S * 12/2014 Vu D7/376
- D725,432 S * 3/2015 Gao D7/376
- 9,084,508 B2 * 7/2015 Sandford A47J 43/0722

* cited by examiner

Primary Examiner — Ricky Pham

(57) **CLAIM**

The ornamental design for a food processing device, as shown and described.

DESCRIPTION

FIG. 1 is a front perspective view of a food processing device according to an embodiment of our design;

FIG. 2 is a right side view thereof;

FIG. 3 is a left side view thereof;

FIG. 4 is a front view thereof;

FIG. 5 is a back view thereof;

FIG. 6 is a top view thereof; and,

FIG. 7 is a bottom view thereof.

Broken lines are environmental only and form no part of the claimed design; and

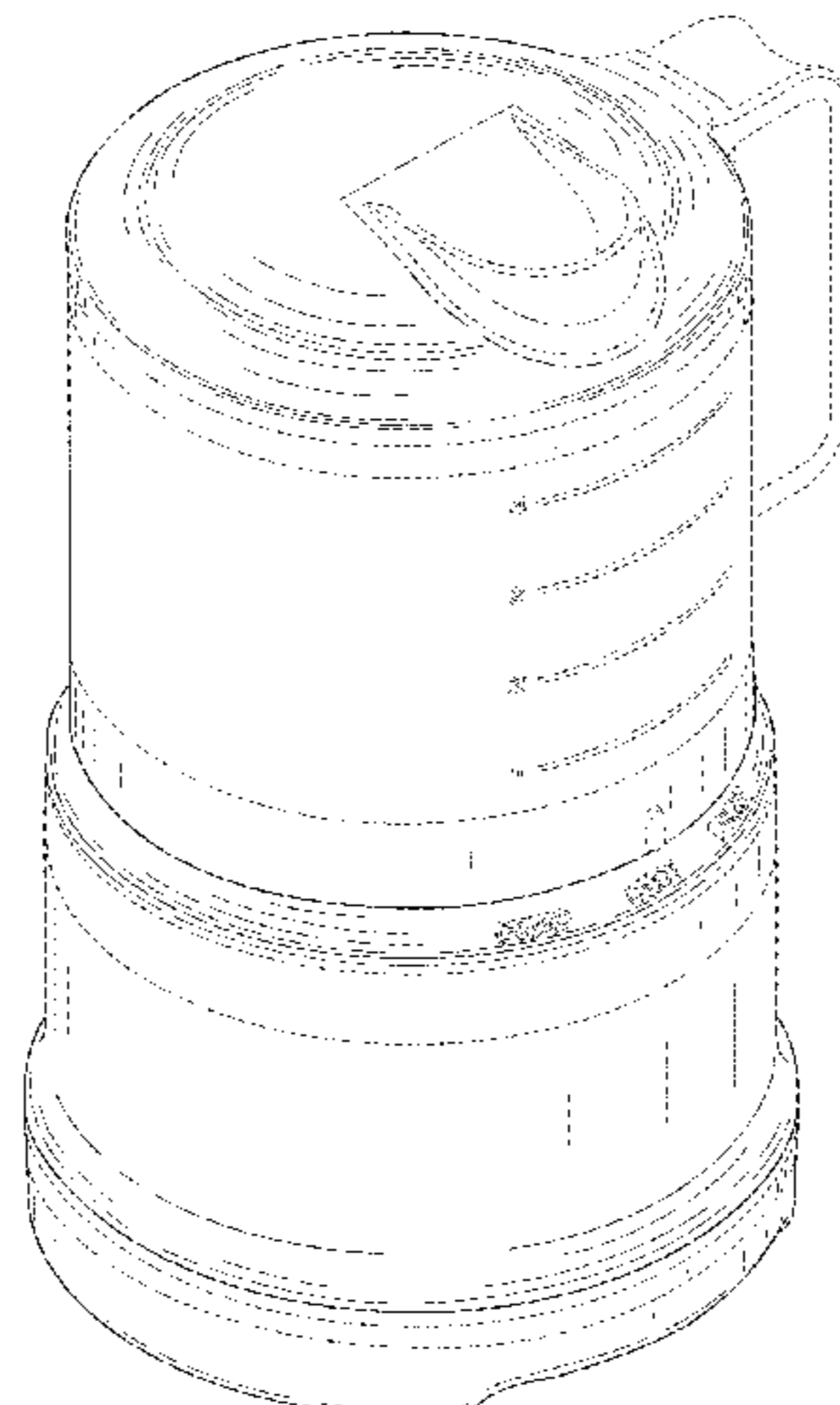
Dash-dot lines adjacent un-shaded areas represent bounds of the claimed design and form no part of the claimed design themselves.

1 Claim, 7 Drawing Sheets

(56) **References Cited**

U.S. PATENT DOCUMENTS

- D290,677 S * 7/1987 Stutzer D7/383
- D406,154 S * 2/1999 Copland D15/82
- D563,154 S * 3/2008 Comstock D7/378
- D578,340 S * 10/2008 Picozza D7/378



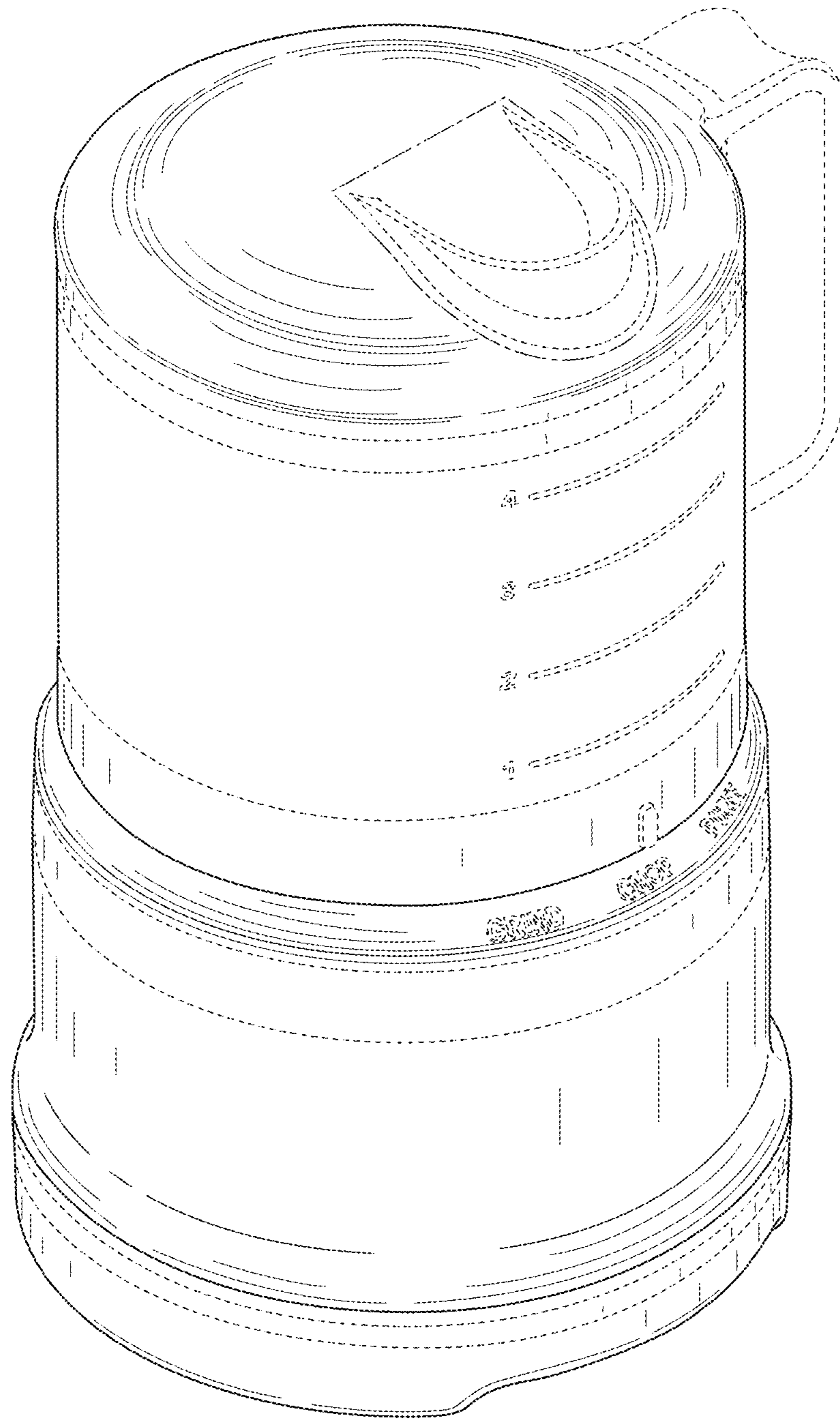


FIG. 1

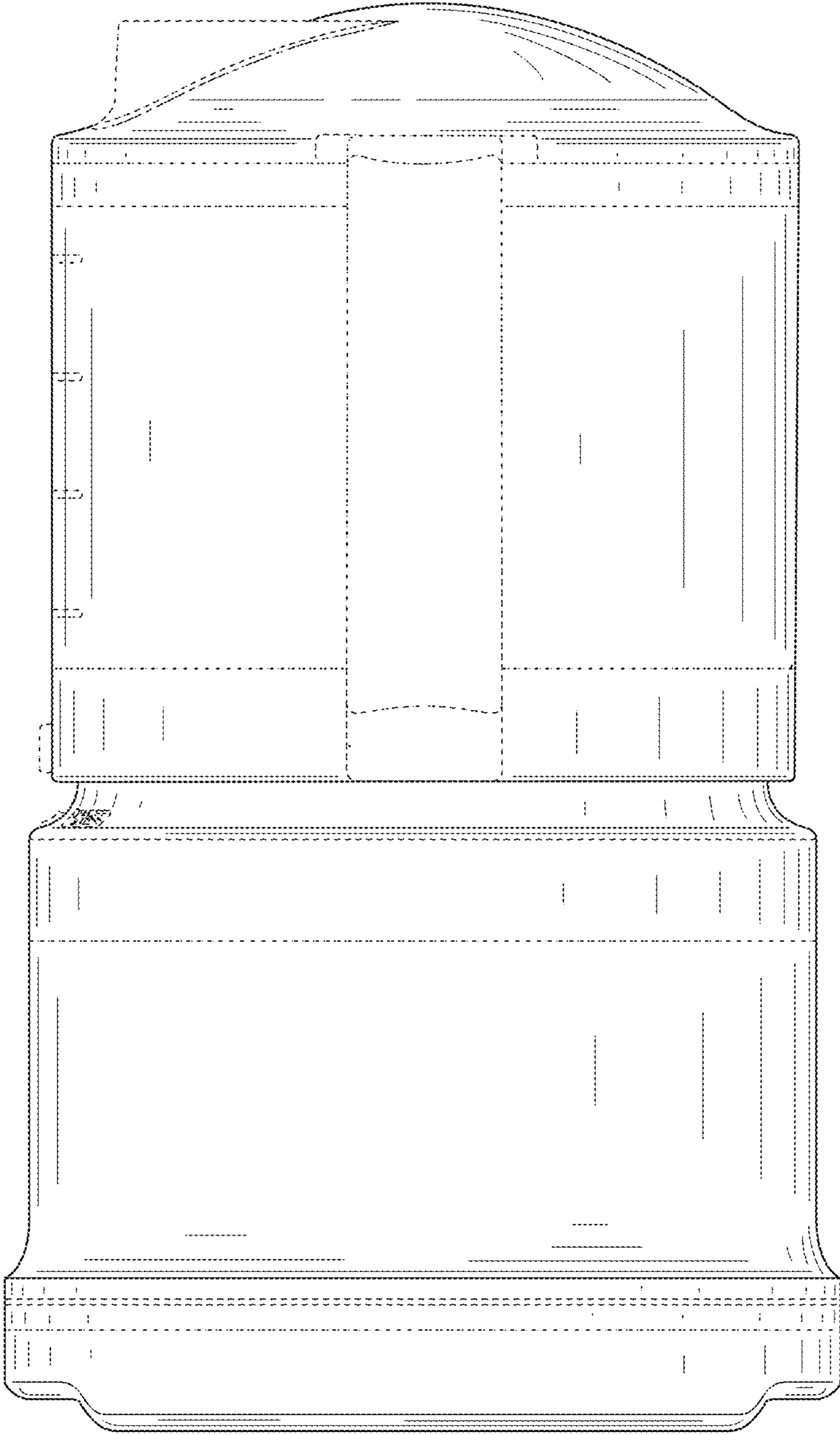


FIG. 2

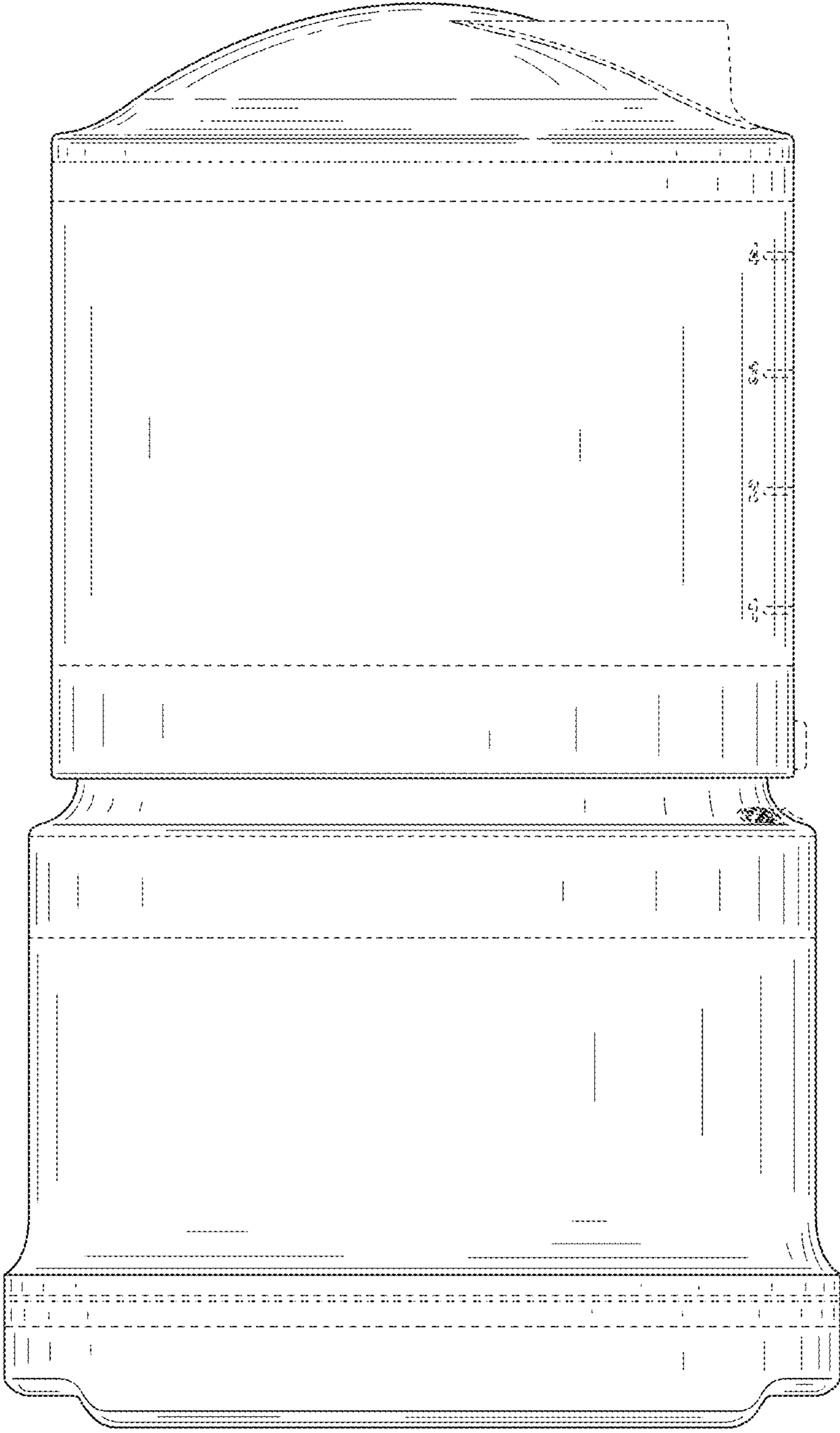


FIG. 3

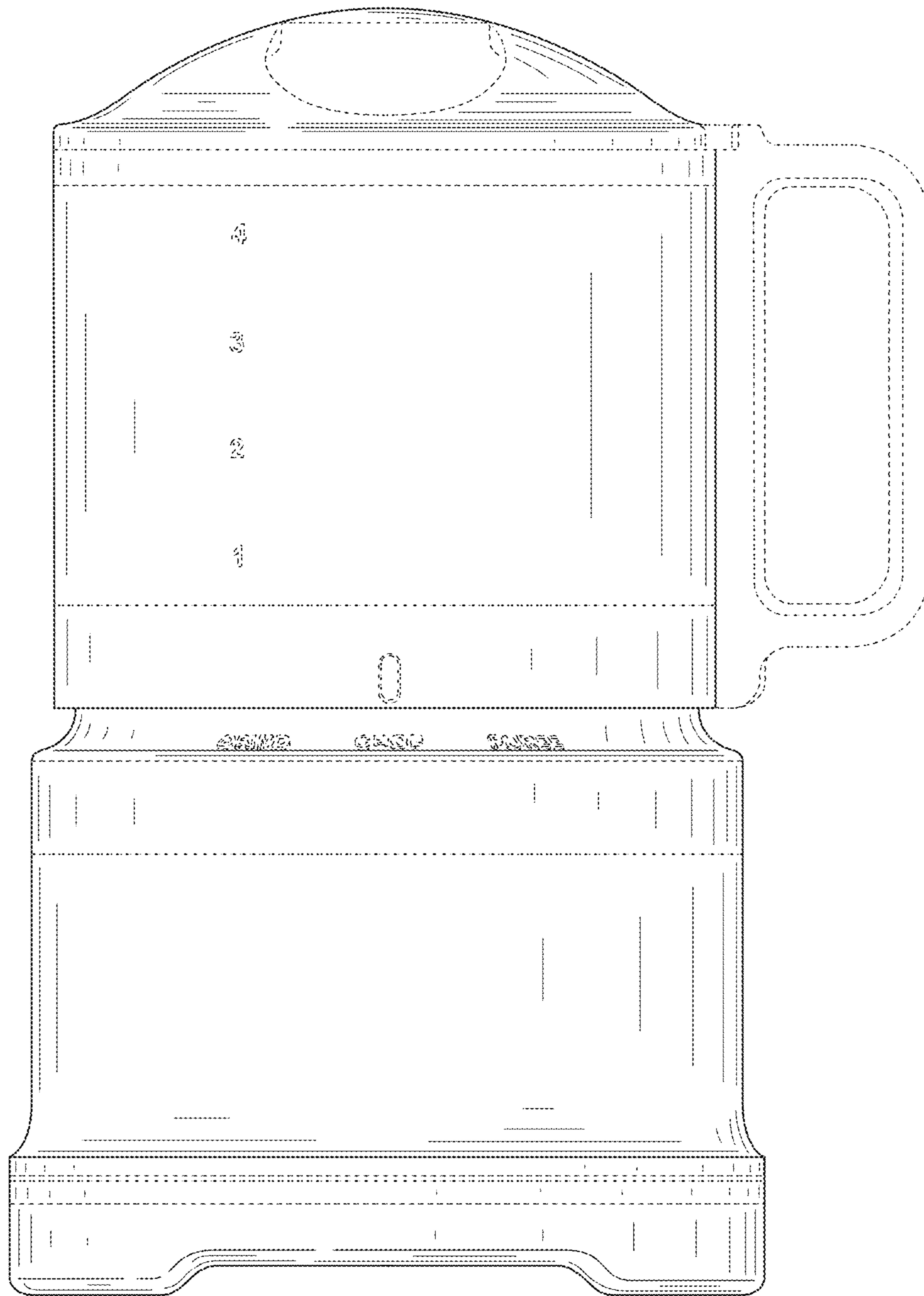


FIG. 4

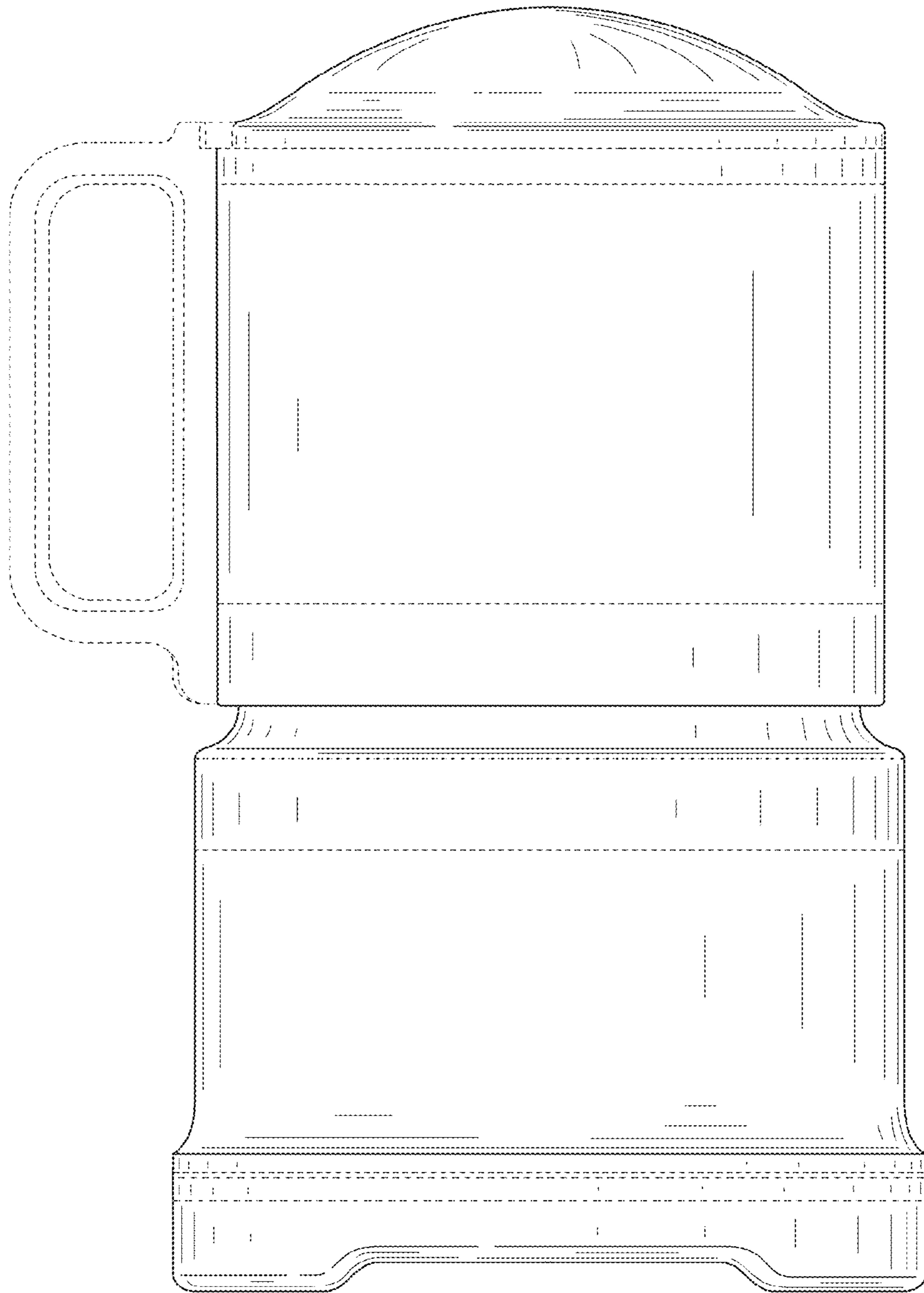


FIG. 5

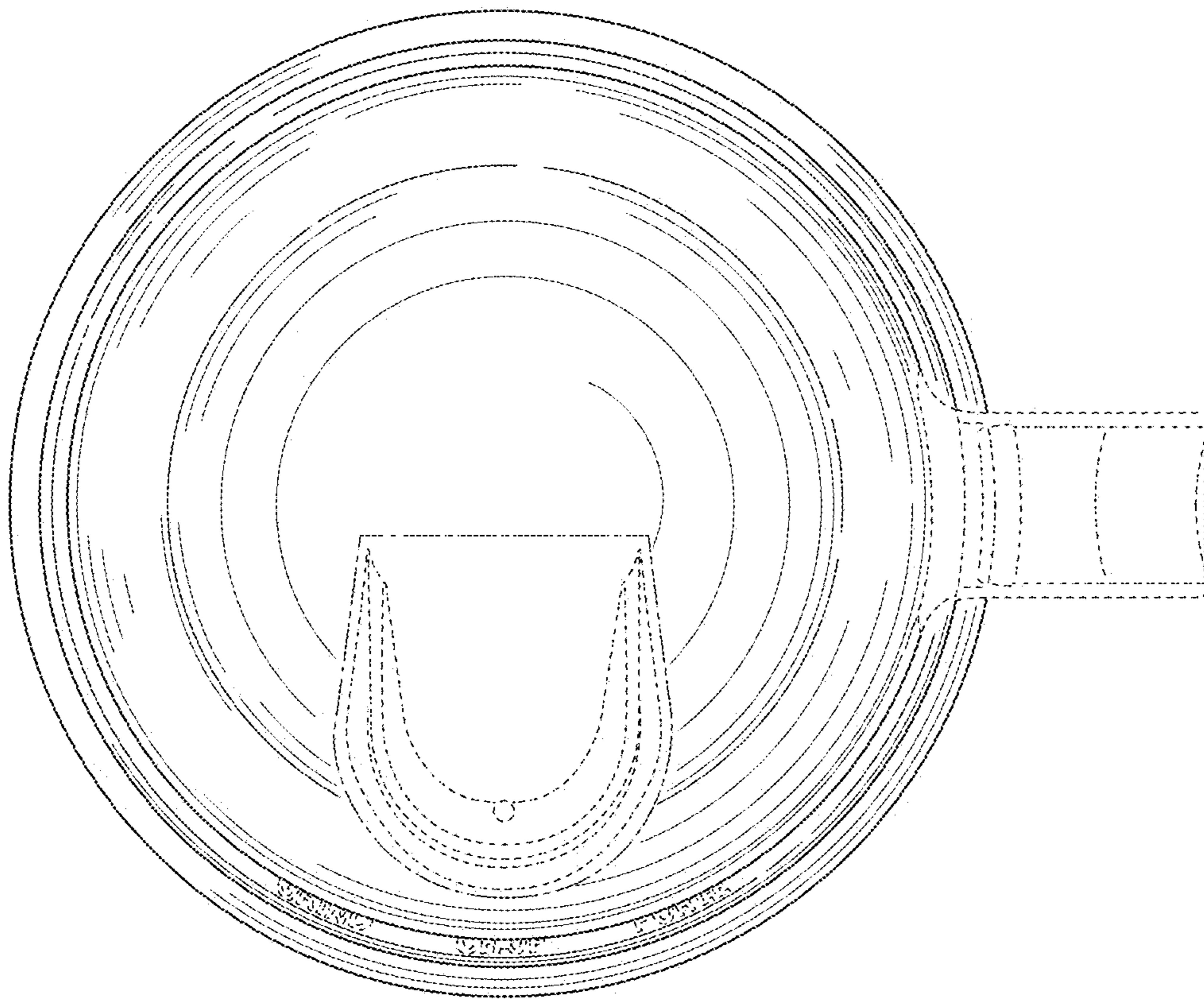


FIG. 6

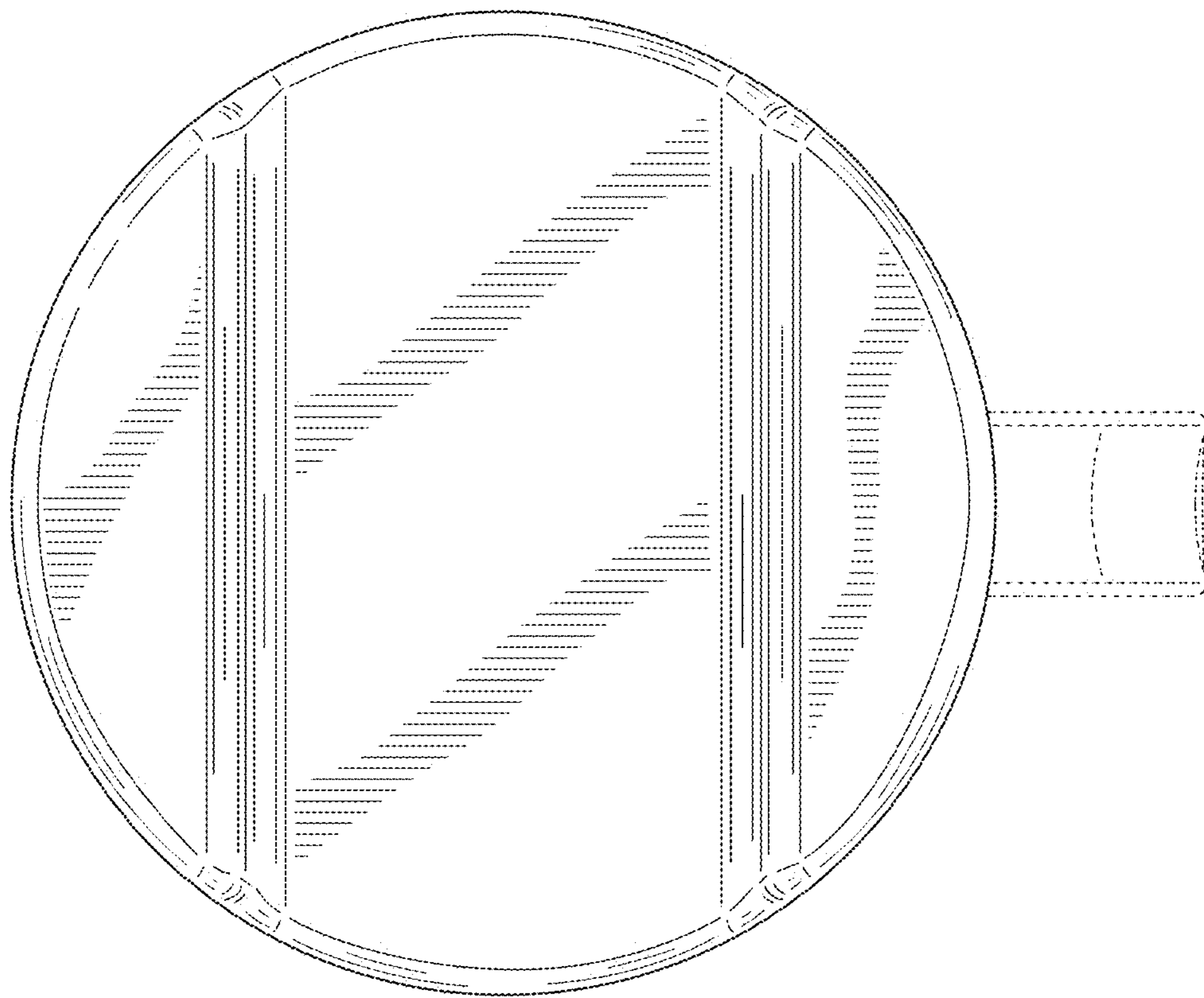


FIG. 7