



US00D767326S

(12) **United States Design Patent** (10) **Patent No.:** **US D767,326 S**
Shoemaker et al. (45) **Date of Patent:** **** Sep. 27, 2016**

(54) **COOKTOP**

(71) Applicant: **Sears Brands, L.L.C.**, Hoffman Estates, IL (US)
(72) Inventors: **Anthony Shoemaker**, Bartlett, IL (US); **Jason Silverstein**, Hoffman Estates, IL (US); **Daniel Green**, Charlotte, NC (US); **Roddy Burgess**, Charlotte, NC (US)
(73) Assignee: **SEARS BRANDS, L.L.C.**, Hoffman Estates, IL (US)

(**) Term: **15 Years**

(21) Appl. No.: **29/528,308**

(22) Filed: **May 28, 2015**

(51) **LOC (10) Cl.** **07-02**

(52) **U.S. Cl.**
USPC **D7/346; D7/339; D7/340; D7/408; D7/409**

(58) **Field of Classification Search**
USPC **D7/323, 328-330, 339-349, 390, D7/402-409**
CPC **A21B 2/00; A47J 37/00; A47J 37/06; A47J 37/0611; A47J 37/08; A47J 37/0807; A47J 37/0814; A47J 37/0835; A47J 37/0842; A47J 37/085; A47J 37/0864; A47J 37/0878; A47J 37/0885; A47J 37/0892; F24C 7/00; F24C 7/002; F24C 7/046; F24C 7/067; F24C 15/02; F24C 15/04; F24C 15/10; F24C 15/102**

See application file for complete search history.

(56) **References Cited**

U.S. PATENT DOCUMENTS

D560,955 S *	2/2008	Shin	D7/340
D564,282 S *	3/2008	Suh	D7/340
D578,823 S *	10/2008	Kim	D7/340
D615,345 S *	5/2010	Grey	D7/346
D615,802 S *	5/2010	Grey	D7/346
D617,133 S *	6/2010	Grey	D7/340
D653,900 S *	2/2012	Kim	D7/340
D655,128 S *	3/2012	Kim	D7/340
D685,602 S *	7/2013	Lee	D7/340
D697,358 S *	1/2014	Kim	D7/340
D700,469 S *	3/2014	Reay	D7/340
D731,845 S *	6/2015	Kim	D7/340
D736,553 S *	8/2015	Funnell, II	D7/339

* cited by examiner

Primary Examiner — Ricky Pham

(74) *Attorney, Agent, or Firm* — McAndrews, Held & Malloy, Ltd.

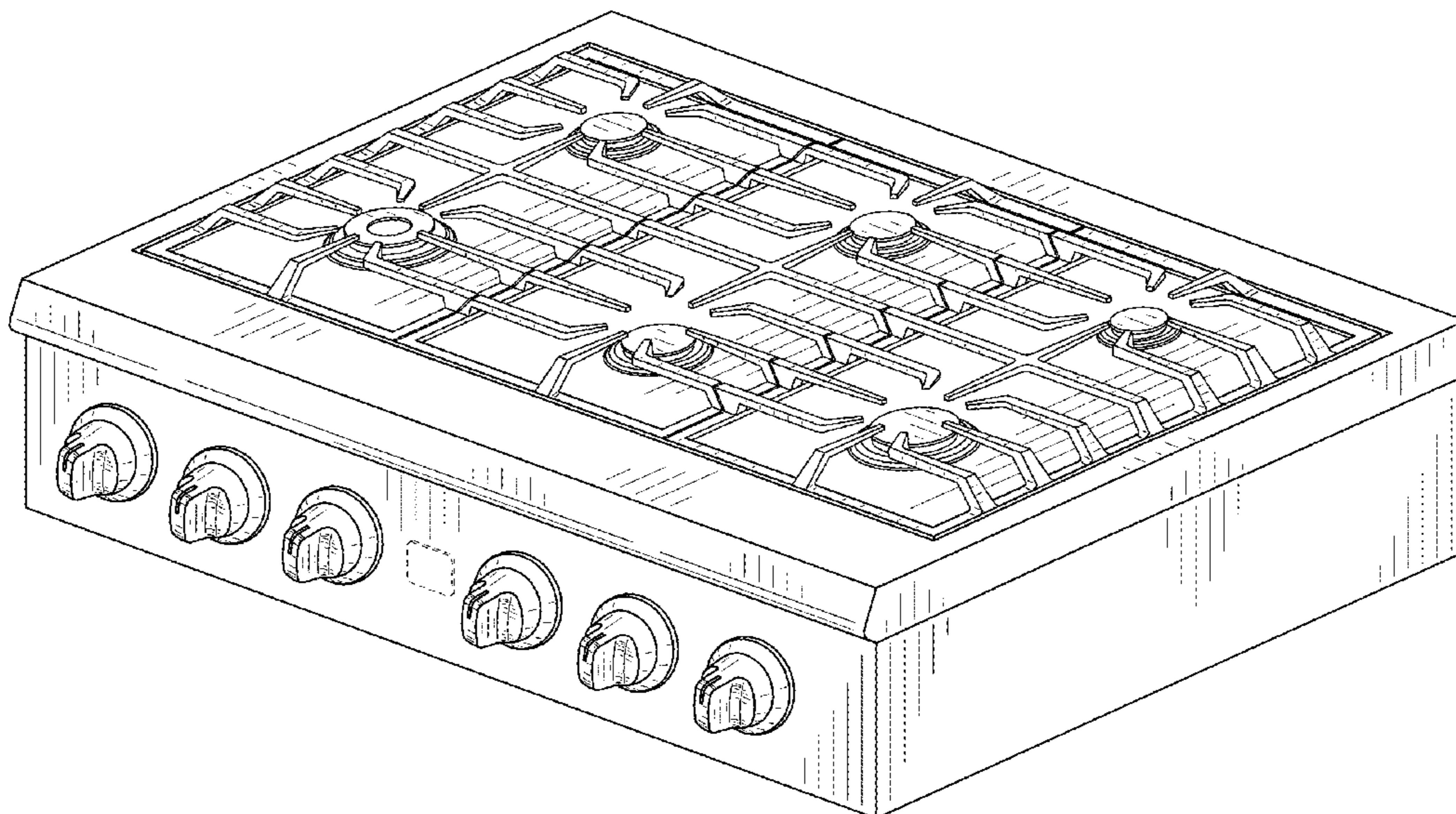
(57) **CLAIM**

The ornamental design for a cooktop, as shown and described.

DESCRIPTION

FIG. 1 is a top right front perspective view of a cooktop showing our new design;
FIG. 2 is a front view thereof;
FIG. 3 is a right-side elevation view thereof;
FIG. 4 is a left-side elevation view thereof; and,
FIG. 5 is a top plan view thereof.
The dashed broken lines are for environmental purposes only and form no part of the claimed design.

1 Claim, 4 Drawing Sheets



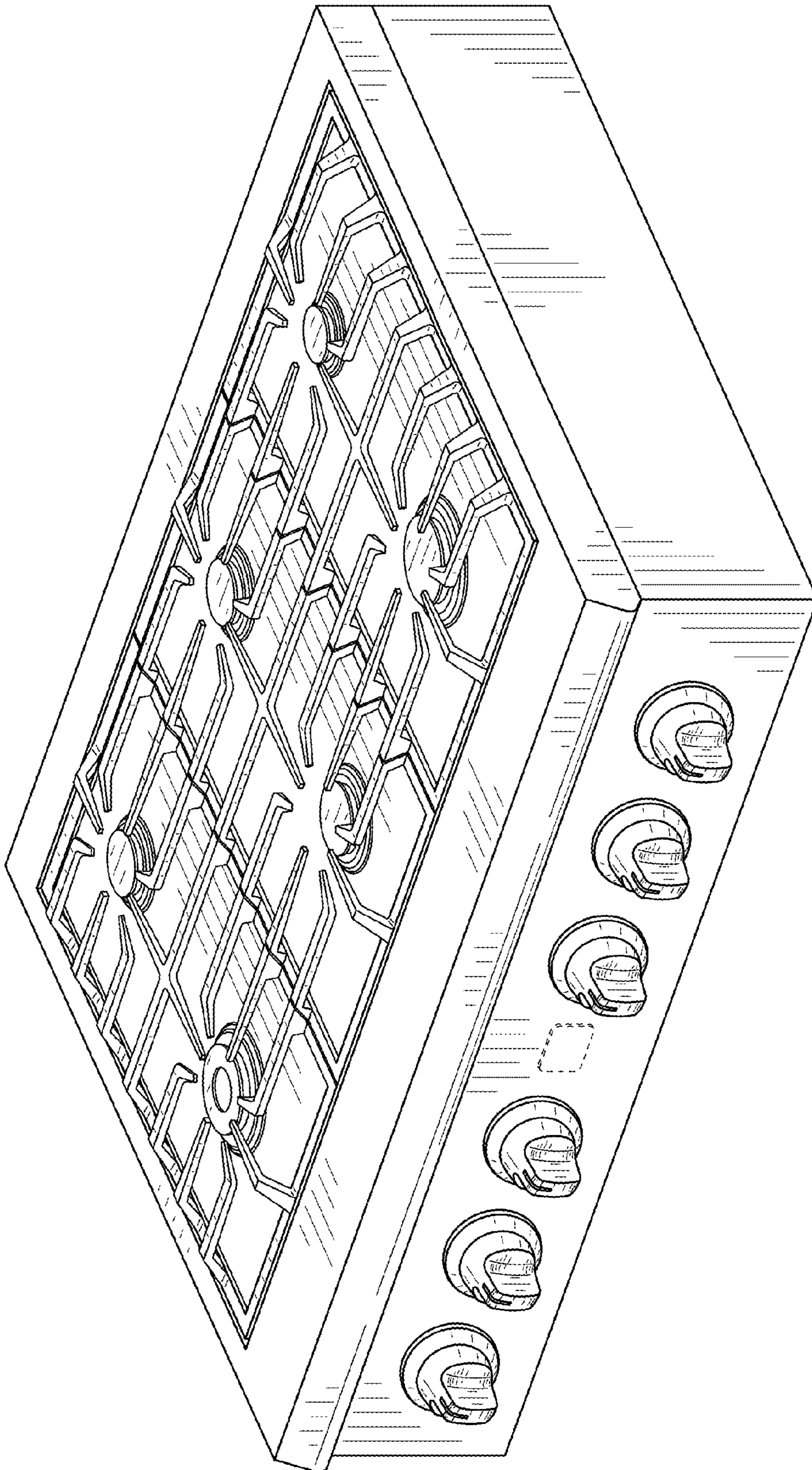


FIG. 1

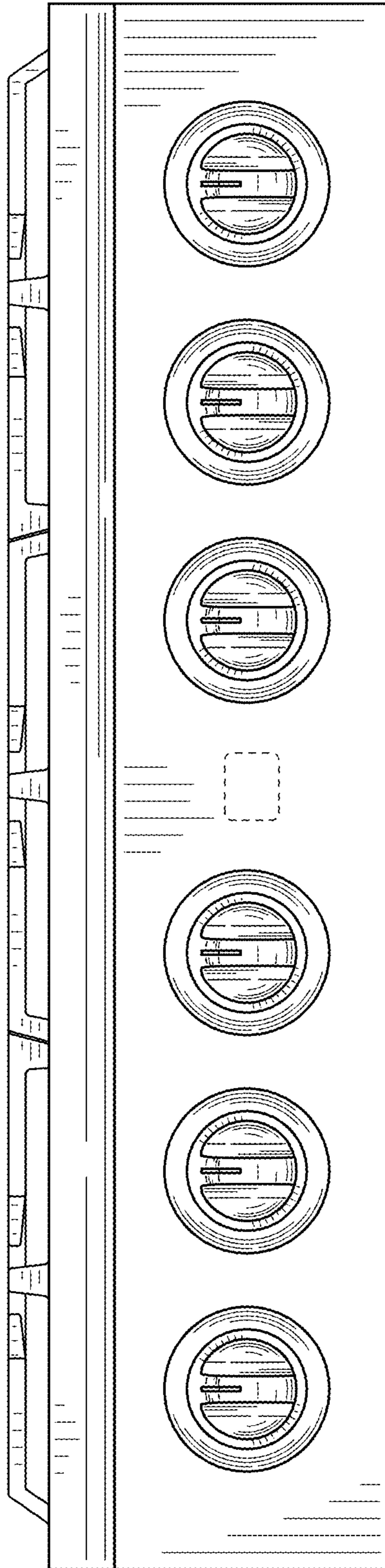


FIG. 2

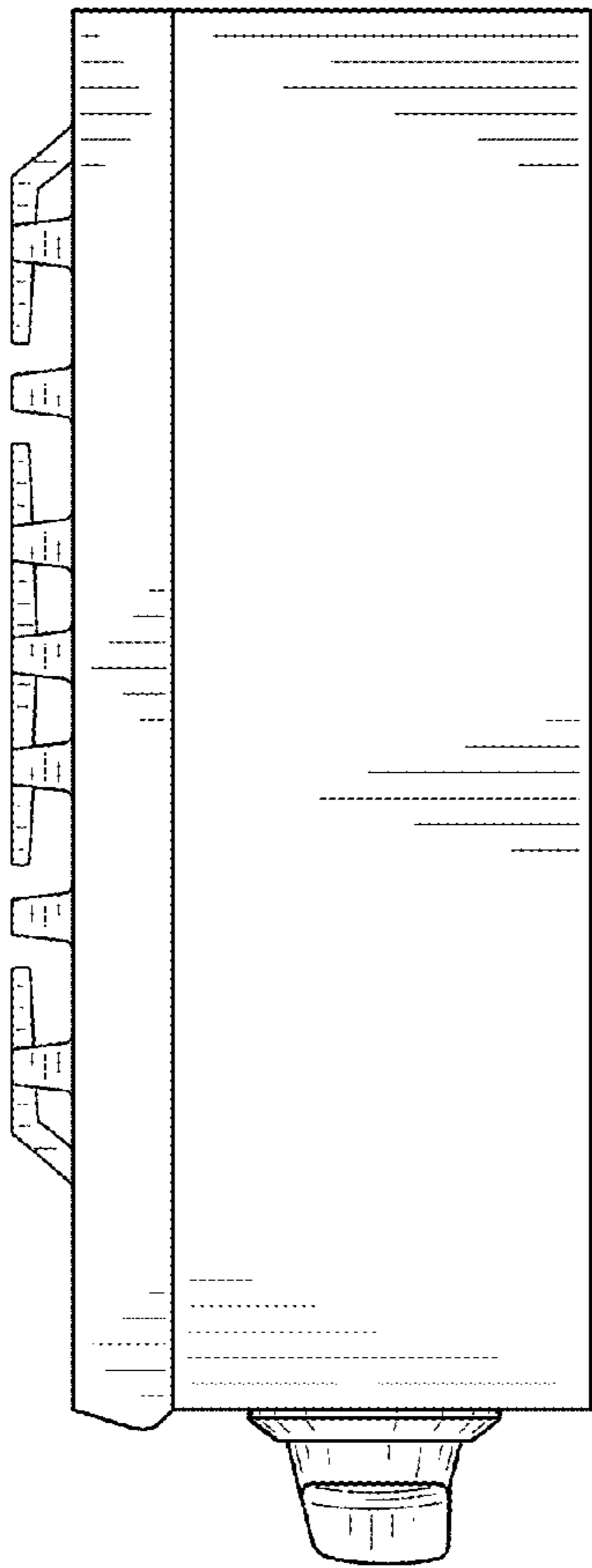


FIG. 3

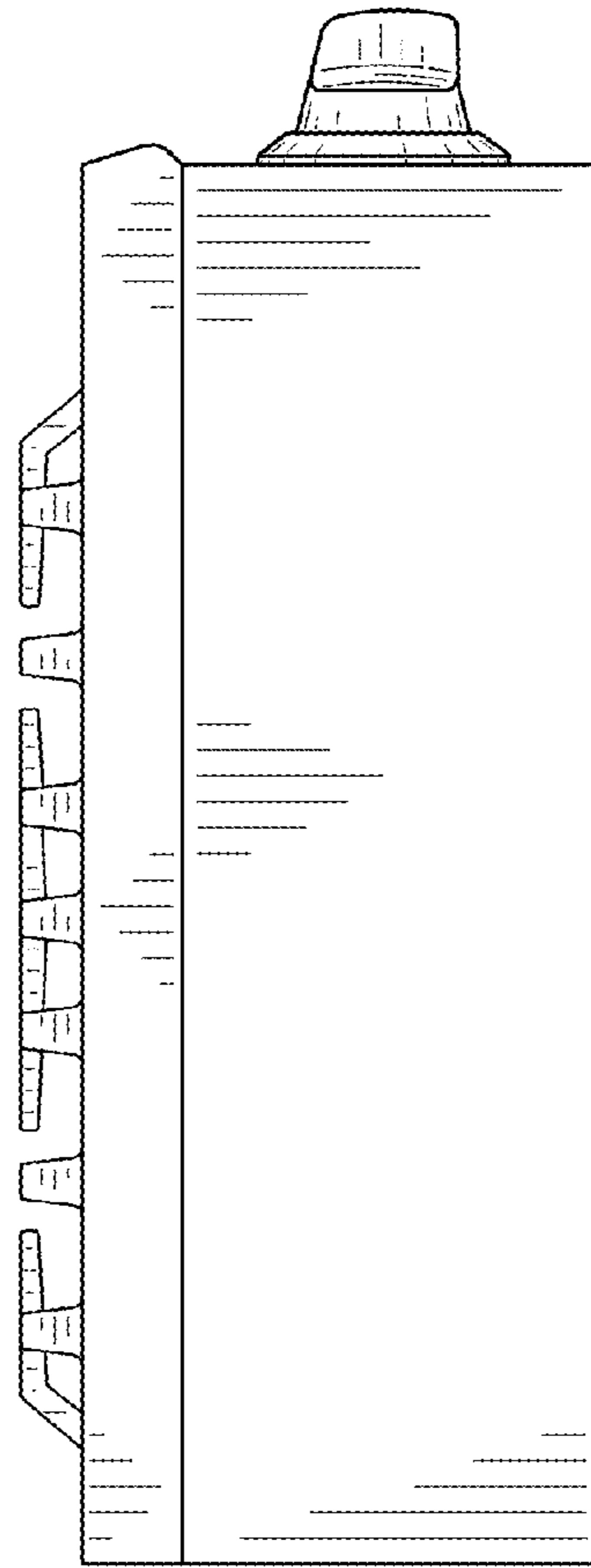


FIG. 4

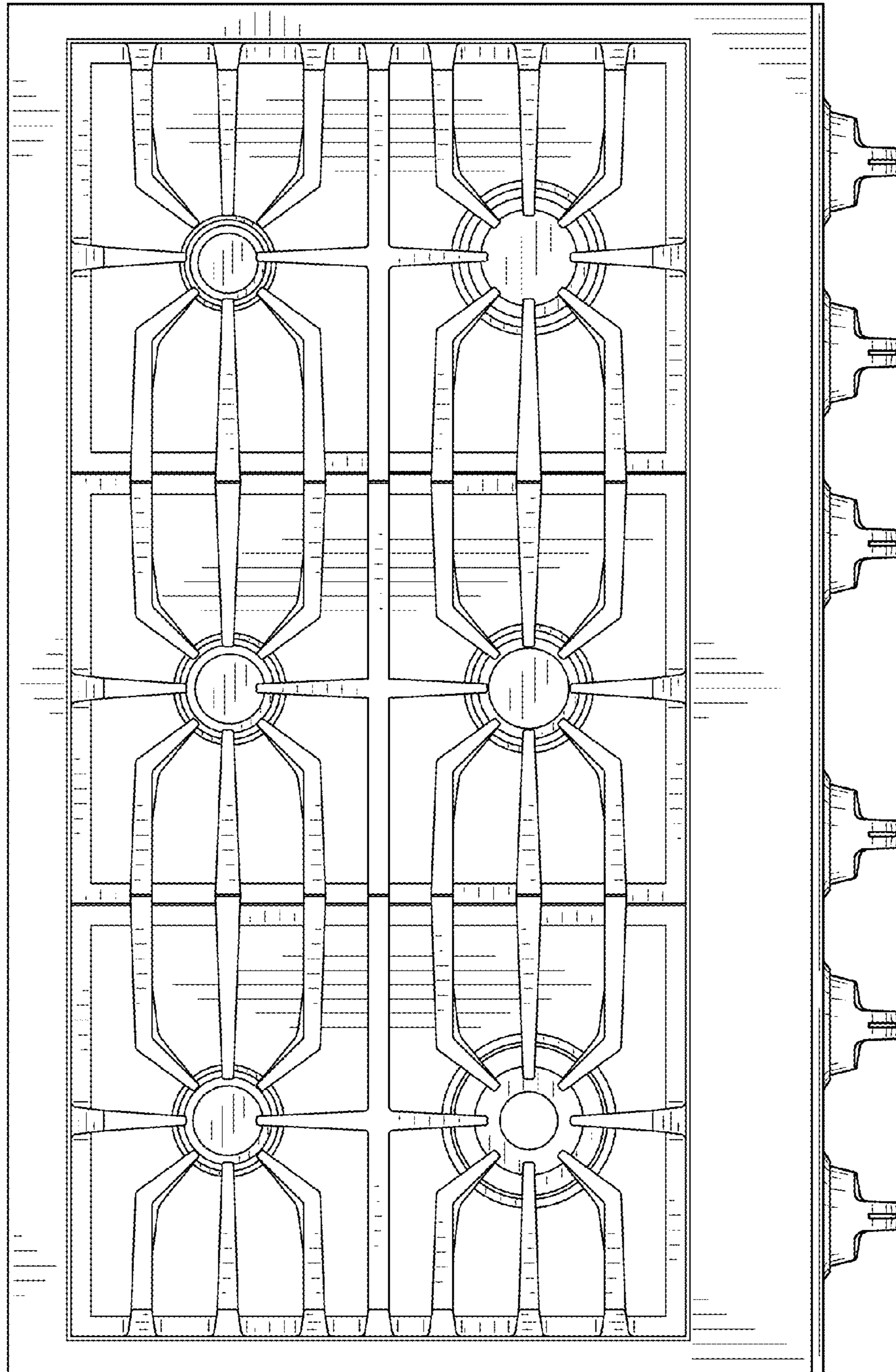


FIG. 5