



US00D767323S

(12) **United States Design Patent**
Kucinic

(10) **Patent No.:** **US D767,323 S**

(45) **Date of Patent:** **** Sep. 27, 2016**

(54) **AUTOMOBILE FENDER SHAPED SET OF CHAIR SIDES**

(71) Applicant: **Paul Matthew Kucinic**, Wyano, PA (US)

(72) Inventor: **Paul Matthew Kucinic**, Wyano, PA (US)

(**) Term: **14 Years**

(21) Appl. No.: **29/506,064**

(22) Filed: **Oct. 13, 2014**

(51) **LOC (10) Cl.** **06-01**

(52) **U.S. Cl.**
USPC **D6/717; D6/358**

(58) **Field of Classification Search**
USPC D6/334-336, 356, 358, 367, 371, 373, D6/716, 716.1, 716.2, 716.4, 717
CPC A47C 4/02; A47C 4/03; A47C 5/04; A47C 7/021; A47C 7/18; A47C 7/24
See application file for complete search history.

(56) **References Cited**

U.S. PATENT DOCUMENTS

D383,008 S * 9/1997 Blaesing D6/358
D440,780 S * 4/2001 Bradt D6/358

D452,780 S * 1/2002 Hanagan D6/358
D539,051 S * 3/2007 Dehli D6/367
D541,064 S * 4/2007 Miller D6/367
D577,922 S * 10/2008 Boisieux D6/356
D662,340 S * 6/2012 Tran D6/717
D699,960 S * 2/2014 Potter D6/367
D756,676 S * 5/2016 George, II D6/371

* cited by examiner

Primary Examiner — Mimoso De

(74) *Attorney, Agent, or Firm* — Dunlap Bennett & Ludwig PLLC

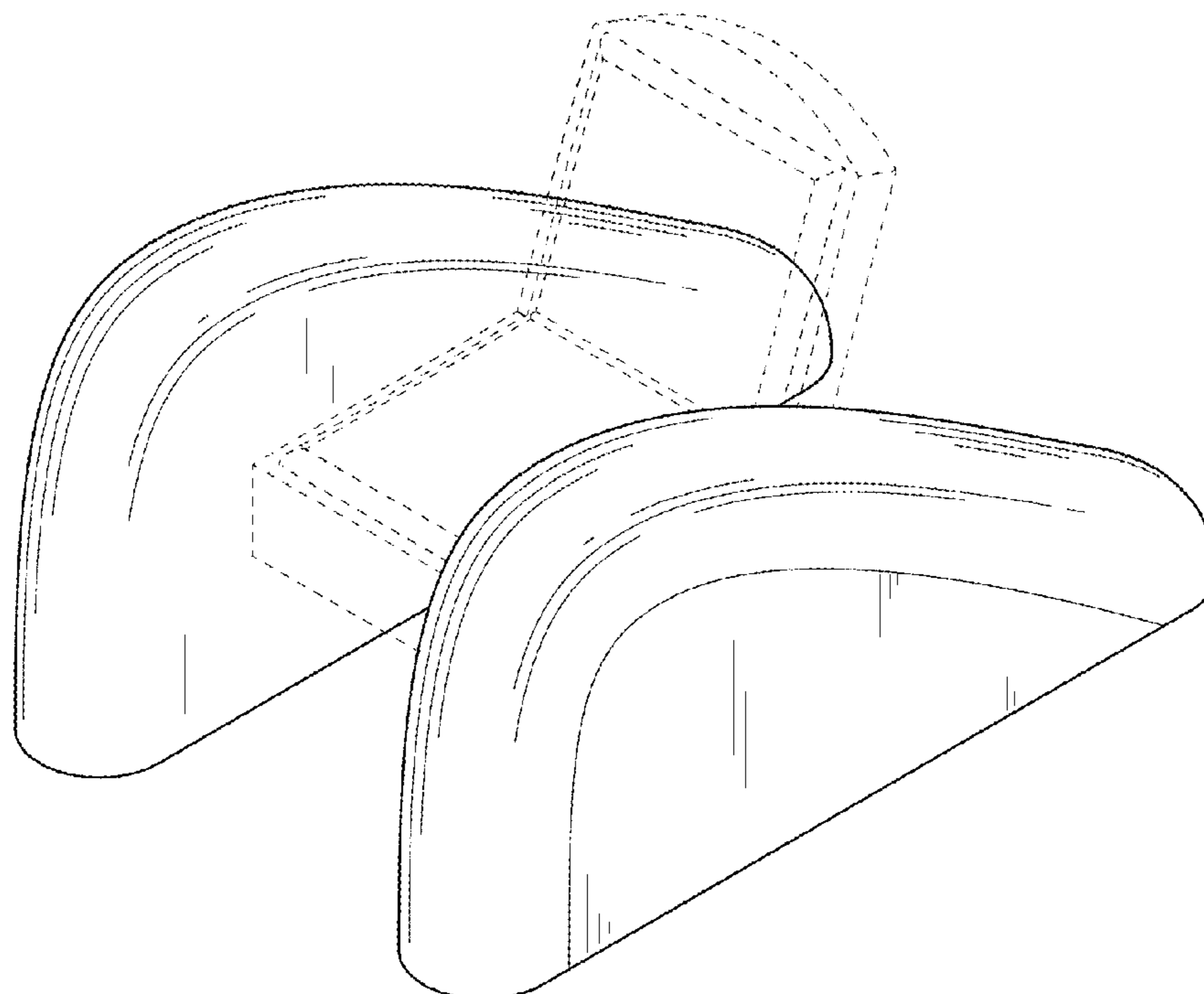
(57) **CLAIM**

The ornamental design for an automobile fender shaped set of chair sides, as shown and described.

DESCRIPTION

FIG. 1 is a perspective front view of an automobile fender shaped set of chair sides;
FIG. 2 is a front elevation view thereof;
FIG. 3 is a rear elevation view thereof;
FIG. 4 is a left side elevation view thereof; the right side elevation view being a mirror image thereof;
FIG. 5 is a top plan view thereof; and,
FIG. 6 is a bottom plan view thereof.
The broken lines shown in the drawings that illustrate a seat portion of a chair form no part of the claimed design.

1 Claim, 3 Drawing Sheets



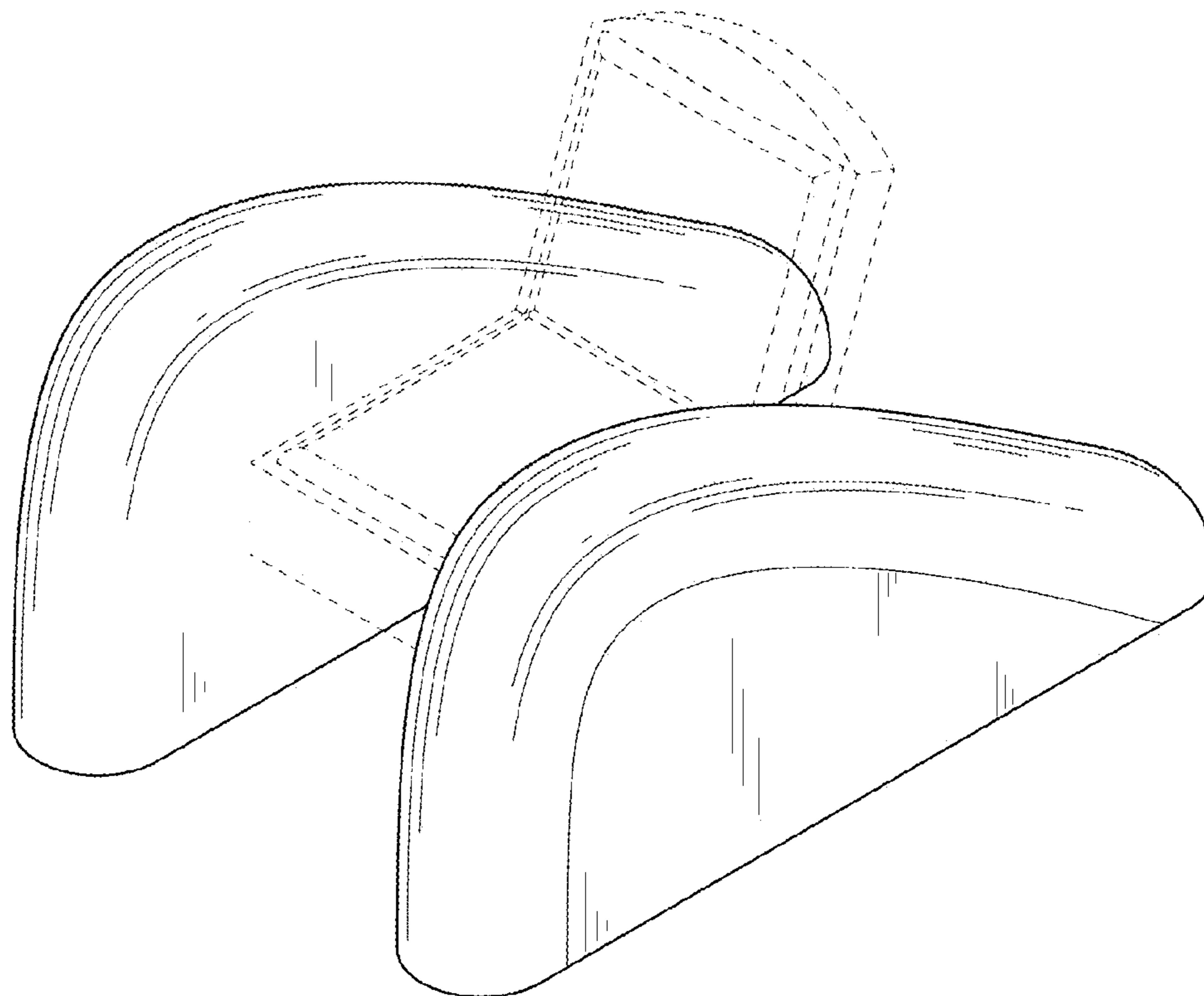


FIG. 1

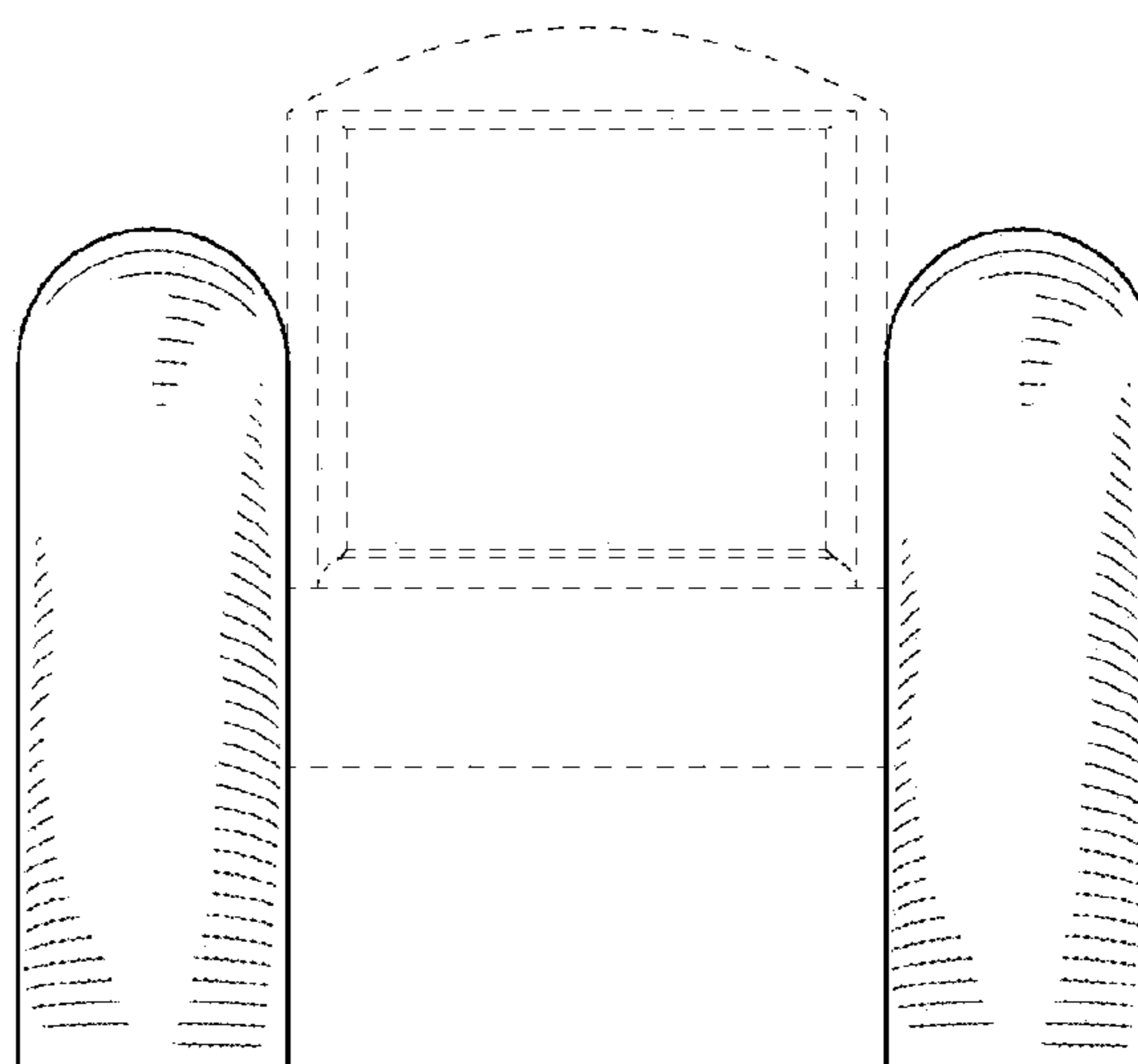


FIG. 2

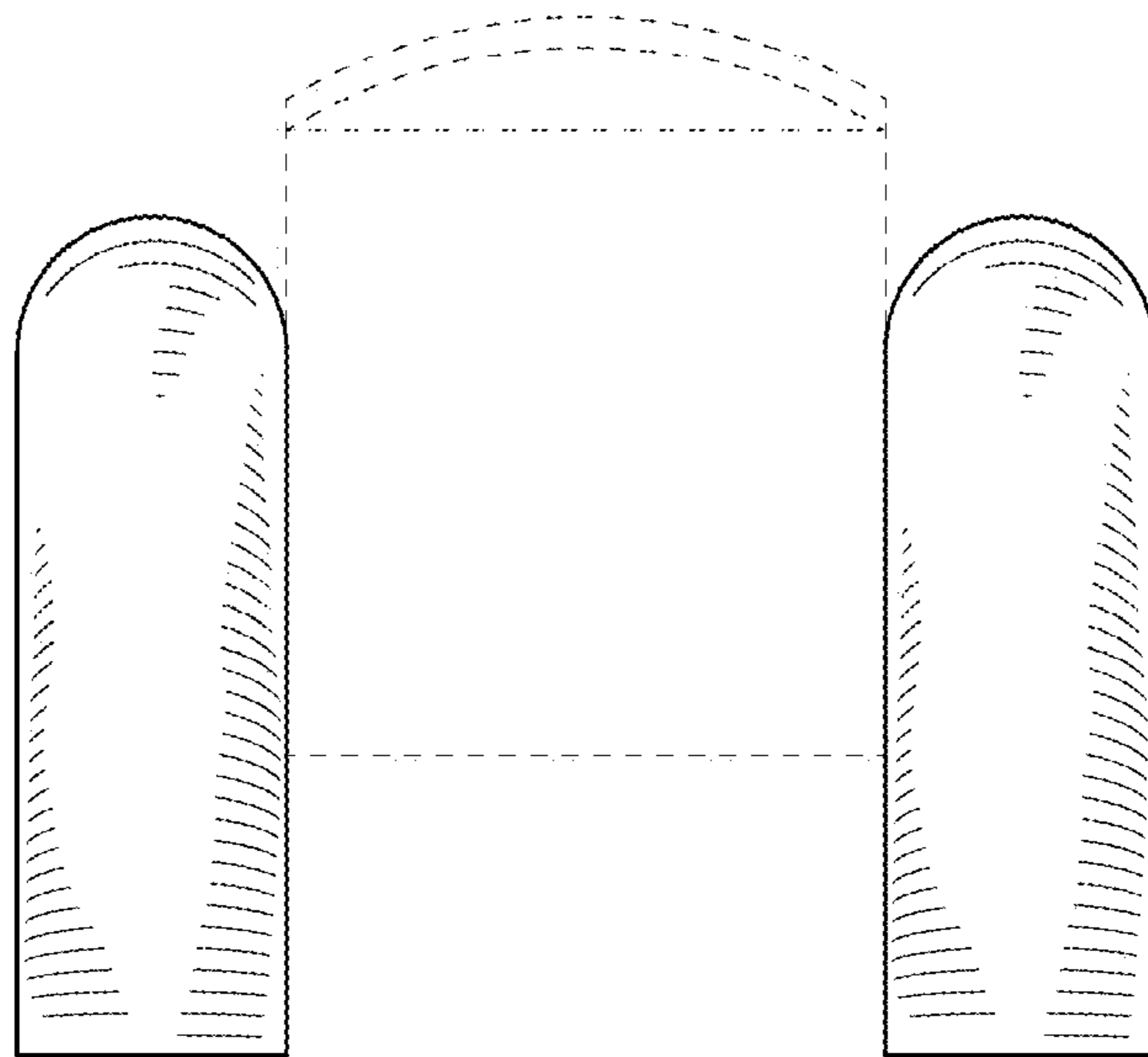


FIG. 3

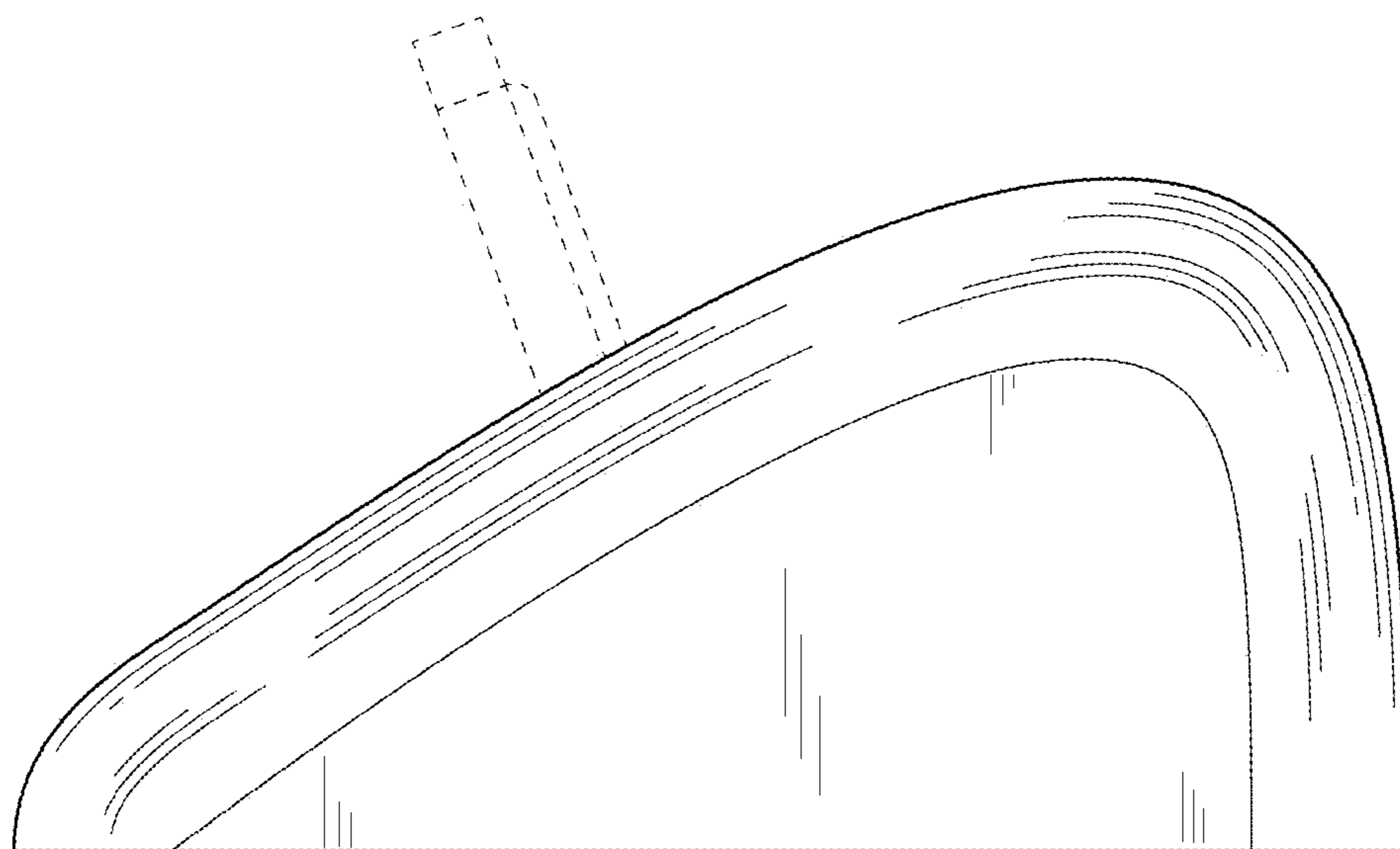


FIG. 4

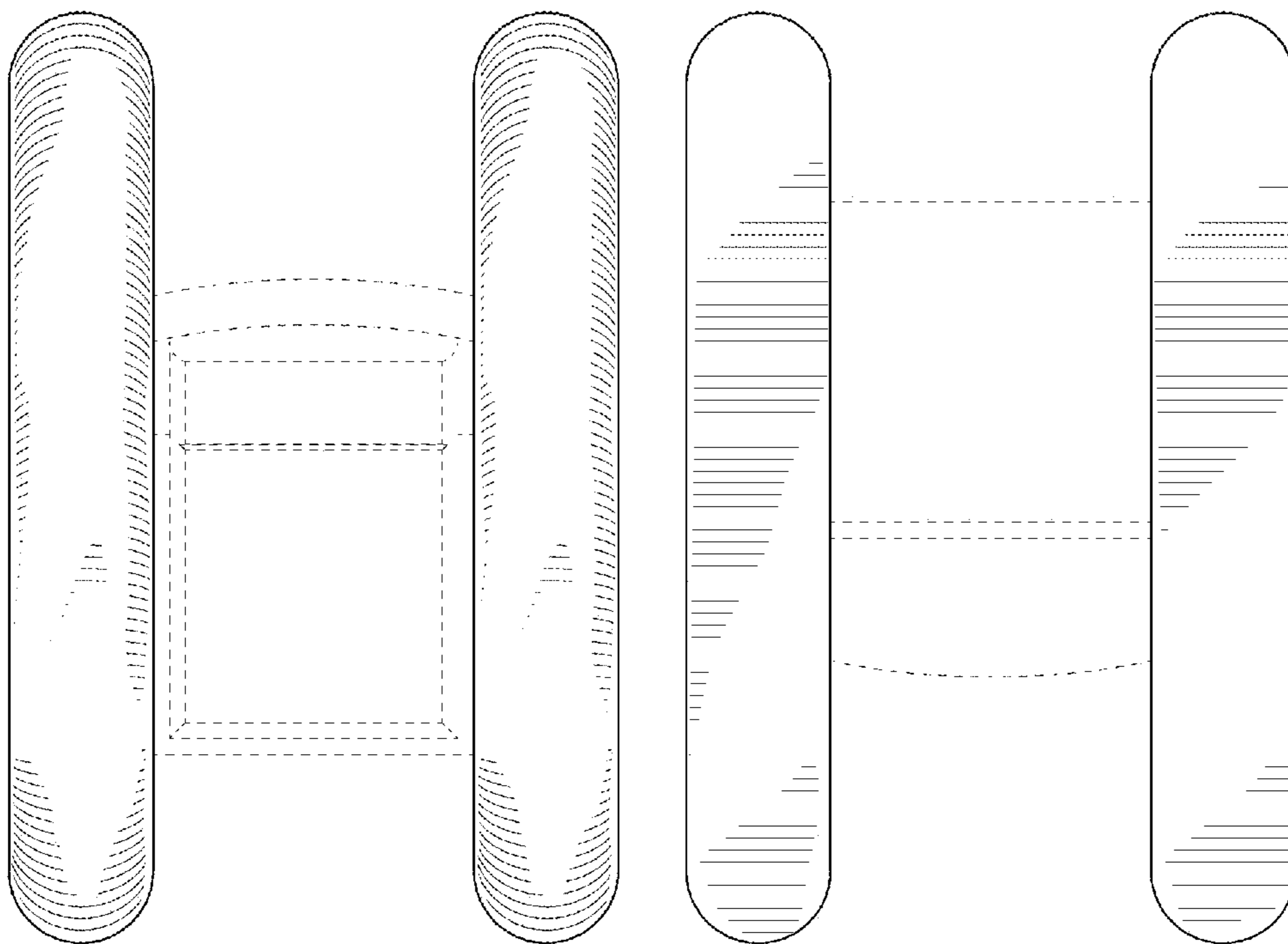


FIG. 5

FIG. 6