

US00D767320S

(12) **United States Design Patent**  
**Xingchang**

(10) **Patent No.:** **US D767,320 S**

(45) **Date of Patent:** **\*\* Sep. 27, 2016**

(54) **CHAIR BACK**

(71) Applicant: **Yang Xingchang**, Foshan (CN)

(72) Inventor: **Yang Xingchang**, Foshan (CN)

(\*\*) Term: **15 Years**

(21) Appl. No.: **29/533,493**

(22) Filed: **Jul. 17, 2015**

(51) **LOC (10) Cl.** ..... **06-01**

(52) **U.S. Cl.**

USPC ..... **D6/716.4**

(58) **Field of Classification Search**

USPC ..... D6/364-368, 374, 716; 297/284.4,  
297/344.19, 353, 411.2, 452.18, 452.24,  
297/452.26, 452.28, 452.32-33, 452.37

CPC ..... A47C 7/02; A47C 7/44; A47C 7/46;  
A47C 7/48; A47C 7/54; A47C 7/386; A47C  
7/462; A47C 1/10; A47C 1/031; B60N 2/02;  
B60N 2/22; B60N 2/44

See application file for complete search history.

(56) **References Cited**

**U.S. PATENT DOCUMENTS**

6,910,741 B2 *	6/2005	Footitt	.....	A47C 1/023 297/284.4
D580,198 S *	11/2008	Wu	.....	D6/366
D596,884 S *	7/2009	Wen	.....	D6/366
D641,573 S *	7/2011	Tsai	.....	D6/716.4
D667,244 S *	9/2012	Su	.....	D6/716.4
D669,286 S *	10/2012	Pan	.....	D6/716.4
D687,660 S *	8/2013	Hsuan-Chin	.....	D6/366
D703,966 S *	5/2014	Wu	.....	D6/366

D706,068 S *	6/2014	Tsai	.....	D6/716.4
D708,882 S *	7/2014	Hsuan-Chin	.....	D6/716.4
D724,367 S *	3/2015	Sander	.....	D6/366
D724,880 S *	3/2015	Tsai	.....	D6/716.4
D724,881 S *	3/2015	Tsai	.....	D6/716.4
D750,911 S *	3/2016	Su	.....	D6/366
D755,532 S *	5/2016	Su	.....	D6/366

\* cited by examiner

*Primary Examiner* — Manpreet Matharu

*Assistant Examiner* — Keith Wilson

(74) *Attorney, Agent, or Firm* — Omid E. Khalifeh; Omni Legal Group

(57) **CLAIM**

The ornamental design for a chair back, as shown and described.

**DESCRIPTION**

FIG. 1 is a perspective view of a chair back according to the present invention;

FIG. 2 is a front view of a chair back according to the present invention;

FIG. 3 is a rear view of a chair back according to the present invention;

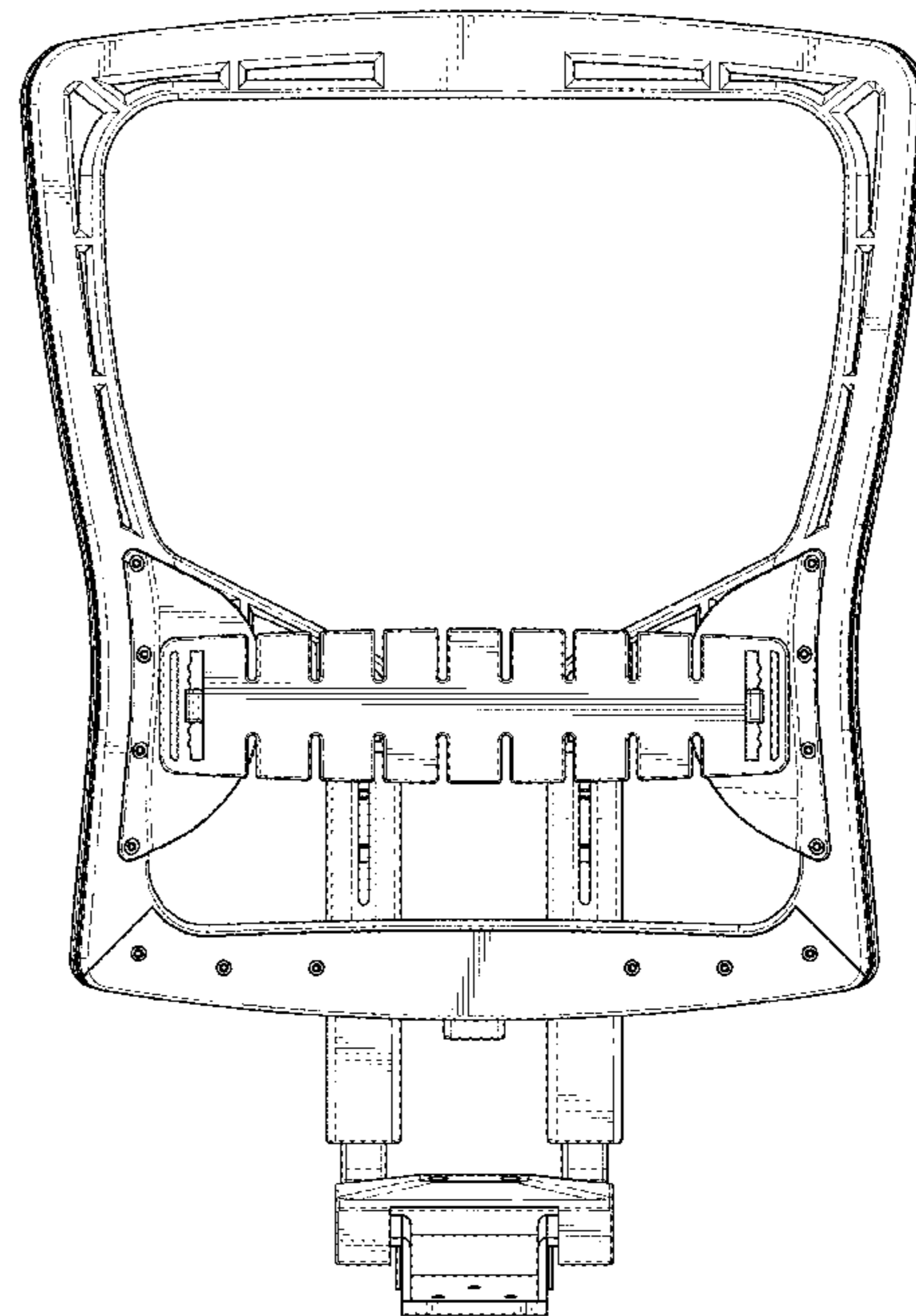
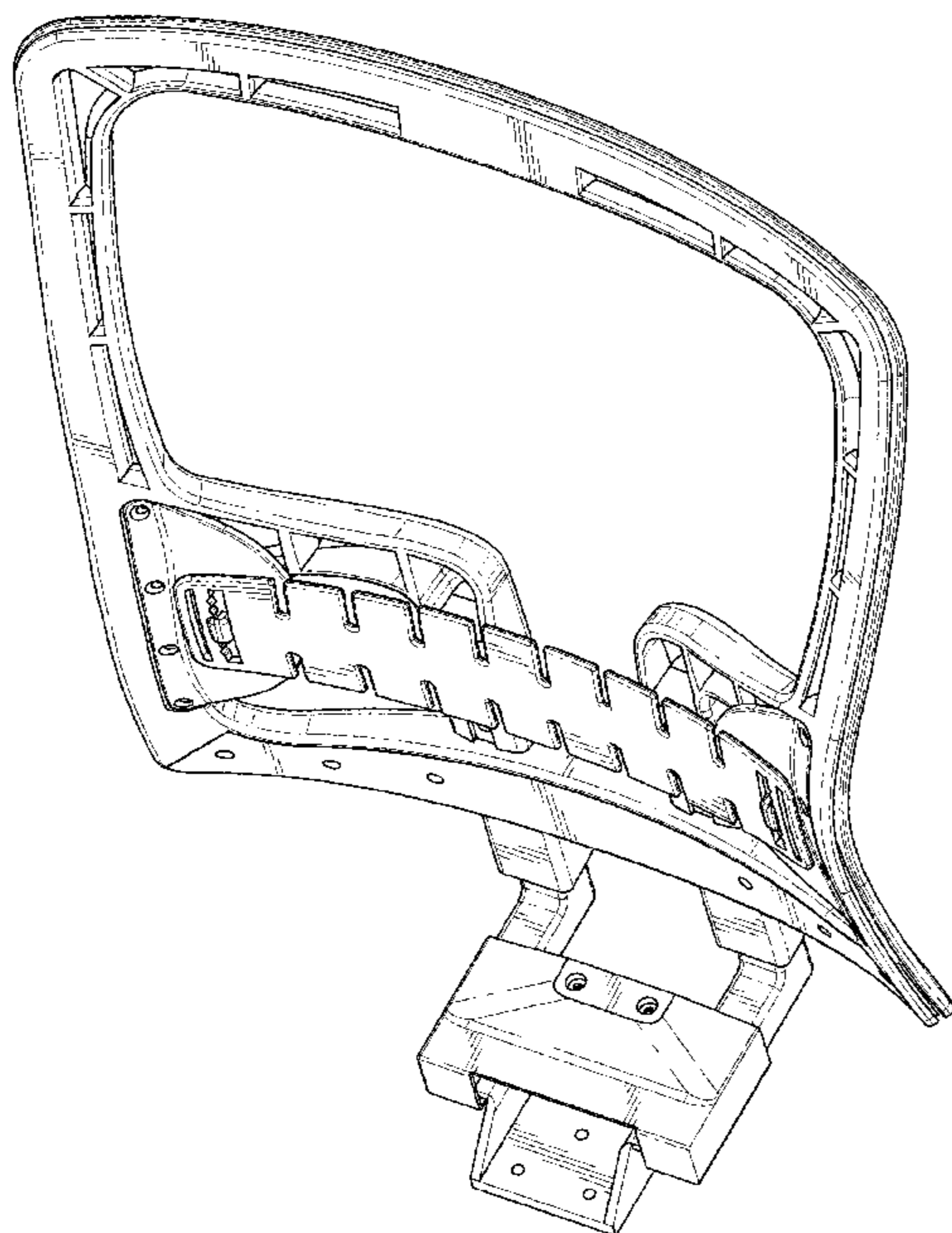
FIG. 4 is a right-side profile view of a chair back according to the present invention;

FIG. 5 is a left-side profile view of a chair back according to the present invention;

FIG. 6 is a top plan view of a chair back according to the present invention; and,

FIG. 7 is a bottom plan view of a chair back according to the present invention.

**1 Claim, 5 Drawing Sheets**



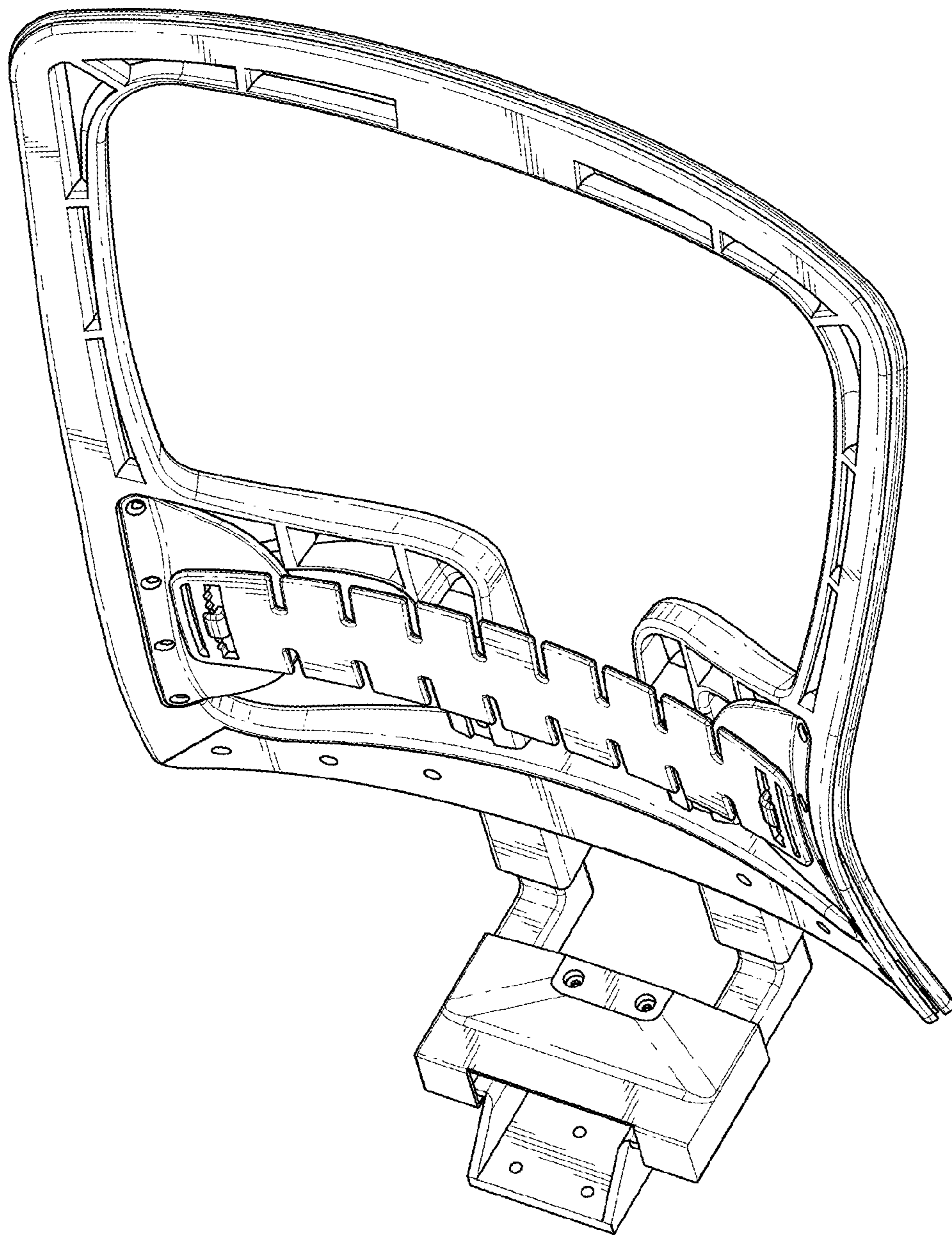


FIG. 1

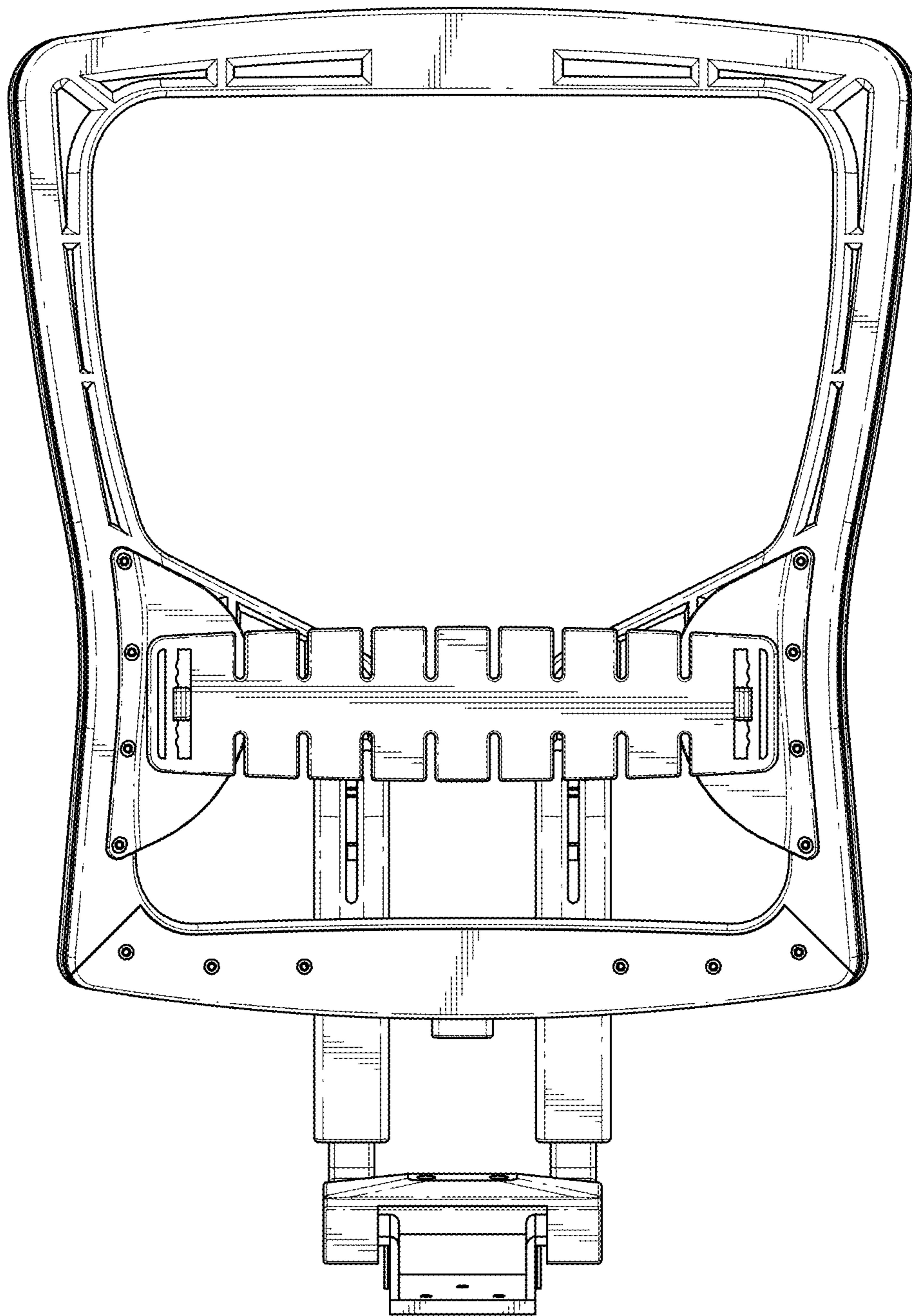


FIG. 2

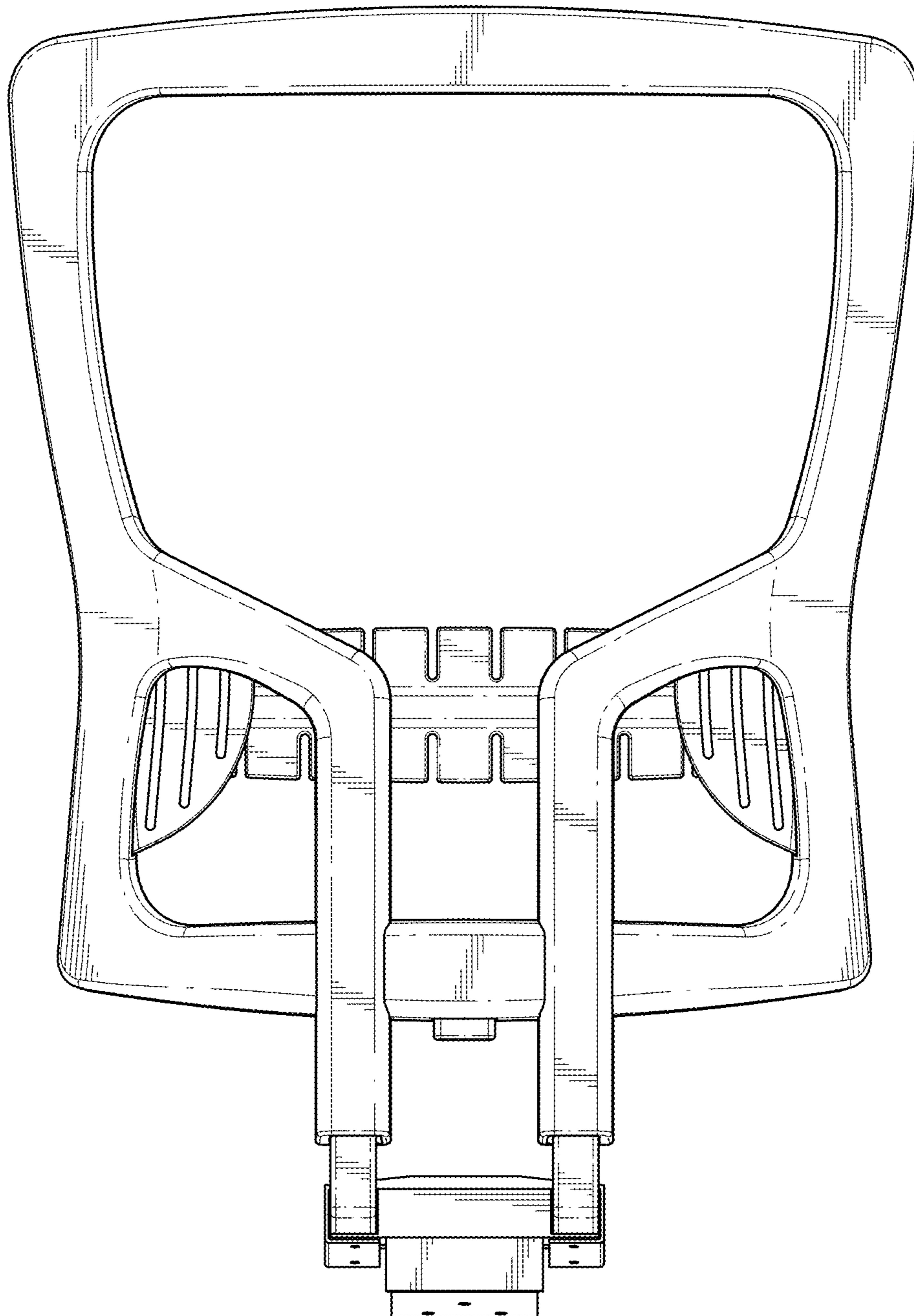


FIG. 3

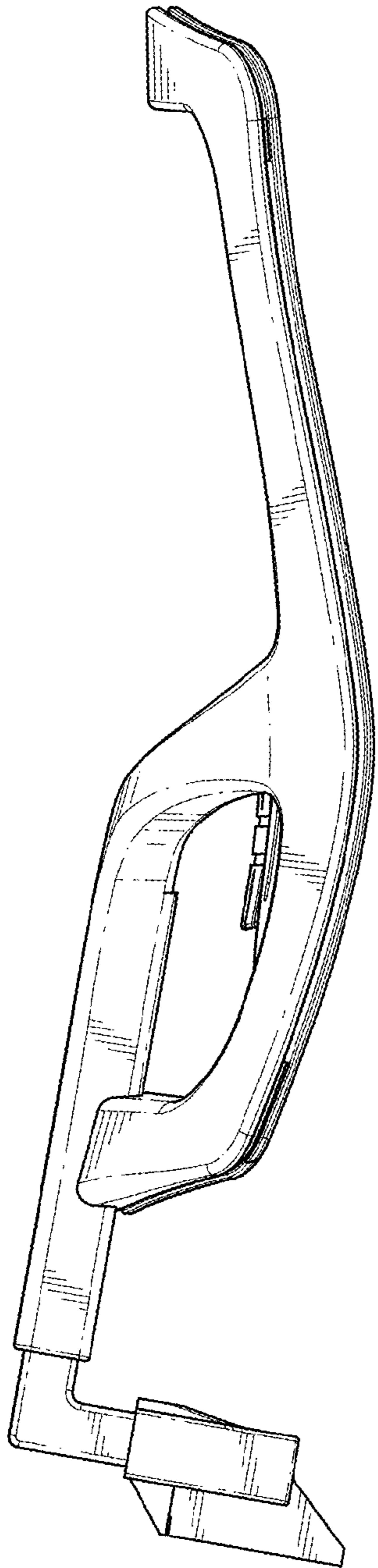


FIG. 4

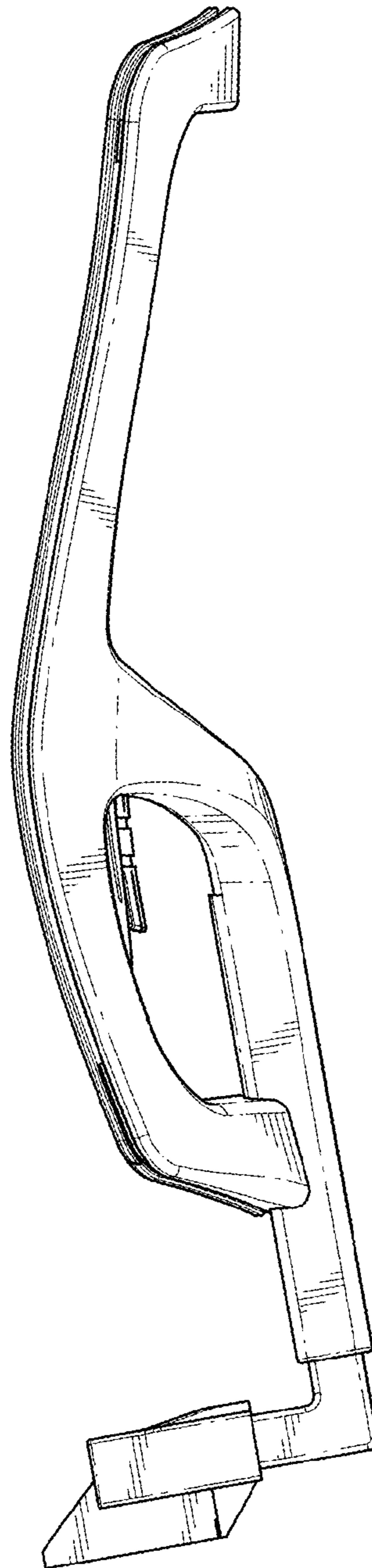


FIG. 5

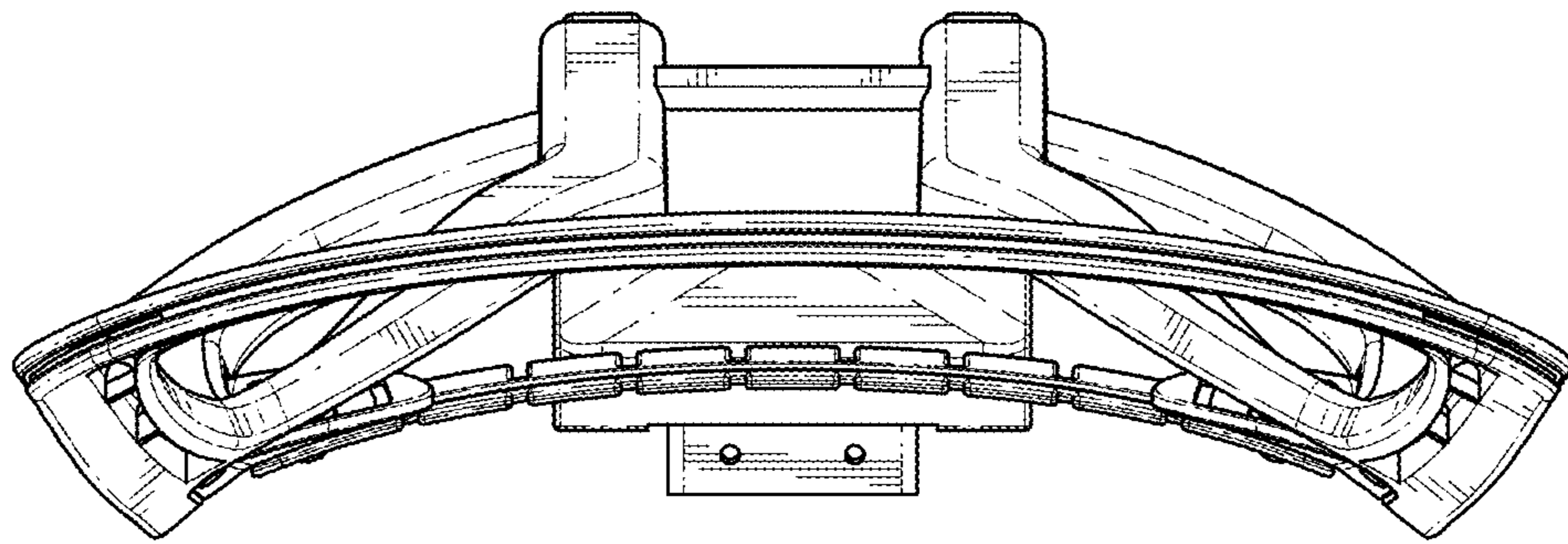


FIG. 6

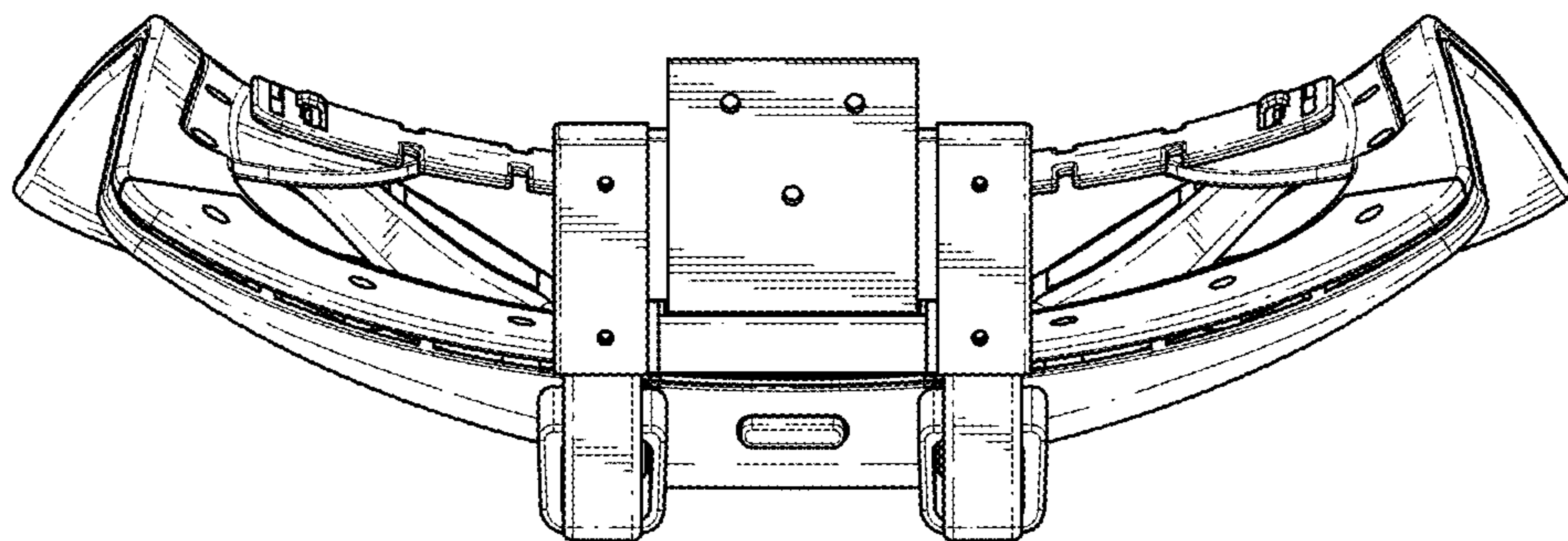


FIG. 7