



US00D767319S

(12) **United States Design Patent** (10) **Patent No.:** **US D767,319 S**
Kubryk (45) **Date of Patent:** **** Sep. 27, 2016**

- (54) **TASK CHAIR**
- (71) Applicant: **Isaac Kubryk**, Lockeford, CA (US)
- (72) Inventor: **Isaac Kubryk**, Lockeford, CA (US)
- (73) Assignee: **Global Allies, LLC**, Lockeford, CA (US)
- (**) Term: **14 Years**
- (21) Appl. No.: **29/522,482**
- (22) Filed: **Mar. 31, 2015**
- (51) **LOC (10) Cl.** **06-01**
- (52) **U.S. Cl.**
USPC **D6/716**
- (58) **Field of Classification Search**
USPC D6/334-336, 364, 365, 366, 371-375,
D6/379, 380, 716, 716.1, 716.2, 716.4
CPC A47C 4/02; A47C 4/03; A47C 7/18;
A47C 3/12; A47C 5/12; A47C 7/54
See application file for complete search history.

D402,480 S *	12/1998	Stafford	D6/366
D460,885 S *	7/2002	Silva	D6/716
D654,732 S *	2/2012	Kubryk	D6/366
D730,670 S *	6/2015	Kubryk	D6/716
D731,830 S *	6/2015	Kubryk	D6/716

* cited by examiner

Primary Examiner — Mimoso De

(74) *Attorney, Agent, or Firm* — Audrey A. Millemann; Weintraub Tobin

(57) **CLAIM**

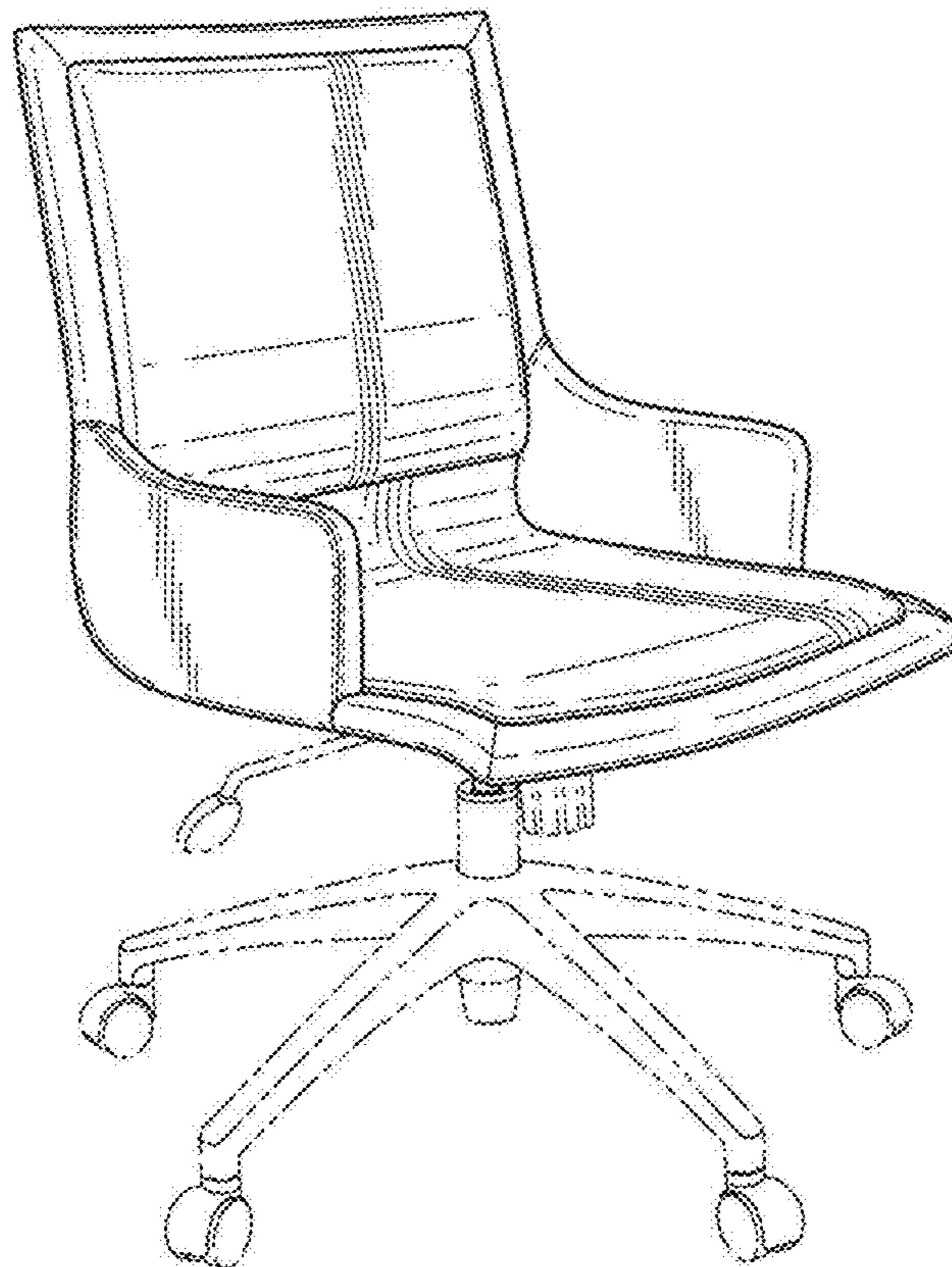
The ornamental design for a task chair, as shown and described.

DESCRIPTION

FIG. 1 is a perspective view of a task chair, looking toward the right front corner, showing my new design;
 FIG. 2 is a front view thereof;
 FIG. 3 is a right side view thereof;
 FIG. 4 is a back view thereof;
 FIG. 5 is a top view thereof; and,
 FIG. 6 is a bottom view thereof.
 The broken lines shown in the drawing are for illustrative purposes only and form no part of the claimed design.
 The short even dashed lines shown on the armrest panels in FIGS. 1, 2, 3, and 5 are understood to represent stitching.

1 Claim, 5 Drawing Sheets

- (56) **References Cited**
U.S. PATENT DOCUMENTS
D233,809 S * 12/1974 Platner D6/366
D236,302 S * 8/1975 Prizlow D6/366



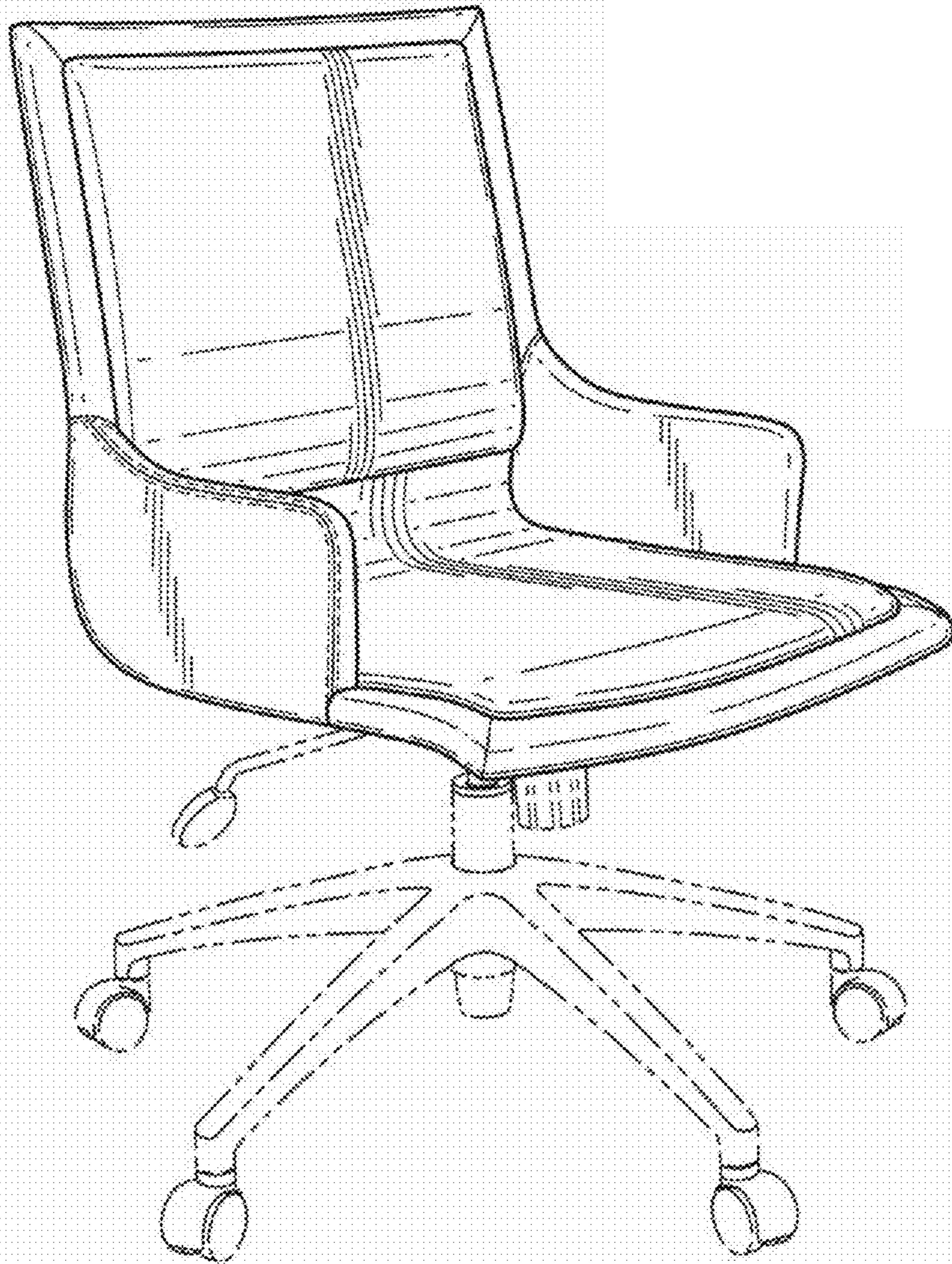


FIG. 1

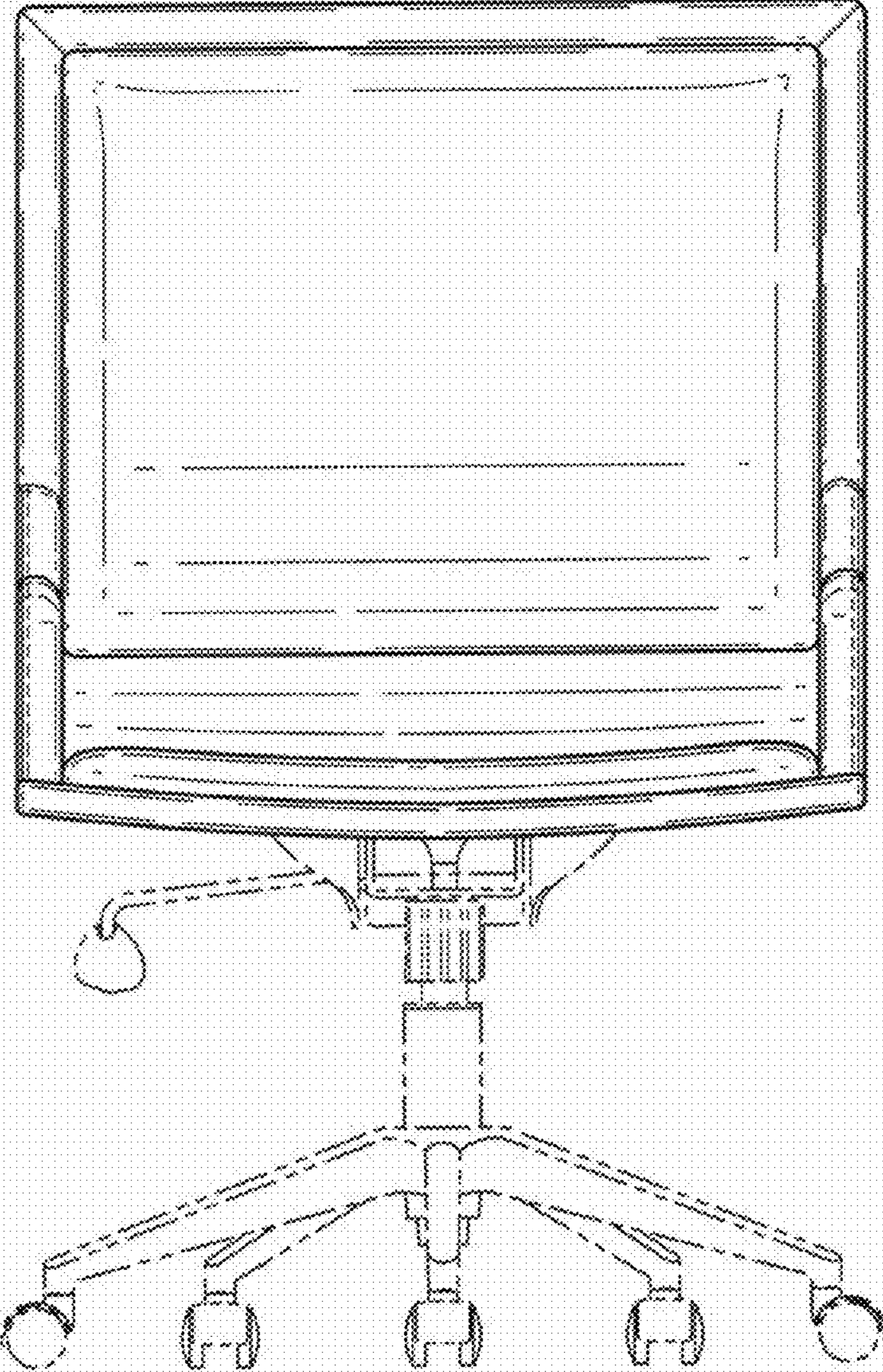


FIG. 2

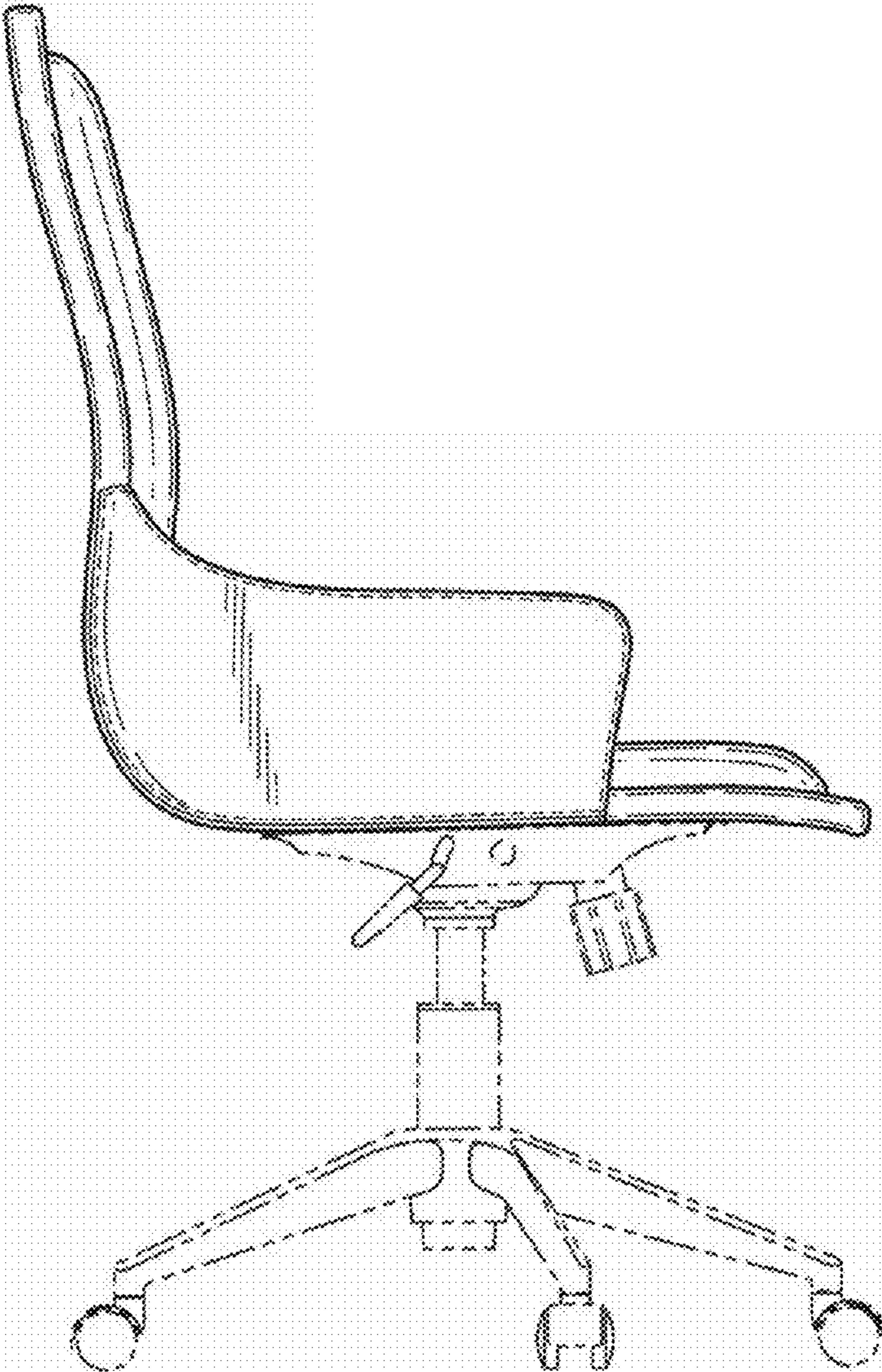


FIG. 3

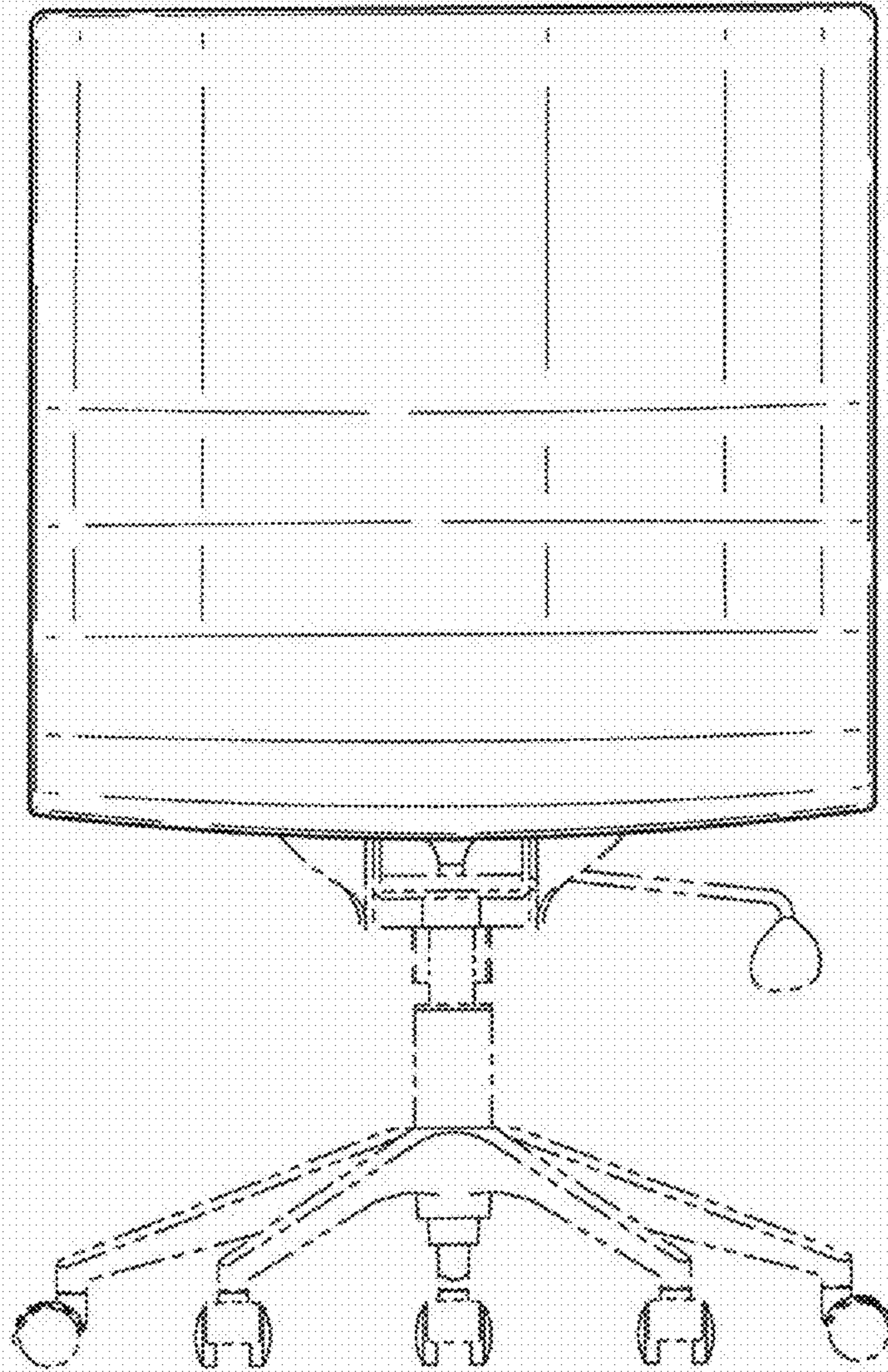


FIG. 4

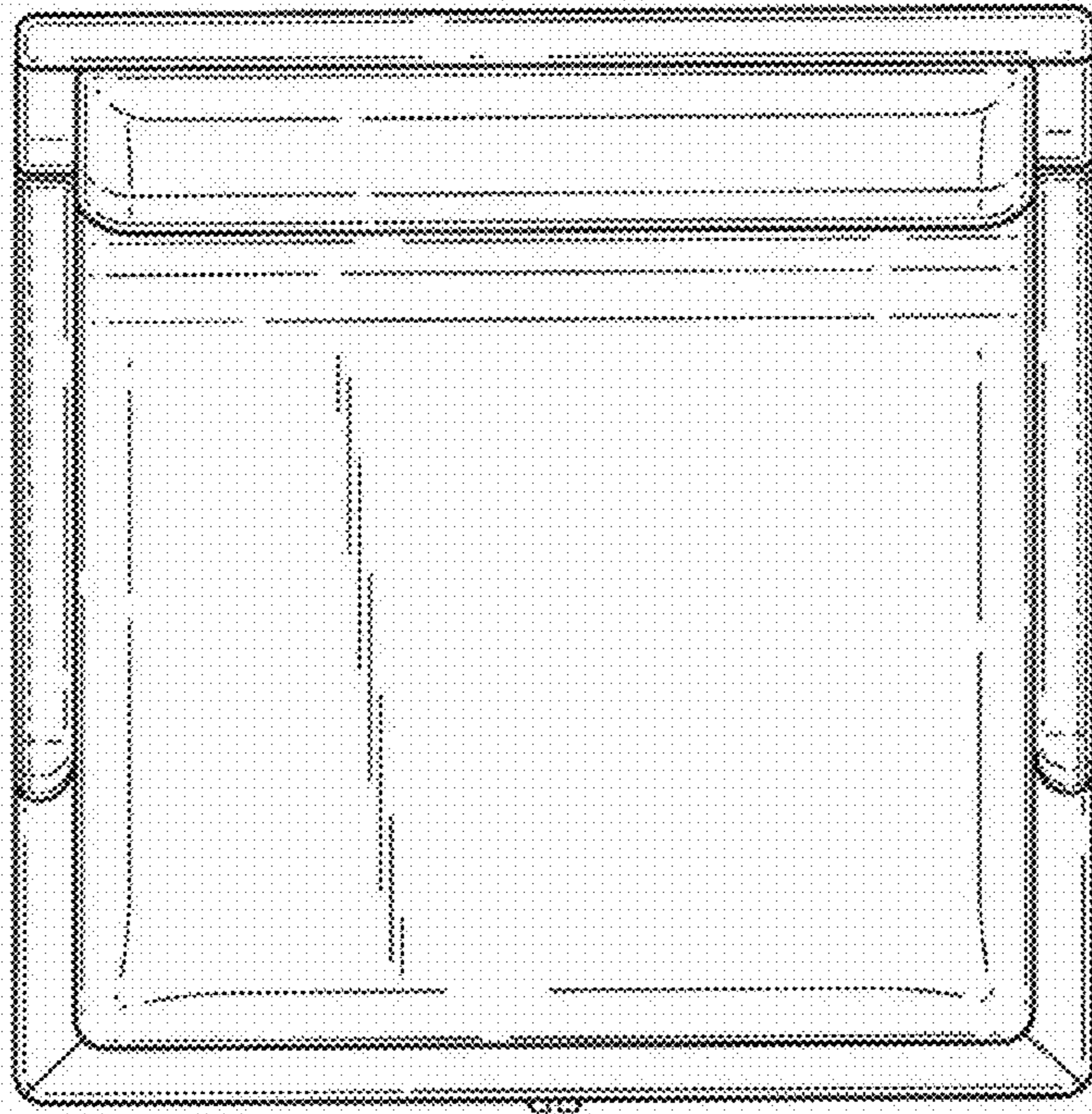


FIG. 5

FIG. 6

