



US00D767316S

(12) **United States Design Patent**
Van Huystee et al.

(10) **Patent No.:** **US D767,316 S**
(45) **Date of Patent:** **** Sep. 27, 2016**

(54) **FRAME FOR AN INFANT SUPPORT STRUCTURE**

(71) Applicant: **Mattel, Inc.**, El Segundo, CA (US)

(72) Inventors: **Maarten Van Huystee**, Lancaster, NY (US); **Seth Galley**, East Aurora, NY (US)

(73) Assignee: **Mattel, Inc.**, El Segundo, CA (US)

(**) Term: **15 Years**

(21) Appl. No.: **29/546,616**

(22) Filed: **Nov. 24, 2015**

(51) **LOC (10) Cl.** **06-01**

(52) **U.S. Cl.**
USPC **D6/715**

(58) **Field of Classification Search**
USPC D6/334-336, 344, 347, 348, 374, 375, D6/716, 716.1, 715
CPC A47D 13/00; A47D 13/02; A47D 13/10; A47D 13/102; A47D 13/105; A47D 13/107; A47D 9/02
See application file for complete search history.

(56) **References Cited**

U.S. PATENT DOCUMENTS

D101,632 S *	10/1936	Hoffmann	D6/348
D102,046 S *	11/1936	Wexelblatt	D6/348
D142,094 S *	8/1945	Kirpatrick	D6/344
D149,500 S *	5/1948	Hollander	297/271.5
D151,675 S *	11/1948	Bird	D6/348
5,178,438 A *	1/1993	Beger	A47D 13/105 297/271.6
D388,621 S *	1/1998	Reese	D6/348
D480,884 S *	10/2003	Kane	D6/348
D491,736 S *	6/2004	Kane	D6/348

6,811,217 B2 *	11/2004	Kane	A47D 13/102 297/271.6
7,506,922 B2 *	3/2009	Schulte	A47D 13/102 297/271.6
D603,614 S *	11/2009	Caggiano	D6/348
8,079,639 B2 *	12/2011	Zeng	A47D 13/102 297/131

* cited by examiner

Primary Examiner — Mimoso De
(74) *Attorney, Agent, or Firm* — Edell, Shapiro & Finnan, LLC

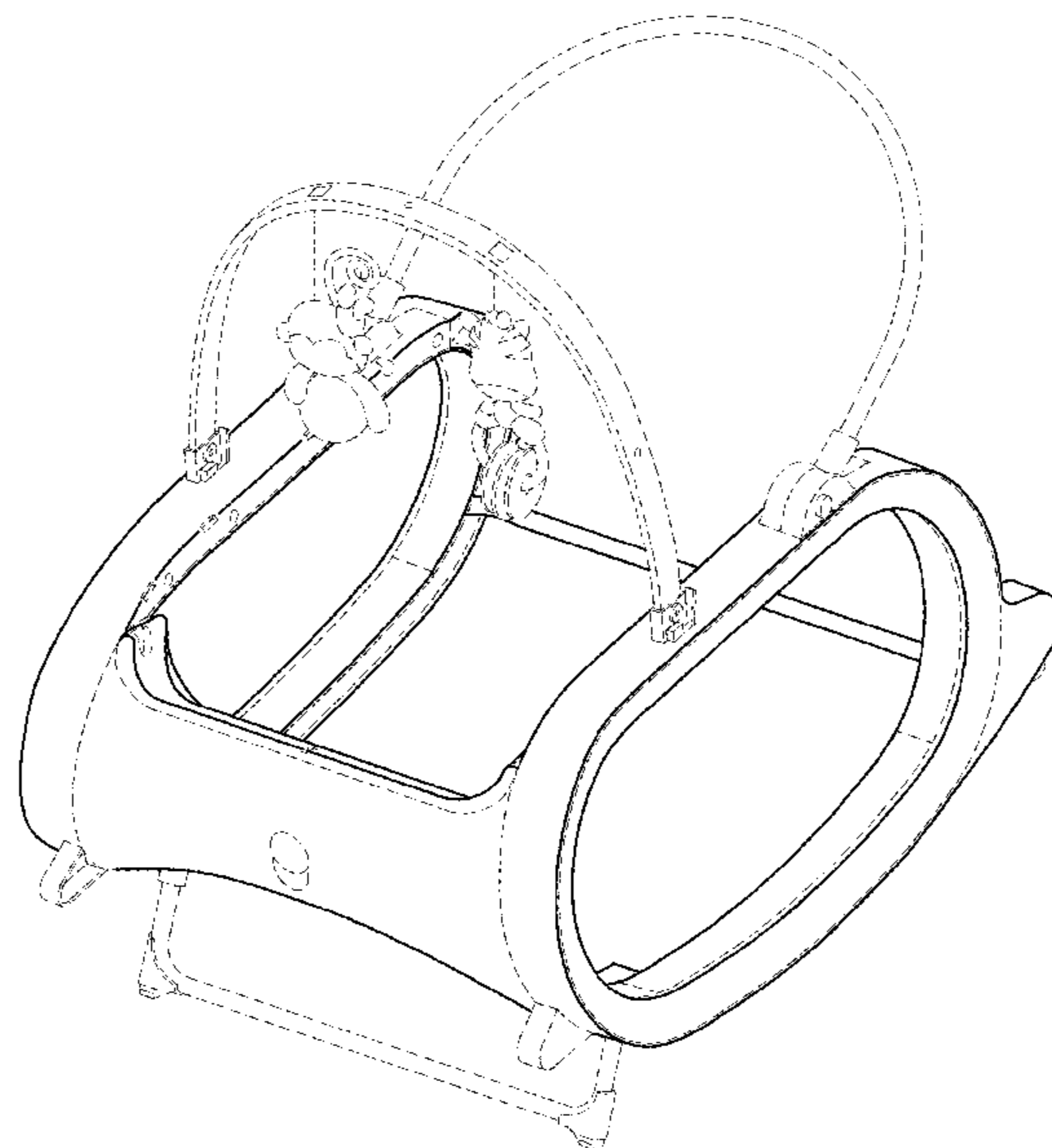
(57) **CLAIM**

The ornamental design for a frame for an infant support structure, as shown and described.

DESCRIPTION

FIG. 1 is a front perspective view of a frame for an infant support structure according to the present invention; FIG. 2 is a front view of the frame for an infant support structure of FIG. 1; FIG. 3 is a rear view of the frame for an infant support structure of FIG. 1; FIG. 4 is a top view of the frame for an infant support structure of FIG. 1; FIG. 5 is a bottom view of the frame for an infant support structure of FIG. 1; FIG. 6 is a left side view of the frame for an infant support structure of FIG. 1; and, FIG. 7 is a right side view of the frame for an infant support structure of FIG. 1. The broken lines shown in the figures are included for the purpose of illustrating the unclaimed portions of the article and form no part of the claimed design.

1 Claim, 7 Drawing Sheets



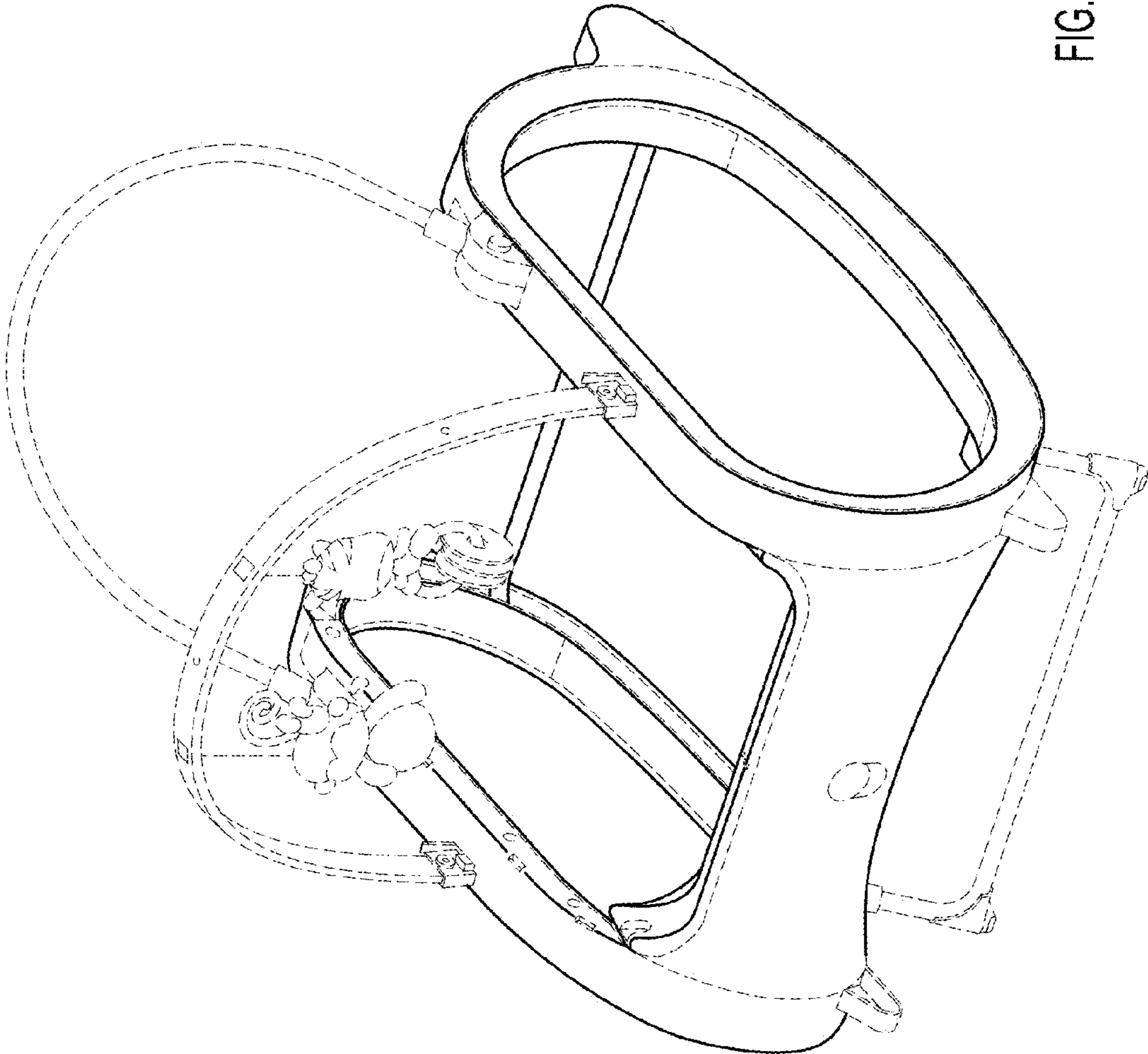


FIG.1

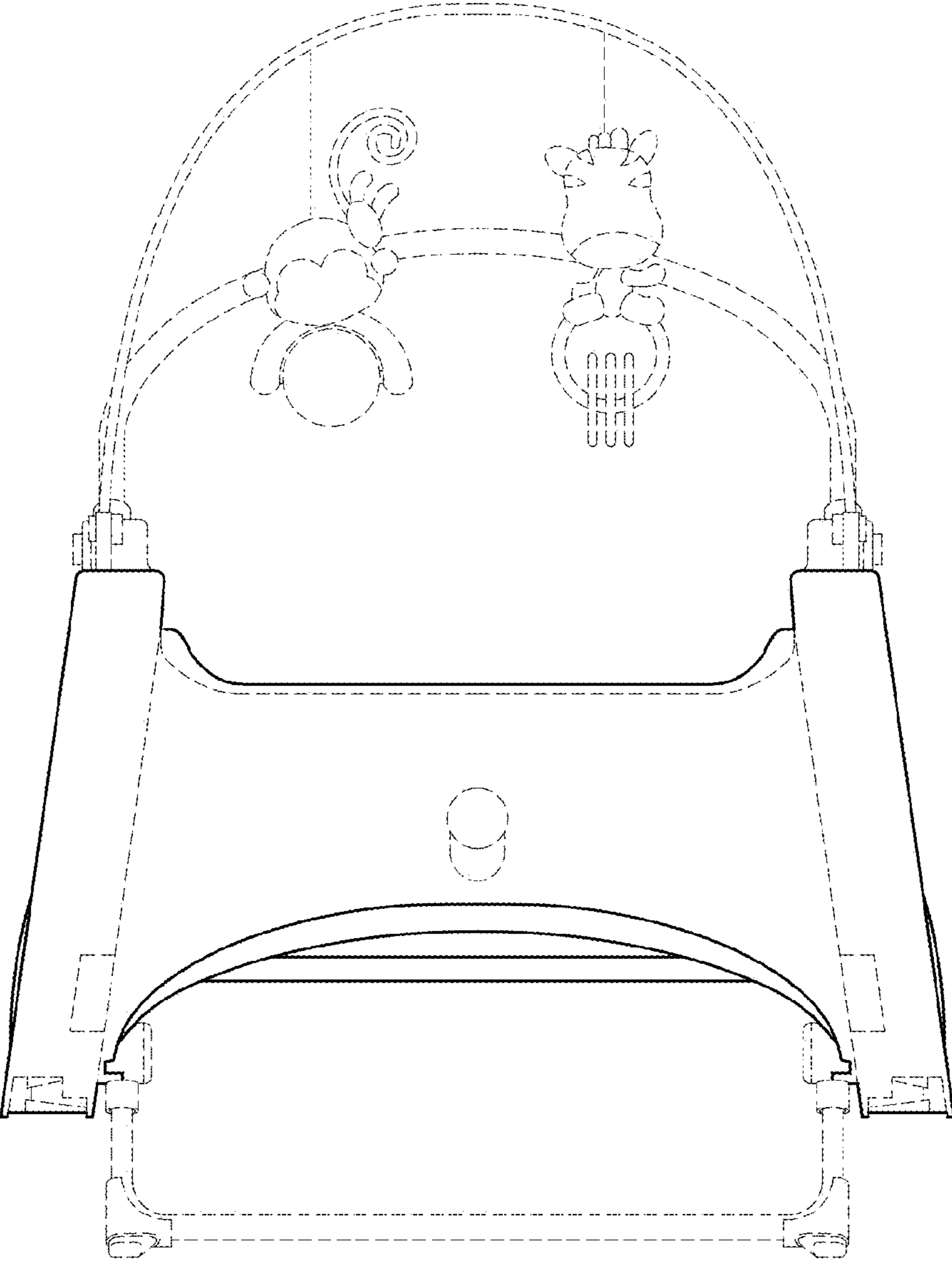


FIG.2

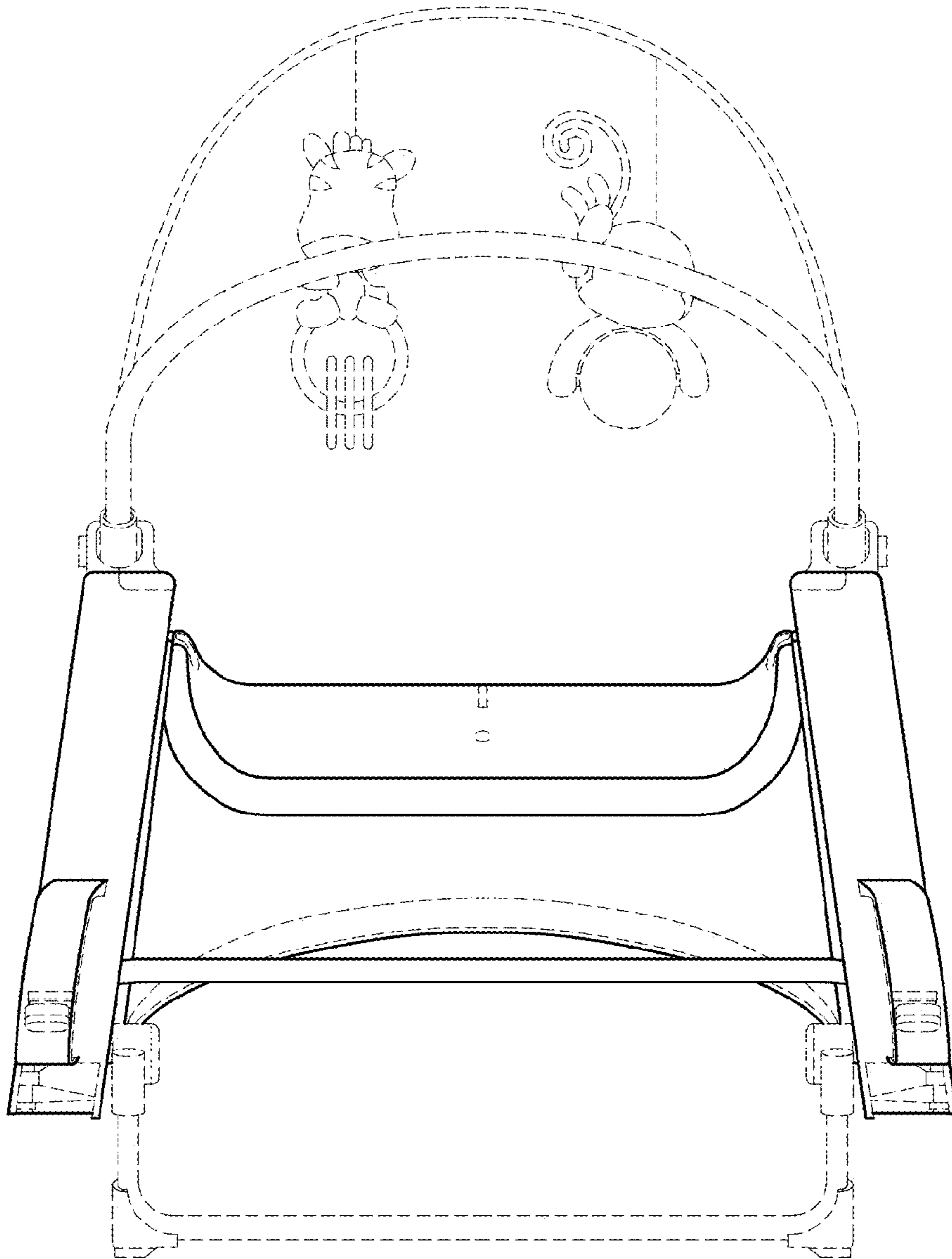


FIG.3

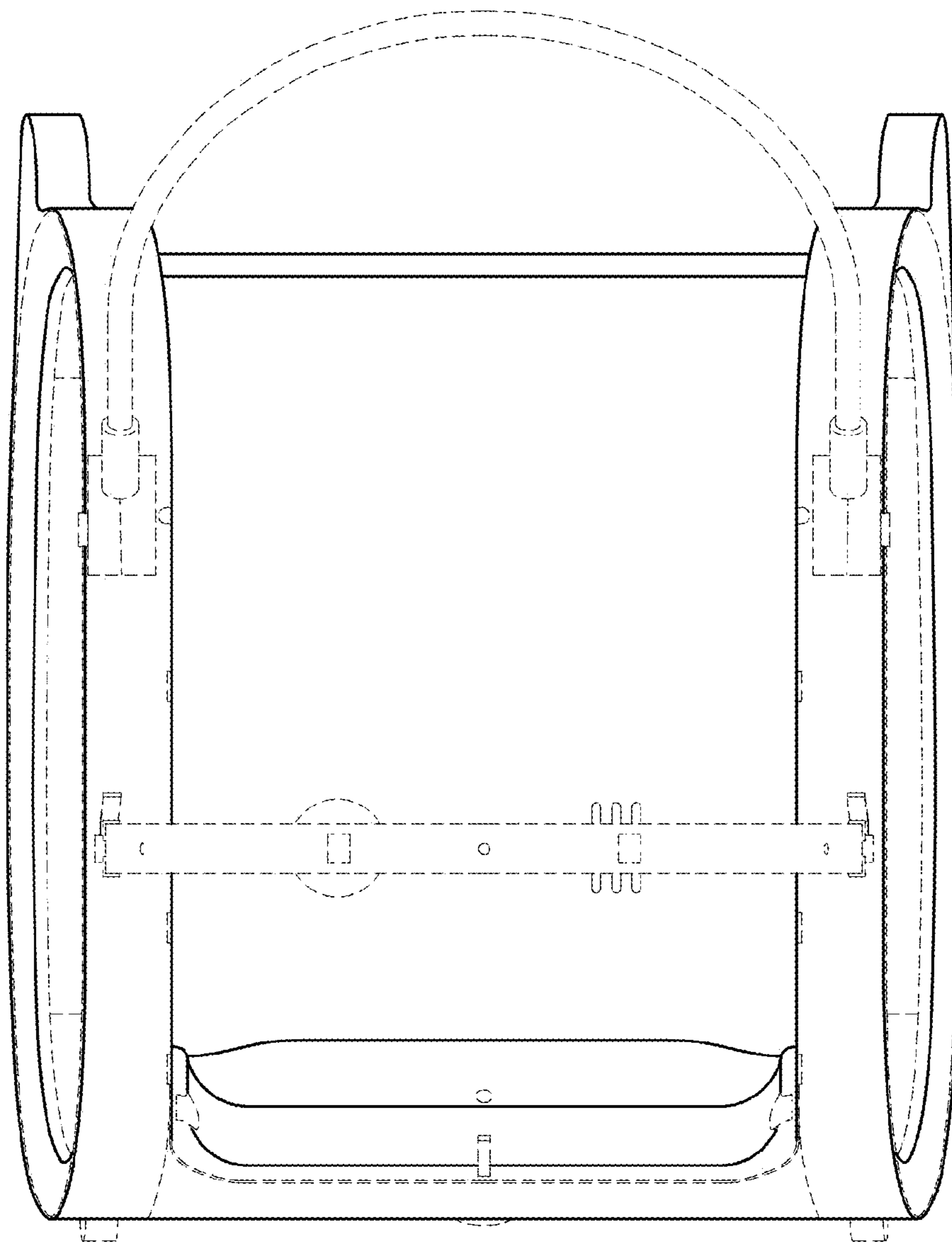


FIG.4

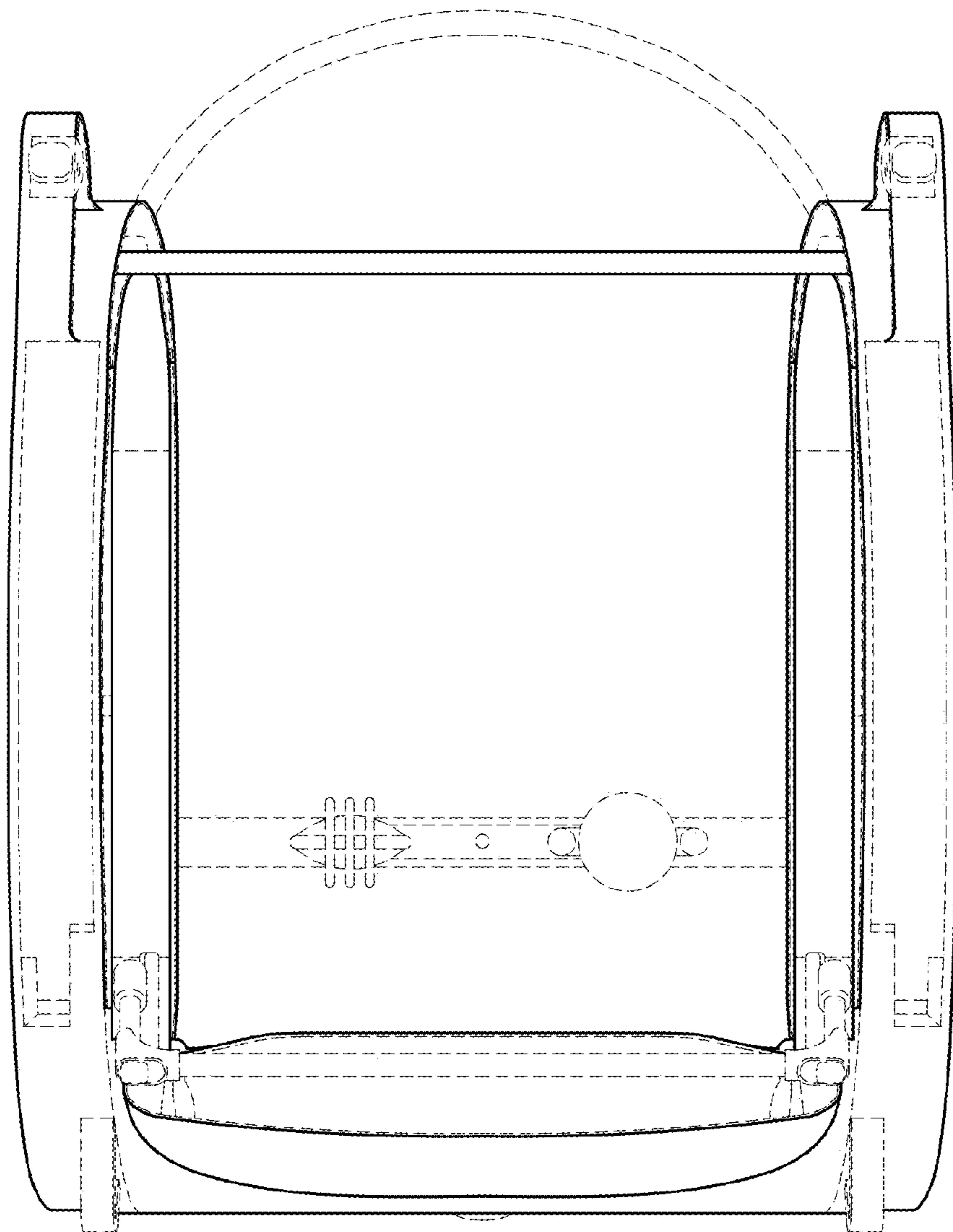


FIG. 5

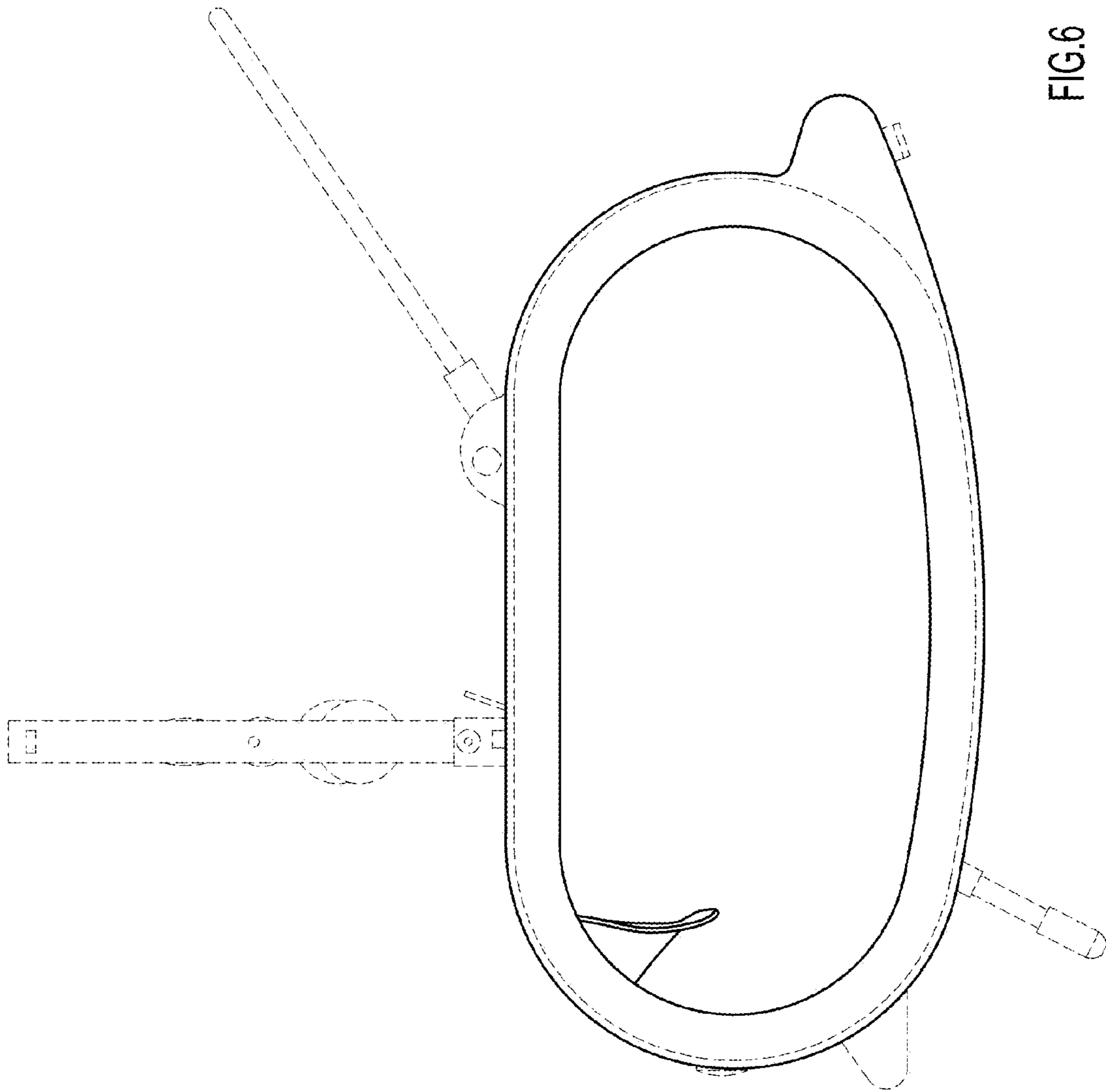


FIG.6

FIG. 7

