



US00D767315S

(12) **United States Design Patent**  
**Yu et al.**

(10) **Patent No.:** **US D767,315 S**  
(45) **Date of Patent:** **\*\* Sep. 27, 2016**

(54) **FRAME FOR AN INFANT SUPPORT STRUCTURE**

(71) Applicant: **Mattel, Inc.**, El Segundo, CA (US)

(72) Inventors: **Chalin Yu**, Williamsville, NY (US);  
**Seth Galley**, East Aurora, NY (US)

(73) Assignee: **Mattel, Inc.**, El Segundo, CA (US)

(\*\*) Term: **15 Years**

(21) Appl. No.: **29/546,615**

(22) Filed: **Nov. 24, 2015**

(51) **LOC (10) Cl.** ..... **06-01**

(52) **U.S. Cl.**  
USPC ..... **D6/715**

(58) **Field of Classification Search**  
USPC ..... D6/334-336, 344, 347, 348, 374, 375,  
D6/716, 716.1, 715  
CPC ..... A47D 13/00; A47D 13/02; A47D 13/10;  
A47D 13/102; A47D 13/105; A47D 13/107;  
A47D 9/02  
See application file for complete search history.

(56) **References Cited**

**U.S. PATENT DOCUMENTS**

D101,632 S *	10/1936	Hoffmann	.....	D6/348
D151,675 S *	11/1948	Bird	.....	D6/348
D194,840 S *	3/1963	Ridder	.....	D6/348
D360,315 S *	7/1995	Morin	.....	D6/348
D480,884 S *	10/2003	Kane	.....	D6/348
D491,736 S *	6/2004	Kane	.....	D6/348
6,811,217 B2 *	11/2004	Kane	.....	A47D 13/102 297/270.5

D503,551 S *	4/2005	Caldwell	.....	D6/348
7,506,922 B2 *	3/2009	Schulte	.....	A47D 13/102 297/131
D603,614 S *	11/2009	Caggiano	.....	D6/348
D627,173 S *	11/2010	Chang	.....	D6/348
8,079,639 B2 *	12/2011	Zeng	.....	A47D 13/107 297/131
D660,053 S *	5/2012	Sclare	.....	D6/715

\* cited by examiner

*Primary Examiner* — Mimoso De

(74) *Attorney, Agent, or Firm* — Edell, Shapiro & Finnan, LLC

(57) **CLAIM**

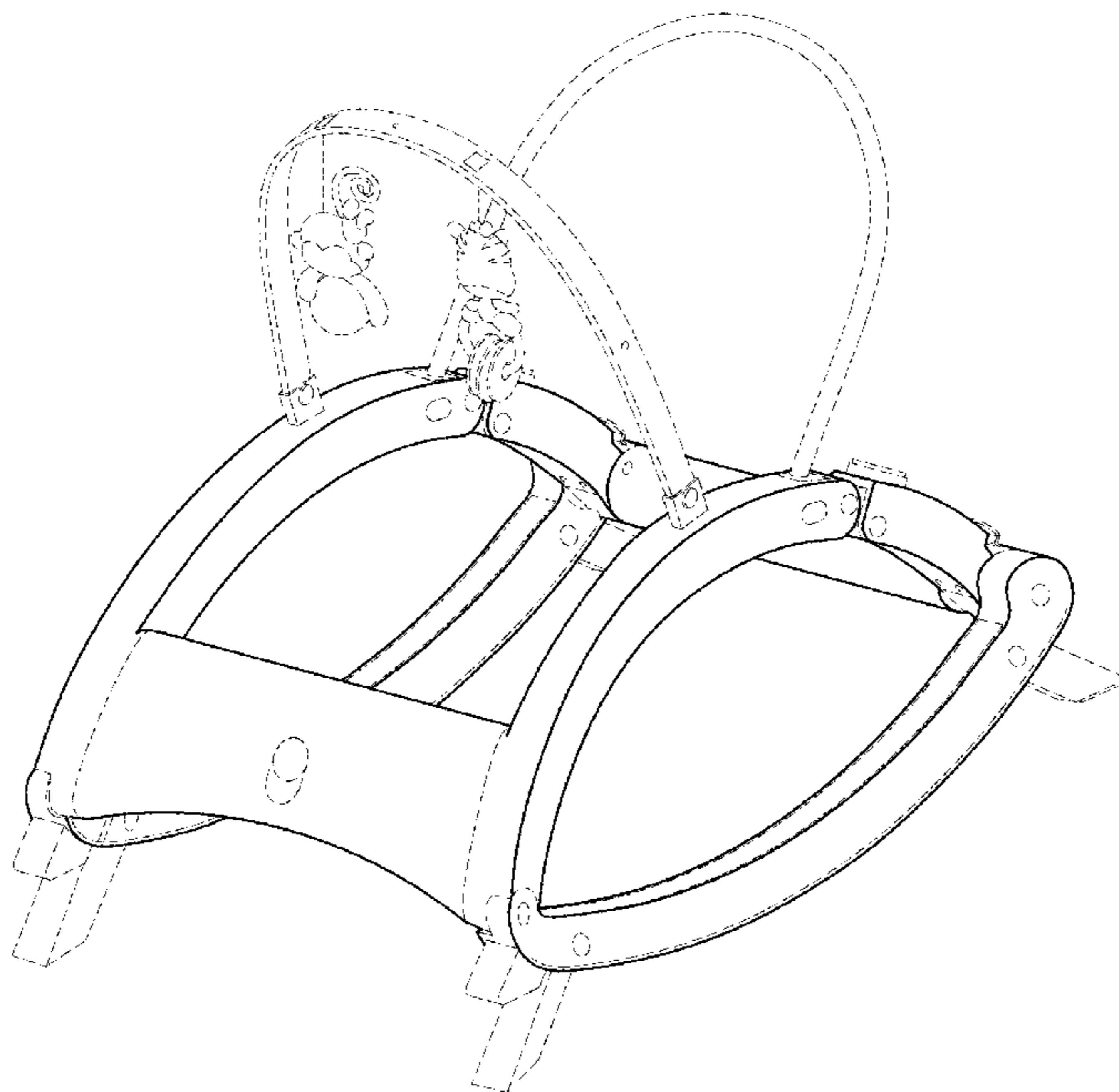
The ornamental design for a frame for an infant support structure, as shown and described.

**DESCRIPTION**

FIG. 1 is a front perspective view of a frame for an infant support structure according to the present invention; FIG. 2 is a front view of the frame for an infant support structure of FIG. 1; FIG. 3 is a rear view of the frame for an infant support structure of FIG. 1; FIG. 4 is a top view of the frame for an infant support structure of FIG. 1; FIG. 5 is a bottom view of the frame for an infant support structure of FIG. 1; FIG. 6 is a left side view of the frame for an infant support structure of FIG. 1; and, FIG. 7 is a right side view of the frame for an infant support structure of FIG. 1.

The broken lines shown in the figures are included for the purpose of illustrating the unclaimed portions of the article and form no part of the claimed design.

**1 Claim, 7 Drawing Sheets**



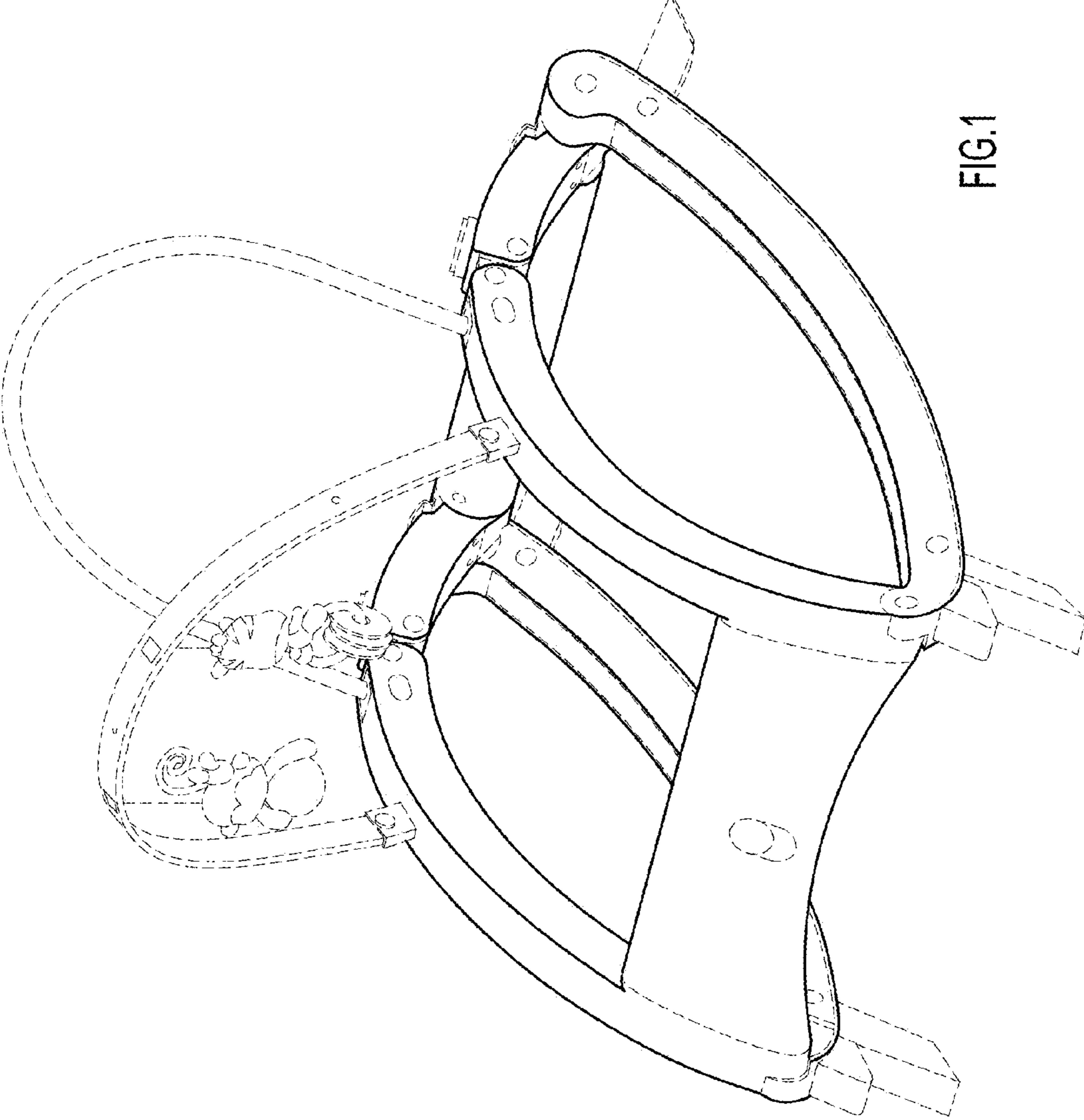


FIG.1

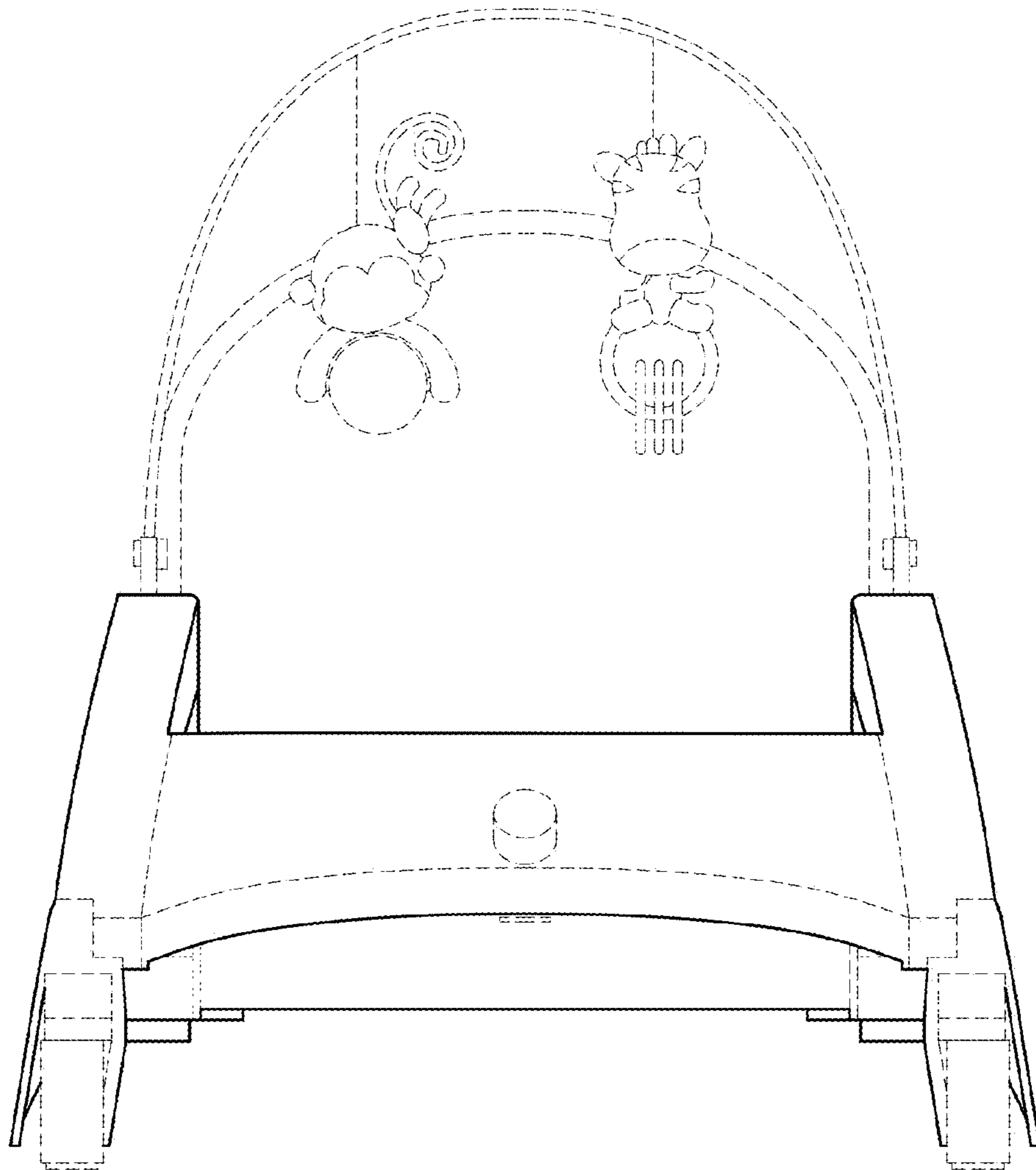


FIG.2

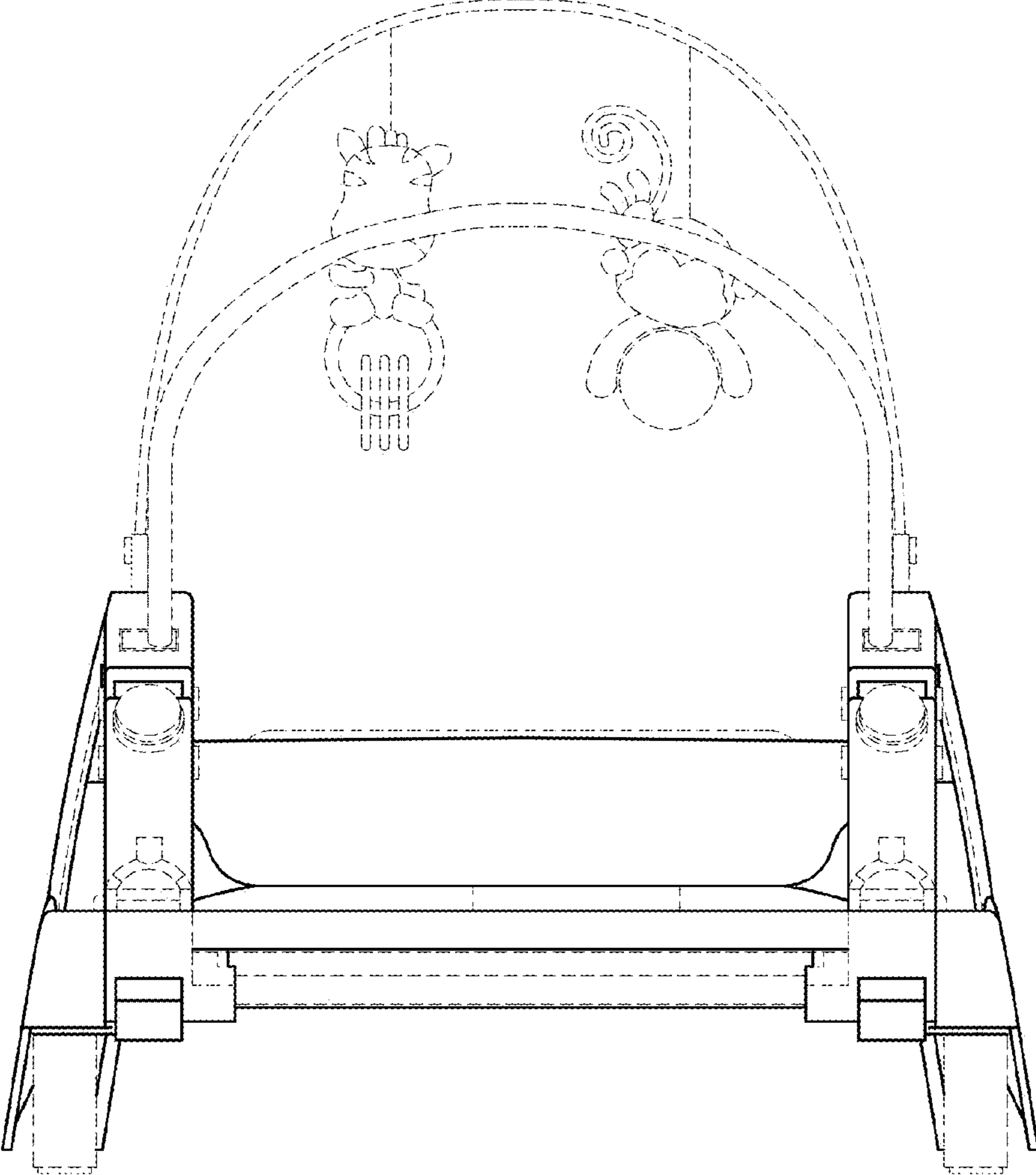


FIG.3

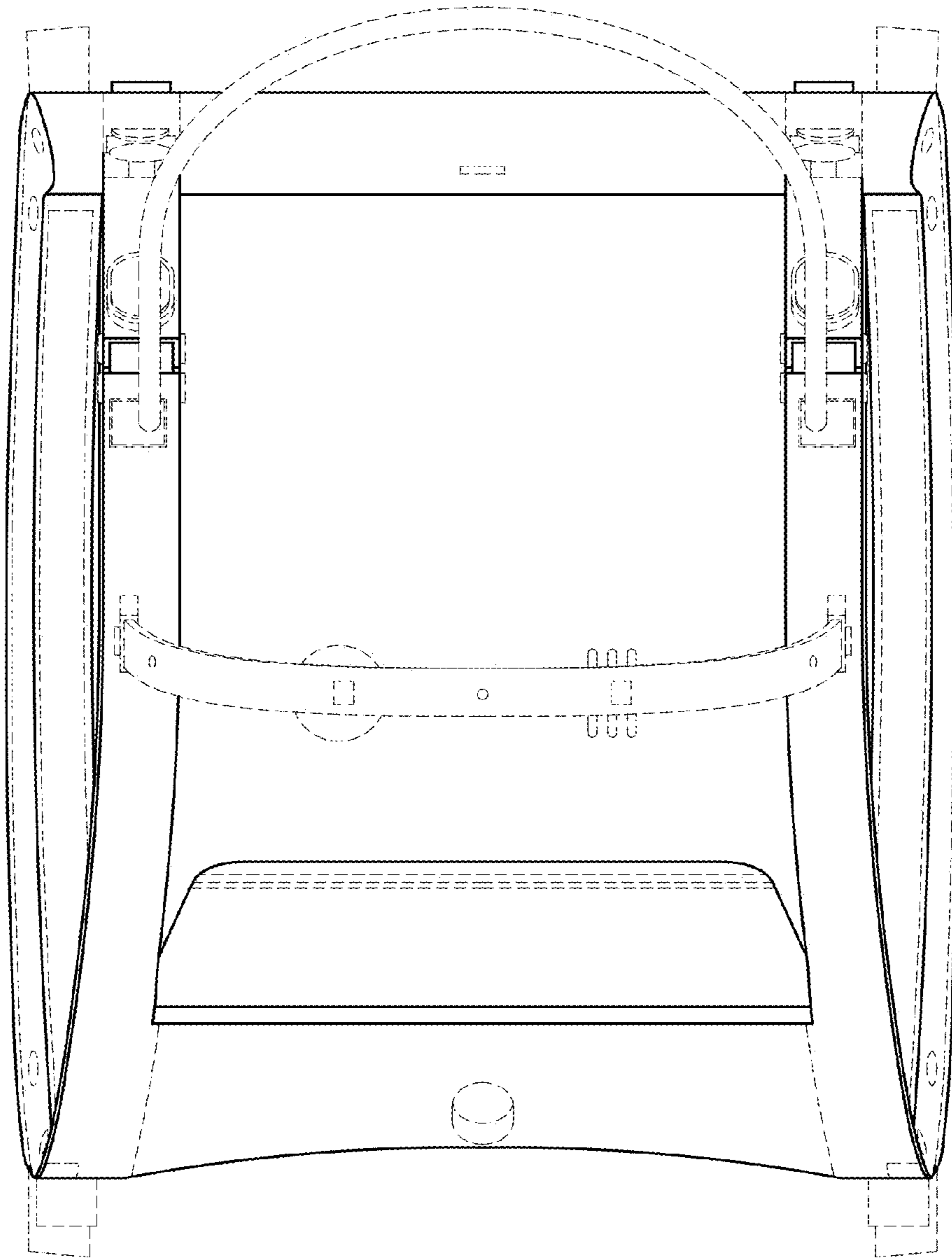


FIG.4

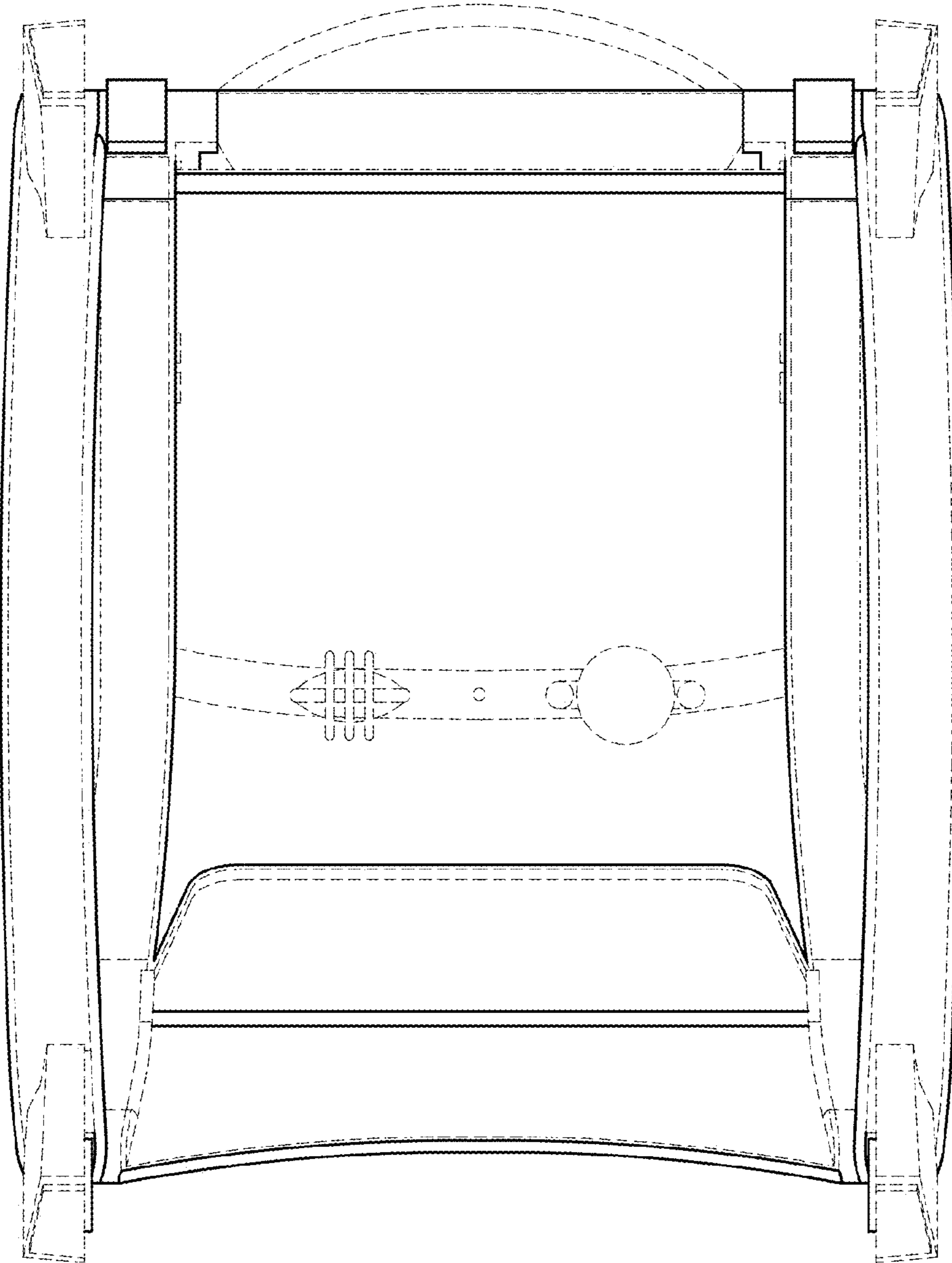


FIG.5

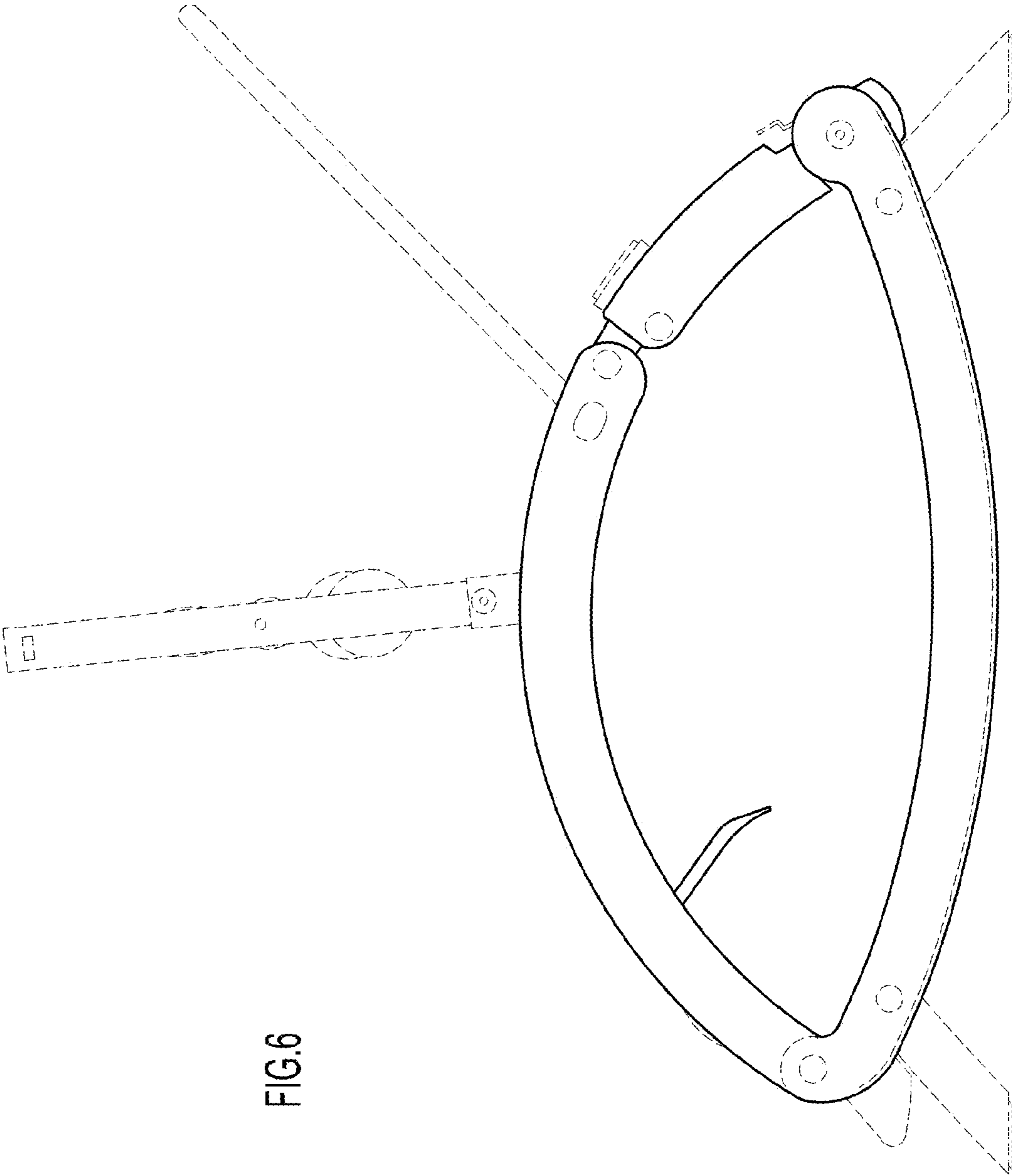


FIG.6

FIG. 7

