



US00D767314S

(12) **United States Design Patent** (10) **Patent No.:** **US D767,314 S**
Crane (45) **Date of Patent:** **** Sep. 27, 2016**

(54) **INFANT JUMPING DEVICE**
(71) Applicant: **Mattel, Inc.**, El Segundo, CA (US)
(72) Inventor: **Kevin Crane**, Orchard Park, NY (US)
(73) Assignee: **Mattel, Inc.**, El Segundo, CA (US)
(**) Term: **14 Years**
(21) Appl. No.: **29/510,274**
(22) Filed: **Nov. 26, 2014**
(51) **LOC (10) Cl.** **06-01**
(52) **U.S. Cl.**
USPC **D6/715**
(58) **Field of Classification Search**
USPC D6/334-336, 344, 347, 348, 374, 375,
D6/716, 716.1, 715, 708, 708.16; D21/412
CPC A47D 13/00; A47D 13/02; A47D 13/10;
A47D 13/102; A47D 13/105; A47D 13/107;
A47D 9/02; A47D 1/008
See application file for complete search history.

7,819,410 B2 10/2010 Myers et al.
7,883,143 B2 2/2011 Reynolds
D660,026 S * 5/2012 Shi D6/347
D692,681 S * 11/2013 Robbins D6/347
D737,616 S * 9/2015 Mountz D6/708.16
D750,924 S * 3/2016 Van Huystee D6/715
2006/0103178 A1 5/2006 Wun
2007/0040431 A1* 2/2007 Bapst A47D 13/107
297/274
2009/0033133 A1* 2/2009 Barron A47D 13/105
297/274
2011/0127810 A1 6/2011 Lee et al.
2012/0100972 A1 4/2012 Prohaska et al.
2013/0065479 A1 3/2013 Elson

FOREIGN PATENT DOCUMENTS

WO 2010006471 A1 1/2010

* cited by examiner

Primary Examiner — Mimoso De
(74) *Attorney, Agent, or Firm* — Edell, Shapiro & Finnan, LLC

(57) **CLAIM**
The ornamental design for an infant jumping device, as shown and described.

(56) **References Cited**

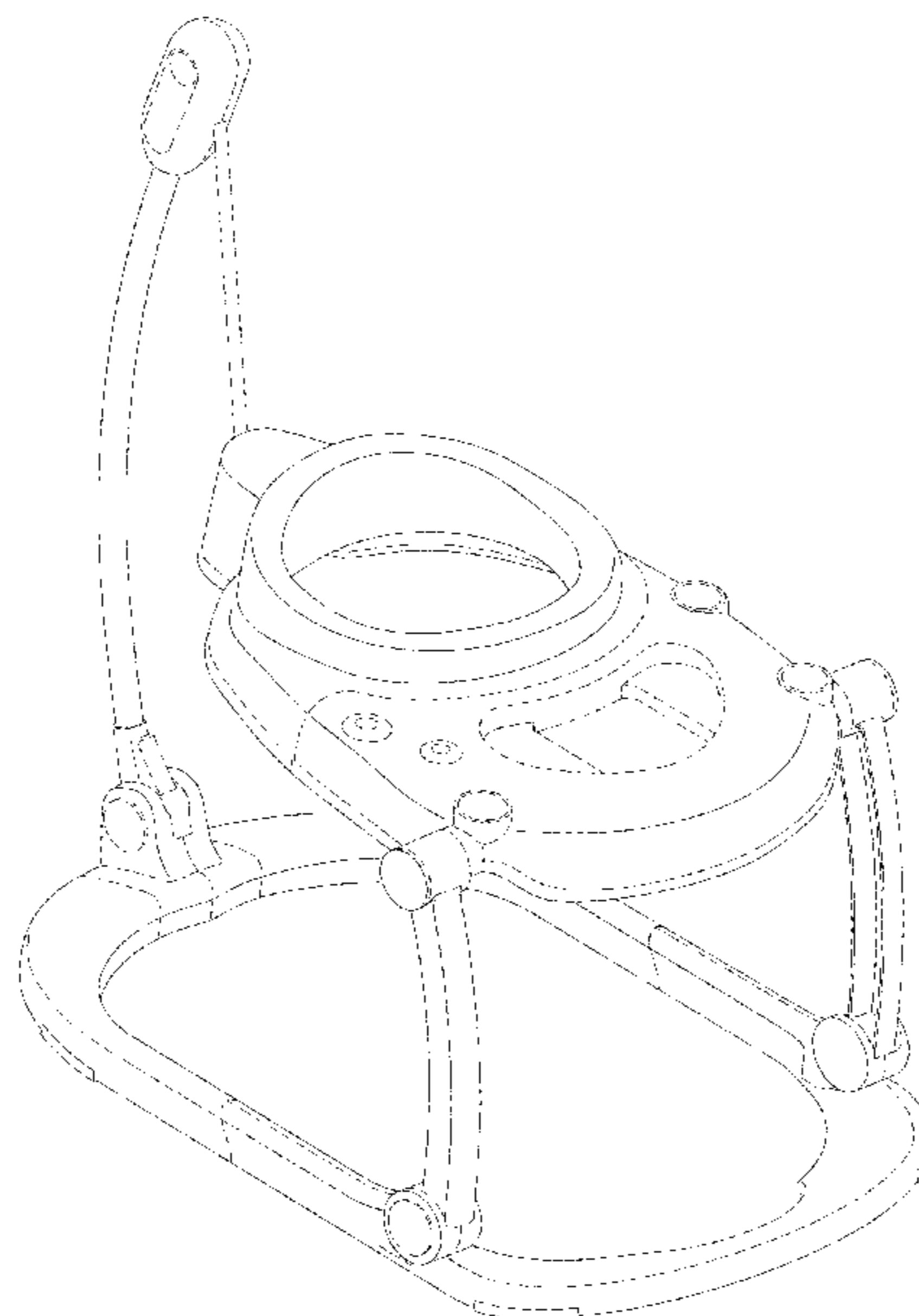
U.S. PATENT DOCUMENTS

2,927,628 A 3/1960 Gill
3,007,667 A 11/1961 Rossi
3,054,591 A 9/1962 Cohn
3,076,628 A 2/1963 Smith et al.
3,145,048 A 8/1964 Dowdy et al.
5,857,944 A * 1/1999 Cone A47D 13/107
297/274
6,257,659 B1 7/2001 Wilkins et al.
6,361,106 B1 3/2002 Huang
6,594,840 B2 7/2003 Tomas et al.
6,854,799 B1 2/2005 Asbach et al.
6,863,287 B2 3/2005 Myers et al.
6,877,802 B2 4/2005 Christensen et al.
7,347,432 B2 3/2008 Myers et al.

DESCRIPTION

FIG. 1 is a front perspective view of an infant jumping device according to the present invention; FIG. 2 is rear view of the device of FIG. 1; FIG. 3 is a front view of the device of FIG. 1; FIG. 4 is a left side view of the device of FIG. 1; FIG. 5 is a right side view of the device of FIG. 1; FIG. 6 is a top view of the device of FIG. 1; and, FIG. 7 is a bottom view of the device of FIG. 1. The portions shown in phantom are for illustrative purposes only and form no part of the claimed design.

1 Claim, 7 Drawing Sheets



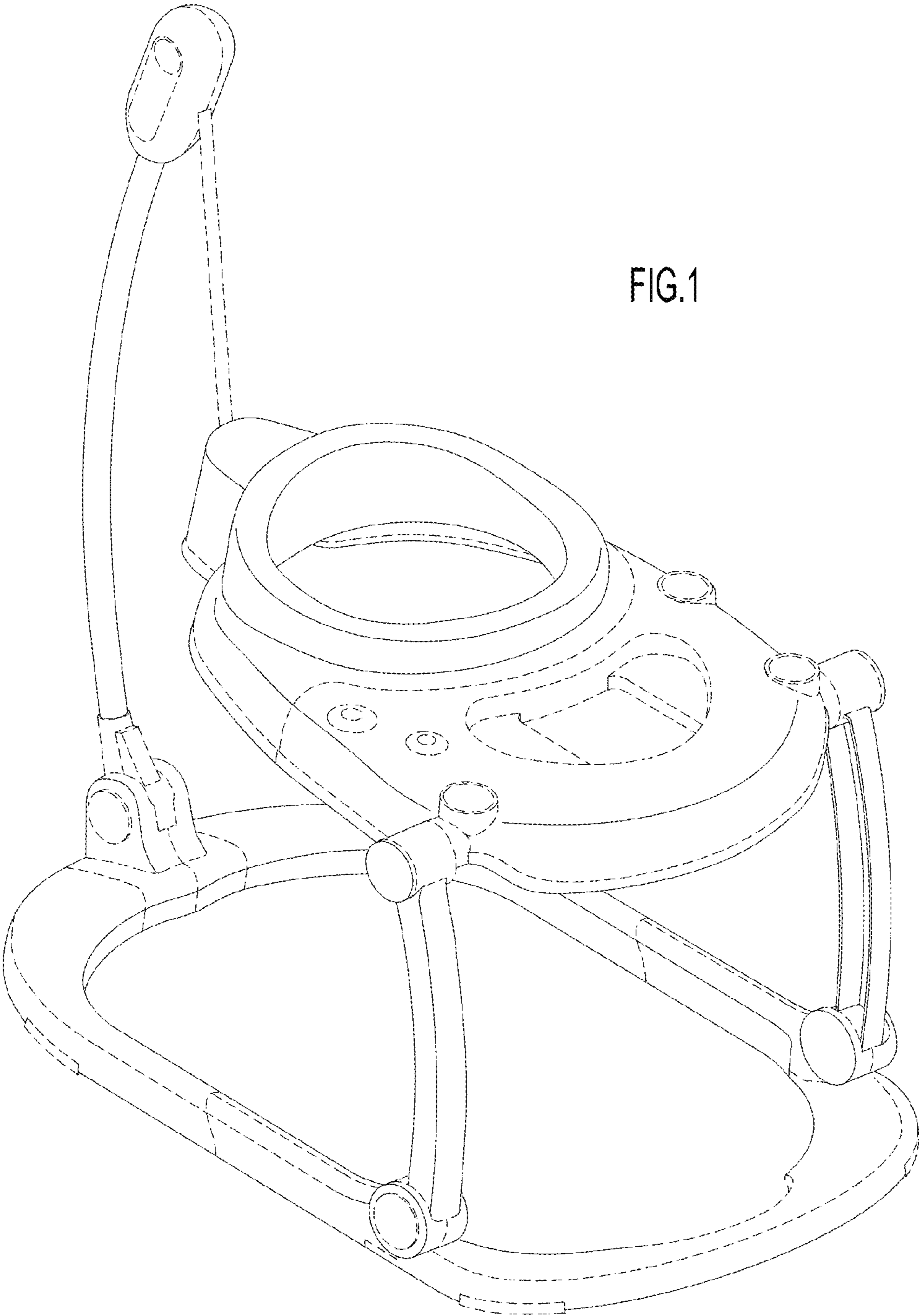


FIG.1

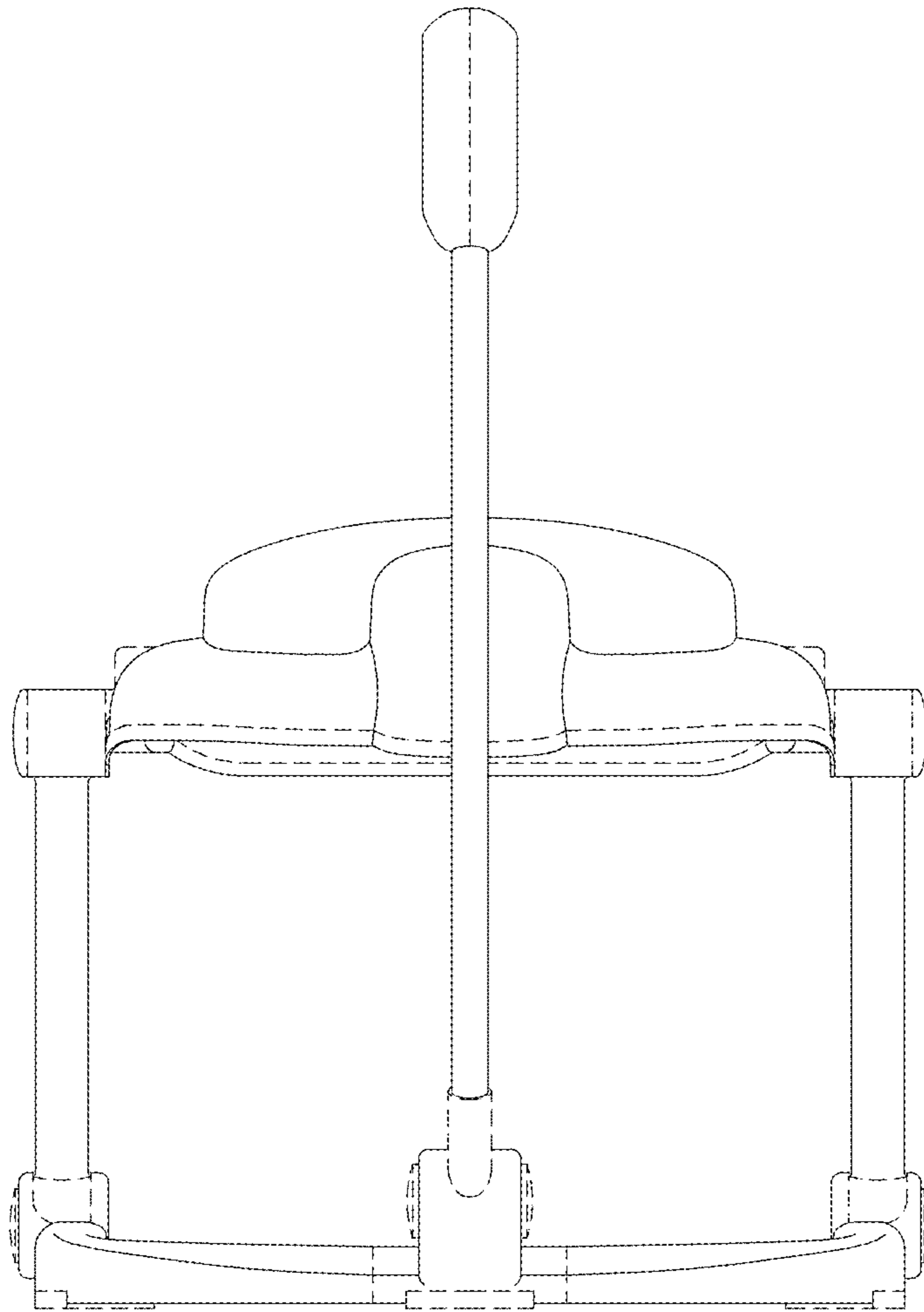


FIG.2

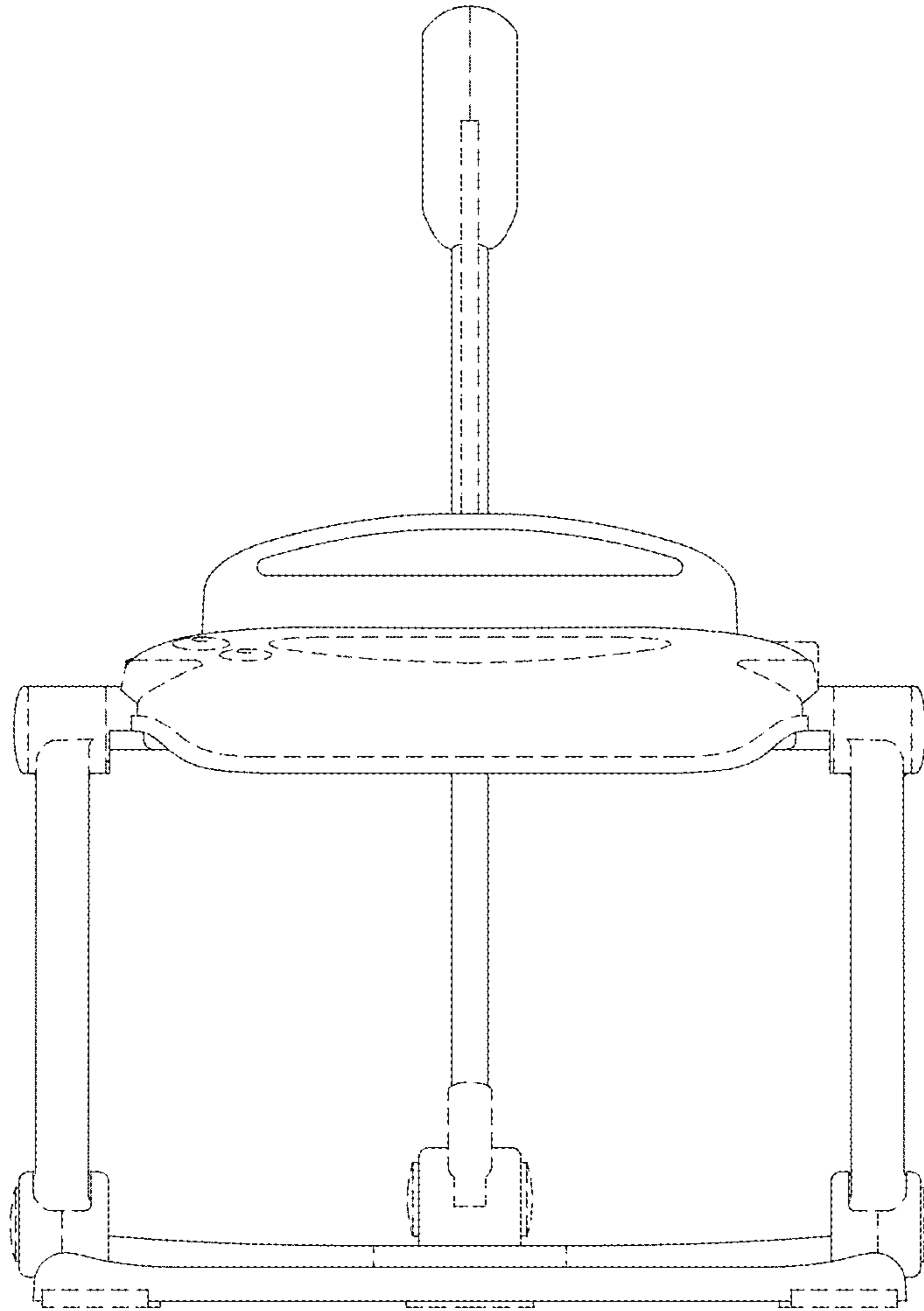


FIG.3

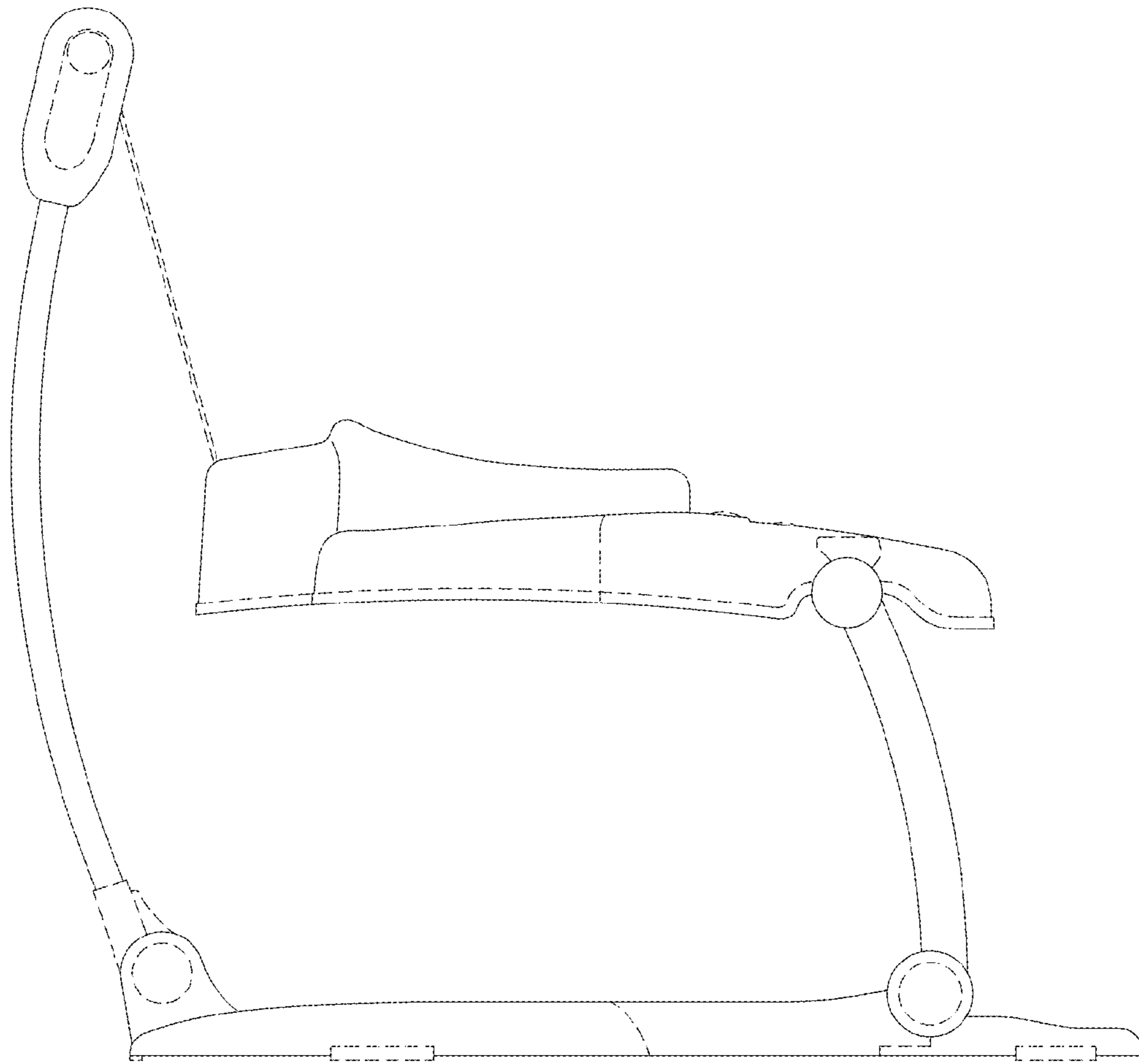


FIG.4

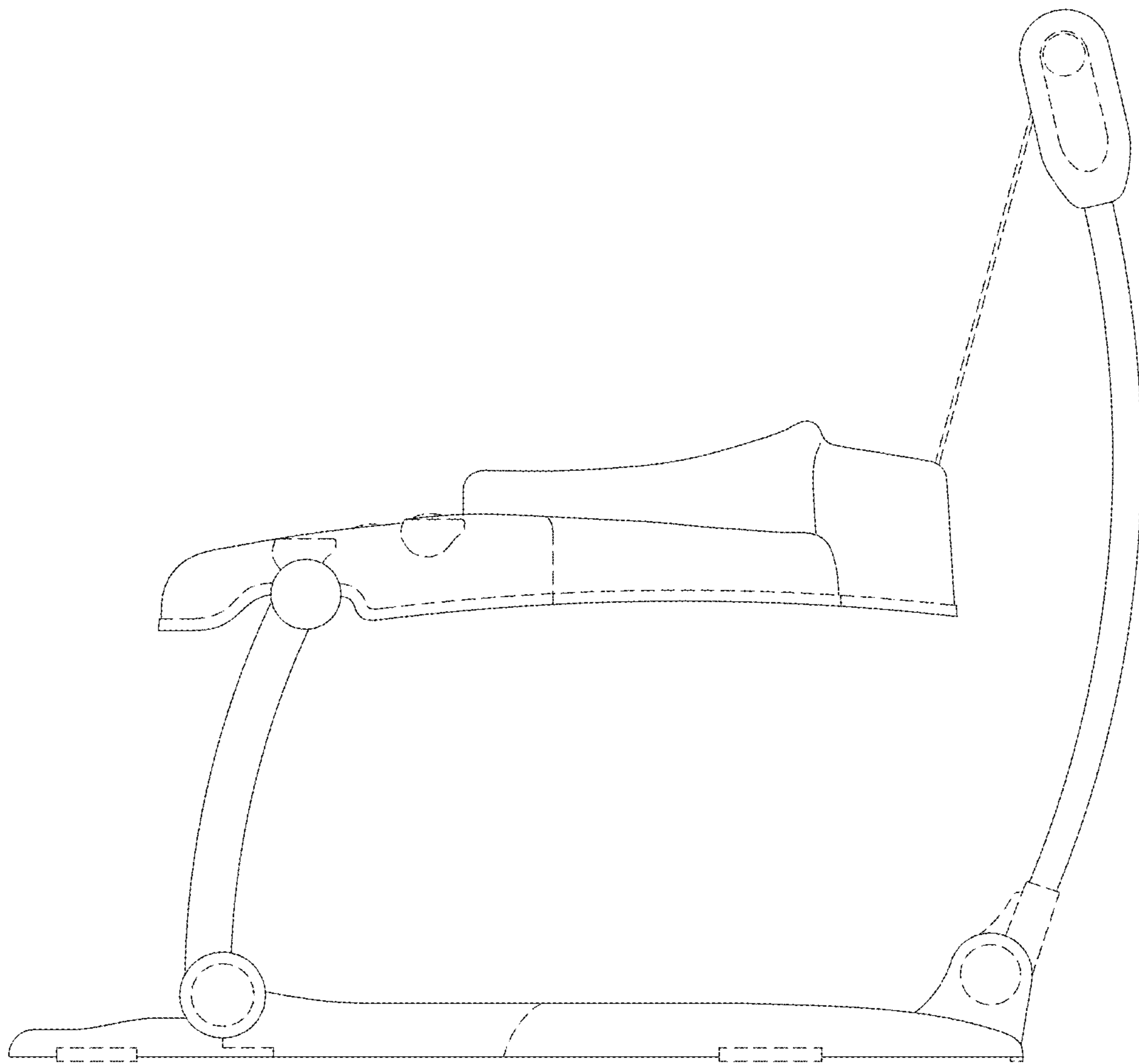


FIG. 5

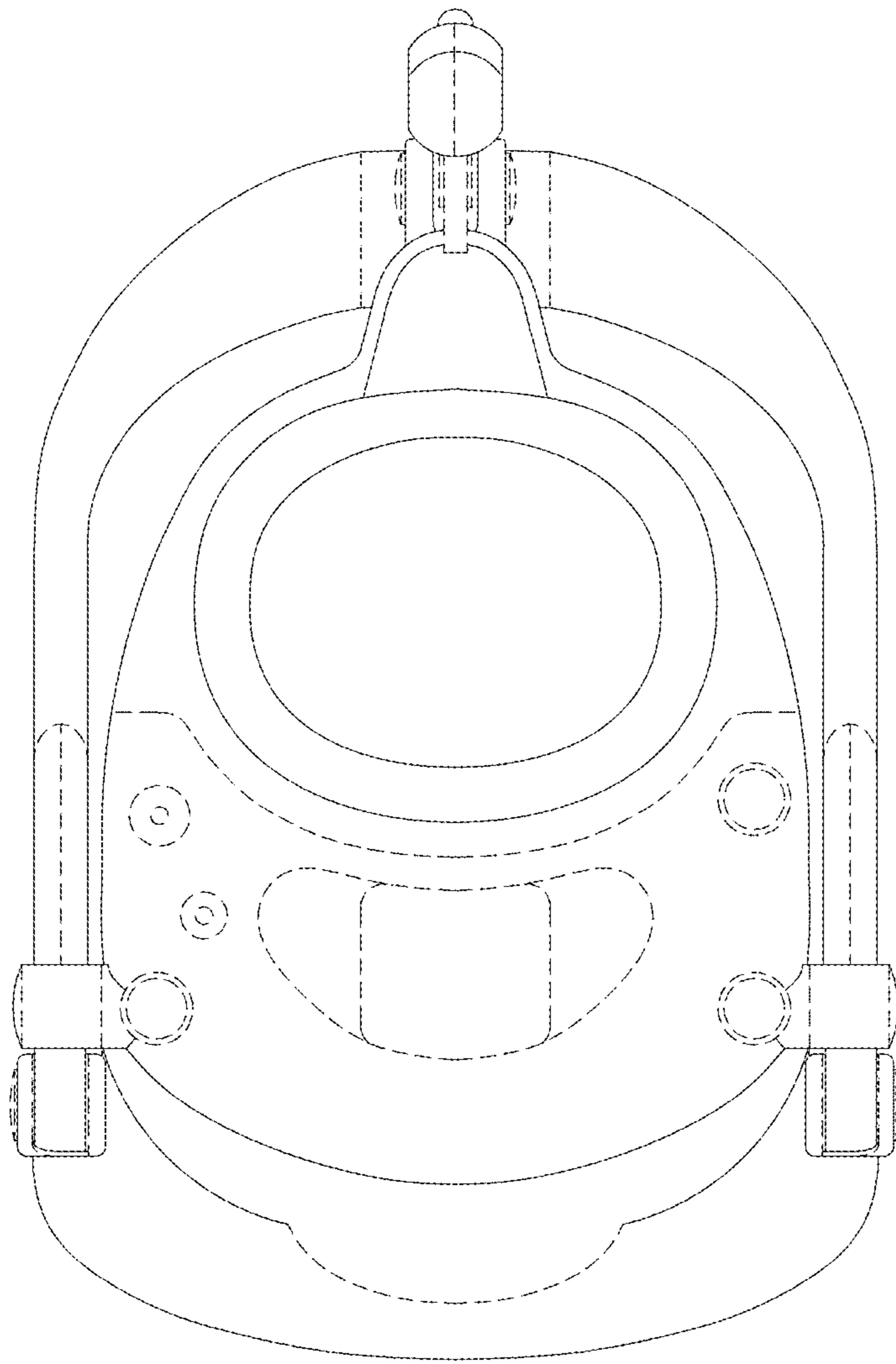


FIG.6

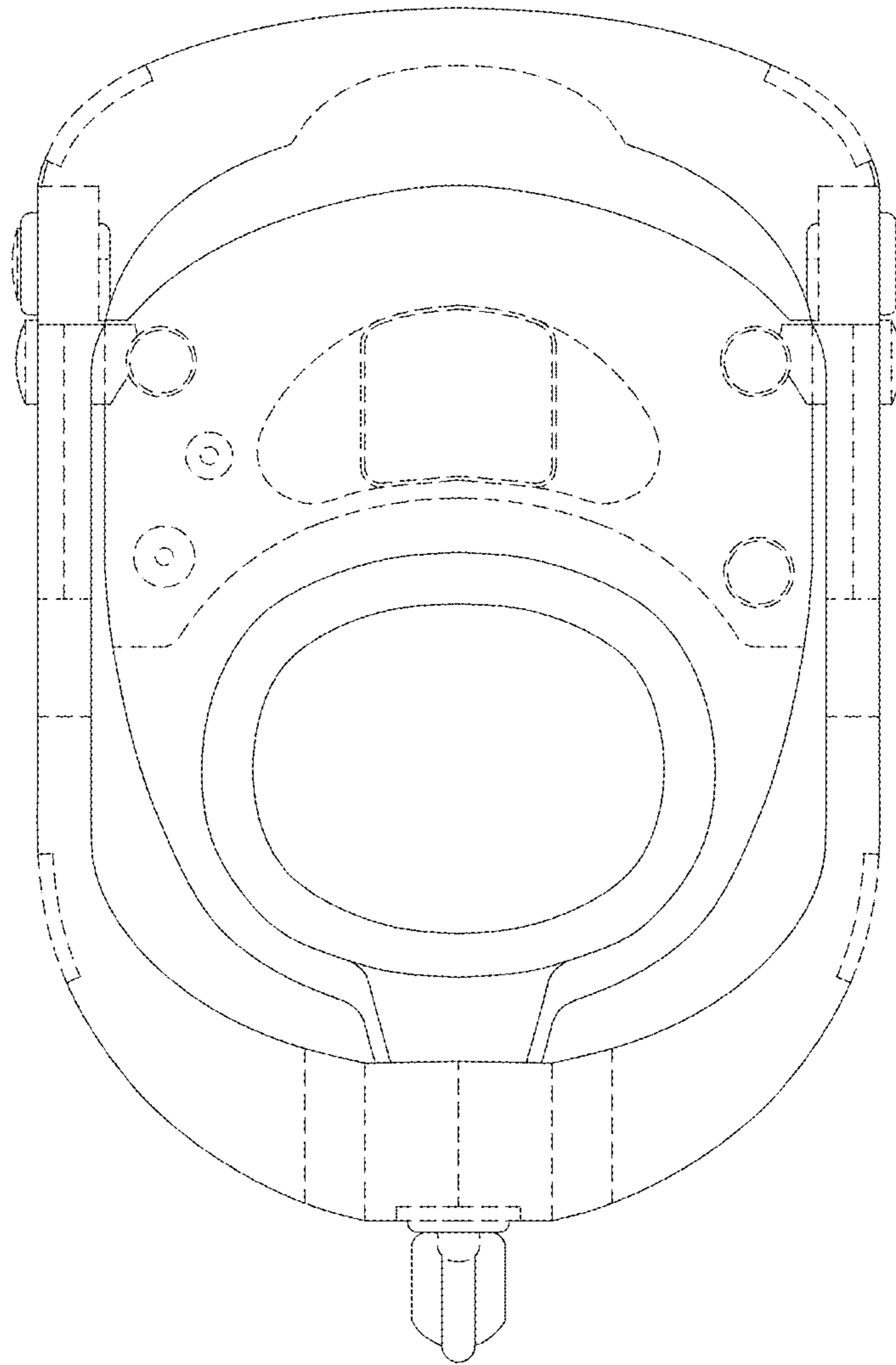


FIG.7