



US00D767313S

(12) **United States Design Patent** (10) **Patent No.:** **US D767,313 S**  
**Galley et al.** (45) **Date of Patent:** **\*\* Sep. 27, 2016**

(54) **RECONFIGURABLE INFANT SUPPORT STRUCTURE**

7,607,734 B2 10/2009 Clapper et al.  
7,614,930 B2 11/2009 Berkey et al.  
7,695,374 B2 4/2010 Bellows et al.  
7,717,798 B2 5/2010 Bellows et al.  
7,722,118 B2 5/2010 Bapst et al.  
7,727,078 B2 6/2010 Arnold, IV et al.

(71) Applicant: **Mattel, Inc.**, El Segundo, CA (US)

(72) Inventors: **Seth Galley**, East Aurora, NY (US);  
**Devin J. Roberts**, Lackawanna, NY (US)

(Continued)

(73) Assignee: **Mattel, Inc.**, El Segundo, CA (US)

FOREIGN PATENT DOCUMENTS

(\*\*) Term: **14 Years**

CN 102018397 A 4/2011  
CN 201948524 U 8/2011

(Continued)

(21) Appl. No.: **29/510,271**

*Primary Examiner* — Mimosa De

(22) Filed: **Nov. 26, 2014**

(74) *Attorney, Agent, or Firm* — Edell, Shapiro & Finnan, LLC

(51) **LOC (10) Cl.** ..... **06-01**

(52) **U.S. Cl.**  
USPC ..... **D6/715**

(58) **Field of Classification Search**  
USPC ..... D6/334-336, 344, 347, 348, 374, 375,  
D6/716, 716.1, 715  
CPC ..... A47D 13/00; A47D 13/02; A47D 13/10;  
A47D 13/102; A47D 13/105; A47D 13/107;  
A47D 9/02  
See application file for complete search history.

(57) **CLAIM**

The ornamental design for a reconfigurable infant support structure, as shown and described.

**DESCRIPTION**

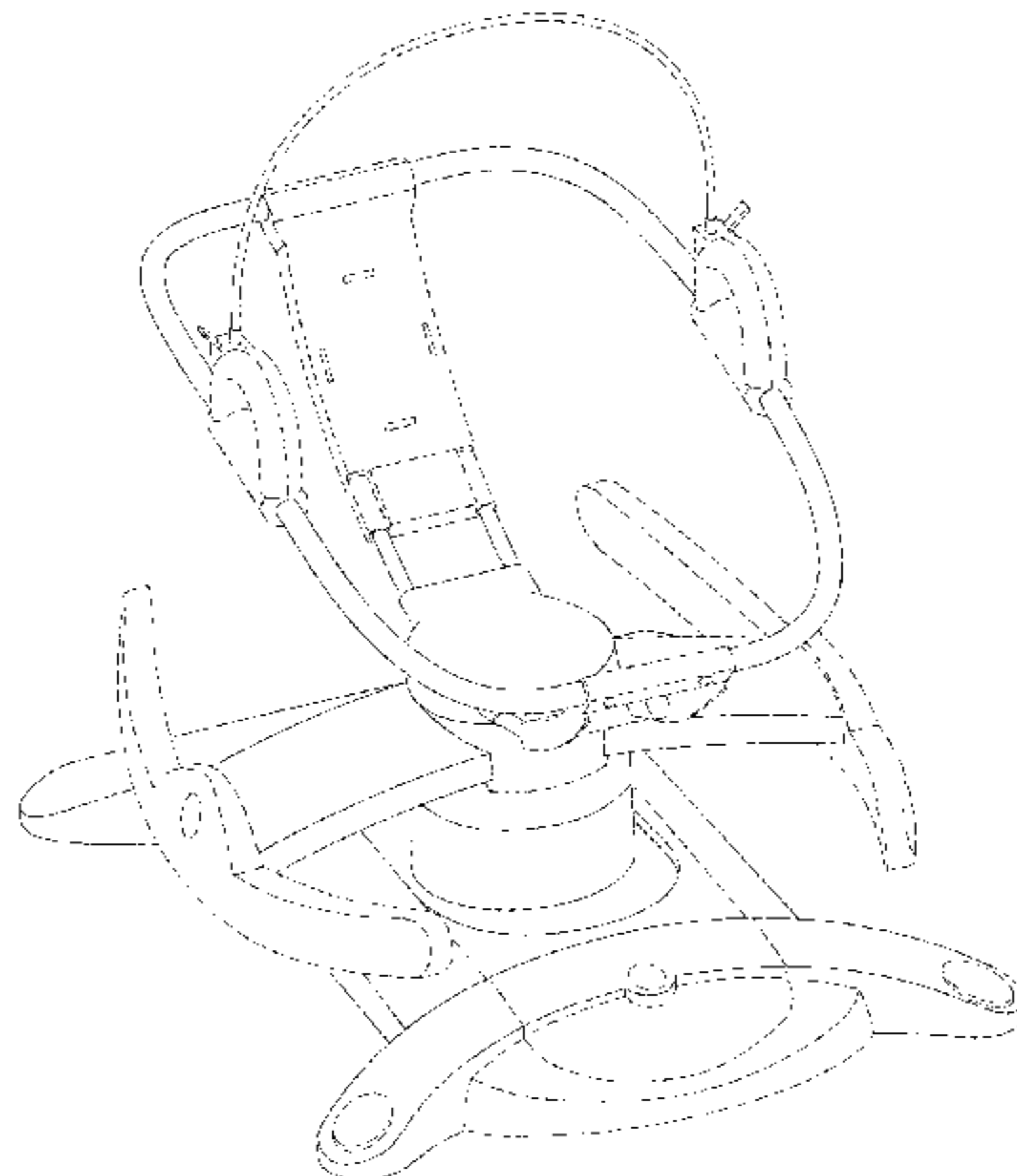
FIG. 1 is a top perspective view of a reconfigurable infant support structure according to the present invention;  
FIG. 2 is a top view of the reconfigurable infant support structure of FIG. 1;  
FIG. 3 is a bottom view of the reconfigurable infant support structure of FIG. 1;  
FIG. 4 is a front view of the reconfigurable infant support structure of FIG. 1;  
FIG. 5 is a rear view of the reconfigurable infant support structure of FIG. 1;  
FIG. 6 is a left side view of the reconfigurable infant support structure of FIG. 1; and,  
FIG. 7 is a right side view of the reconfigurable infant support structure of FIG. 1.  
The broken lines shown in the figures are included for the purpose of illustrating the unclaimed portions of the article and form no part of the claimed design.

(56) **References Cited**

U.S. PATENT DOCUMENTS

2,566,983 A 9/1951 Coltrane  
4,258,446 A 3/1981 McAllister et al.  
4,598,946 A 7/1986 Cone  
4,911,499 A 3/1990 Meeker  
5,575,530 A 11/1996 Harper et al.  
5,618,016 A 4/1997 Garland et al.  
6,481,794 B1 11/2002 Kassai et al.  
6,659,564 B2 12/2003 Kassai et al.  
7,032,966 B2 4/2006 Myers  
7,326,120 B2 2/2008 Bellows et al.  
7,422,524 B2 9/2008 Gregorian  
7,445,559 B2 11/2008 Kakuda  
7,485,086 B2 2/2009 Dickie  
7,563,170 B2 7/2009 Bellows et al.

**1 Claim, 7 Drawing Sheets**



(56)

References Cited

U.S. PATENT DOCUMENTS

7,770,971 B2 8/2010 Bellows et al.  
 7,789,762 B2 9/2010 Greger et al.  
 7,824,273 B2 11/2010 Clapper et al.  
 7,845,728 B2 12/2010 Chen et al.  
 7,862,118 B2 1/2011 Sims, Jr.  
 7,874,927 B2 1/2011 Godiska  
 7,883,426 B2 2/2011 Bellows et al.  
 7,884,710 B2 2/2011 Godiska et al.  
 7,891,736 B2 2/2011 Sims, Jr.  
 7,918,499 B2 4/2011 Tuckey et al.  
 7,918,742 B2 4/2011 Clapper et al.  
 D637,827 S \* 5/2011 Horn ..... D6/344  
 D637,828 S \* 5/2011 Horn ..... D6/344  
 7,938,731 B2 5/2011 Papageorge et al.  
 7,958,579 B2 6/2011 Westerkamp et al.  
 7,963,896 B2 6/2011 Nanna et al.  
 7,971,933 B2 7/2011 Tuckey et al.  
 8,029,377 B2 10/2011 Velderman et al.  
 8,047,609 B2 11/2011 Chen et al.  
 8,047,888 B1 11/2011 Seymore  
 D651,817 S \* 1/2012 Horn ..... D6/344  
 8,146,989 B2 4/2012 Godiska et al.  
 8,152,647 B2 4/2012 Tuckey et al.  
 8,187,111 B2 5/2012 Velderman et al.  
 8,197,005 B2 6/2012 Hopke et al.  
 8,239,984 B2 8/2012 Hopke et al.  
 8,292,750 B2 10/2012 Gregorian  
 8,294,308 B2 10/2012 Westerkamp et al.  
 8,469,832 B2 6/2013 Gillett et al.

D688,884 S \* 9/2013 Lane ..... D6/344  
 8,556,349 B2 10/2013 Welch et al.  
 D702,052 S \* 4/2014 Wiegmann ..... D6/344  
 8,827,366 B2 9/2014 Hopke et al.  
 8,845,028 B2 \* 9/2014 Miller ..... A47D 13/105  
 297/118  
 D750,924 S \* 3/2016 Van Huystee ..... D6/715  
 2002/0113469 A1 8/2002 Stern  
 2002/0163232 A1 11/2002 Vezinet et al.  
 2002/0195851 A1 12/2002 Kassai et al.  
 2003/0015903 A1 1/2003 Myers  
 2006/0012230 A1 1/2006 Kennedy et al.  
 2006/0181123 A1 8/2006 Gibree  
 2006/0270480 A1 11/2006 Chen  
 2007/0214568 A1 9/2007 Dodder et al.  
 2008/0136236 A1 6/2008 Kincaid et al.  
 2008/0146359 A1 6/2008 Godiska  
 2008/0146361 A1 6/2008 Godiska  
 2010/0127539 A1 5/2010 Bellows et al.  
 2010/0159428 A1 6/2010 Grasing et al.  
 2011/0237411 A1 9/2011 Nanna et al.  
 2012/0205954 A1 8/2012 Pollack et al.  
 2012/0261962 A1 10/2012 Huntsberger et al.  
 2013/0037681 A1 2/2013 Westerkamp et al.

FOREIGN PATENT DOCUMENTS

DE 29718591 U1 12/1997  
 WO 9823191 A1 6/1998  
 WO 2007119922 A1 10/2007

\* cited by examiner

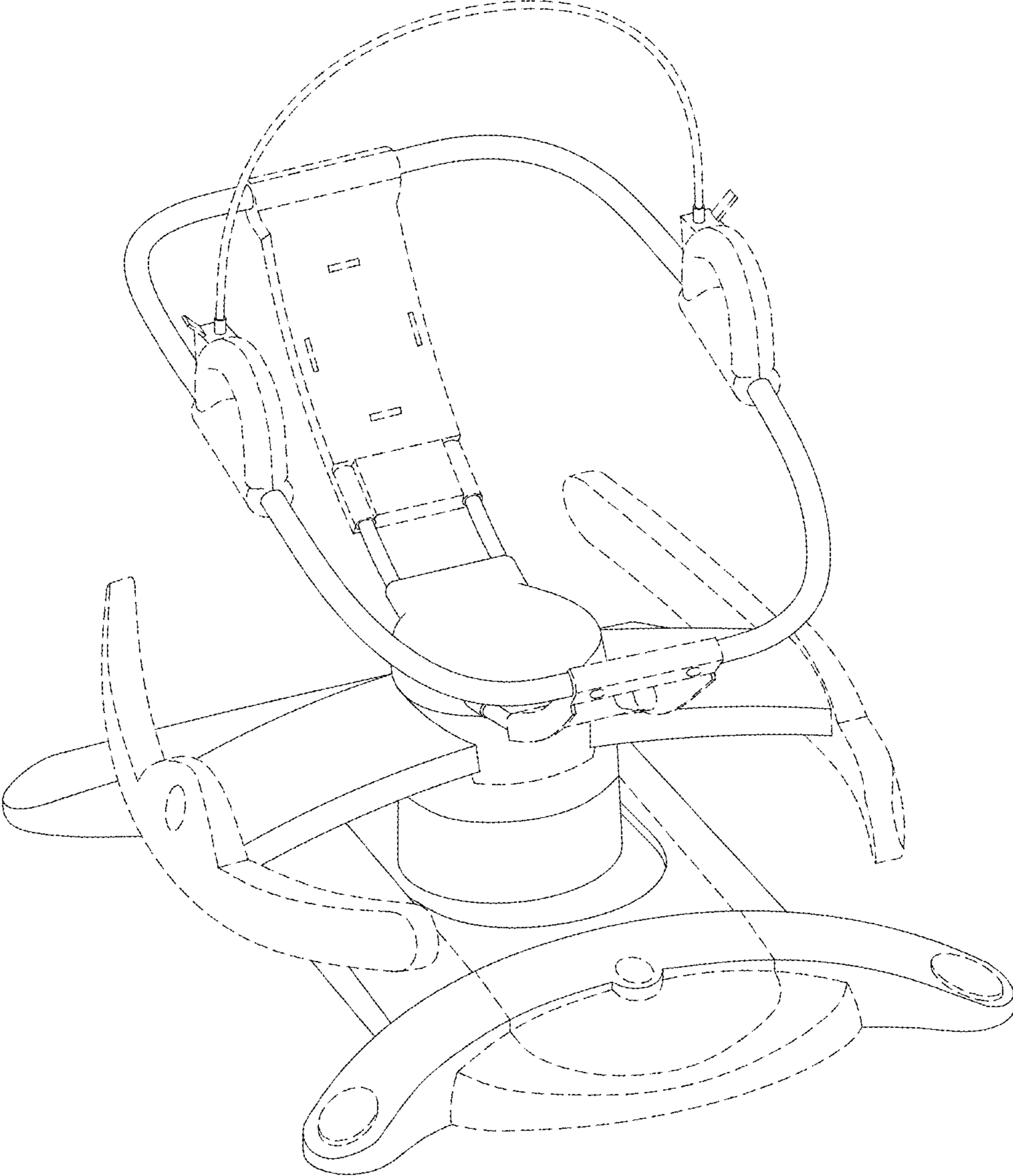


FIG.1

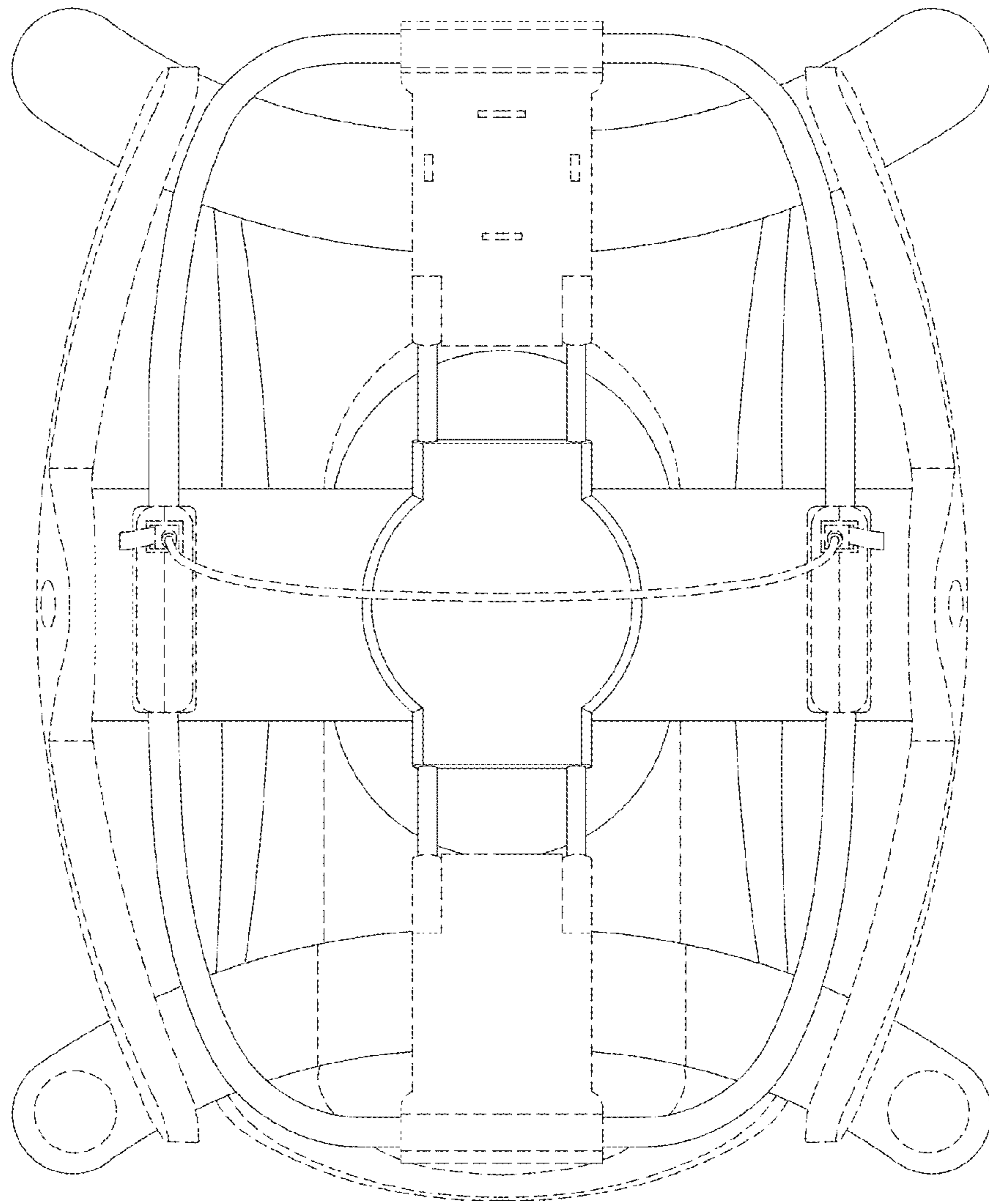


FIG.2

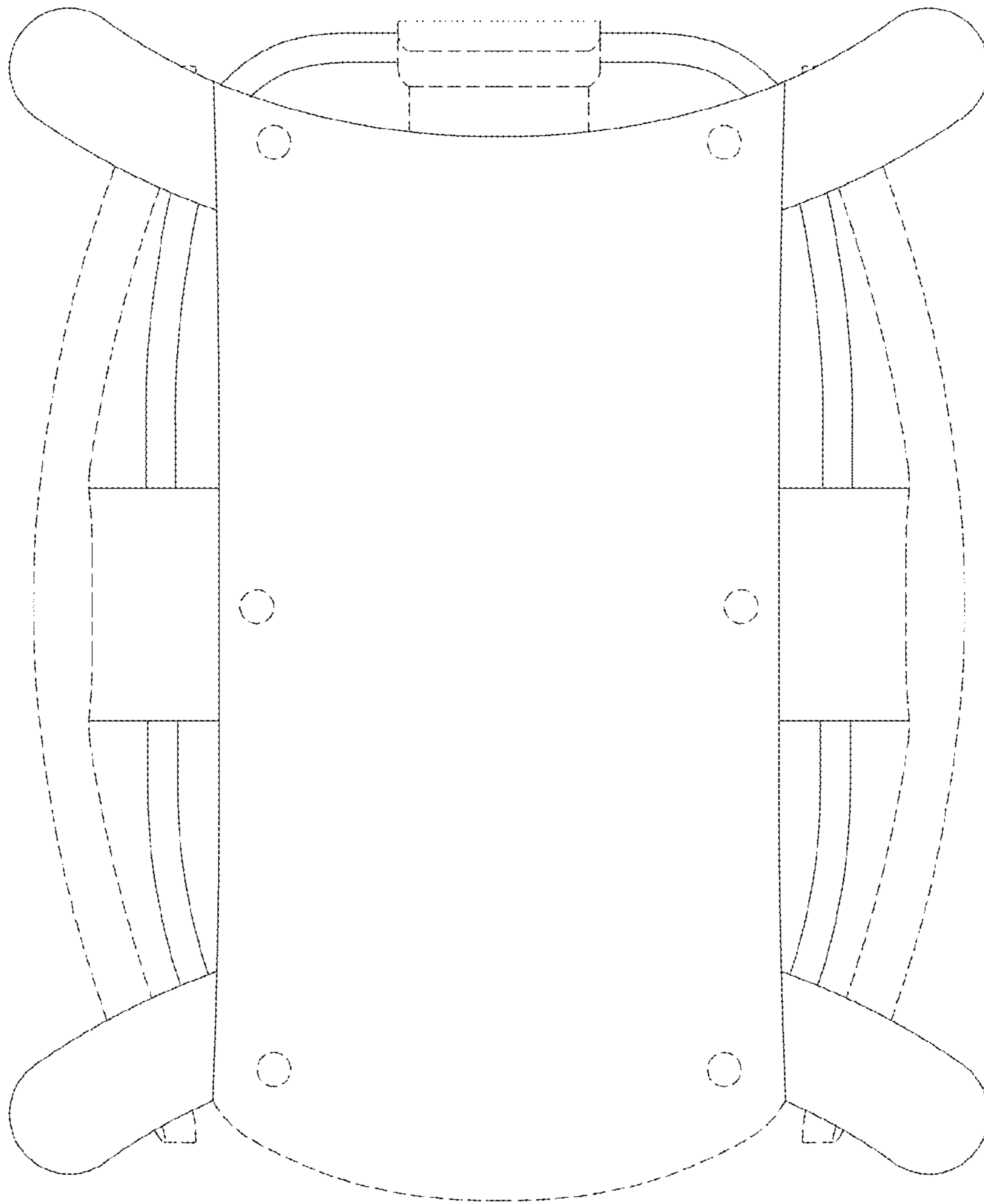


FIG.3

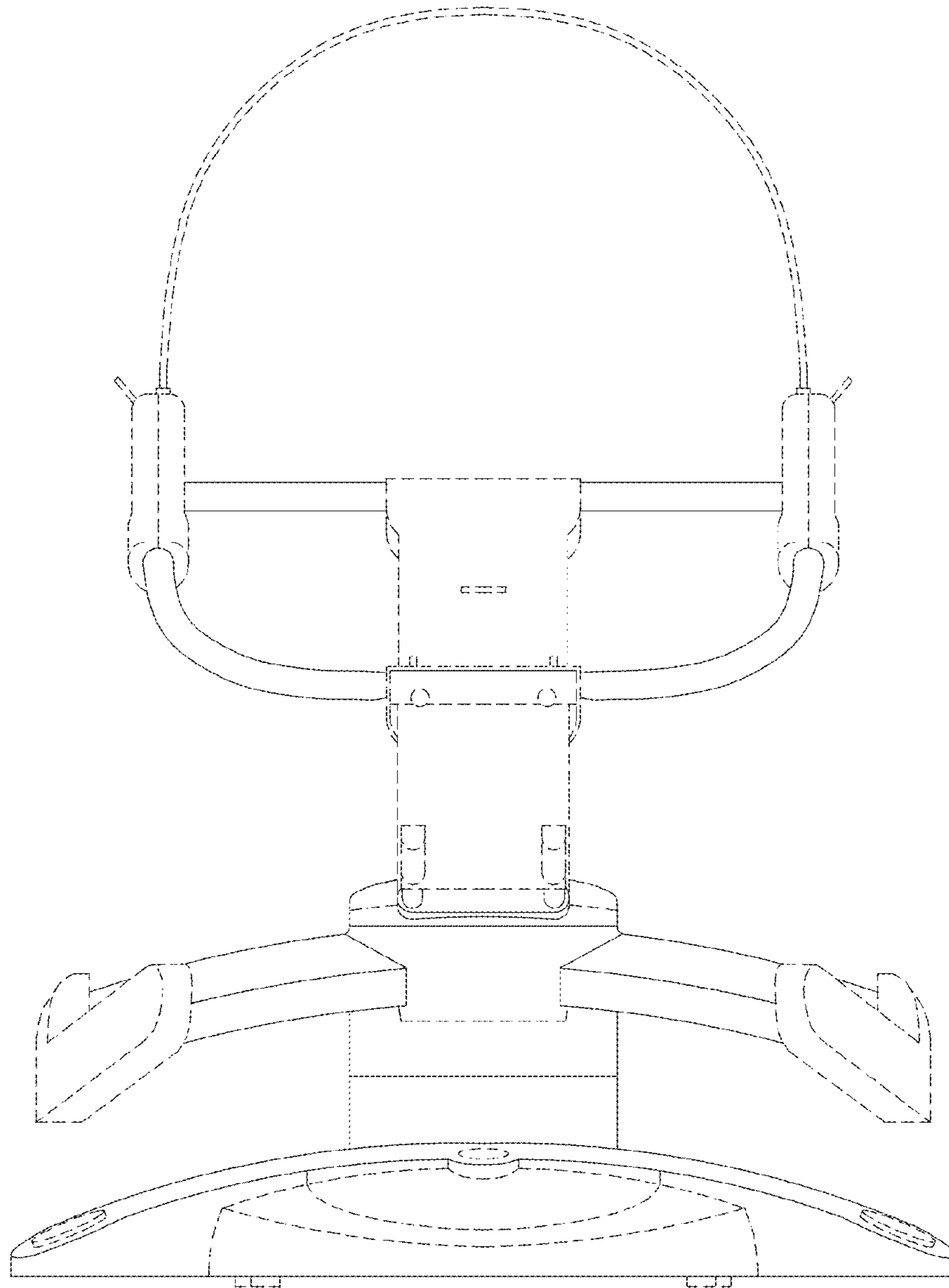


FIG.4

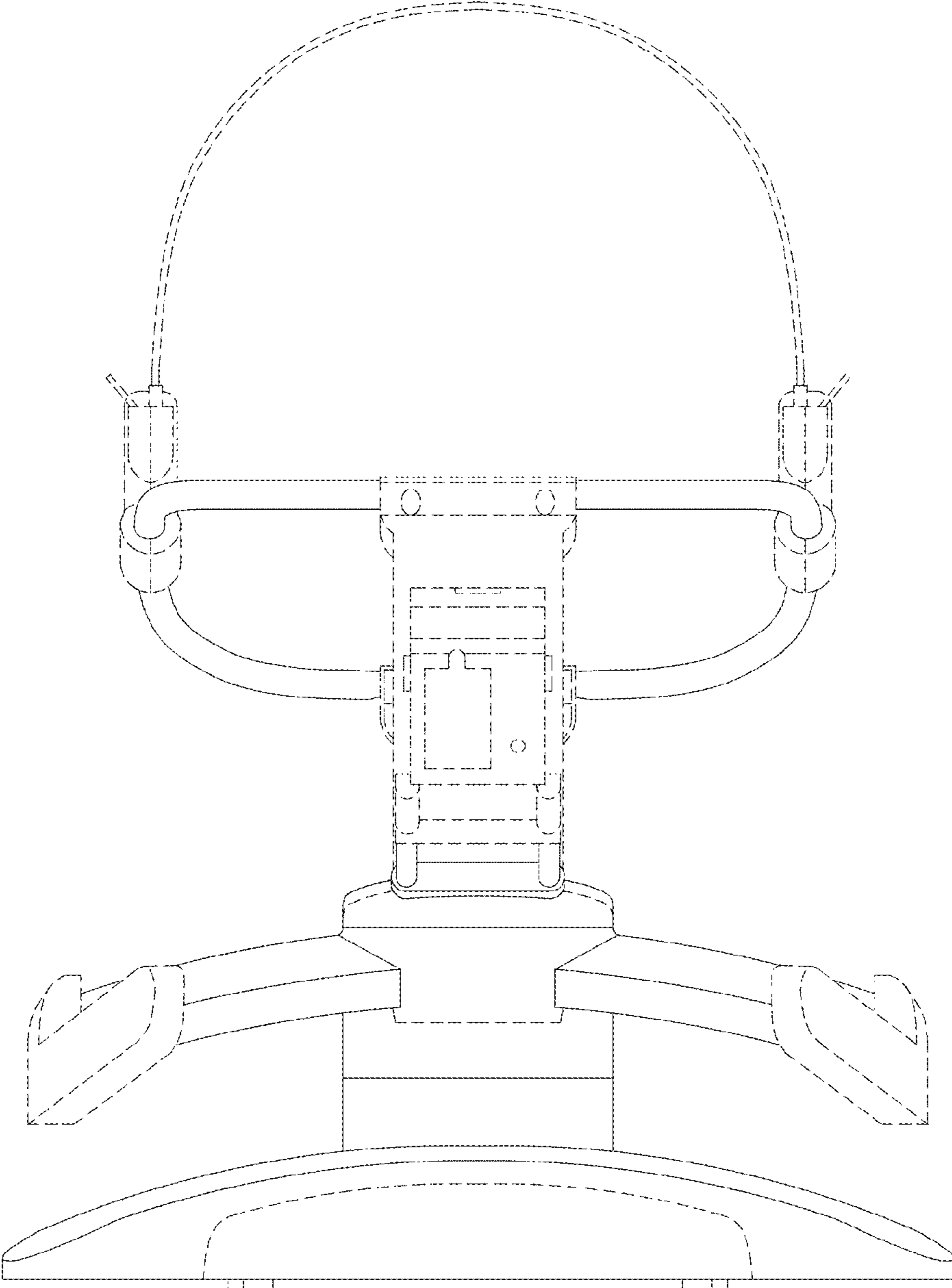


FIG. 5

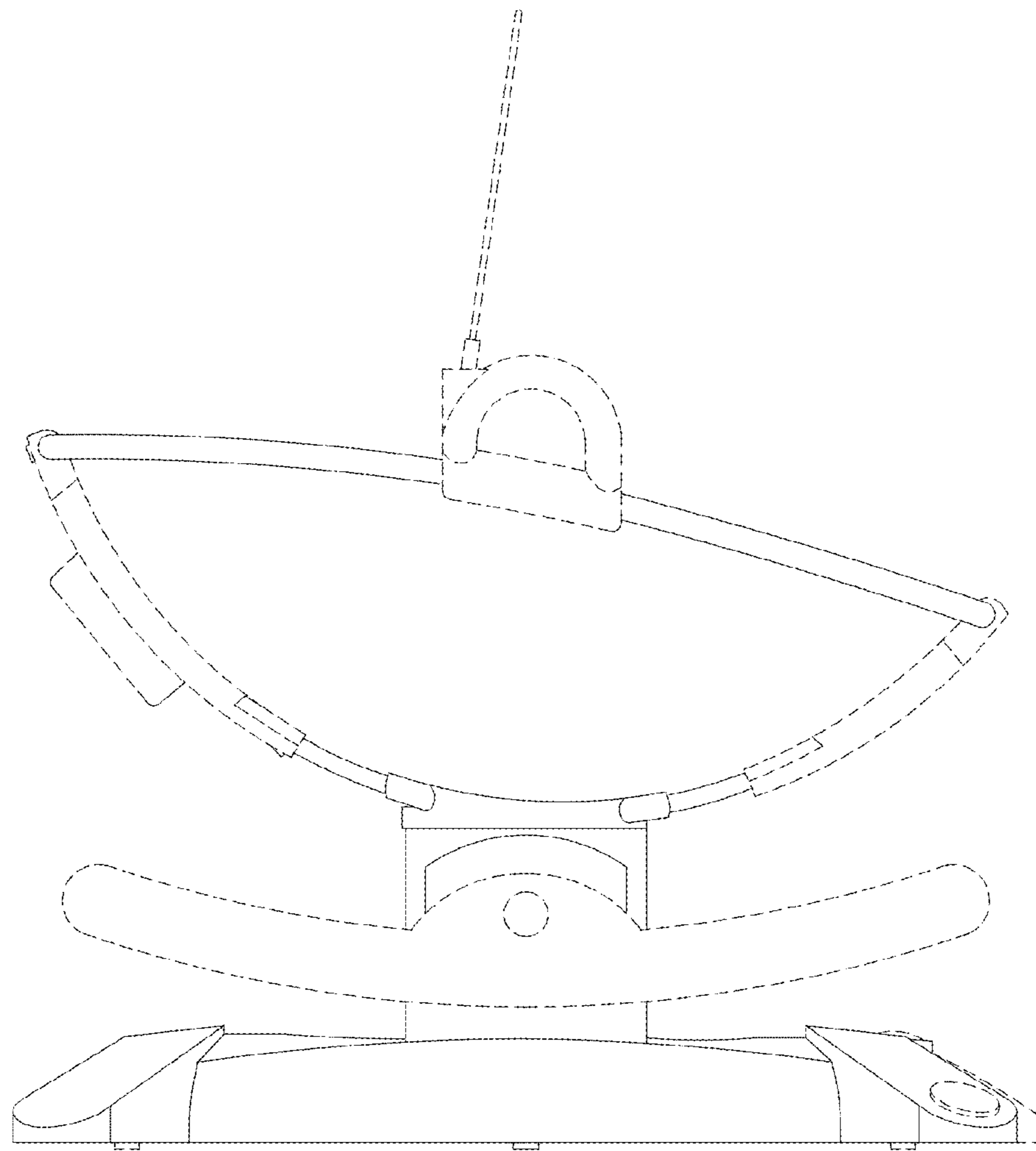


FIG.6



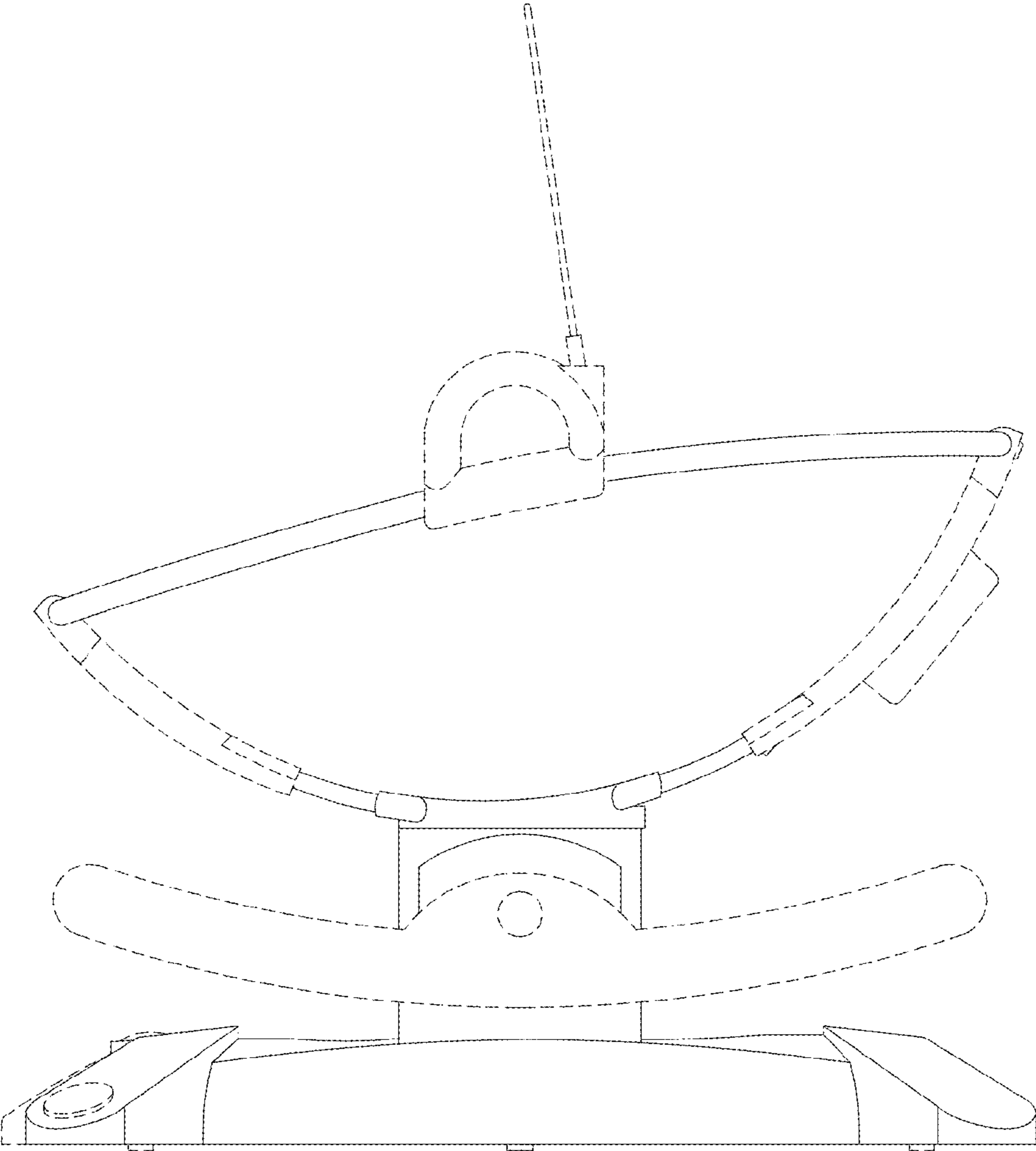


FIG.7