



US00D767311S

(12) **United States Design Patent** (10) **Patent No.:** **US D767,311 S**
Hrovat (45) **Date of Patent:** **** Sep. 27, 2016**

(54) **EXTENDABLE SHELF RAIL**
(71) Applicant: **H&H System GmbH, Strobl (AT)**
(72) Inventor: **Heimo Hrovat, Bad Ischl (AT)**
(73) Assignee: **H & H System GmbH, Strobl (AT)**
(**) Term: **14 Years**
(21) Appl. No.: **29/515,471**
(22) Filed: **Jan. 23, 2015**

(30) **Foreign Application Priority Data**

Aug. 12, 2014 (EM) 002518225-0001

(51) **LOC (10) Cl.** **06-04**

(52) **U.S. Cl.**
USPC **D6/705; D6/705.7**

(58) **Field of Classification Search**
USPC 211/26; D6/704-705, 705.7, 702, 717;
D8/376-377, 380, 374-375; 248/200,
248/200.1, 201, 205.1; 312/330.1, 334.1,
312/334.8, 334.21, 344.32; 384/20-21
CPC A47B 88/0477; A47B 88/12; A47B
88/0488; A47B 88/0466; A47B 88/04;
A47B 88/0085; A47B 88/16

See application file for complete search history.

(56) **References Cited**

U.S. PATENT DOCUMENTS

D428,285 S * 7/2000 Hughes D8/374
D444,332 S * 7/2001 Zemke, Jr. D6/705
D470,689 S * 2/2003 High D8/382
6,712,435 B2 * 3/2004 Kim A47B 88/047
312/319.1
7,108,143 B1 * 9/2006 Lin A47B 88/04
211/126.15
D535,404 S * 1/2007 Bordewyk D25/38.1
D600,948 S * 9/2009 Glover D6/705
D637,026 S * 5/2011 Lin D6/374
D674,219 S * 1/2013 Kim D6/702
D676,264 S * 2/2013 Lee D6/717
D677,502 S * 3/2013 Ryan D6/707.22

D716,090 S * 10/2014 Schepens D6/705.7
8,899,703 B2 * 12/2014 Chung A47B 88/0477
312/333
2008/0122333 A1 * 5/2008 Tseng A47B 88/10
312/333
2011/0290746 A1 * 12/2011 Lu H05K 7/1489
211/26
2013/0028544 A1 * 1/2013 Lowe A47B 88/047
384/21
2013/0106271 A1 * 5/2013 Anderson A47B 88/0418
312/334.9
2014/0327351 A1 * 11/2014 Chung A47B 88/0477
312/333
2014/0346941 A1 * 11/2014 Gasser A47B 88/04
312/334.1
2015/0076983 A1 * 3/2015 Lindblom A47B 88/0455
312/333
2015/0084494 A1 * 3/2015 Tonthat A47B 88/044
312/333
2015/0270665 A1 * 9/2015 Chen A47B 88/08
439/121
2015/0342346 A1 * 12/2015 Lachman A47B 88/0418
312/333
2016/0128475 A1 * 5/2016 Jahrling A47B 88/10
248/241
2016/0150880 A1 * 6/2016 Chen A47B 88/047
312/319.1

* cited by examiner

Primary Examiner — Rosemary K Tarcza

Assistant Examiner — James Thorn, Sr.

(74) *Attorney, Agent, or Firm* — Abelman, Frayne & Schwab

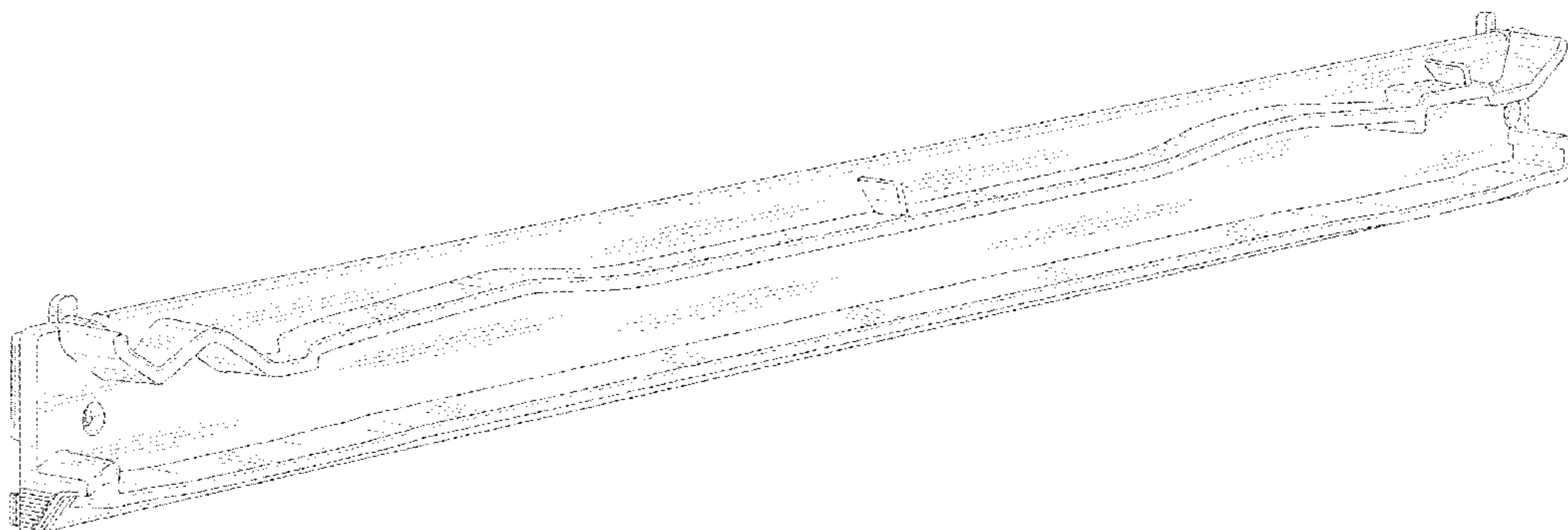
(57) **CLAIM**

The ornamental design for an extendable shelf rail, as shown and described.

DESCRIPTION

FIG. 1 is a front, top, left perspective view of an extendable shelf rail showing the new design;
FIG. 2 is a front elevation thereof;
FIG. 3 is a left side elevation thereof;
FIG. 4 is a right side elevation thereof;
FIG. 5 is a top plan thereof; and,
FIG. 6 is a bottom plan thereof.

1 Claim, 6 Drawing Sheets



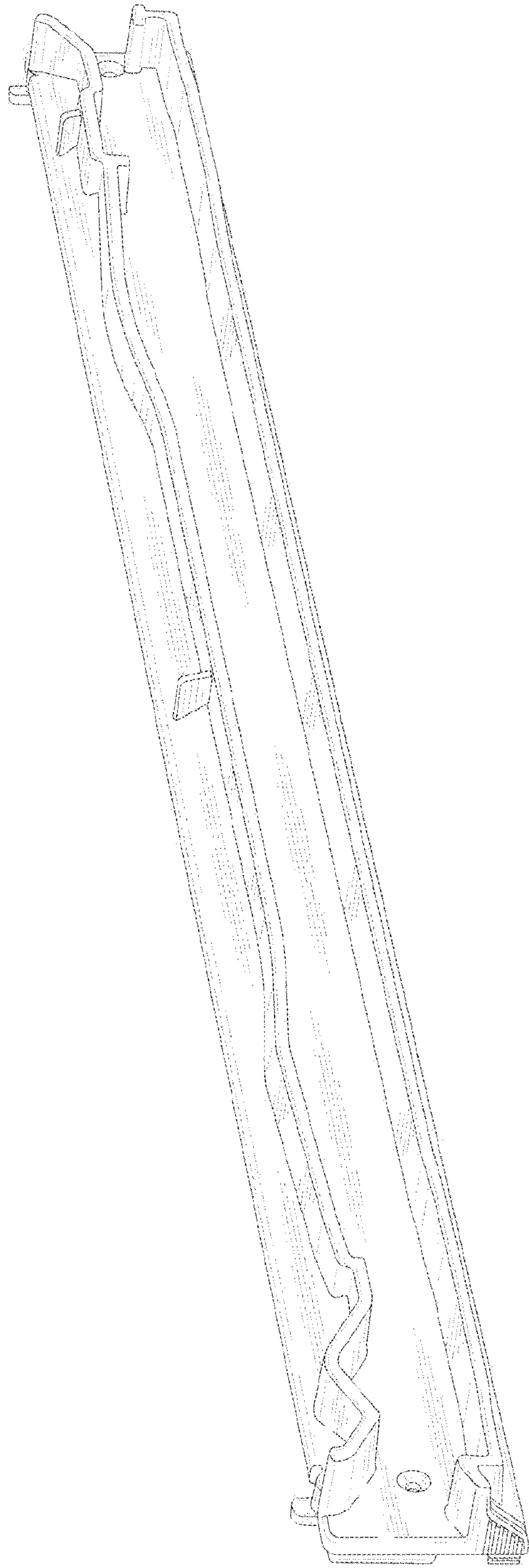


FIG. 1

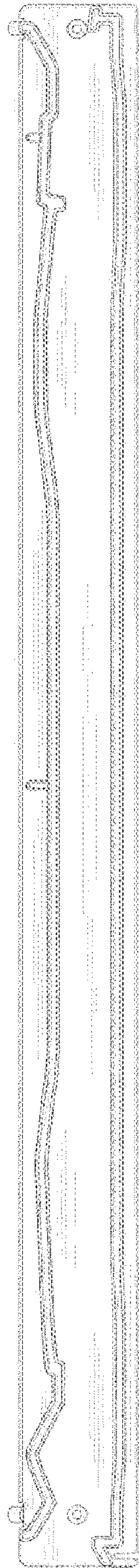


FIG. 2

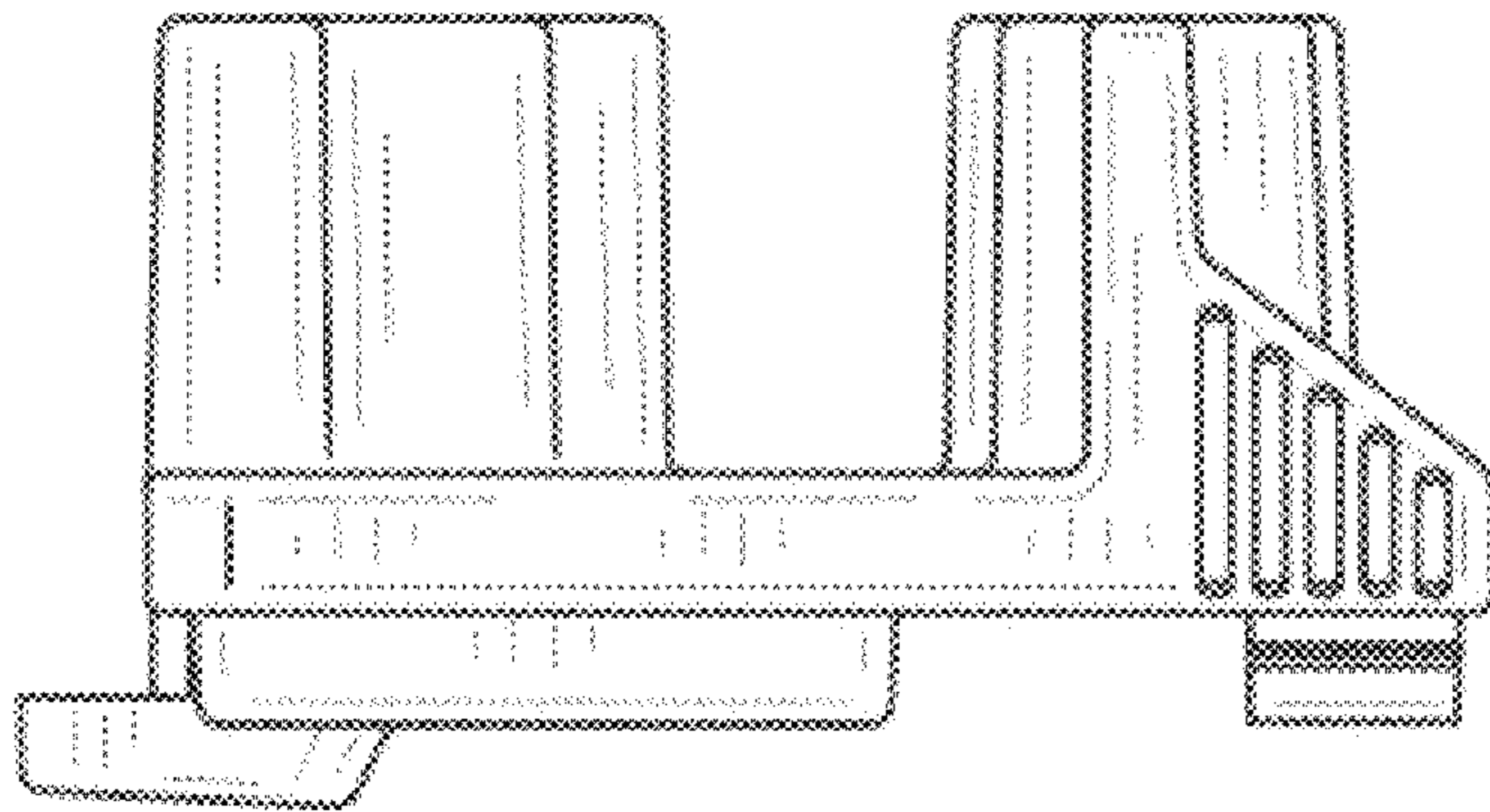


FIG. 3

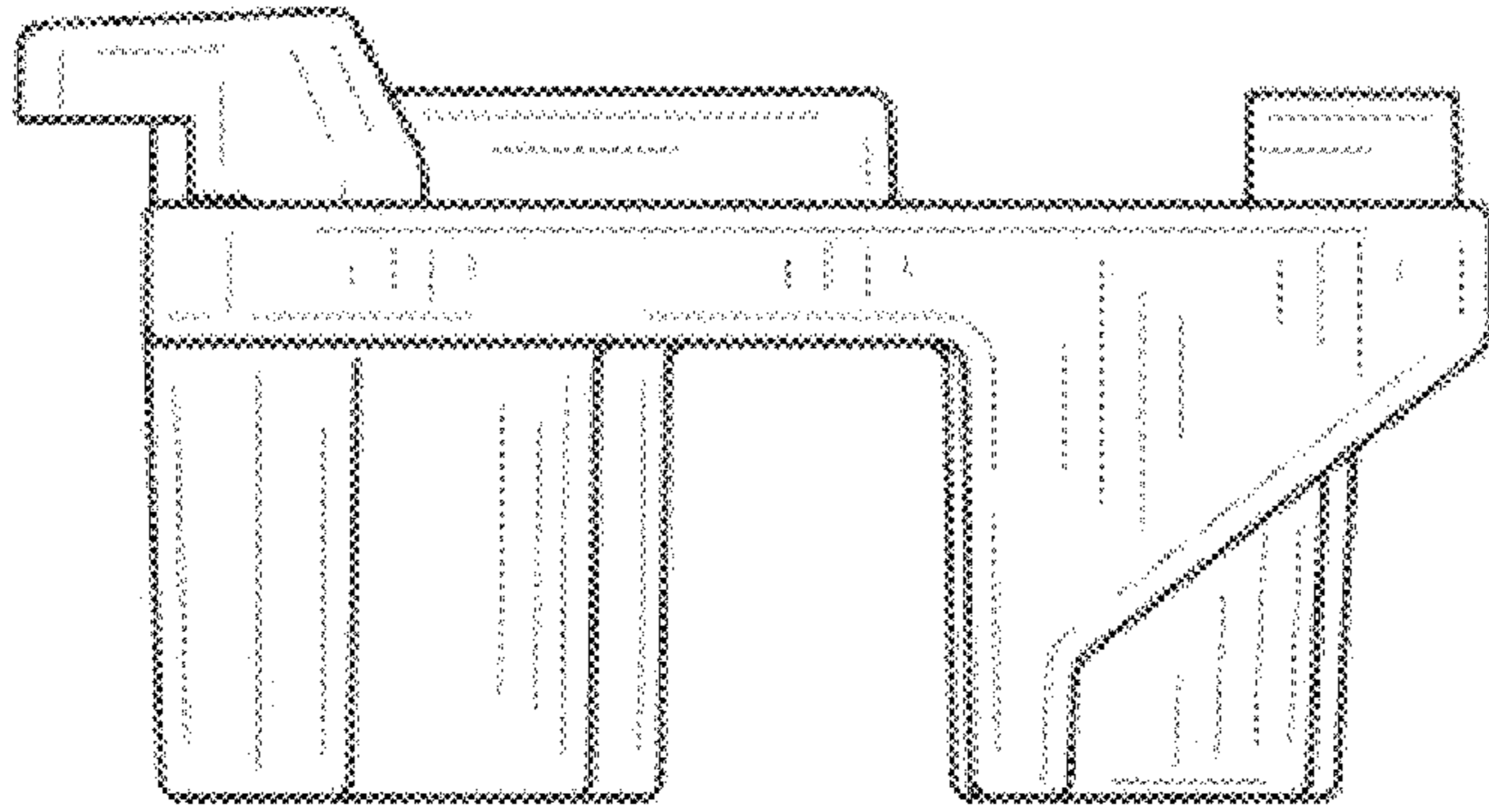


FIG. 4



FIG. 5

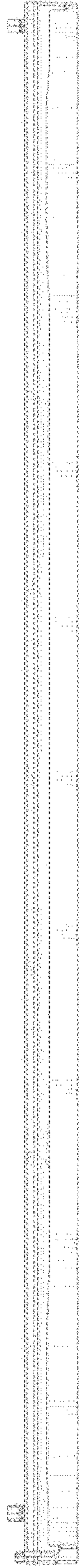


FIG. 6