



US00D767310S

(12) **United States Design Patent** (10) **Patent No.:** **US D767,310 S**  
**Akana et al.** (45) **Date of Patent:** **\*\* Sep. 27, 2016**

(54) **TABLE**

(71) Applicant: **Apple Inc.**, Cupertino, CA (US)

(72) Inventors: **Jody Akana**, San Francisco, CA (US); **Bartley K. Andre**, Palo Alto, CA (US); **Shota Aoyagi**, San Francisco, CA (US); **Anthony Michael Ashcroft**, San Francisco, CA (US); **Jeremy Bataillou**, San Francisco, CA (US); **Daniel J. Coster**, San Francisco, CA (US); **Daniele De Iuliis**, San Francisco, CA (US); **Christopher M. Green**, Woodside, CA (US); **M. Evans Hankey**, San Francisco, CA (US); **Julian Hoenig**, San Francisco, CA (US); **Richard P. Howarth**, San Francisco, CA (US); **Jonathan P. Ive**, San Francisco, CA (US); **Duncan Robert Kerr**, San Francisco, CA (US); **Kully Kraig Mandon**, San Francisco, CA (US); **Matthew Dean Rohrbach**, San Francisco, CA (US); **Peter Russell-Clarke**, San Francisco, CA (US); **Benjamin Andrew Shaffer**, San Jose, CA (US); **Jonathan P. Siegel**, San Francisco, CA (US); **Mikael Silvano**, San Francisco, CA (US); **Christopher J. Stringer**, Woodside, CA (US); **Eugene Antony Whang**, San Francisco, CA (US); **Rico Zörkendörfer**, San Francisco, CA (US)

(73) Assignee: **Apple Inc.**, Cupertino, CA (US)

(\*\*) Term: **14 Years**

(21) Appl. No.: **29/501,029**

(22) Filed: **Aug. 29, 2014**

**Related U.S. Application Data**

(63) Continuation-in-part of application No. 29/493,878, filed on Jun. 13, 2014.

(51) **LOC (10) Cl.** ..... **06-03**

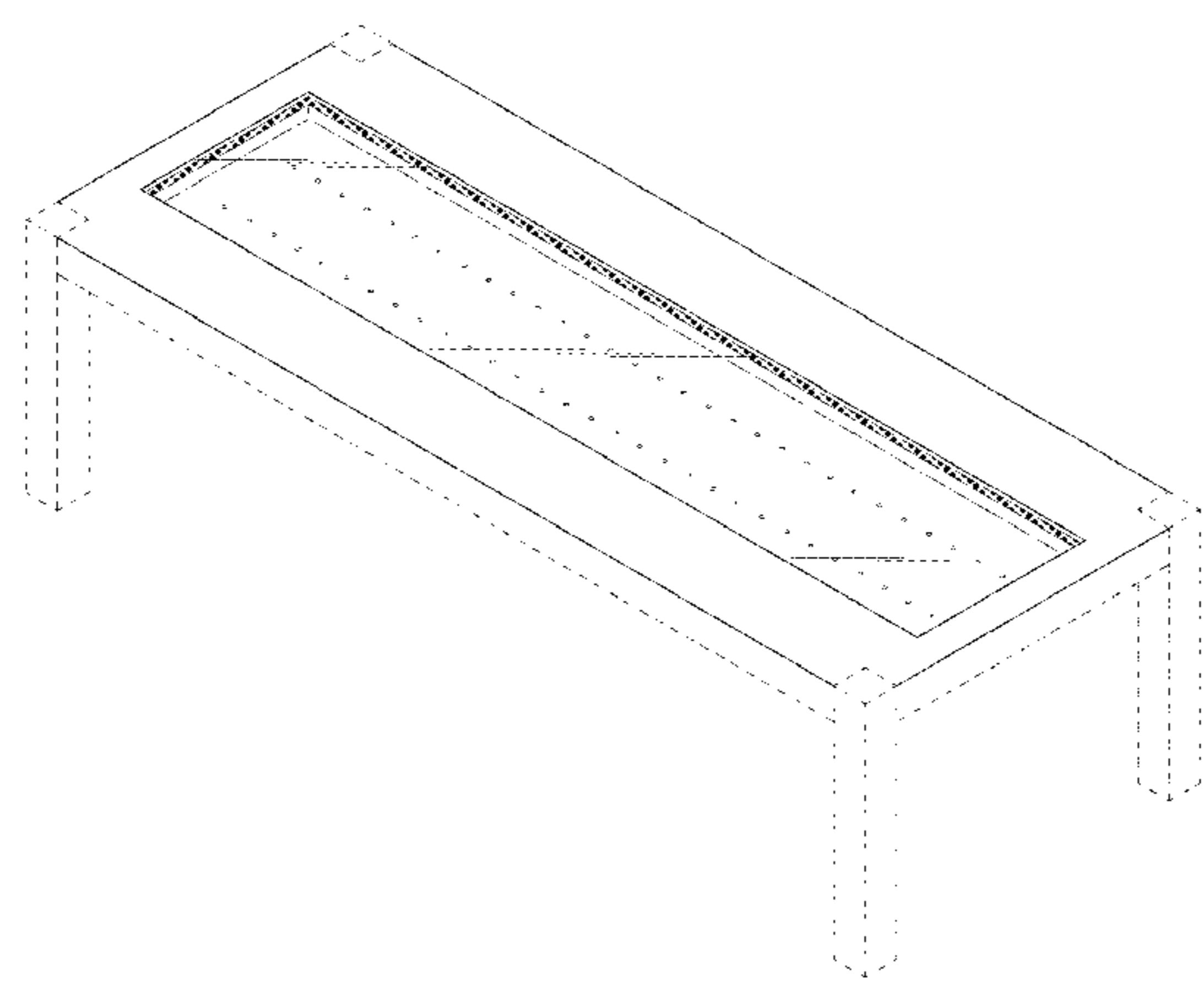
(52) **U.S. Cl.**  
USPC ..... **D6/691**

(58) **Field of Classification Search**  
USPC ..... D6/691, 691.6, 692, 692.4, 707.17, D6/656.13, 688.14, 662.1, 675; 108/155, 108/150  
CPC ..... A47B 7/00; A47B 13/00; A47B 13/04; A47B 13/06; A47B 91/005; A47B 3/00; A47B 3/0818; A47B 3/087; A47B 17/00; A47B 21/00  
See application file for complete search history.

(56) **References Cited**

**U.S. PATENT DOCUMENTS**

D399,684	S	*	10/1998	Glass	.....	D6/647
D424,841	S	*	5/2000	Newhouse	.....	D6/691
D426,405	S	*	6/2000	Newhouse	.....	D6/691
D447,892	S	*	9/2001	Shih	.....	D6/691
D459,621	S	*	7/2002	O'Hare	.....	D6/691
D513,676	S	*	1/2006	Vaaler	.....	D6/691
D518,981	S	*	4/2006	O'Hare	.....	D6/691
D522,274	S		6/2006	Coval		
D591,079	S		4/2009	Singler et al.		
D591,979	S		5/2009	Singler et al.		
D604,063	S	*	11/2009	Oshinomi	.....	D6/656.16
D613,968	S	*	4/2010	Lambert	.....	D6/689
D647,333	S	*	10/2011	Navone	.....	D6/691
D649,380	S	*	11/2011	Townsend	.....	D6/691
D655,949	S	*	3/2012	Villiers	.....	D6/691
D657,978	S		4/2012	Hamm et al.		
D659,433	S	*	5/2012	Starck	.....	D6/656.19
D661,129	S	*	6/2012	Schweikarth	.....	D6/349
D670,104	S	*	11/2012	Li	.....	D6/691
D678,696	S		3/2013	Hamm et al.		
D679,521	S		4/2013	Hamm et al.		
D688,494	S		8/2013	Hamm et al.		
D693,156	S		11/2013	Hamm et al.		
D713,658	S		9/2014	Tio et al.		
D753,419	S	*	4/2016	Heirakuji	.....	D6/675
2009/0095204	A1	*	4/2009	Levy	.....	A47B 7/02 108/17
2010/0290215	A1	*	11/2010	Metcalf	.....	A47B 21/00 362/127
2015/0150370	A1	*	6/2015	Korb	.....	A47B 13/06 108/155



FOREIGN PATENT DOCUMENTS

DE	40110180	7/2003
KR	167611	8/1995
WO	DM/078433	6/2012

OTHER PUBLICATIONS

Japanese Patent Office Document HB06003569, dated by JPO Oct. 31, 1993.

Japanese Patent Office Document HA14019873, dated by JPO Dec. 1, 2012.

Japanese Patent Office Document HA24006766, dated by JPO Sep. 1, 2012.

Japanese Patent Office Document HC13007386.

Neil Hughes, "Apple retail stores 'bulging at the seams' at 8400 average square feet," Appleinsider.com, dated May 8, 2012, accessed at <[http://appleinsider.com/articles/12/05/08/apple\\_retail\\_stores\\_bulging\\_at\\_the\\_seams\\_at\\_8400\\_average\\_square\\_feet](http://appleinsider.com/articles/12/05/08/apple_retail_stores_bulging_at_the_seams_at_8400_average_square_feet)>, accessed on Oct. 10, 2014, 2 pages.

Valentina Palladino, "Apple Store Receives Trademark for 'Distinctive Design and Layout,'" Wired.com, dated Jan. 30, 2013, accessed at <<http://www.wired.com/2013/01/apple-store-trademark/>>, accessed on Oct. 10, 2014, 2 pages.

U.S. Appl. No. 29/432,722, filed Sep. 19, 2012.

U.S. Appl. No. 29/469,978, filed Oct. 16, 2013.

U.S. Appl. No. 29/471,331, filed Oct. 30, 2013.

U.S. Appl. No. 29/489,107, filed Apr. 25, 2014.

U.S. Appl. No. 29/493,878, filed Jun. 13, 2014.

U.S. Appl. No. 29/493,879, filed Jun. 13, 2014.

U.S. Appl. No. 29/495,788, filed Jul. 3, 2014.

U.S. Appl. No. 29/499,677, filed Aug. 18, 2014.

U.S. Appl. No. 29/500,951, filed Aug. 29, 2014.

\* cited by examiner

*Primary Examiner* — Rosemary K Tarcza

*Assistant Examiner* — James Thorn, Sr.

(74) *Attorney, Agent, or Firm* — Sterne, Kessler, Goldstein & Fox P.L.L.C.

(57)

**CLAIM**

The ornamental design for a table, as shown and described.

**DESCRIPTION**

FIG. 1 is a front perspective view of a table showing our new design;

FIG. 2 is a rear perspective view thereof;

FIG. 3 is a front view thereof;

FIG. 4 is a rear view thereof;

FIG. 5 is a left side view thereof;

FIG. 6 is a right side view thereof;

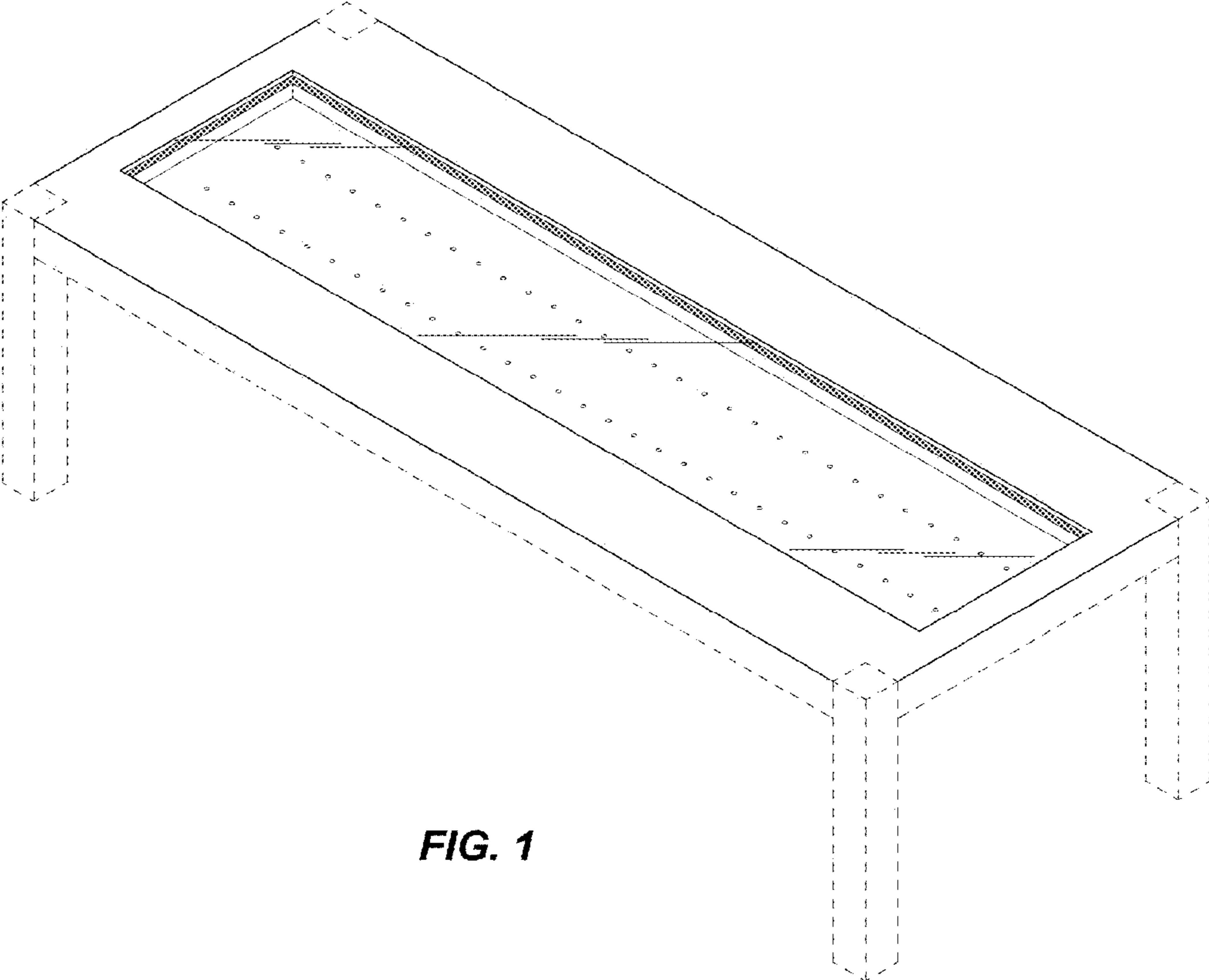
FIG. 7 is a top view thereof; and,

FIG. 8 is a bottom view thereof.

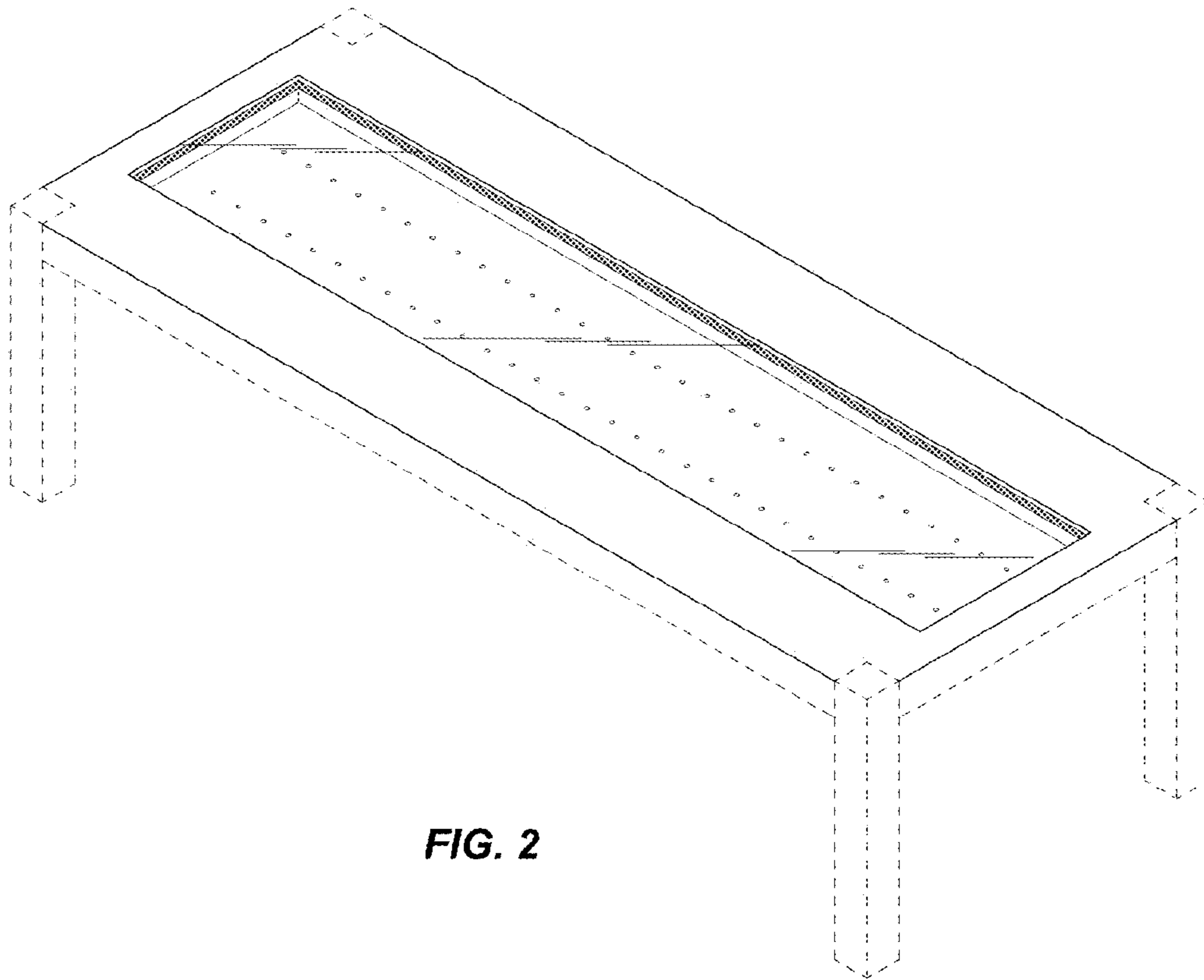
The broken lines in the Figures show portions of the table that form no part of the claimed design. The oblique shade lines in the Figures show transparency or translucency.

FIGS. 1, 2 and 7 are shaded to show a contrasting appearance. The appearance of the area shown in gray contrasts with the appearances of other claimed areas of the table.

**1 Claim, 7 Drawing Sheets**



**FIG. 1**



**FIG. 2**

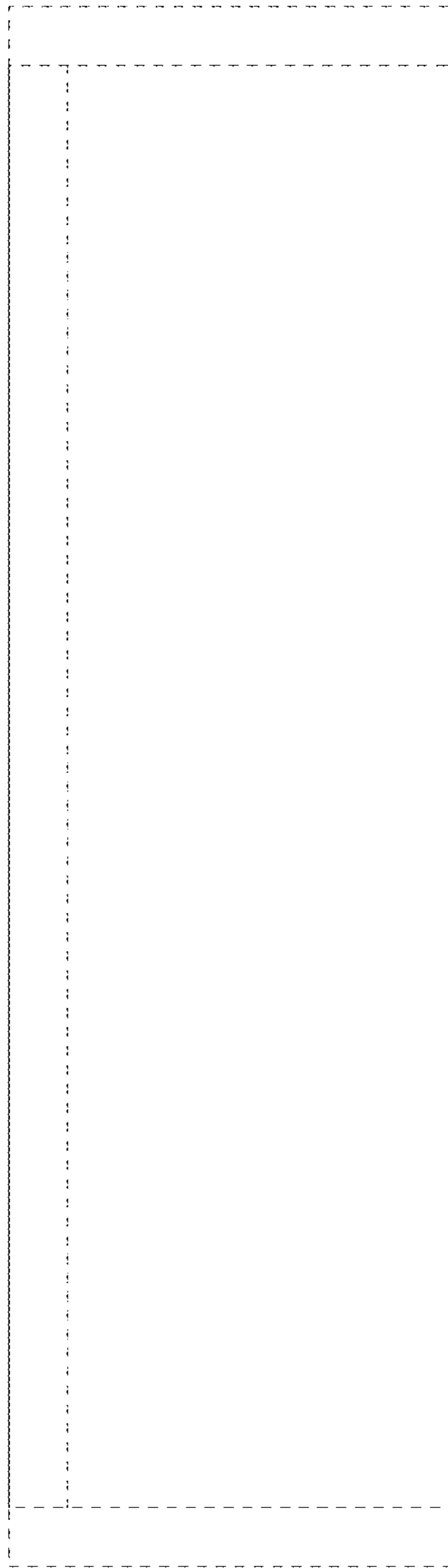
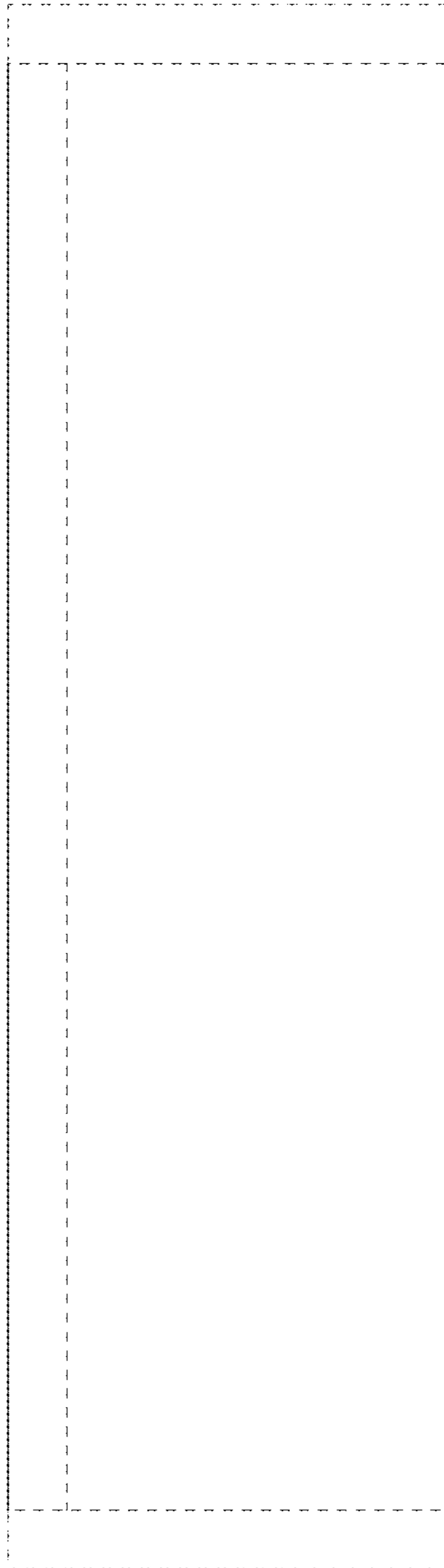


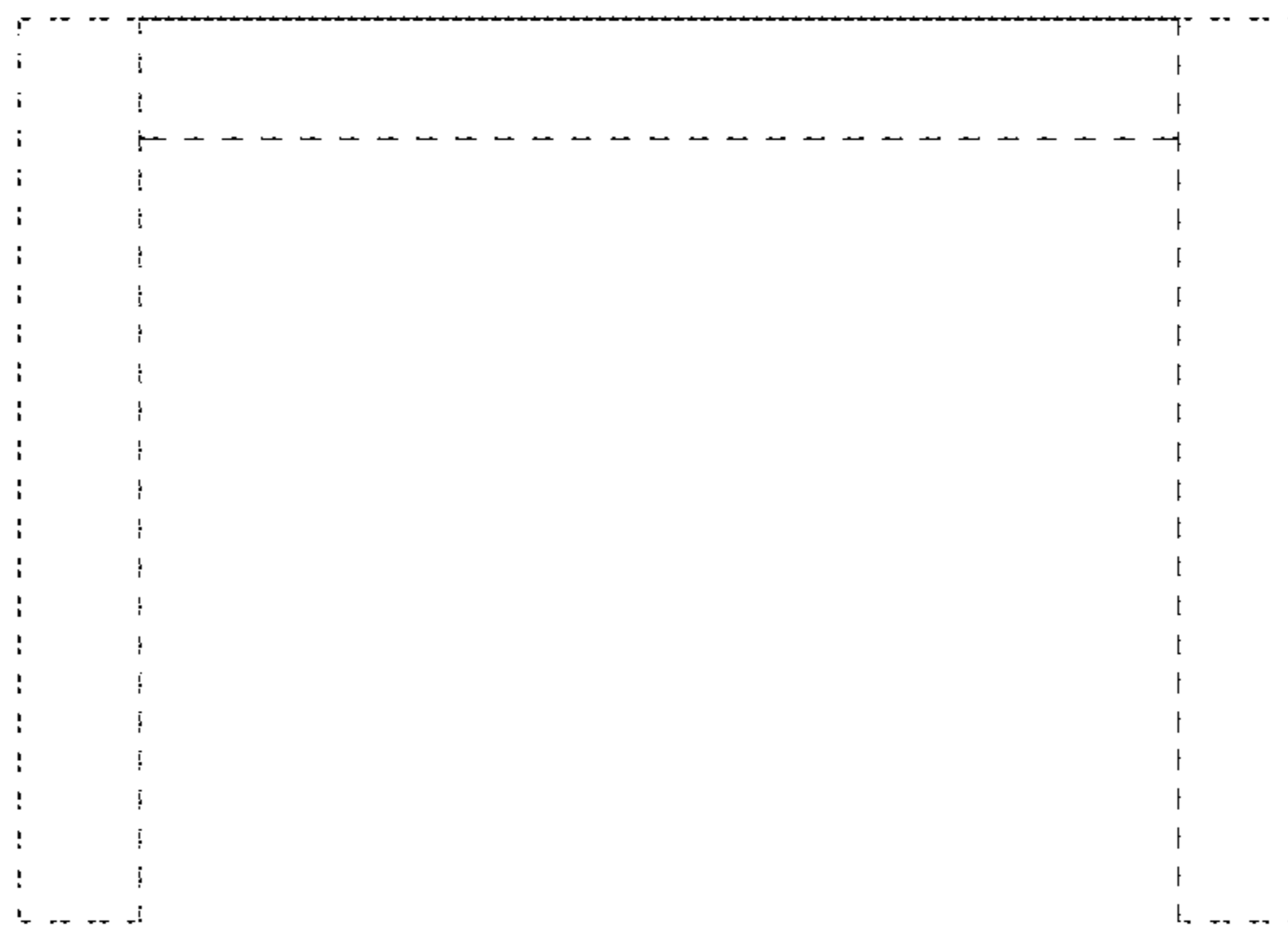
FIG. 3



**FIG. 4**



**FIG. 5**



**FIG. 6**

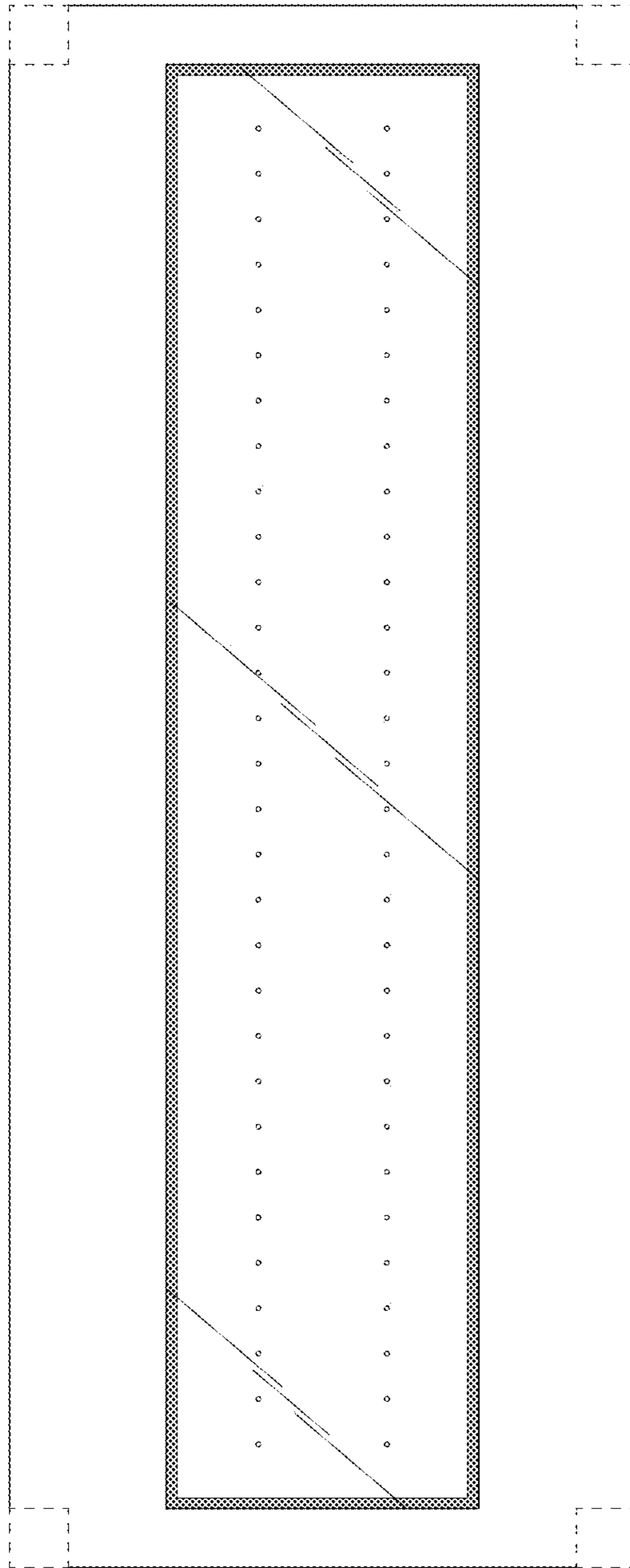
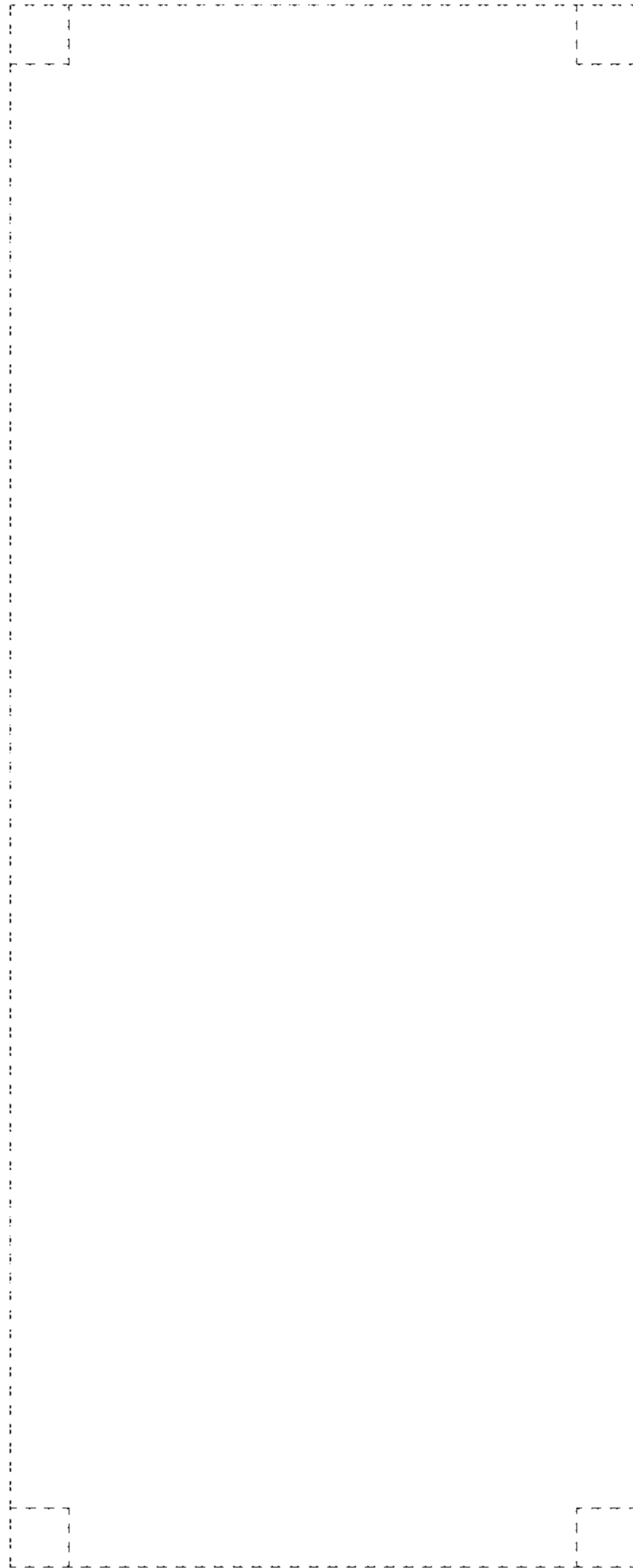


FIG. 7





**FIG. 8**