



US00D767305S

(12) **United States Design Patent**
Thorn

(10) **Patent No.:** **US D767,305 S**
(45) **Date of Patent:** **** Sep. 27, 2016**

(54) **INFLATABLE PILLOW**
(71) Applicants: **JAMES JOHN THORN**, East Sussex (GB); **OAKTHRIFT CORPORATION LTD**, Hertfordshire (GB)
(72) Inventor: **James John Thorn**, East Sussex (GB)
(73) Assignee: **OAKTHRIFT CORPORATION LTD.**, Hertfordshire (GB)

6,487,736 B1 * 12/2002 Militzer A47C 20/026
128/858
8,239,987 B2 * 8/2012 Sharp A47C 7/383
5/636
D695,044 S * 12/2013 Gumbrecht D6/601
D727,069 S * 4/2015 Ahroon D3/295
2005/0179300 A1 * 8/2005 O'Connor A47C 7/383
297/391
2015/0274044 A1 * 10/2015 Krepplein A47G 9/1081
5/636

(**) Term: **14 Years**
(21) Appl. No.: **29/502,008**
(22) Filed: **Sep. 10, 2014**

* cited by examiner
Primary Examiner — Mary Ann Calabrese
(74) *Attorney, Agent, or Firm* — Weiss & Moy, P.C.;
Veronica-Adele R. Cao

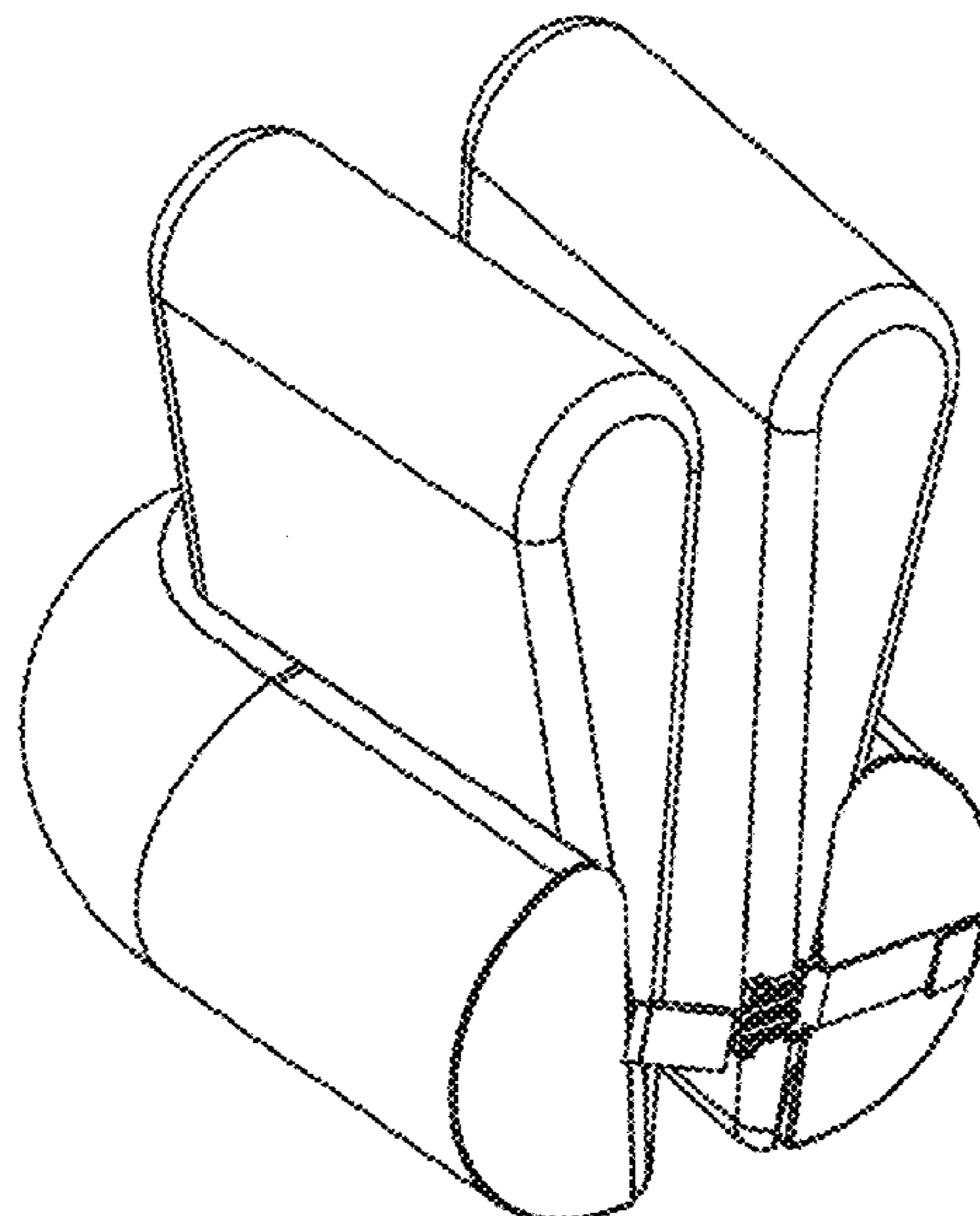
(30) **Foreign Application Priority Data**
Mar. 11, 2014 (EP) 002422782
(51) **LOC (10) Cl.** **06-09**
(52) **U.S. Cl.**
USPC **D6/604**
(58) **Field of Classification Search**
USPC D6/595–601, 604; D21/803–805;
D24/183, 191, 206
CPC A47C 7/383; A47C 20/00; A47C 20/25;
A47D 13/00; A47D 13/08; A47G 9/00;
A47G 9/10; A47G 9/1027; A47G 9/1036;
A47G 9/1081; A47G 2009/1018
See application file for complete search history.

(57) **CLAIM**
The ornamental design for an inflatable pillow, as shown and described.

(56) **References Cited**
U.S. PATENT DOCUMENTS
2,561,931 A * 7/1951 Kleiser A47G 9/10
135/90
D396,291 S * 7/1998 Bakes D24/190

DESCRIPTION
FIG. 1 is a front view of an inflatable pillow of the present invention;
FIG. 2 is a rear perspective view of the inflatable pillow of FIG. 1;
FIG. 3 is a left side view of the inflatable pillow of FIG. 1;
FIG. 4 is a right side view of the inflatable pillow of FIG. 1;
FIG. 5 is a top view of the inflatable pillow of FIG. 1;
FIG. 6 is a bottom view of the inflatable pillow of FIG. 1;
FIG. 7 is a perspective view of the inflatable pillow of FIG. 1; and,
FIG. 8 is a rear view of the inflatable pillow of FIG. 1.

1 Claim, 8 Drawing Sheets



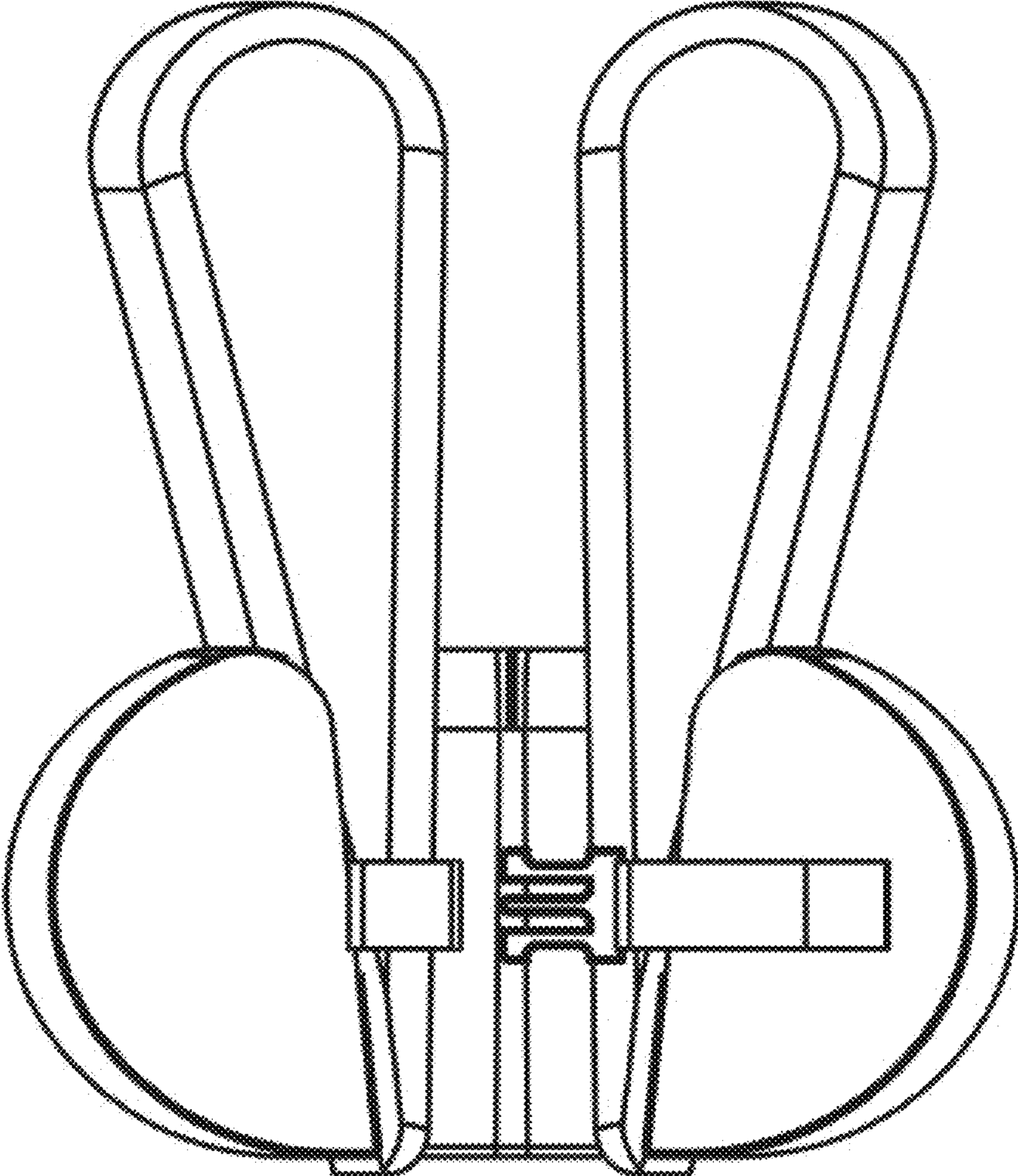


FIGURE 1

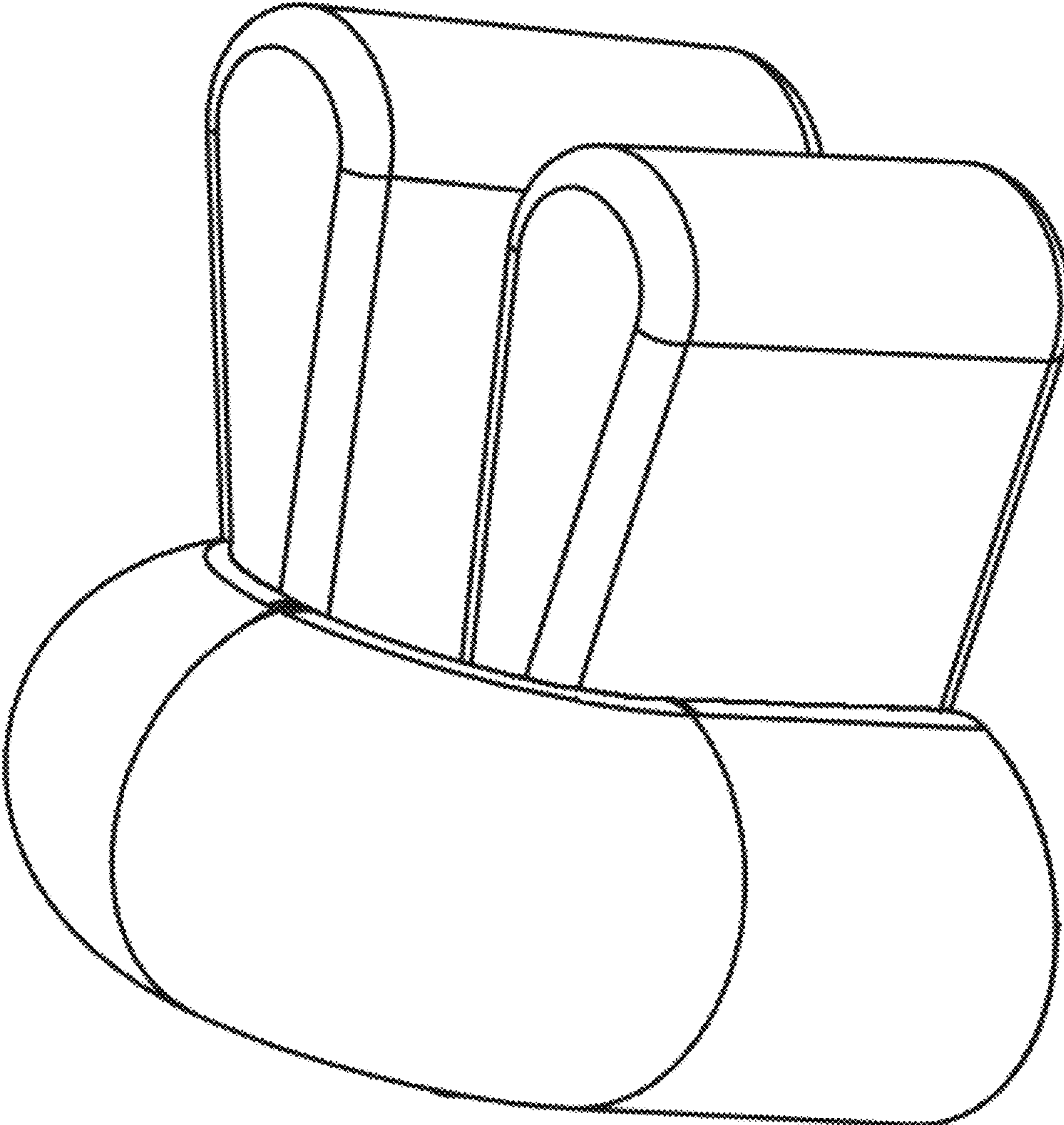


FIGURE 2

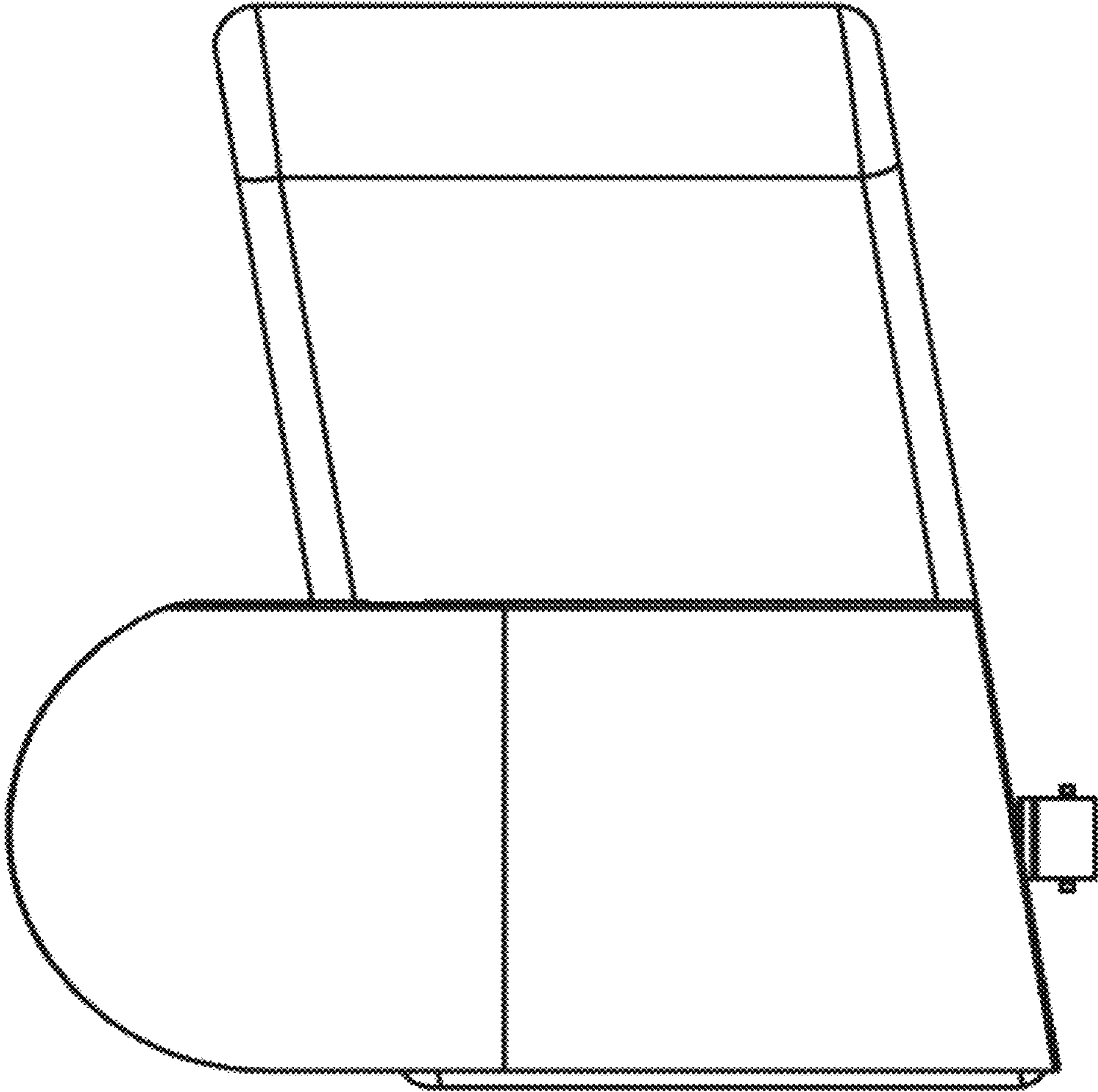


FIGURE 3

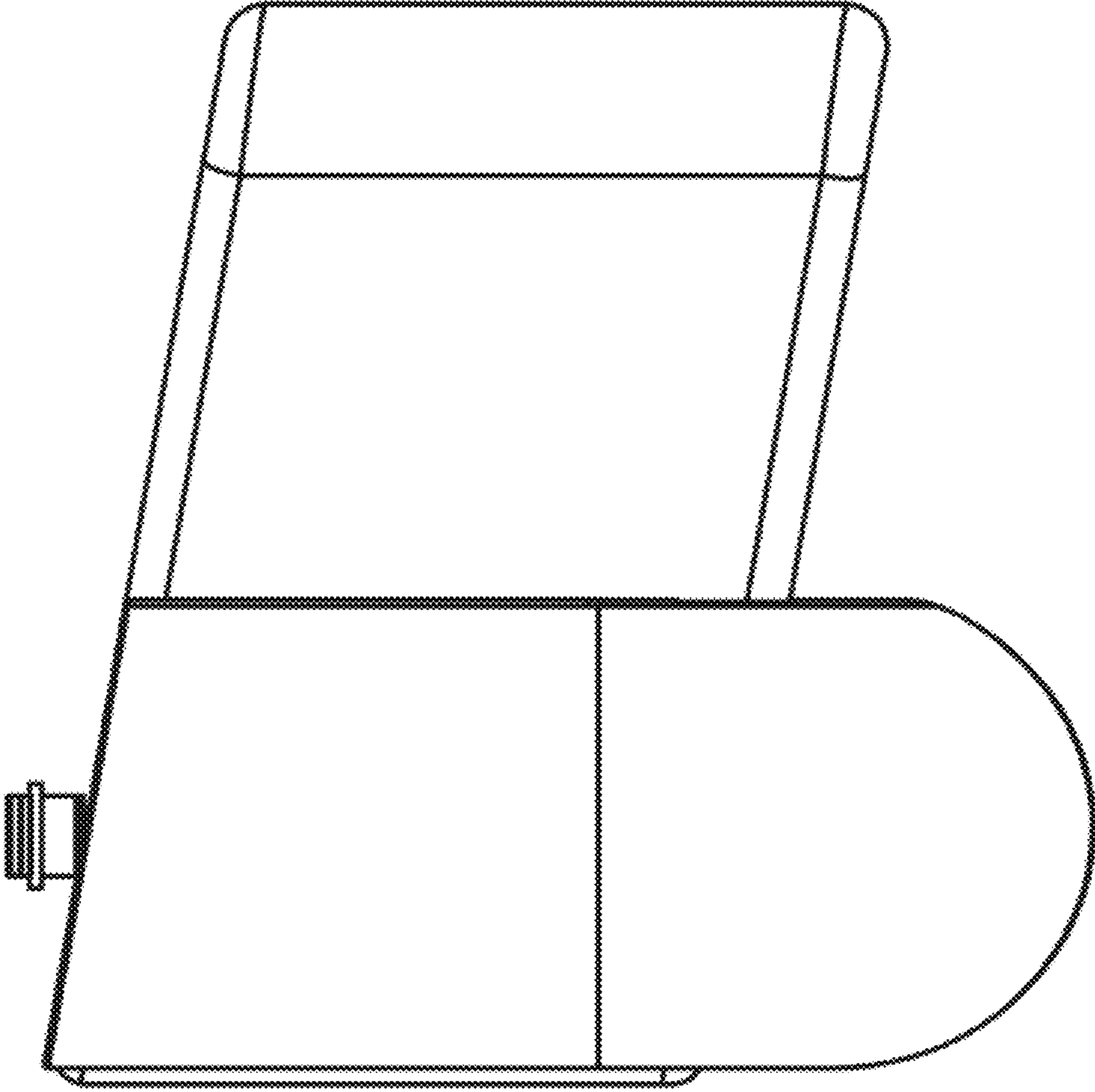


FIGURE 4

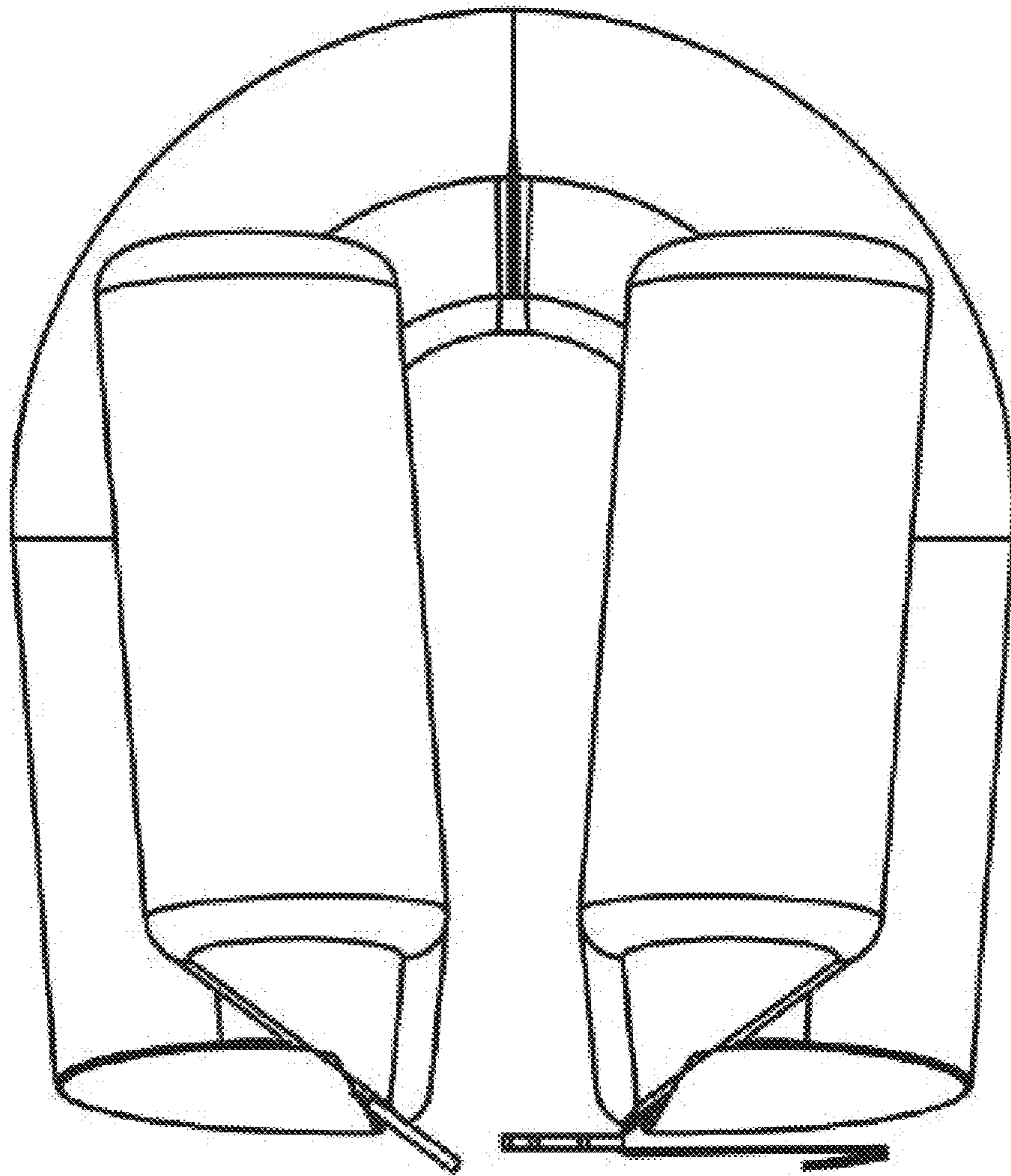


FIGURE 5

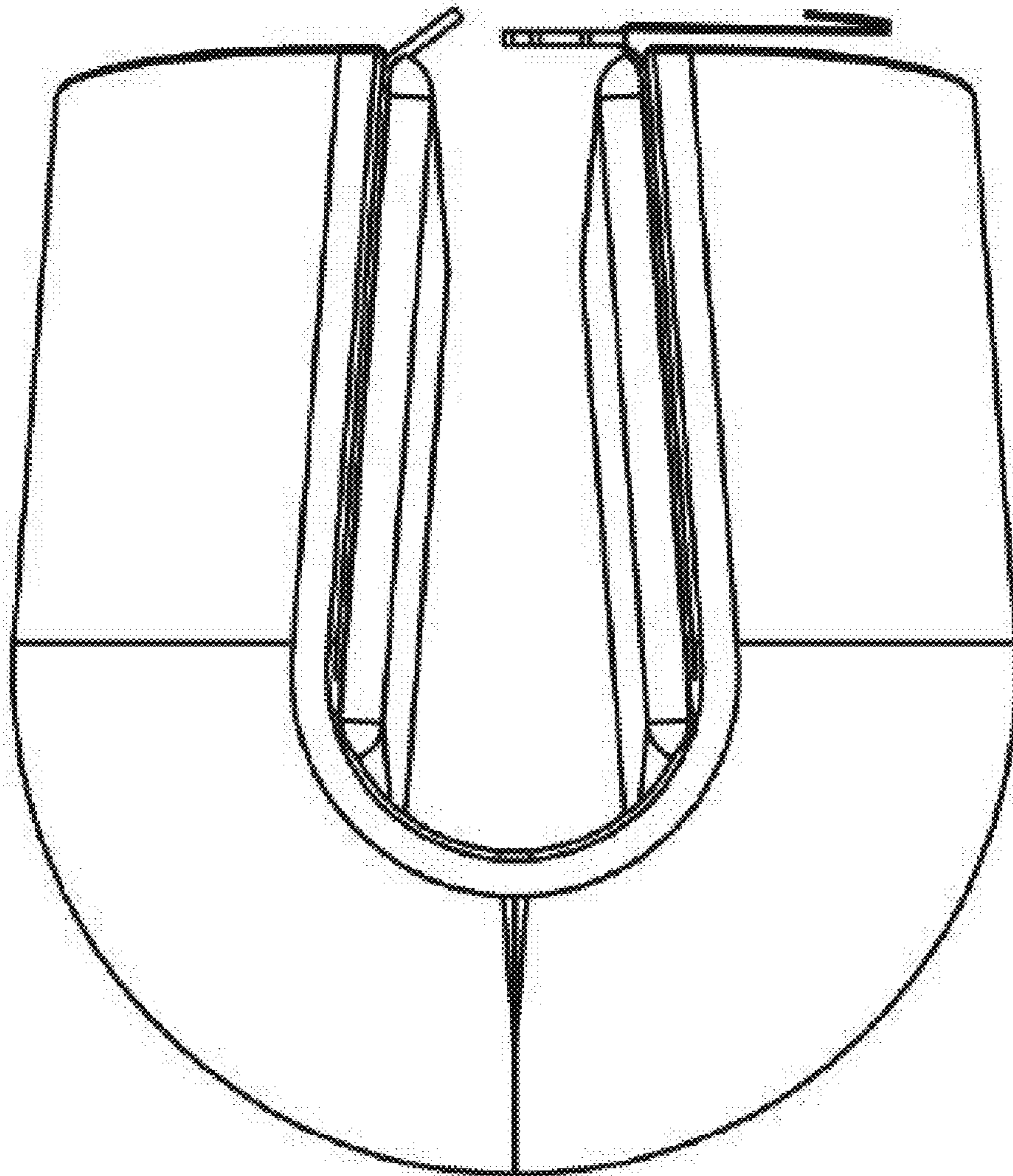


FIGURE 6

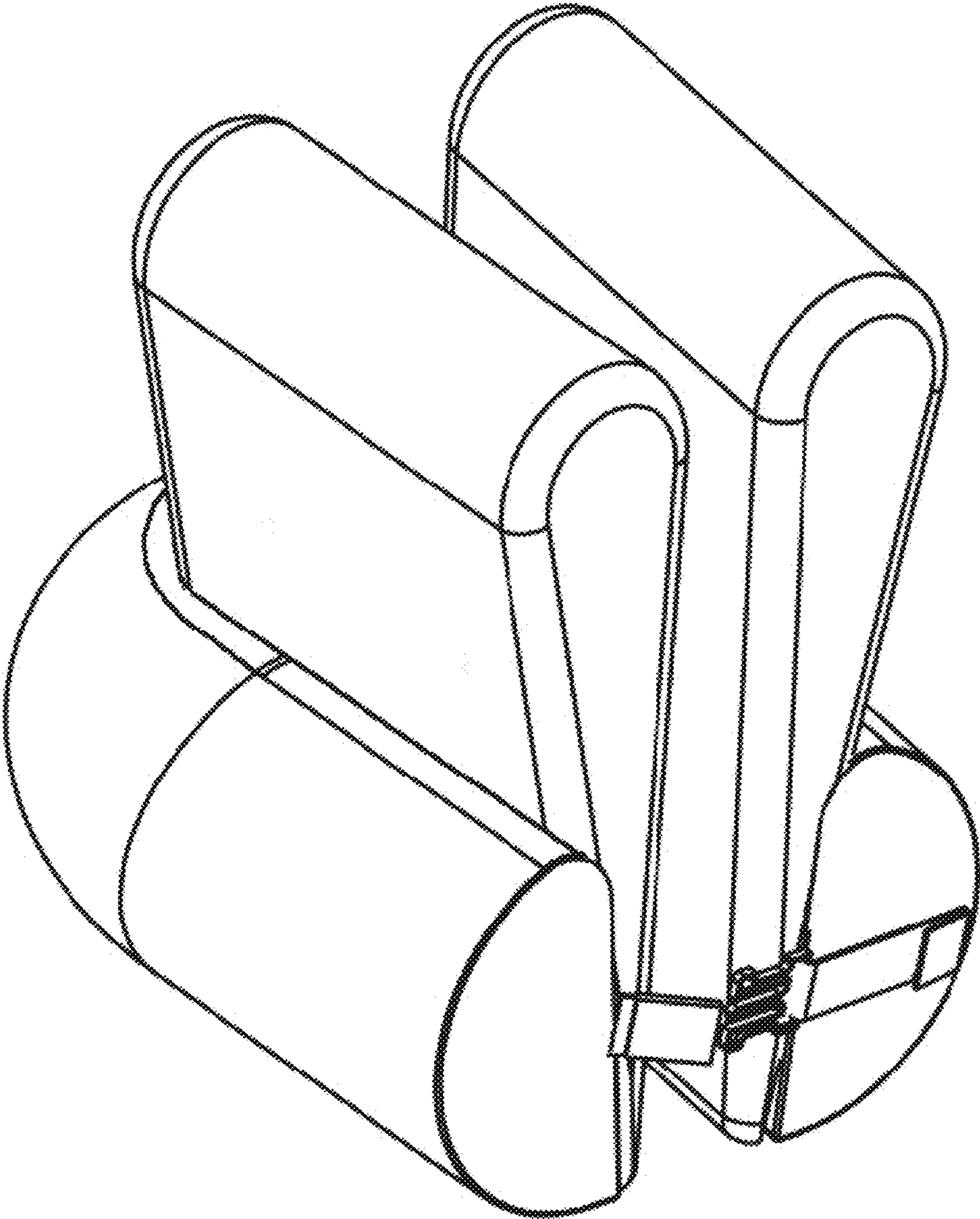


FIGURE 7

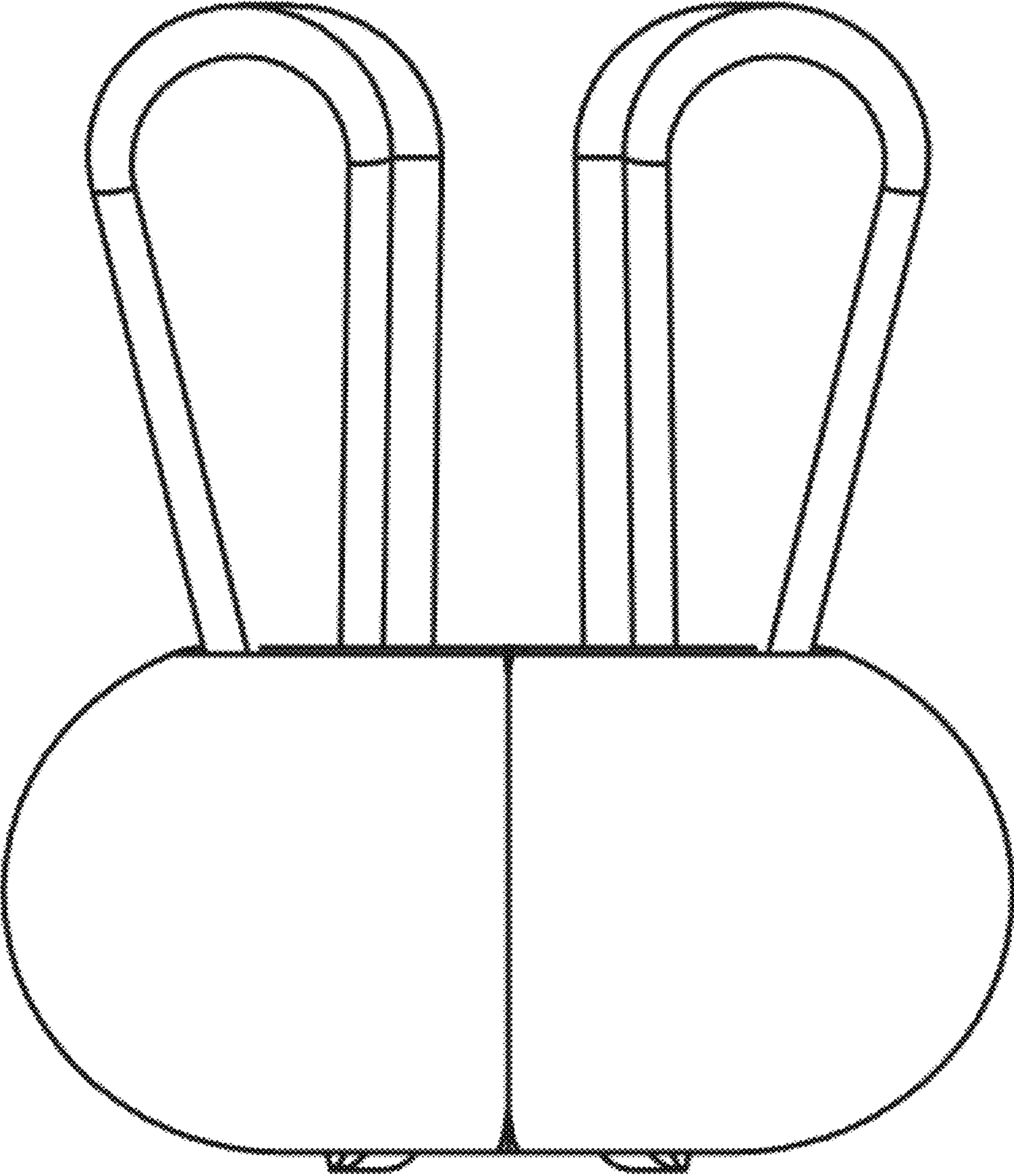


FIGURE 8