



US00D767304S

(12) **United States Design Patent** (10) **Patent No.:** **US D767,304 S**
Nye (45) **Date of Patent:** **** Sep. 27, 2016**

(54) **EXTENDABLE WINDOW BLIND**
(71) Applicant: **Oceanair Marine Ltd.**, Chichester (GB)
(72) Inventor: **Samuel John Nye**, Horsham (GB)
(73) Assignee: **Oceanair Marine Ltd.**, Chichester (GB)
(**) Term: **15 Years**
(21) Appl. No.: **29/543,035**
(22) Filed: **Oct. 20, 2015**

4,931,342 A * 6/1990 Tolbert A47K 3/38
160/84.04
D348,371 S * 7/1994 Judkins D6/577
6,283,191 B1 * 9/2001 Lo E06B 9/262
160/265
7,143,802 B2 * 12/2006 Strand E06B 9/262
160/167 R
D704,475 S * 5/2014 Cheng D6/575
2004/0261954 A1 * 12/2004 Holt E06B 9/322
160/84.05
2014/0216663 A1 * 8/2014 Lin E06B 9/262
160/84.01
2015/0013921 A1 * 1/2015 Franssen E06B 9/388
160/84.04
2015/0211294 A1 * 7/2015 Shih E06B 9/262
160/168.1 R
2015/0218879 A1 * 8/2015 Anderson E06B 9/388
49/465

Related U.S. Application Data

(62) Division of application No. 29/477,342, filed on Dec. 20, 2013, now Pat. No. Des. 743,183.

Foreign Application Priority Data

Jun. 27, 2013 (GB) 4030553

(51) **LOC (10) Cl.** **06-10**
(52) **U.S. Cl.**
USPC **D6/575**

(58) **Field of Classification Search**
USPC D6/575, 576, 577, 578, 579, 580, 581;
D8/349, 352, 353, 368, 369, 376
CPC E06B 3/285; E06B 9/24; E06B 9/262;
E06B 9/305; E06B 9/306; A47H 2201/01;
A47H 2201/02; A47H 23/00; B60J 1/2088
See application file for complete search history.

References Cited

U.S. PATENT DOCUMENTS

2,254,820 A * 9/1941 Donner E06B 9/262
160/84.04
4,651,795 A * 3/1987 Valle E06B 9/262
160/178.2
4,753,281 A * 6/1988 Wagner E06B 9/262
160/279

* cited by examiner

Primary Examiner — Karen S Acker
Assistant Examiner — Wendy Arminio

(74) *Attorney, Agent, or Firm* — Gable Gotwals

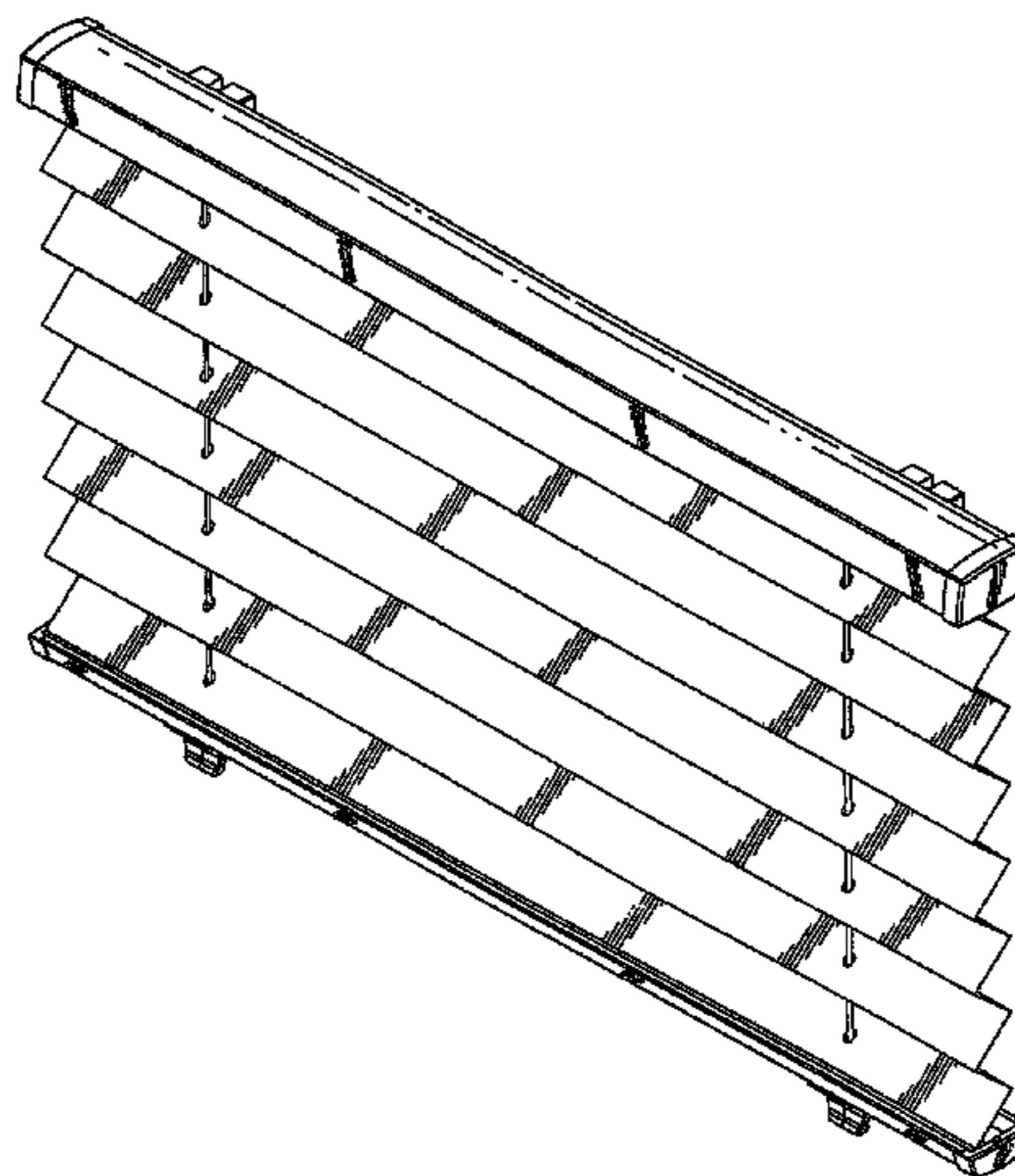
CLAIM

I claim the ornamental design for an extendable window blind, as shown and described.

DESCRIPTION

FIG. 1 is a perspective view of an extendable window blind showing my new design;
FIG. 2 is a front elevation view of the extendable window blind thereof;
FIG. 3 is a rear view of the extendable window blind thereof;
FIG. 4 is a right side view of the extendable window blind thereof.
FIG. 5 is a top plan view of the extendable window blind thereof;
FIG. 6 is a bottom plan view of the extendable window blind thereof; and,
FIG. 7 is a perspective view of the extendable window blind of FIG. 1 shown fully closed.

1 Claim, 6 Drawing Sheets



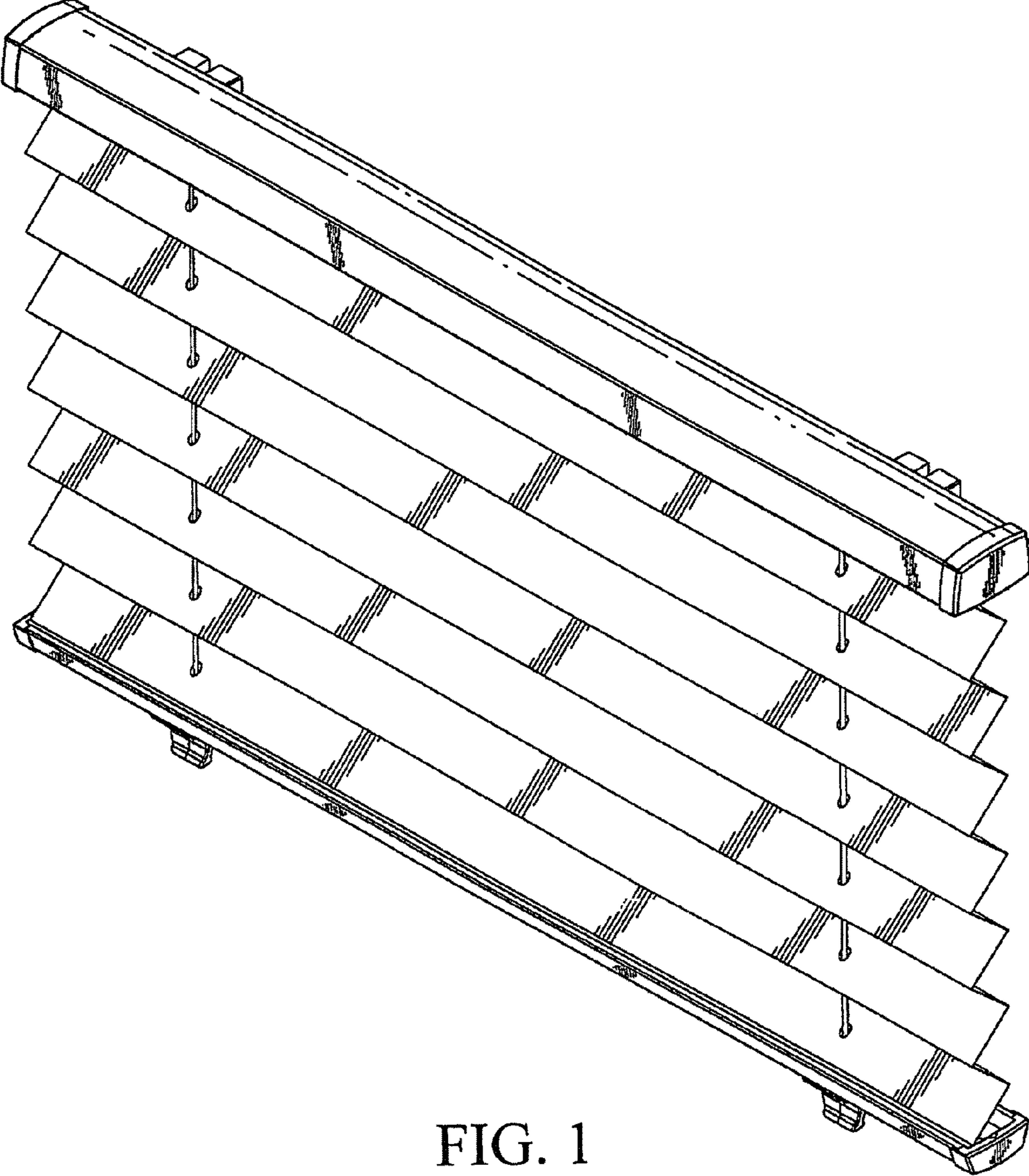


FIG. 1

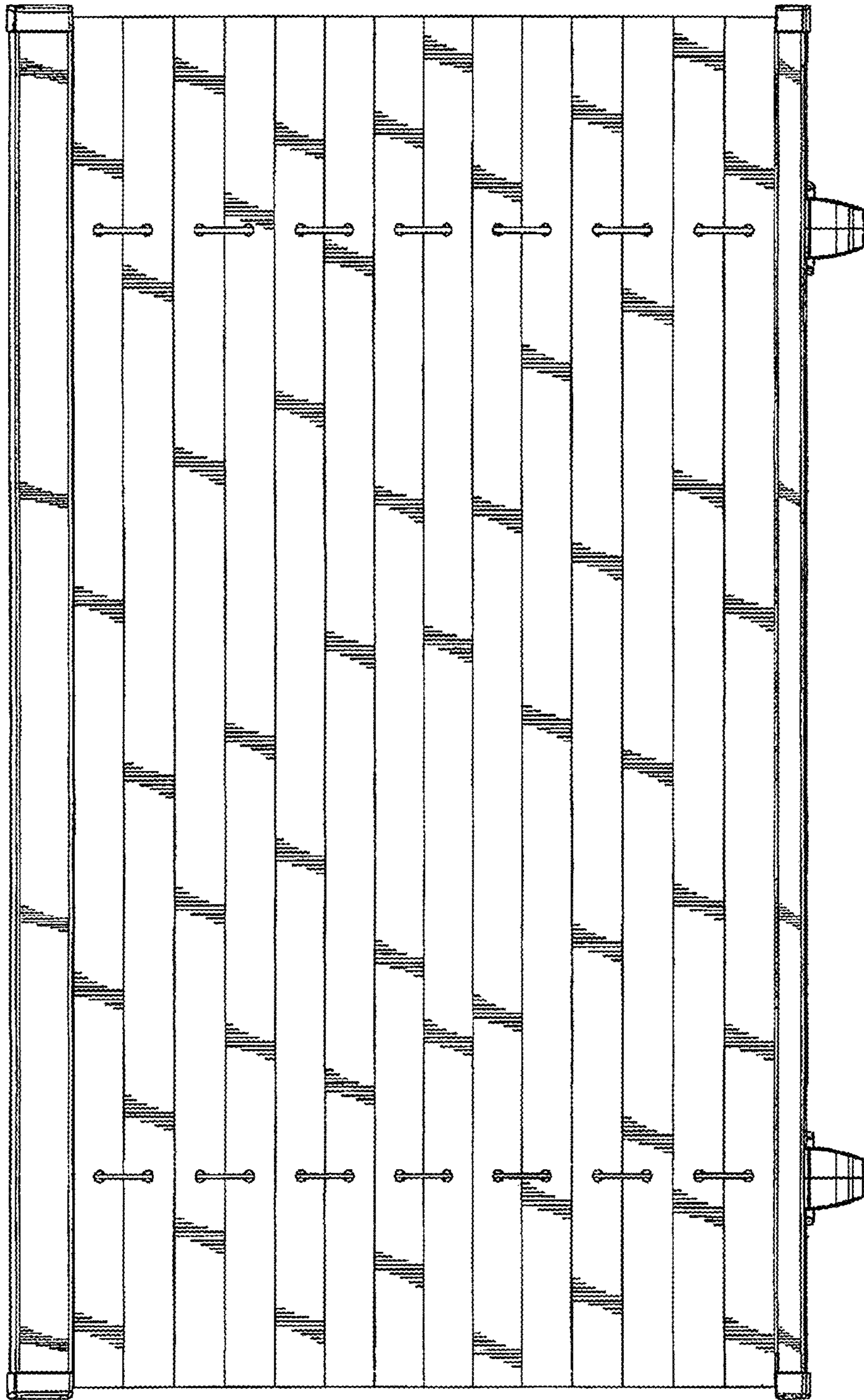


FIG. 2

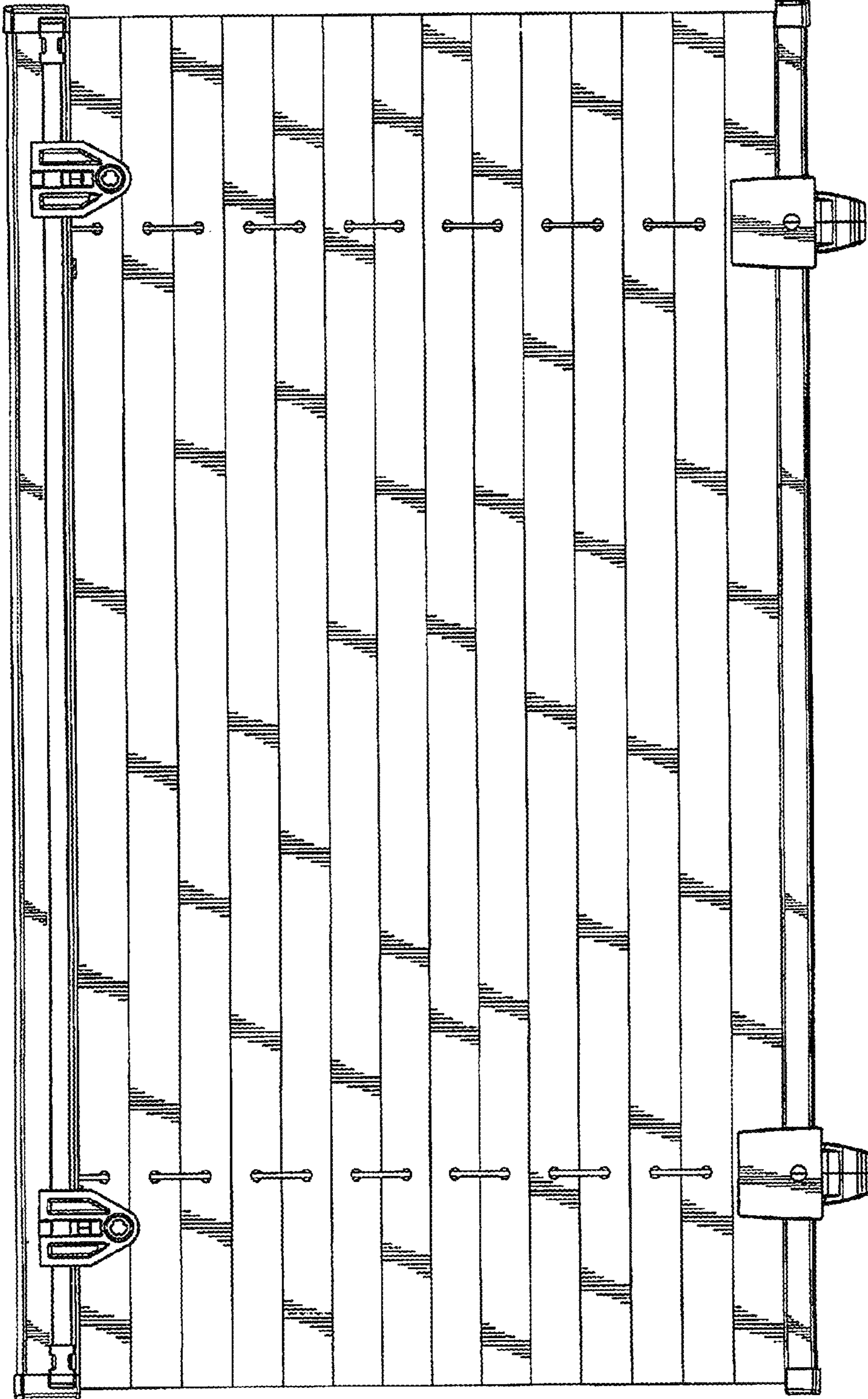


FIG. 3

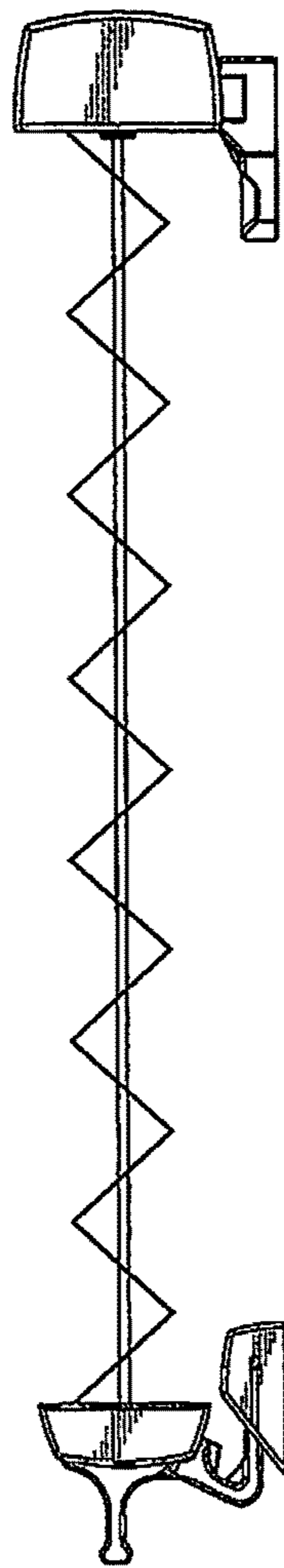


FIG. 4

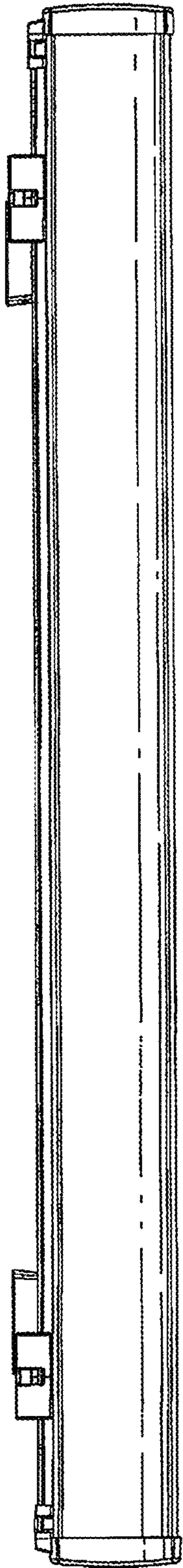


FIG. 5

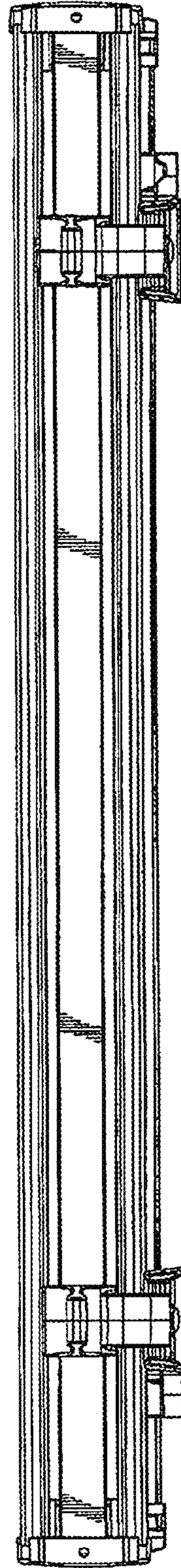


FIG. 6

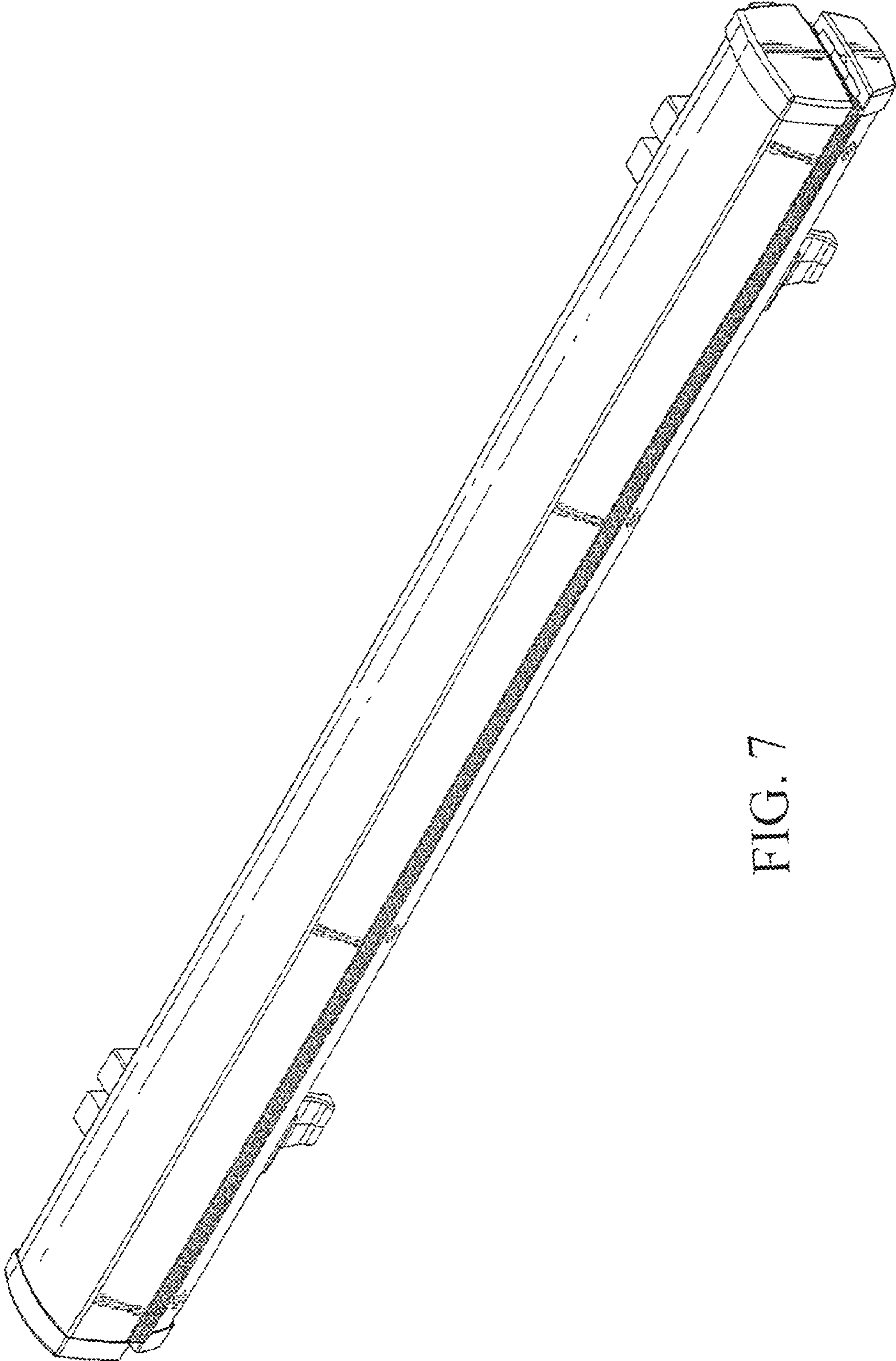


FIG. 7