



US00D767302S

(12) **United States Design Patent**  
**Wright, III**

(10) **Patent No.:** **US D767,302 S**  
(45) **Date of Patent:** **\*\* Sep. 27, 2016**

(54) **UNIVERSAL GROUND BOW STAND**

(71) Applicant: **My Bow Buddy Michigan, LLC**, St. Helen, MI (US)

(72) Inventor: **Ernest William Wright, III**, St. Helen, MI (US)

(73) Assignee: **My Bow Buddy Michigan, LLC**, St. Helen, MI (US)

(\*\*) Term: **14 Years**

(21) Appl. No.: **29/525,384**

(22) Filed: **Apr. 29, 2015**

(51) **LOC (10) Cl.** ..... **22-01**

(52) **U.S. Cl.**  
USPC ..... **D6/552**

(58) **Field of Classification Search**

USPC ..... D6/552, 329, 396, 417, 553, 567;  
D21/385, 662, 698, 571, 707, 715;  
D22/107; 211/13.1, 49.1, 60.1  
CPC ..... B65D 1/06; B65D 71/10; B65D 71/36;  
F41B 5/1453; F41A 23/04  
See application file for complete search history.

(56) **References Cited**

**U.S. PATENT DOCUMENTS**

D483,250 S \* 12/2003 Klein ..... D8/373  
D604,077 S \* 11/2009 Cardenas ..... D6/552  
D714,414 S \* 9/2014 Wright, III ..... D22/107  
D717,388 S \* 11/2014 Wright, III ..... D22/107

\* cited by examiner

*Primary Examiner* — Wan Laymon

*Assistant Examiner* — Mark Booker

(74) *Attorney, Agent, or Firm* — Harness, Dickey & Pierce, P.L.C.

(57) **CLAIM**

The ornamental design for a universal ground bow stand, as shown and described.

**DESCRIPTION**

FIG. 1 is a perspective view of a universal ground bow stand embodying my new design;

FIG. 2 is an enlarged perspective view thereof;

FIG. 3 is a front view thereof;

FIG. 4 is a back view thereof;

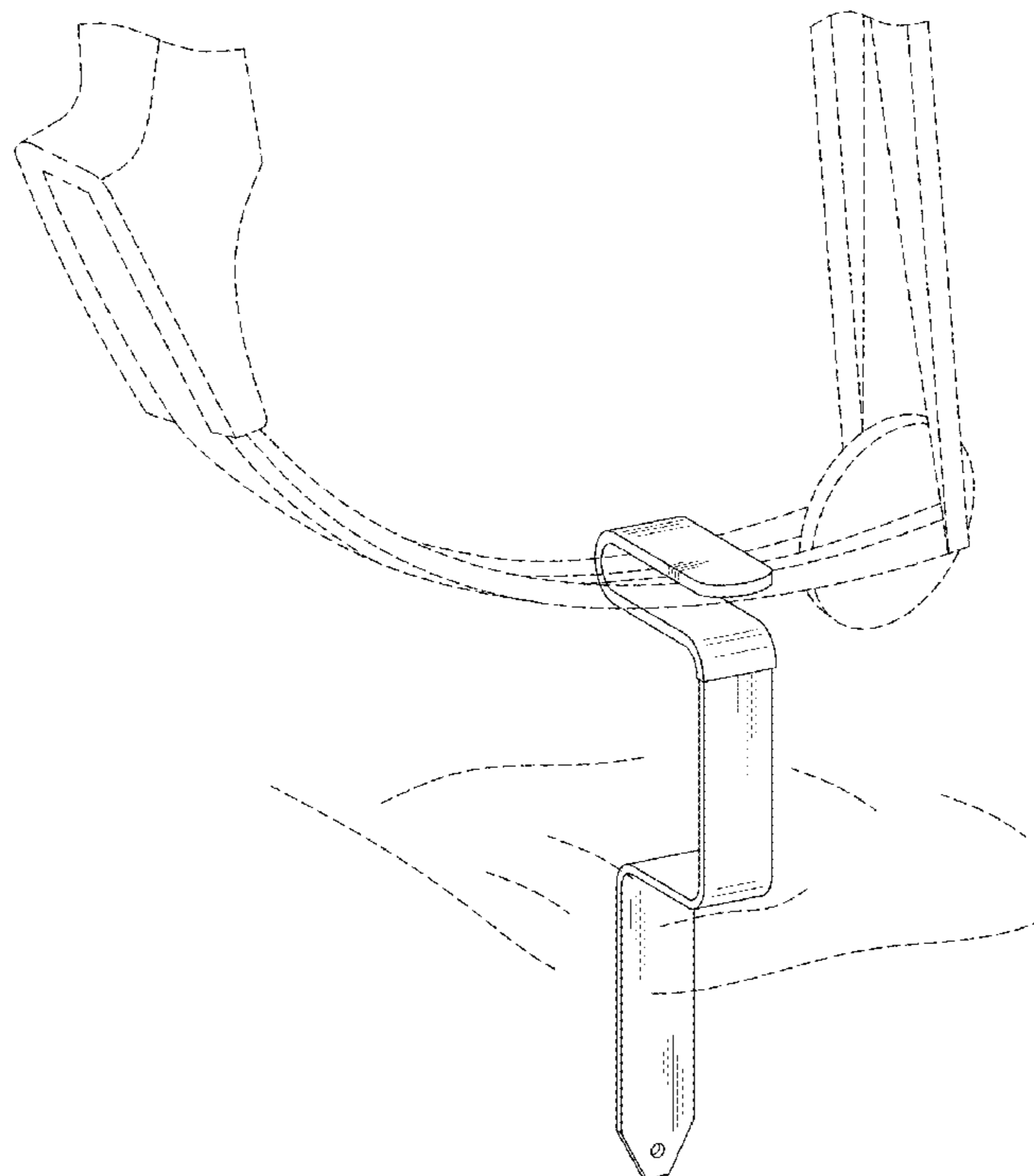
FIG. 5 is a top view thereof;

FIG. 6 is a bottom view thereof; and,

FIG. 7 is a side view thereof, the opposite side being a mirror image thereof.

The broken lines shown in FIG. 1 represent portions of the universal ground bow stand that form no part of the claimed design.

**1 Claim, 4 Drawing Sheets**



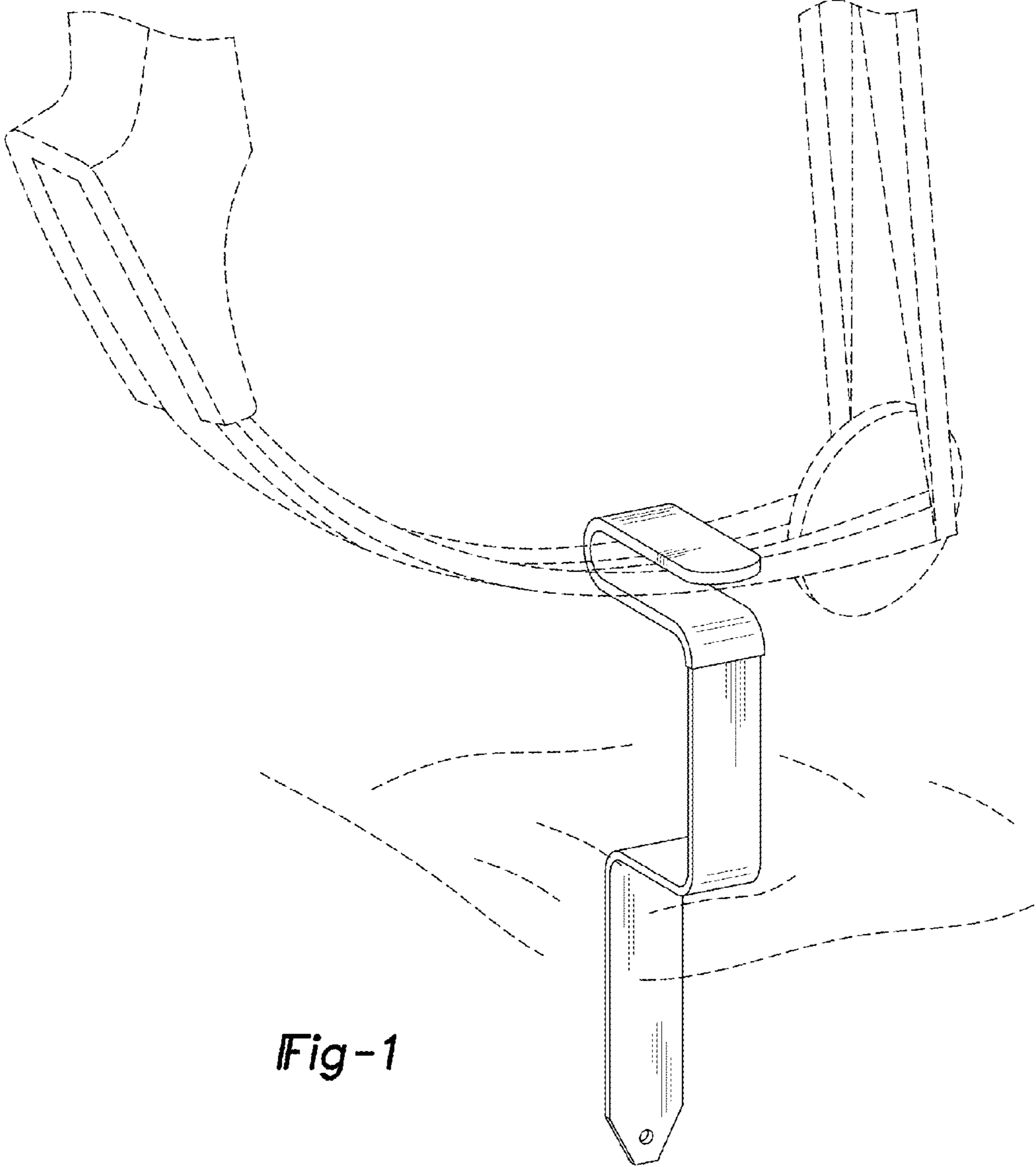
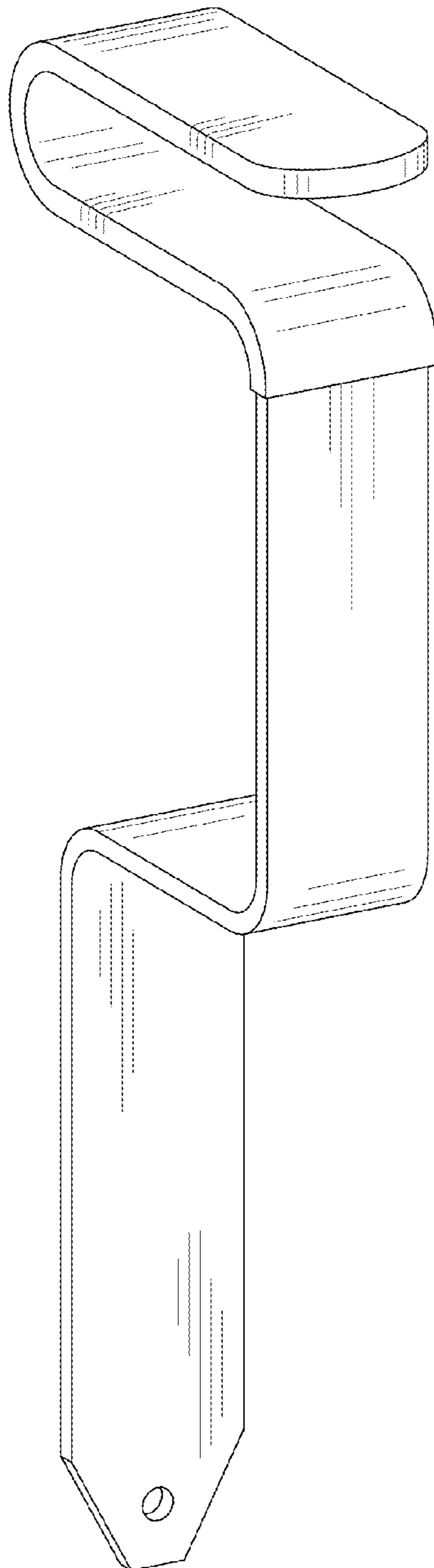
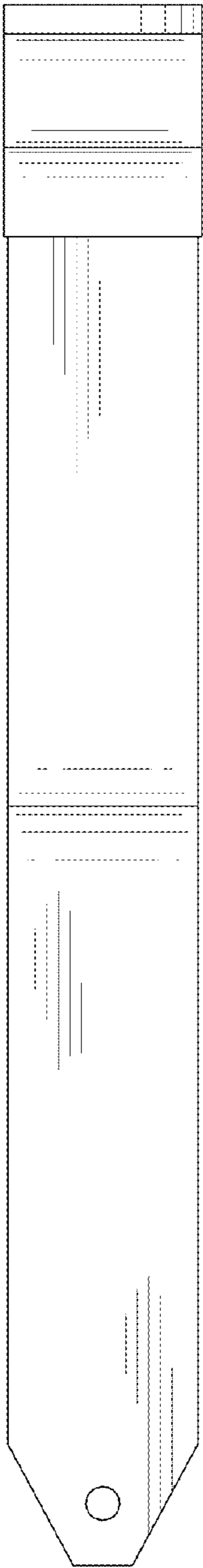


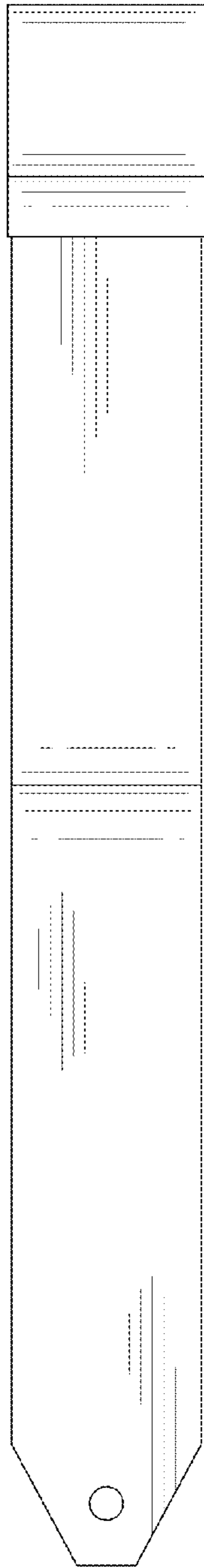
Fig-1



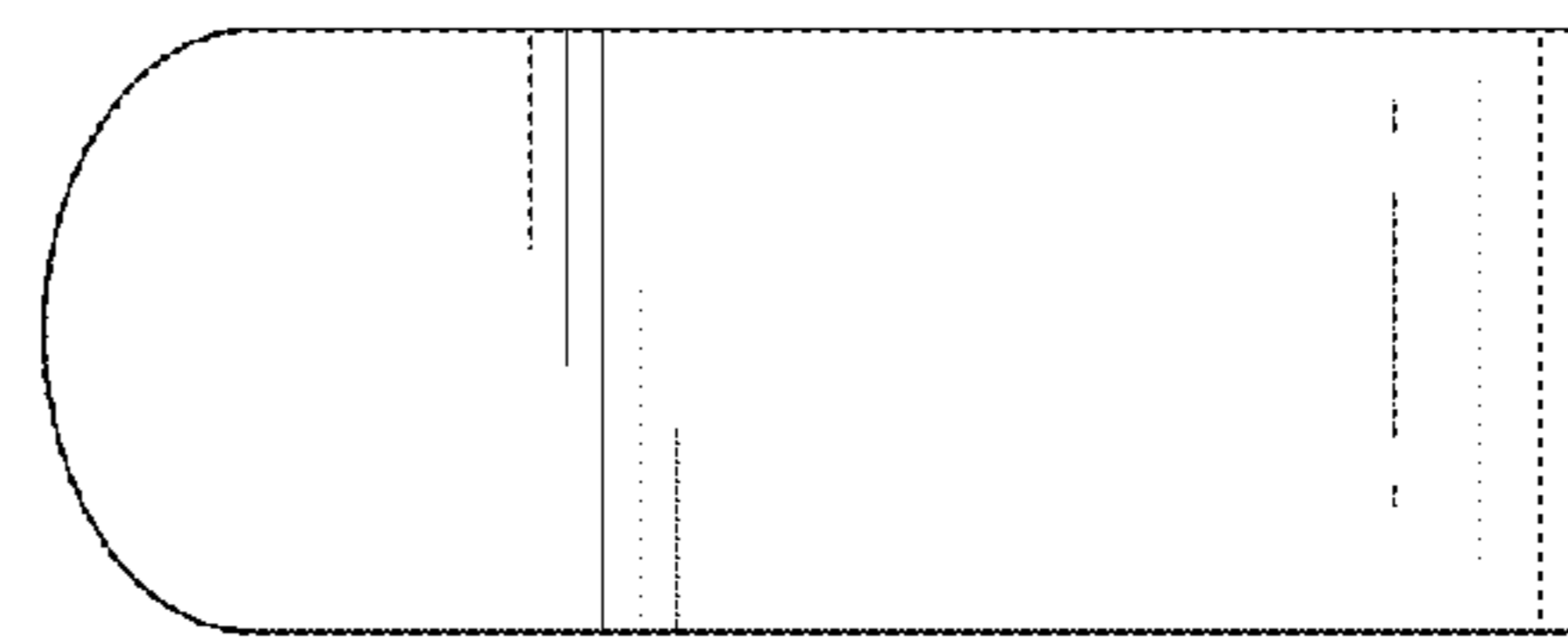
*Fig-2*



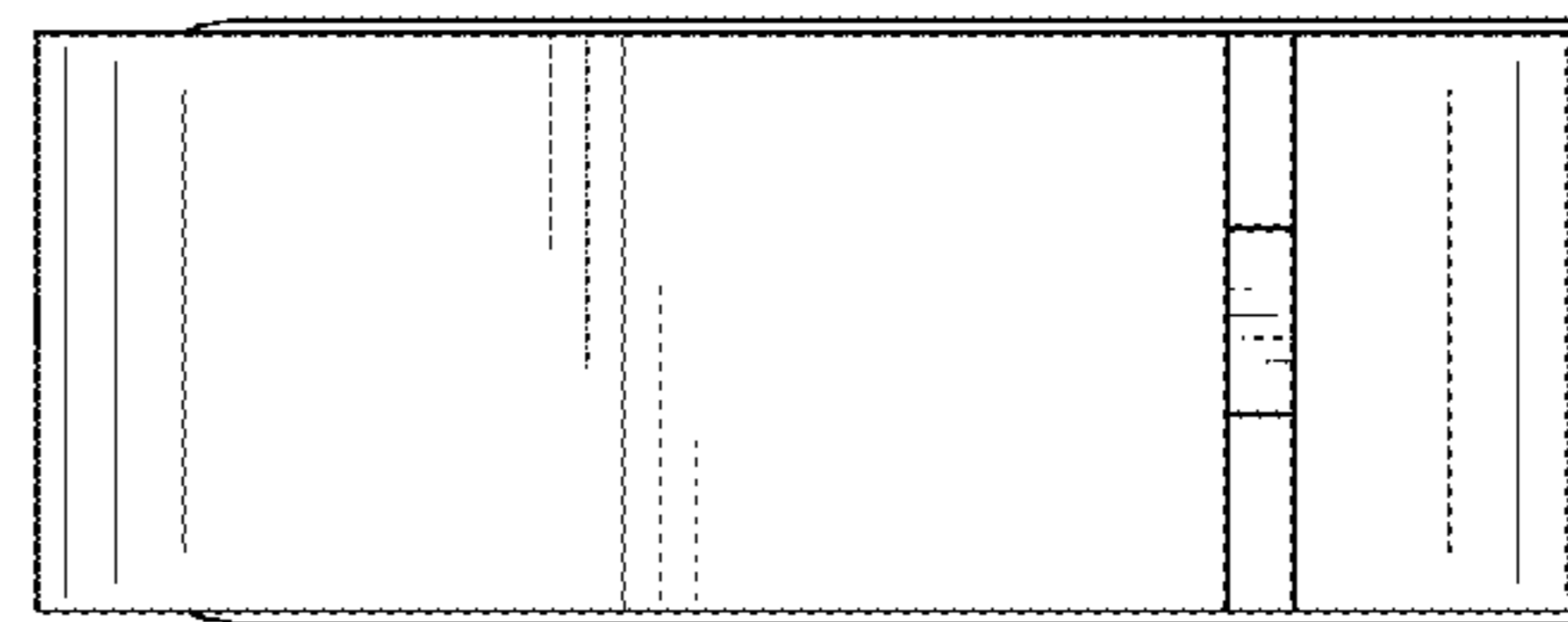
*Fig-3*



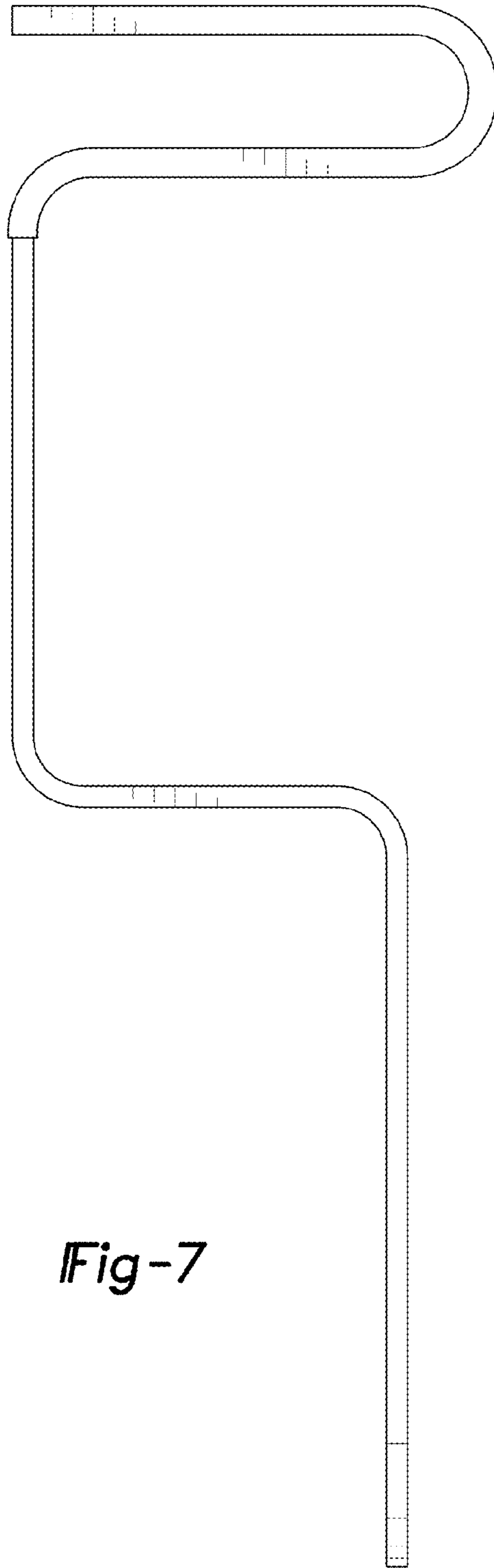
*Fig-4*



*Fig-5*



*Fig-6*



*Fig-7*