

US00D767300S

(12) **United States Design Patent** (10) **Patent No.:** **US D767,300 S**
Salguero (45) **Date of Patent:** **** Sep. 27, 2016**

- (54) **BEAR TOOTHBRUSH HOLDER**
- (71) Applicant: **Kikkerland Design, Inc.**, New York, NY (US)
- (72) Inventor: **Oscar Salguero**, Brooklyn, NY (US)
- (73) Assignee: **Kikkerland Design, Inc.**, New York, NY (US)
- (**) Term: **14 Years**
- (21) Appl. No.: **29/506,787**
- (22) Filed: **Oct. 20, 2014**
- (51) **LOC (10) Cl.** **23-02**
- (52) **U.S. Cl.**
USPC **D6/534**
- (58) **Field of Classification Search**
USPC D6/534, 524, 526, 527, 528, 529-531, D6/551; D7/635, 701; D21/584, 604, 611; 206/208, 209, 209.1, 228, 361, 362, 206/362.1, 362.2, 362.3, 77.1; 211/13.1, 211/66, 70.6, 86.01, 87.01, 88.01, 126.1, 211/134; D4/104, 108, 113; 248/309.1
CPC A47K 1/09; A47K 5/18; A45D 44/18
See application file for complete search history.

- 5,638,840 A * 6/1997 Lee A47K 5/18
132/310
- D390,055 S * 2/1998 Abrigo D21/604
- D655,632 S * 3/2012 van der Lande D10/40
- D674,635 S * 1/2013 van der Lande D6/534
- D714,076 S * 9/2014 Ragonetti D6/528
- D715,805 S * 10/2014 Hilton D14/447

* cited by examiner

Primary Examiner — Wan Laymon
Assistant Examiner — Mark Booker

(74) *Attorney, Agent, or Firm* — Charles H. Jew

(57) **CLAIM**

The ornamental design for a bear toothbrush holder, as shown and described.

DESCRIPTION

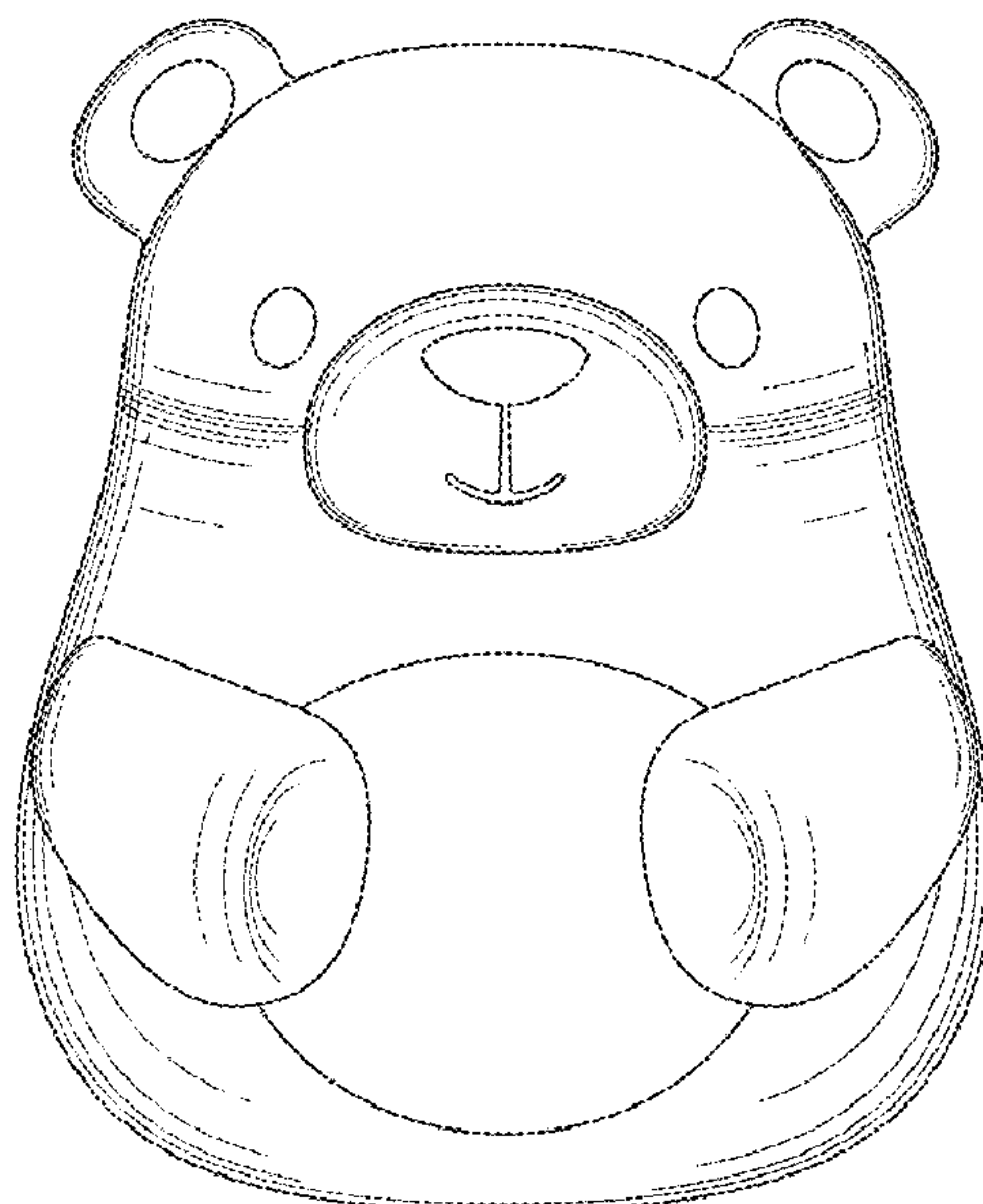
FIG. 1 is a front elevational view of the bear toothbrush holder showing my design;
 FIG. 2 is a rear elevational view thereof;
 FIG. 3 is a left side elevational view thereof;
 FIG. 4 is a right side elevational view thereof;
 FIG. 5 is a top plan view thereof;
 FIG. 6 is a bottom plan view thereof;
 FIG. 7 is a front perspective view thereof; and,
 FIG. 8 is a front perspective view with the cover open and showing a toothbrush within the holder.
 The broken lines shown in the Figures marking the toothbrush, suction device and internal parts represent portions of bear toothbrush holder that form no part of the claimed design.

(56) **References Cited**

U.S. PATENT DOCUMENTS

- D366,794 S * 2/1996 Lee D6/528
- D377,418 S * 1/1997 Hendren D4/113

1 Claim, 2 Drawing Sheets



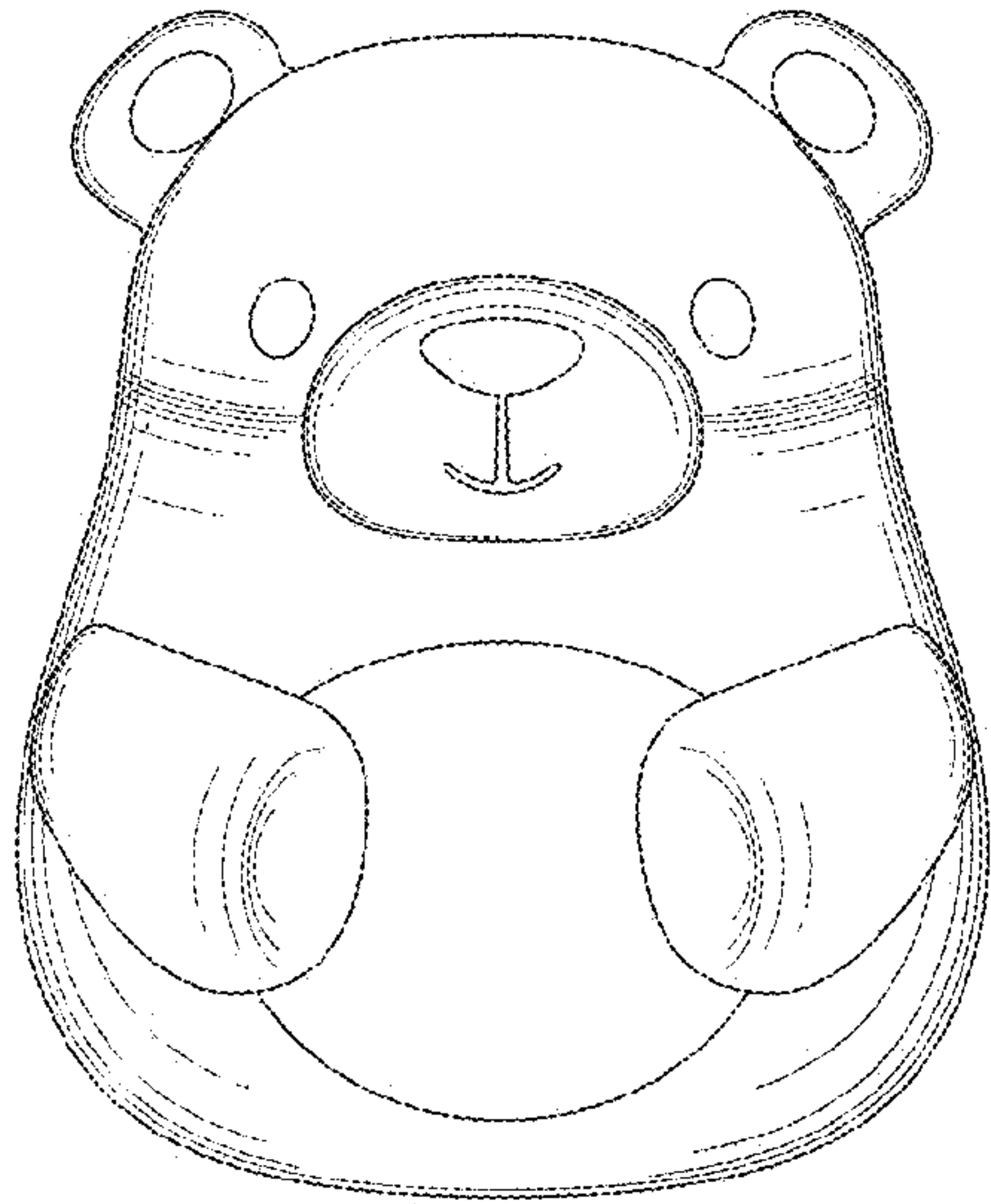


FIG. 1

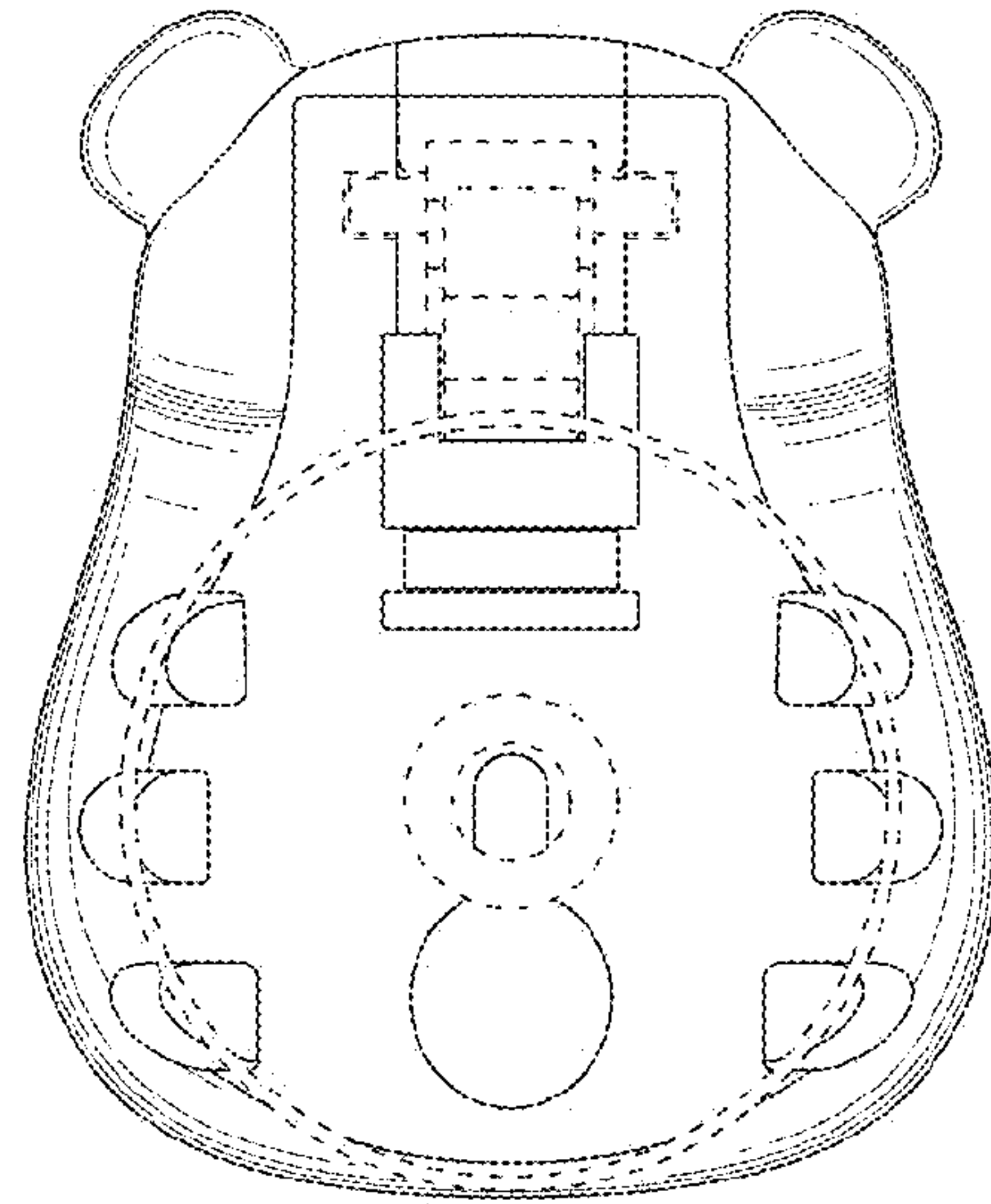


FIG. 2

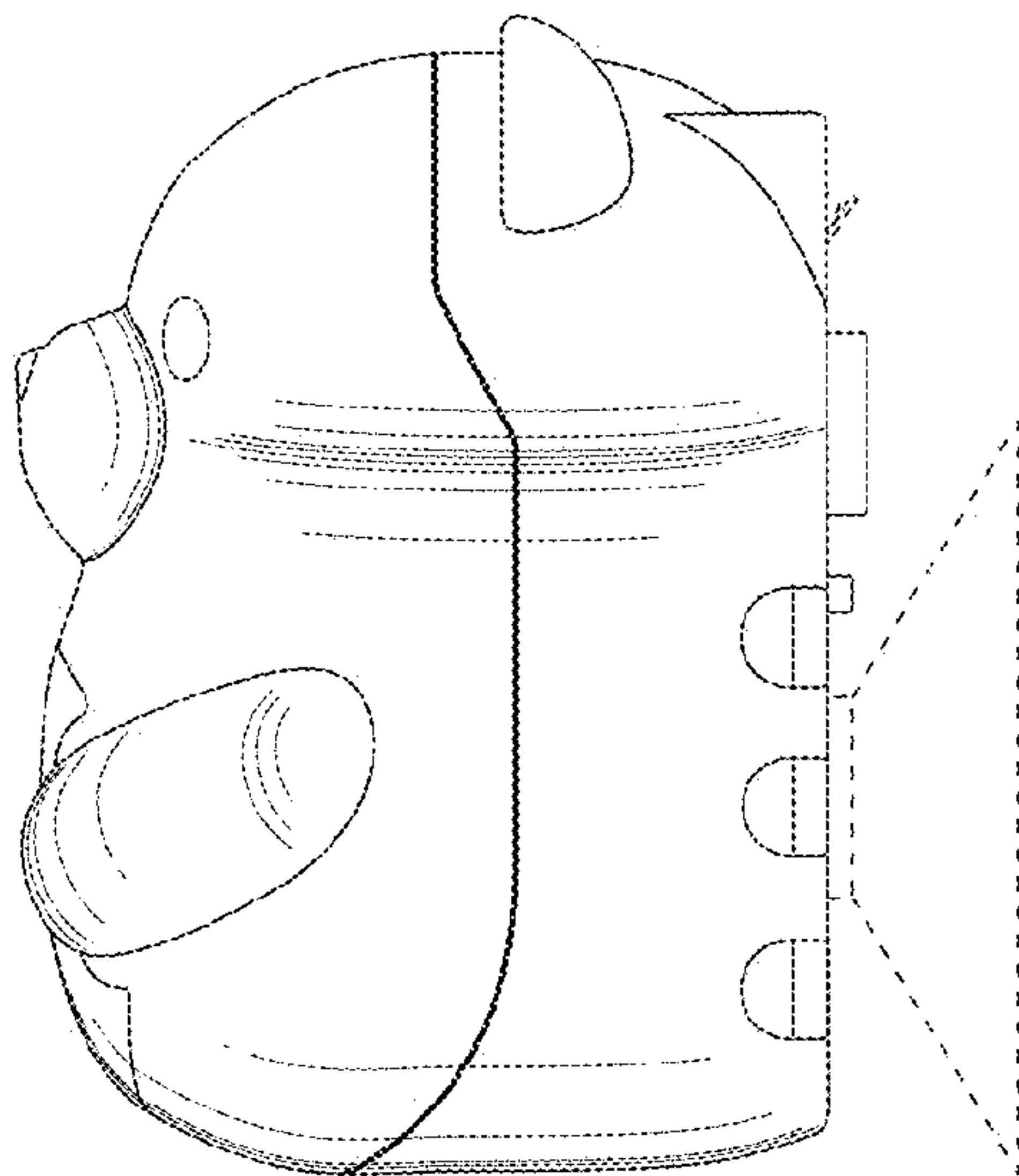


FIG. 3

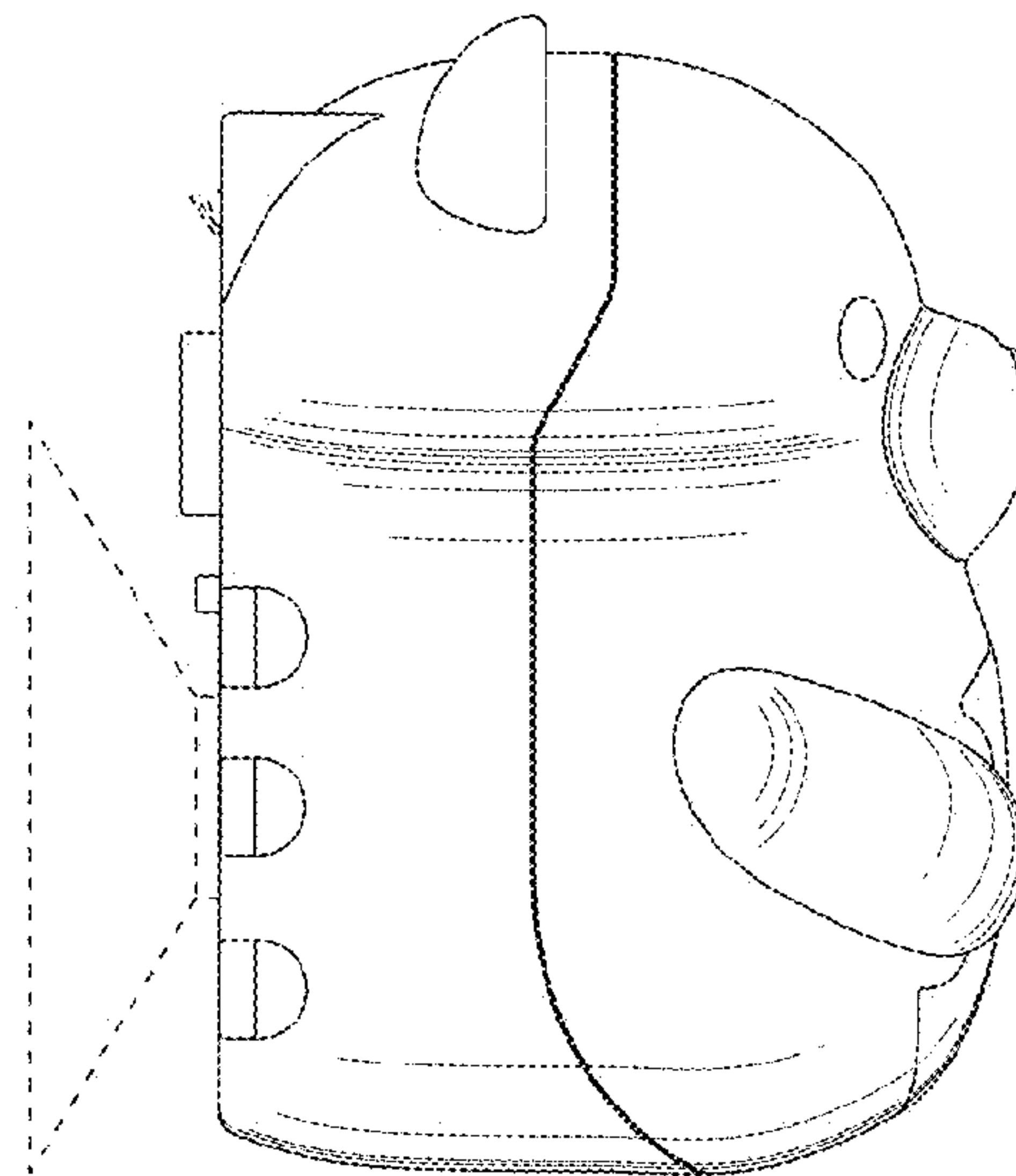


FIG. 4

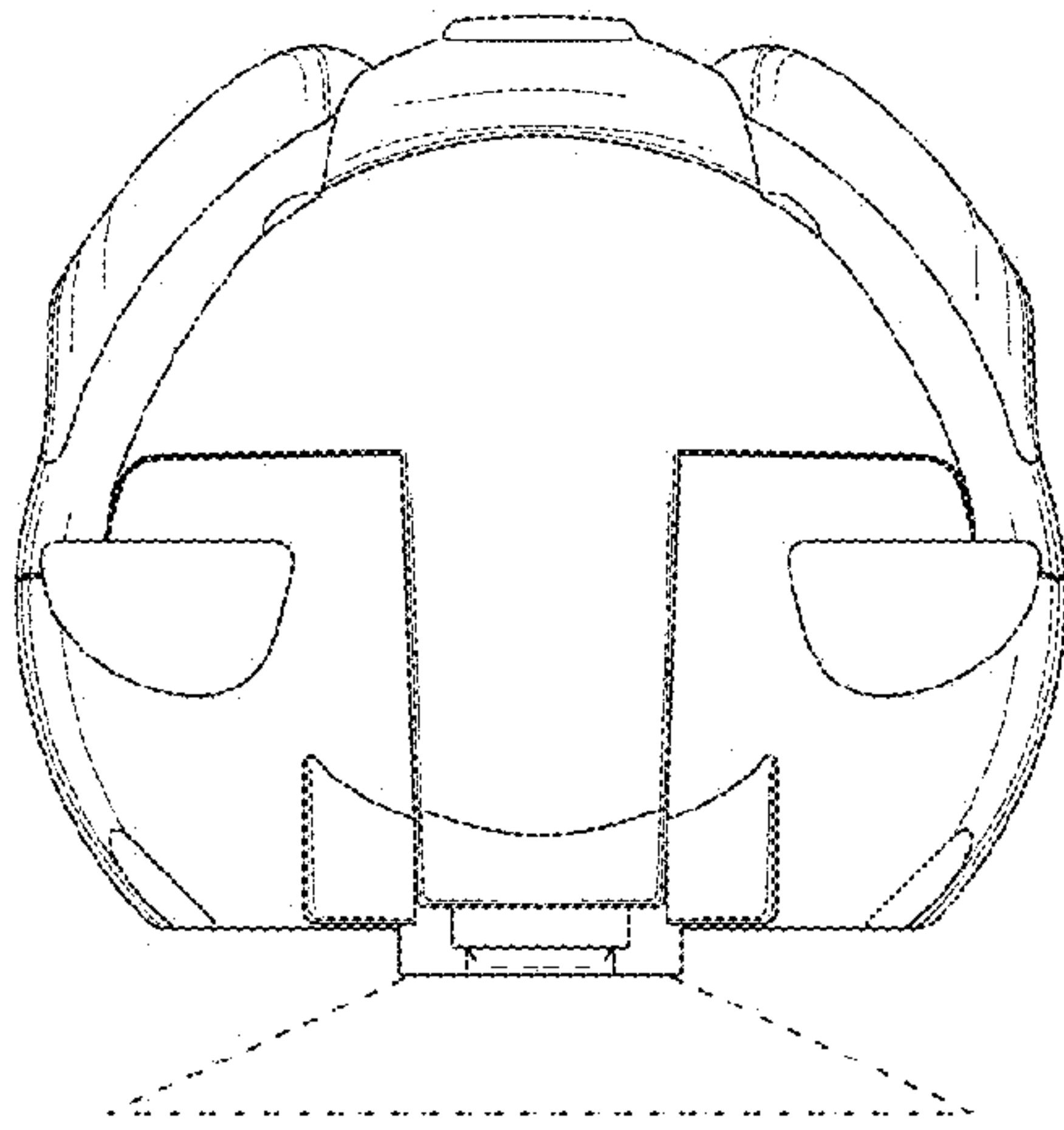


FIG. 5

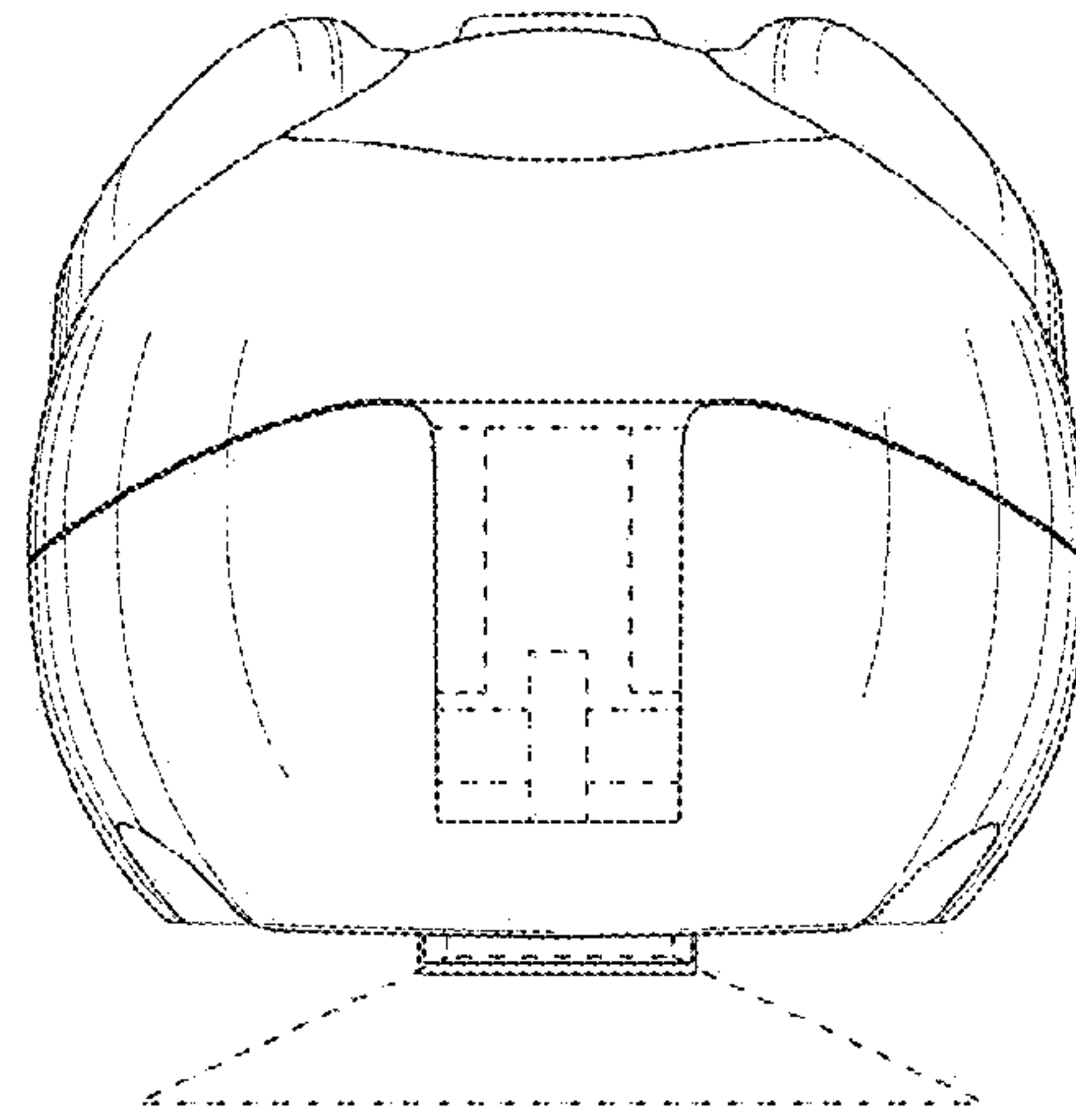


FIG. 6

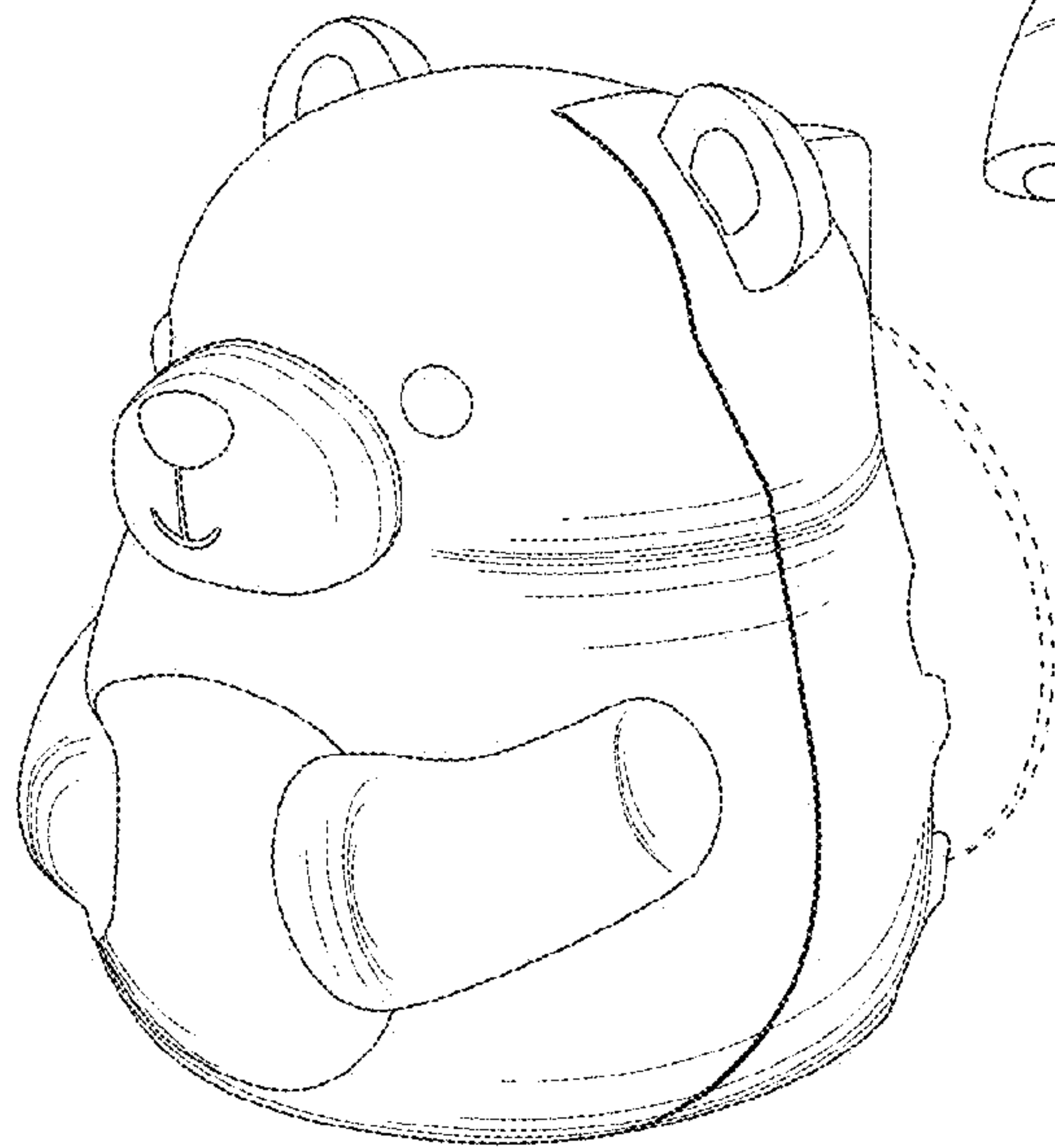


FIG. 7

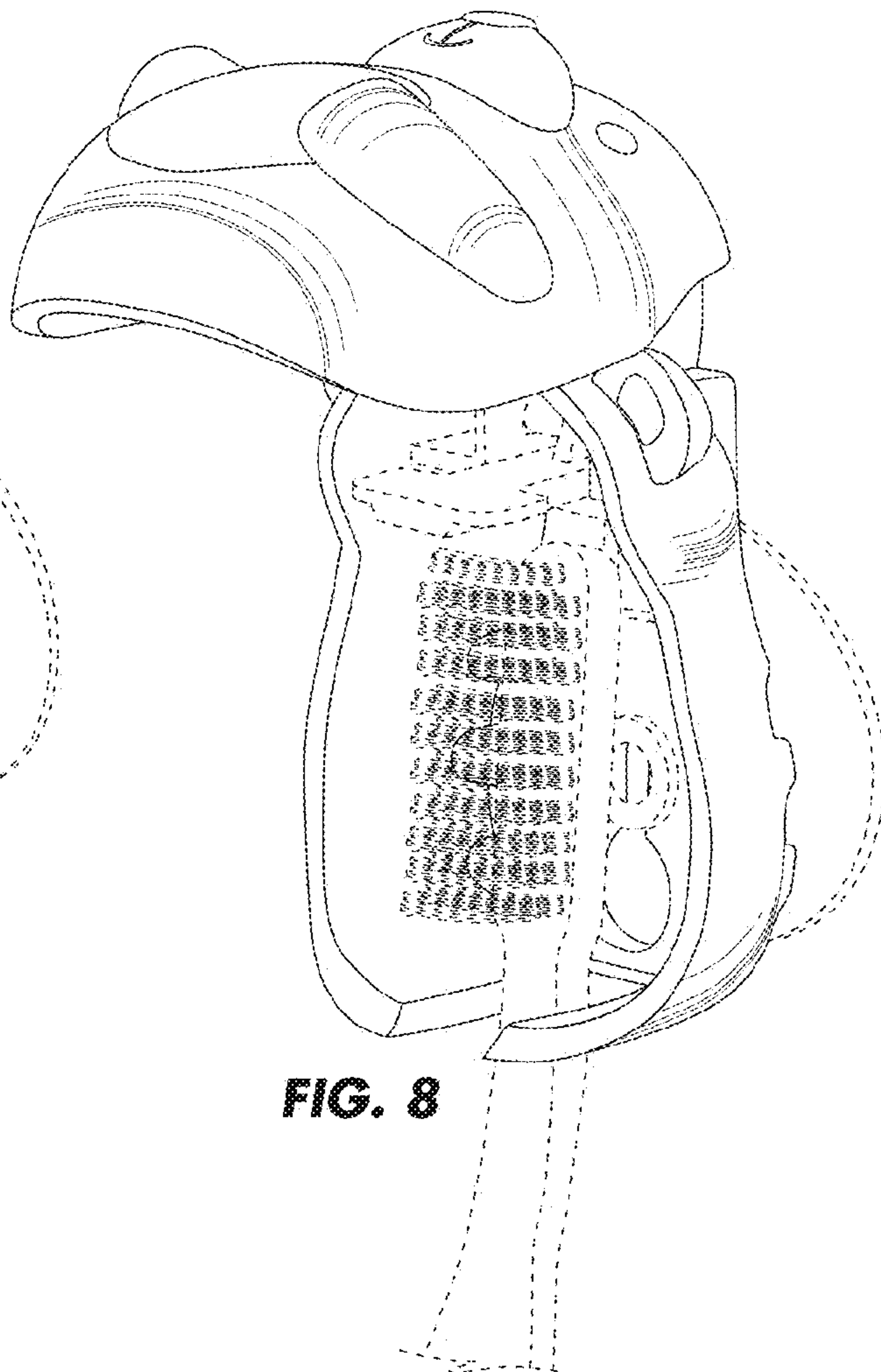


FIG. 8