



US00D767299S

(12) **United States Design Patent** (10) **Patent No.:** **US D767,299 S**  
**Li** (45) **Date of Patent:** **\*\* Sep. 27, 2016**

(54) **FOX TOOTHBRUSH HOLDER**  
(71) Applicant: **Kikkerland Design, Inc.**, New York, NY (US)  
(72) Inventor: **Rachel Li**, New York, NY (US)  
(73) Assignee: **Kikkerland Design, Inc.**, New York, NY (US)  
(\*\*) Term: **14 Years**  
(21) Appl. No.: **29/506,450**  
(22) Filed: **Oct. 15, 2014**  
(51) **LOC (10) Cl.** ..... **23-02**  
(52) **U.S. Cl.**  
USPC ..... **D6/534**  
(58) **Field of Classification Search**  
USPC ..... D6/534, 524, 526, 527, 528, 529-531, D6/551; D7/635, 701; D21/584, 604, 611; 206/208, 209, 209.1, 228, 361, 362, 206/362.1, 362.2, 362.3, 77.1; 211/13.1, 211/66, 70.6, 86.01, 87.01, 88.01, 126.1, 211/134; D4/104, 108, 113; 248/309.1; D1/110  
CPC ..... A47K 1/09; A47K 5/18; A45D 44/18  
See application file for complete search history.

5,638,840 A \* 6/1997 Lee ..... A47K 5/18  
132/310  
D390,055 S \* 2/1998 Abrigo ..... D21/604  
D655,632 S \* 3/2012 van der Lande ..... D10/40  
D674,635 S \* 1/2013 van der Lande ..... D6/534  
D714,076 S \* 9/2014 Ragonetti ..... D6/528

\* cited by examiner

*Primary Examiner* — Wan Laymon  
*Assistant Examiner* — Mark Booker

(74) *Attorney, Agent, or Firm* — Charles H. Jew

(57) **CLAIM**

The ornamental design for a fox toothbrush holder, as shown and described.

**DESCRIPTION**

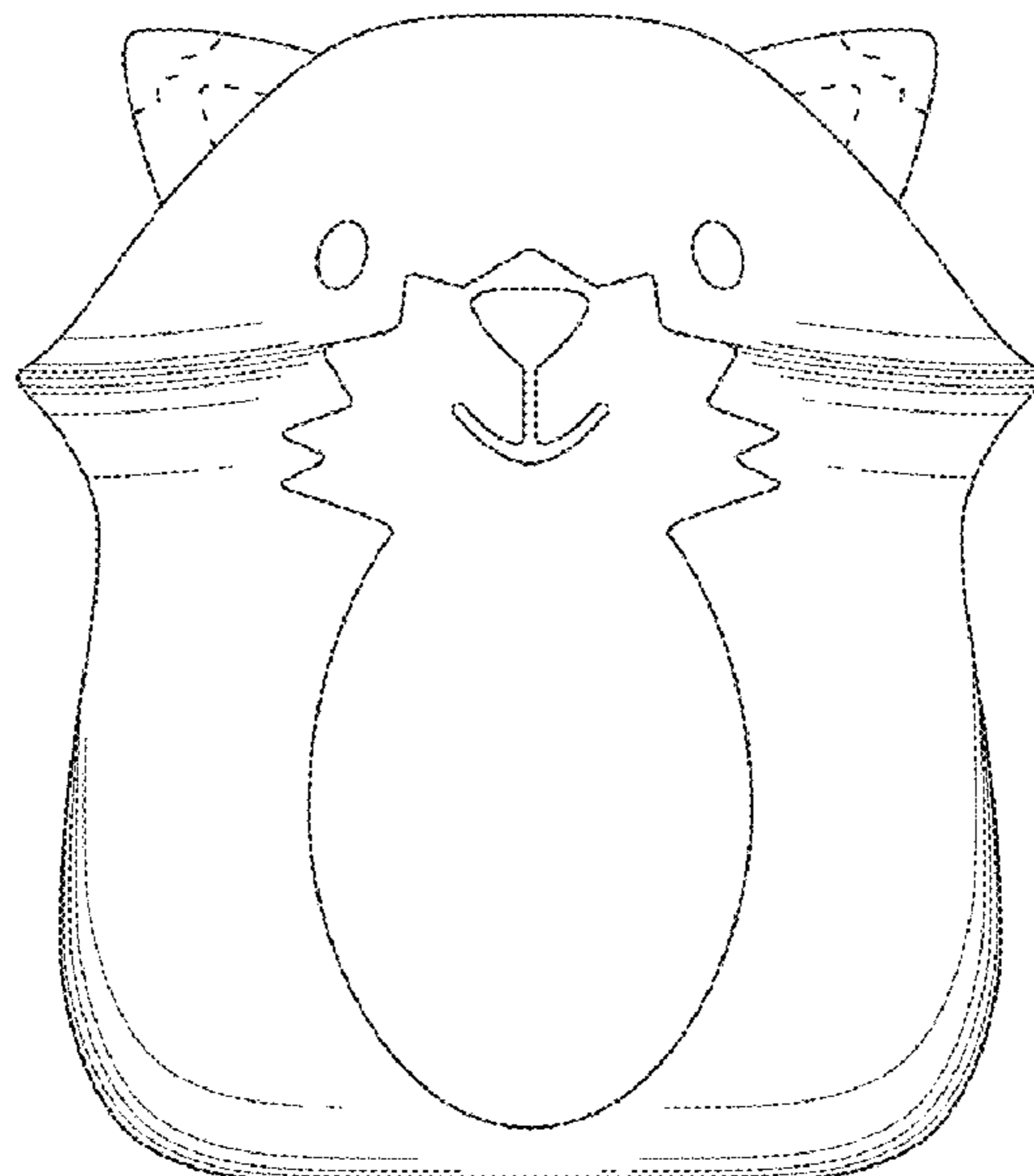
FIG. 1 is a front elevational view of the fox toothbrush holder showing my design;  
FIG. 2 is a rear elevational view thereof;  
FIG. 3 is a left side elevational view thereof;  
FIG. 4 is a right side elevational view thereof;  
FIG. 5 is a top plan view thereof;  
FIG. 6 is a bottom plan view thereof;  
FIG. 7 is a front perspective view thereof; and,  
FIG. 8 is a front perspective view with the cover open and showing a toothbrush within the holder.  
The broken lines shown in the Figures marking the toothbrush, suction device and internal parts represent portions of fox toothbrush holder that form no part of the claimed design.

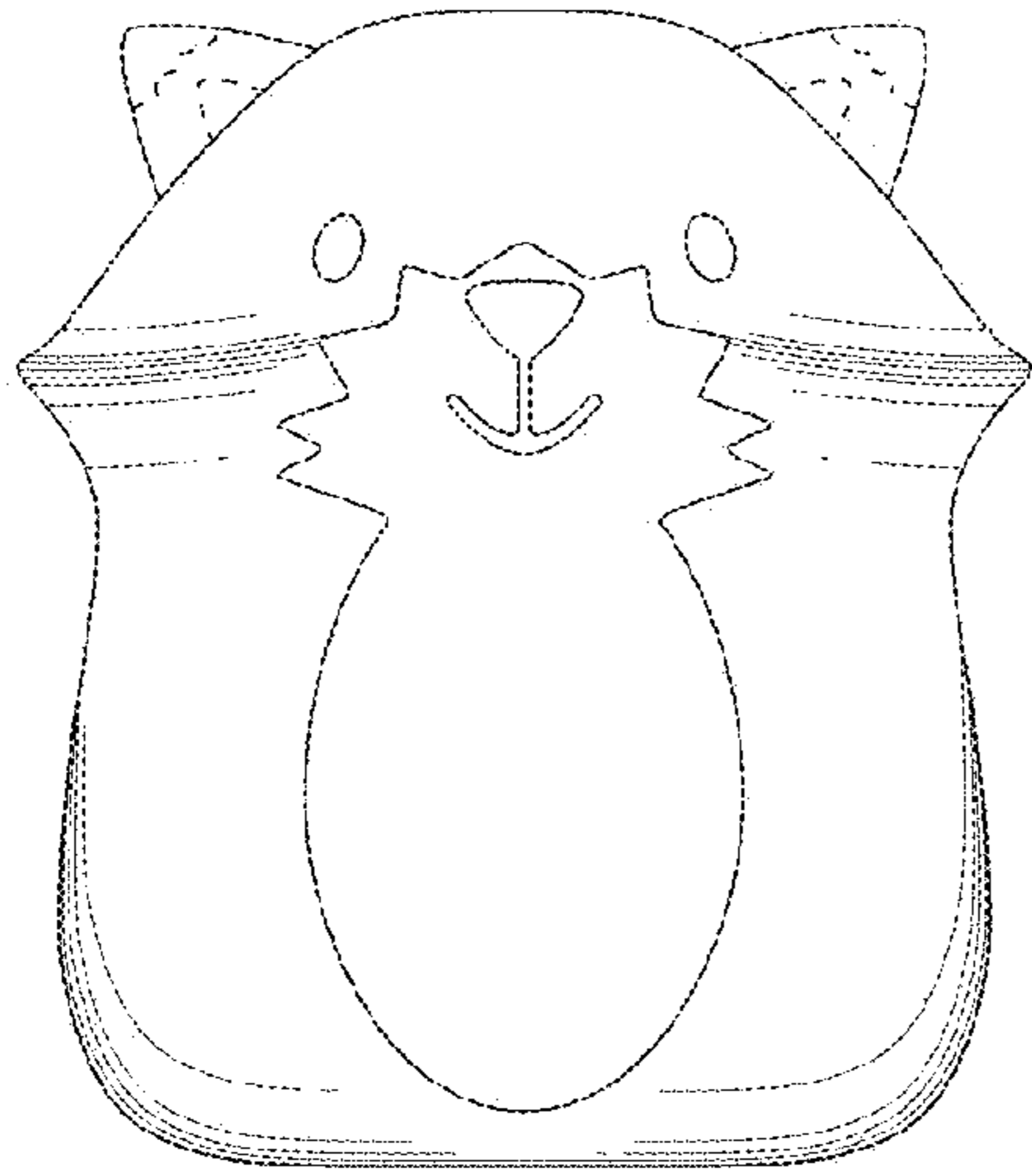
(56) **References Cited**

U.S. PATENT DOCUMENTS

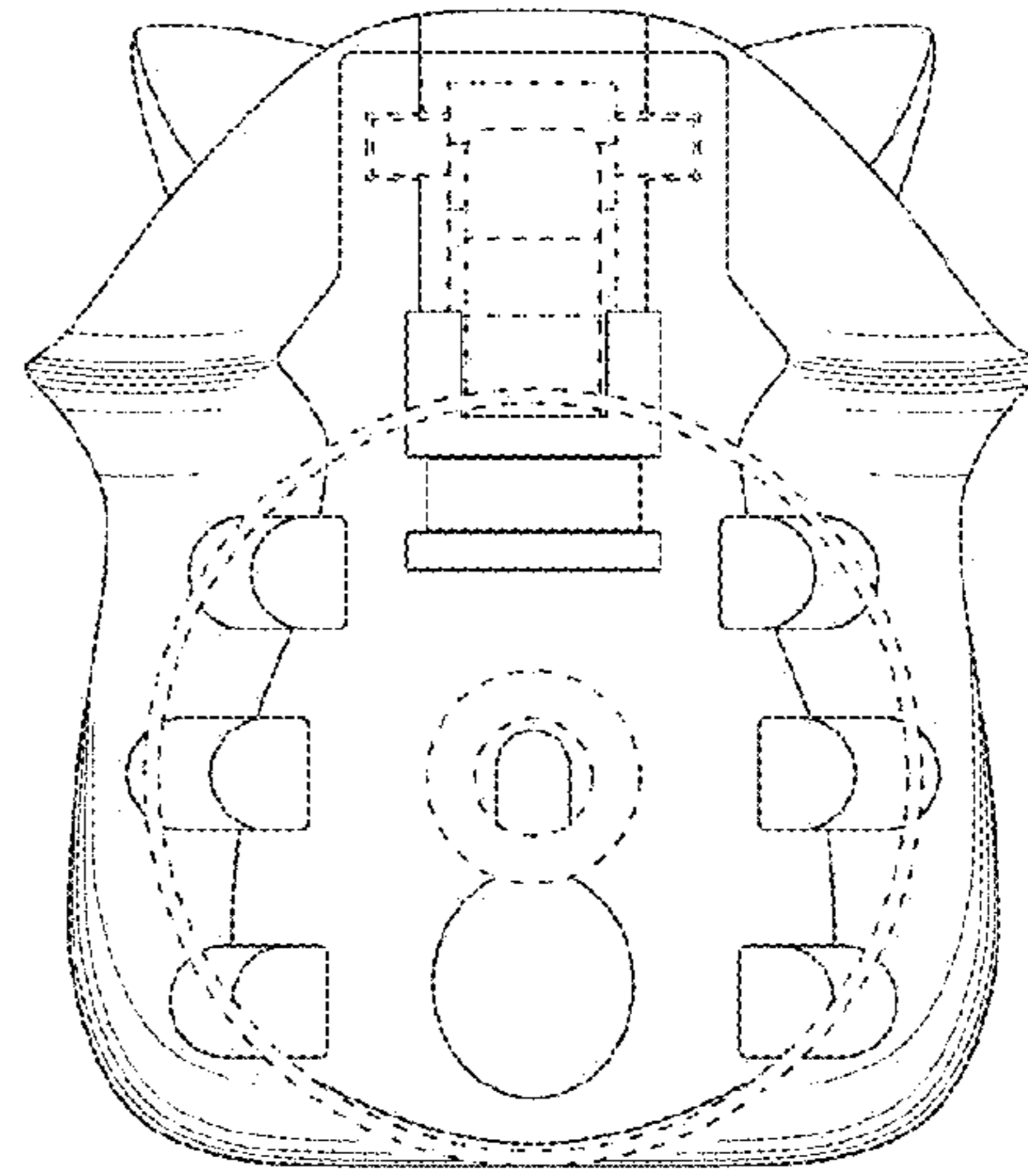
D366,794 S \* 2/1996 Lee ..... D6/528  
D377,418 S \* 1/1997 Hendren ..... D4/113

**1 Claim, 2 Drawing Sheets**

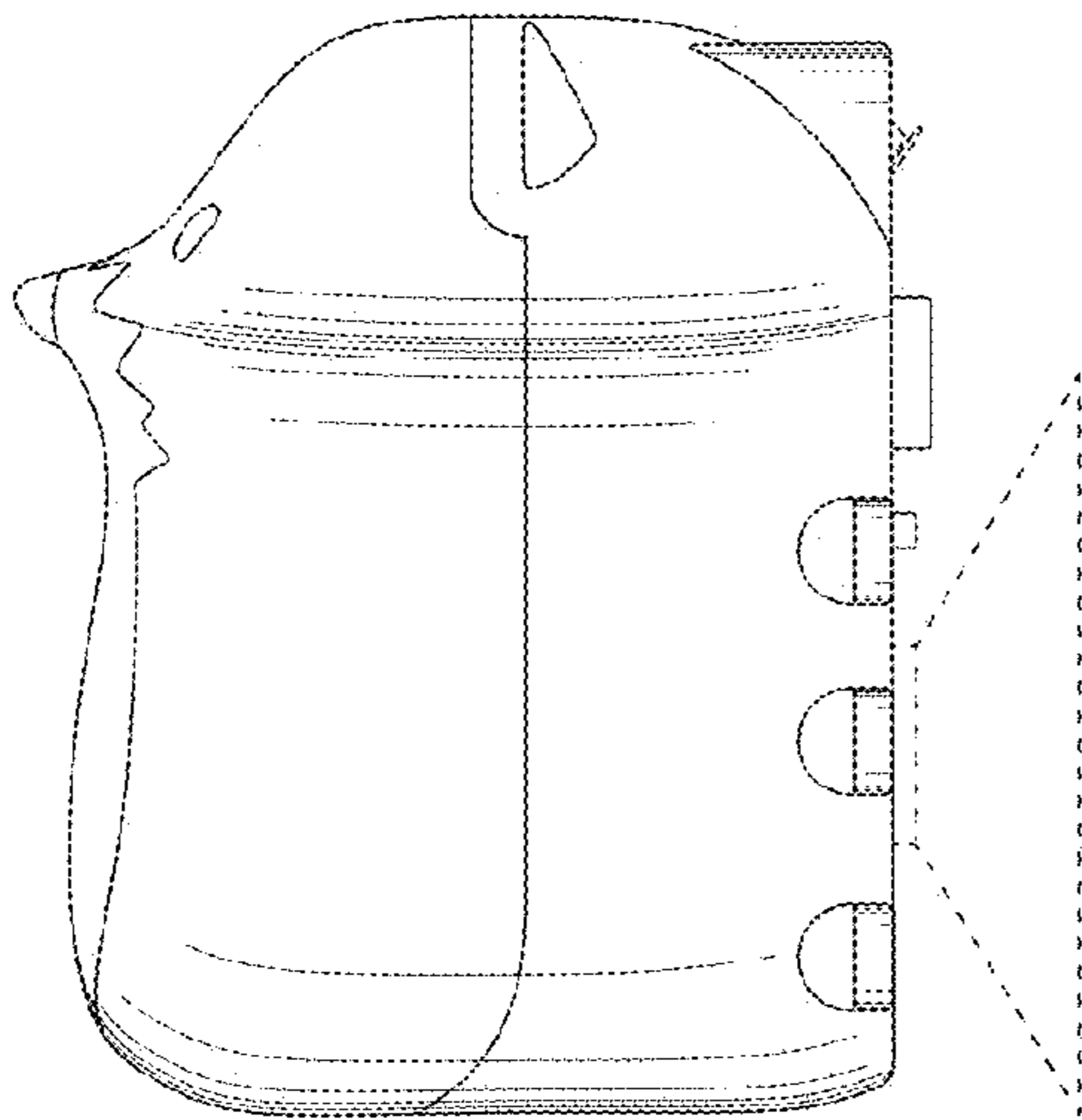




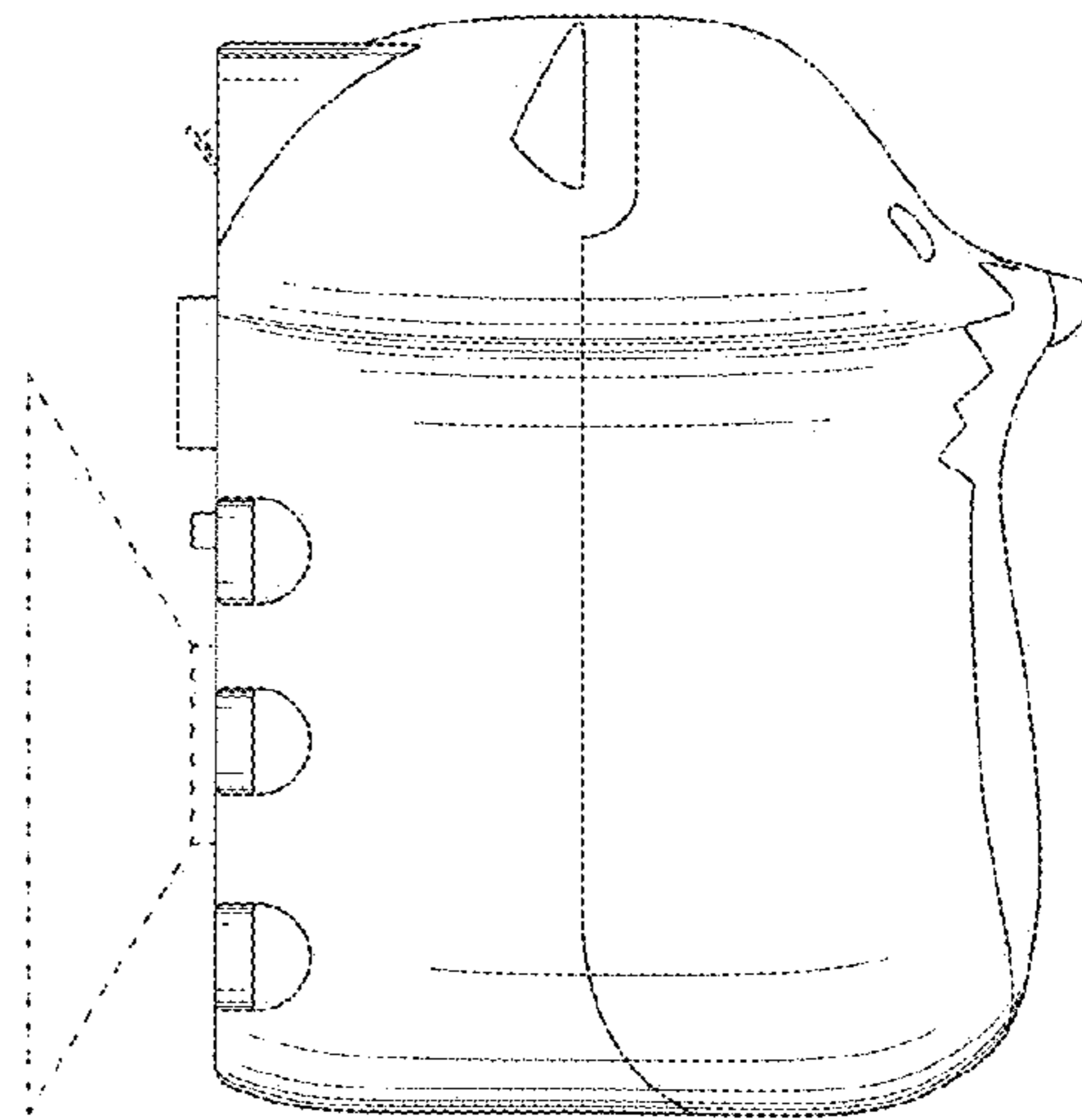
**FIG. 1**



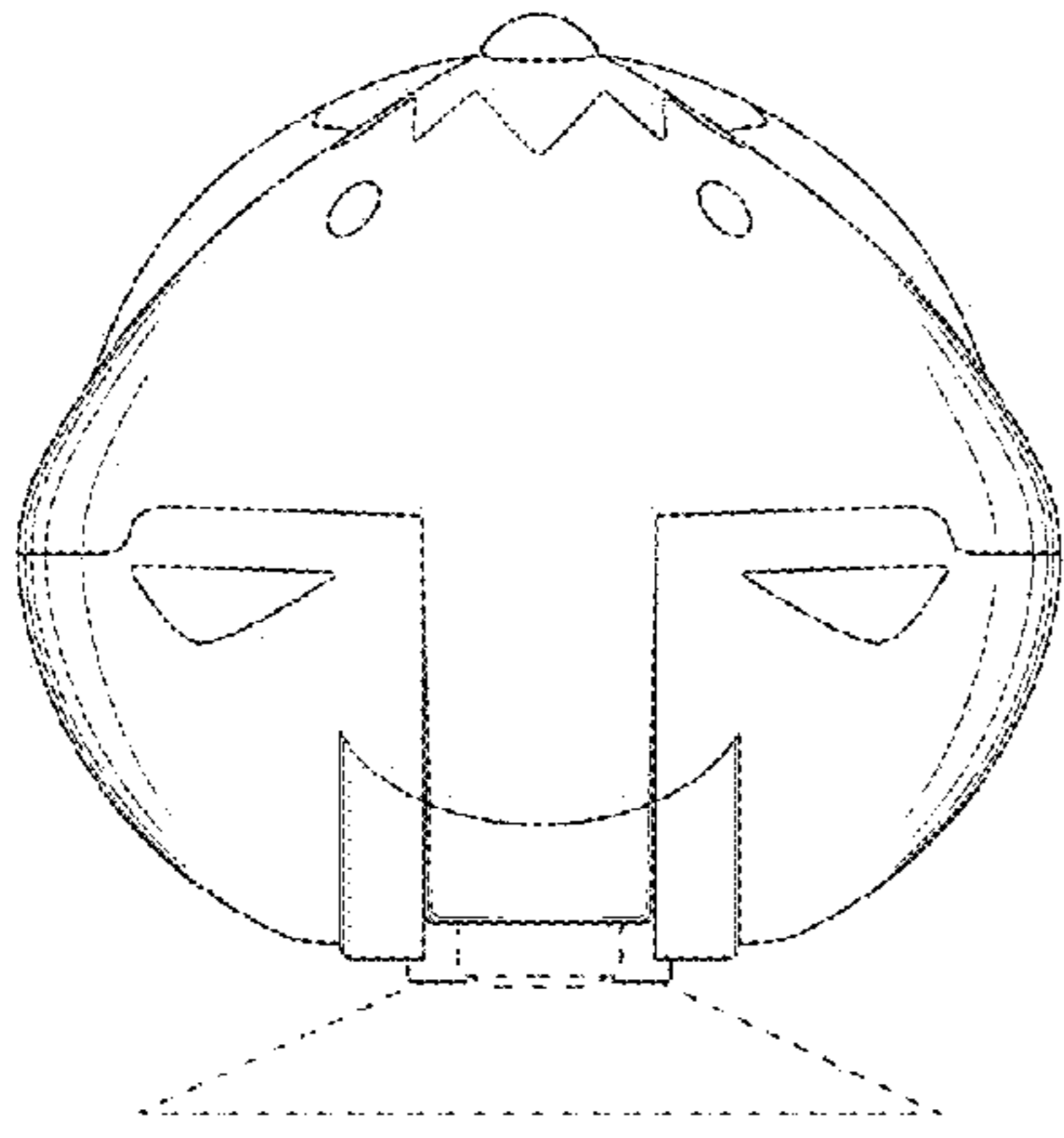
**FIG. 2**



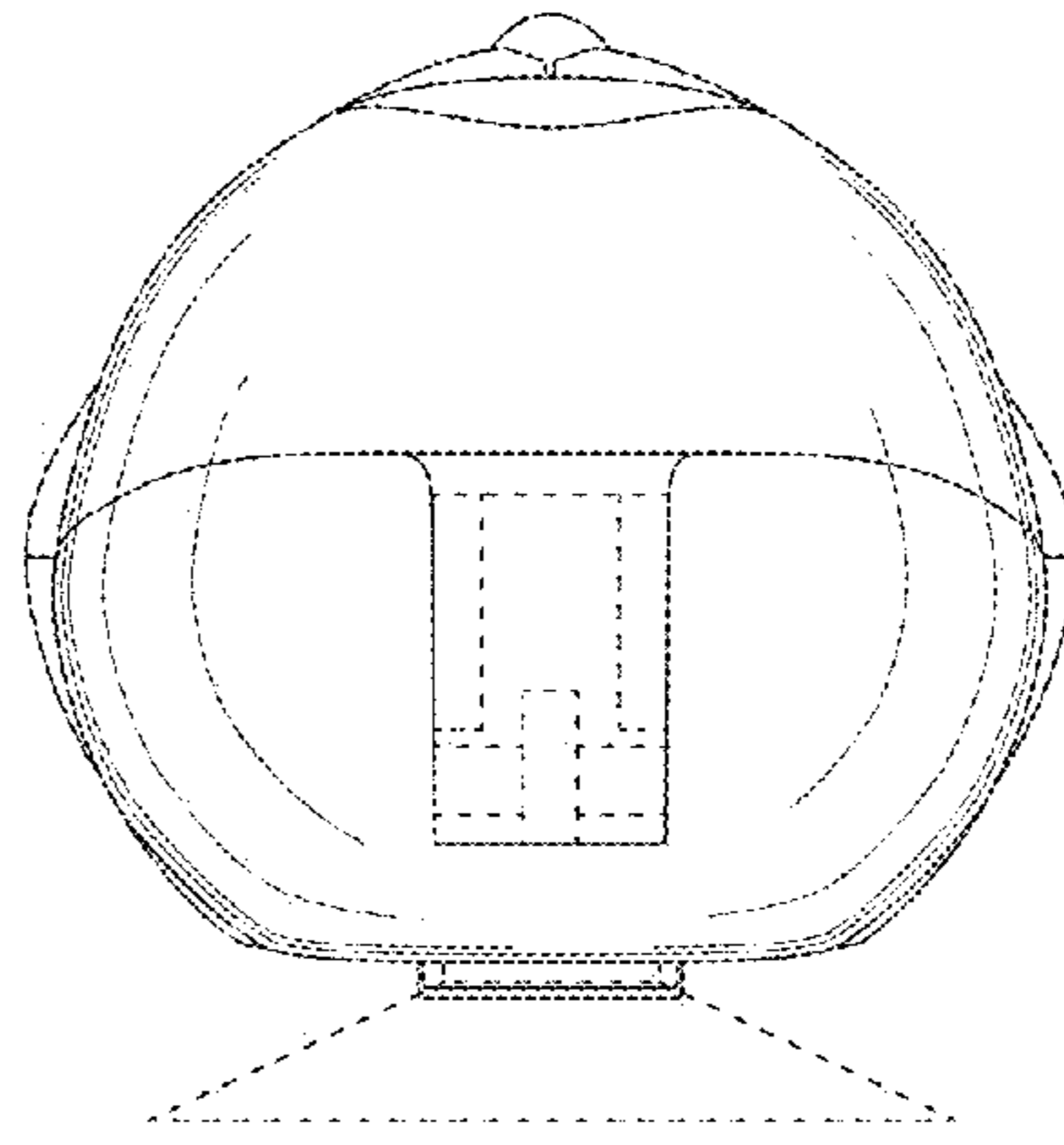
**FIG. 3**



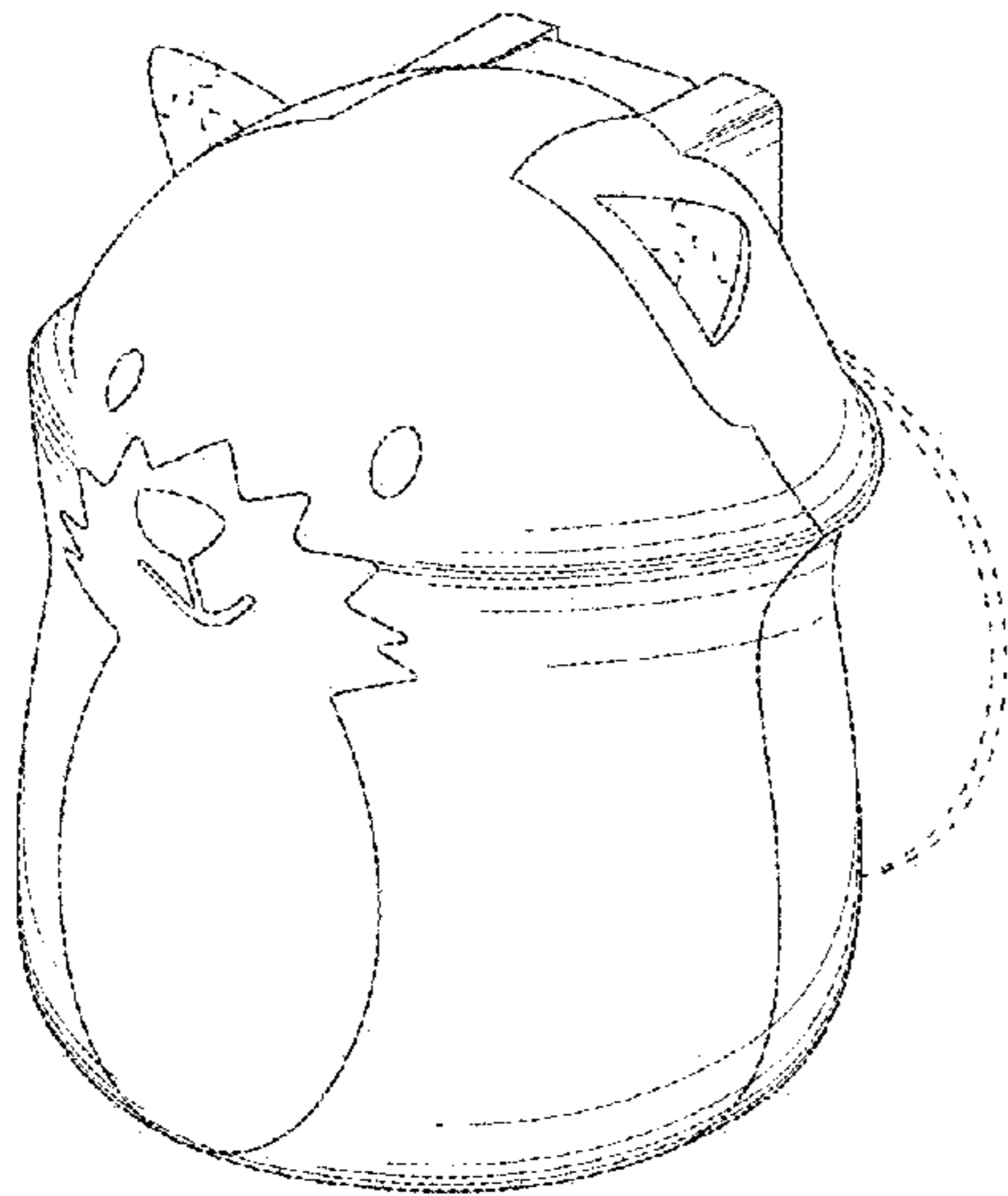
**FIG. 4**



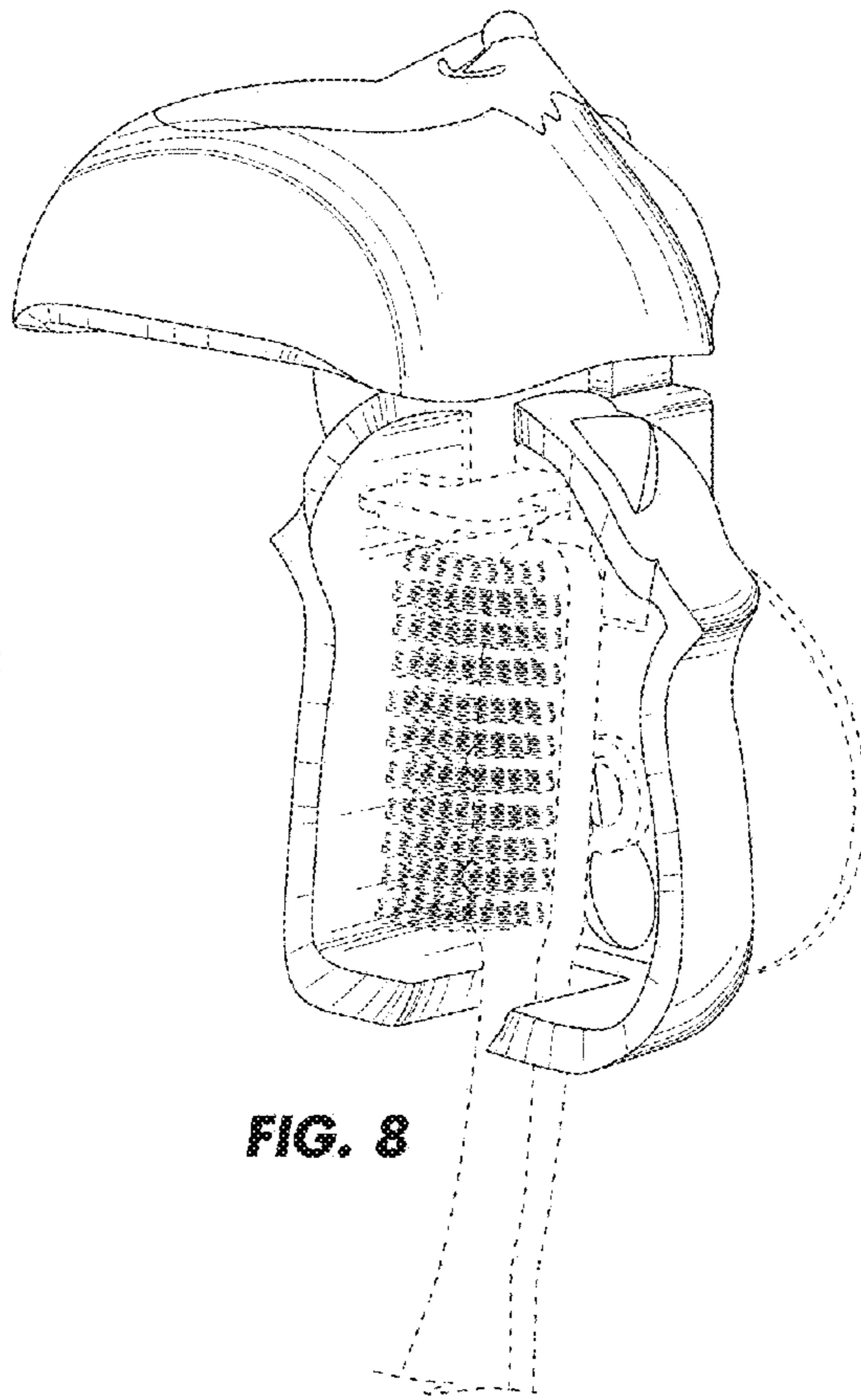
**FIG. 5**



**FIG. 6**



**FIG. 7**



**FIG. 8**