



US00D767296S

(12) **United States Design Patent** (10) **Patent No.:** **US D767,296 S**  
**Chen** (45) **Date of Patent:** **\*\* Sep. 27, 2016**

(54) **CHAIR**

(71) Applicant: **SKY-KEEN ENTERPRISE CO., LTD.**, Taichung (TW)

(72) Inventor: **Hui-Ling Chen**, Taichung (TW)

(73) Assignee: **SKY-KEEN ENTERPRISE CO., LTD.**, Taichung (TW)

(\*\*) Term: **14 Years**

(21) Appl. No.: **29/510,913**

(22) Filed: **Dec. 4, 2014**

(51) **LOC (10) Cl.** ..... **06-01**

(52) **U.S. Cl.**  
 USPC ..... **D6/375**

(58) **Field of Classification Search**  
 USPC ..... D6/334-336, 371, 372, 373, 375, 376,  
 D6/380, 716, 716.1, 716.2, 716.3, 716.4  
 CPC ..... A47C 3/04; A47C 3/12; A47C 4/03;  
 A47C 5/06; A47C 5/12  
 See application file for complete search history.

D513,911 S \* 1/2006 Glass ..... D6/375  
 D522,265 S \* 6/2006 Glass ..... D6/375  
 D544,230 S \* 6/2007 Glass ..... D6/375  
 D566,979 S \* 4/2008 Cox ..... D6/375  
 D597,758 S \* 8/2009 Barrett ..... D6/375  
 D707,461 S \* 6/2014 Rada ..... D6/375  
 D743,180 S \* 11/2015 Mehaffey ..... D6/375

\* cited by examiner

*Primary Examiner* — Mimoso De  
 (74) *Attorney, Agent, or Firm* — Jackson IPG PLLC;  
 Demian K. Jackson

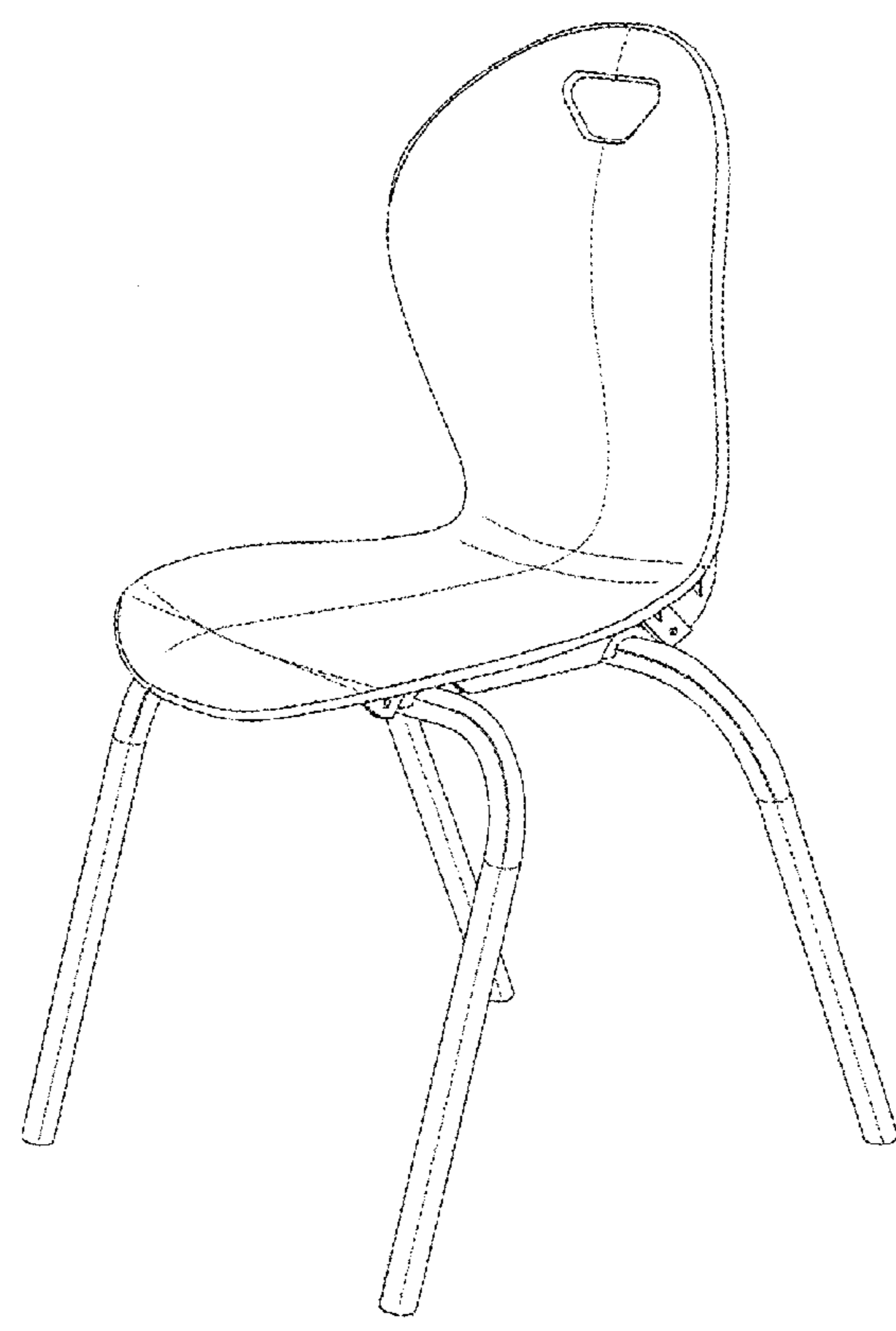
(57) **CLAIM**  
 The ornamental design for a chair, substantially as shown and described.

**DESCRIPTION**

FIG. 1 is a perspective view of the chair design;  
 FIG. 2 is a top view of the chair design;  
 FIG. 3 is a bottom view of the chair design;  
 FIG. 4 is a left side view of the chair design;  
 FIG. 5 is a right side view of the chair design;  
 FIG. 6 is a back view of the chair design; and,  
 FIG. 7 is a front view of the chair design.  
 Those portions of the illustrated design illustrated by broken lines form no part of the claimed design.

**1 Claim, 7 Drawing Sheets**

(56) **References Cited**  
 U.S. PATENT DOCUMENTS  
 D499,260 S \* 12/2004 Glass ..... D6/375  
 D503,559 S \* 4/2005 Glass ..... D6/372



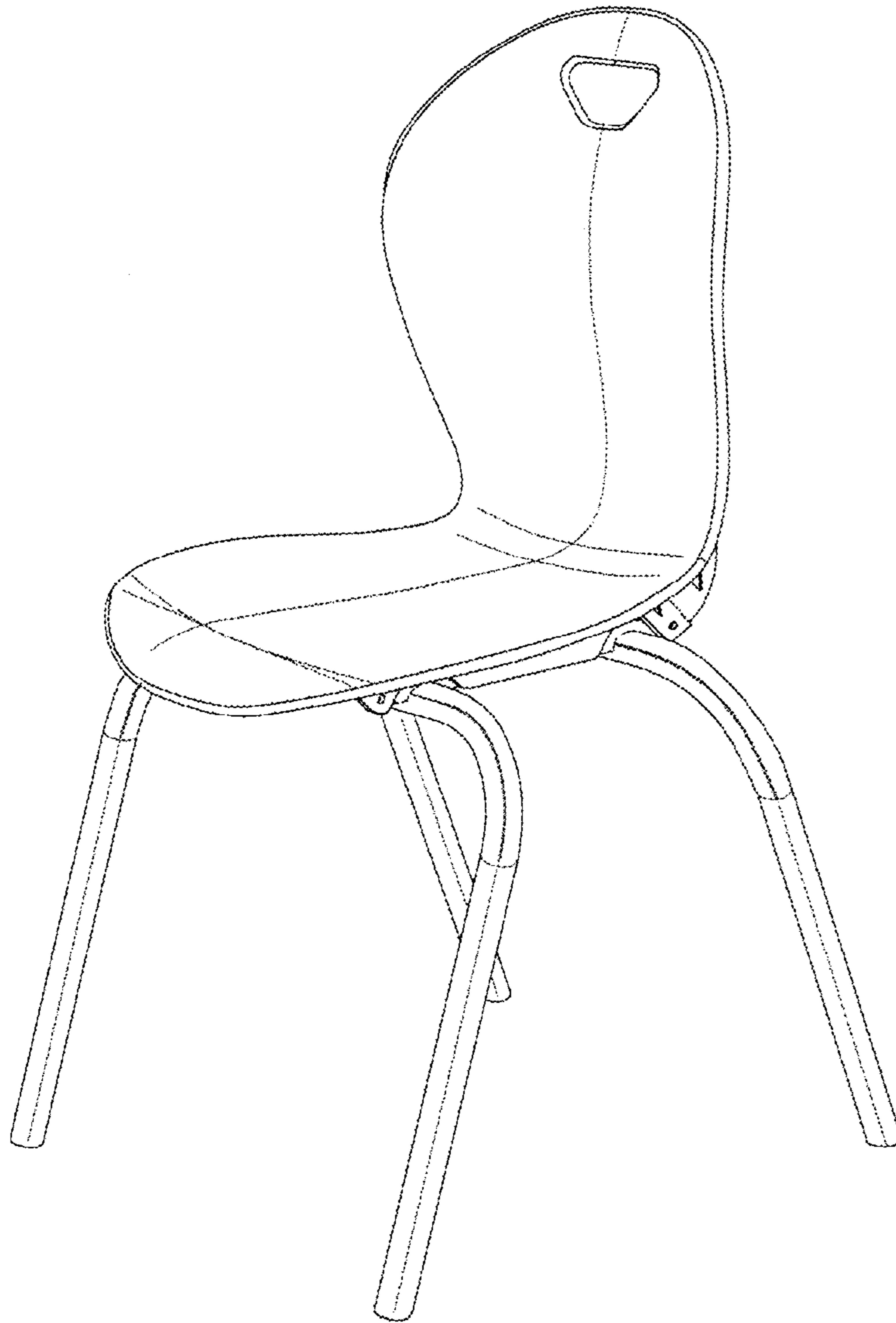


FIG. 1

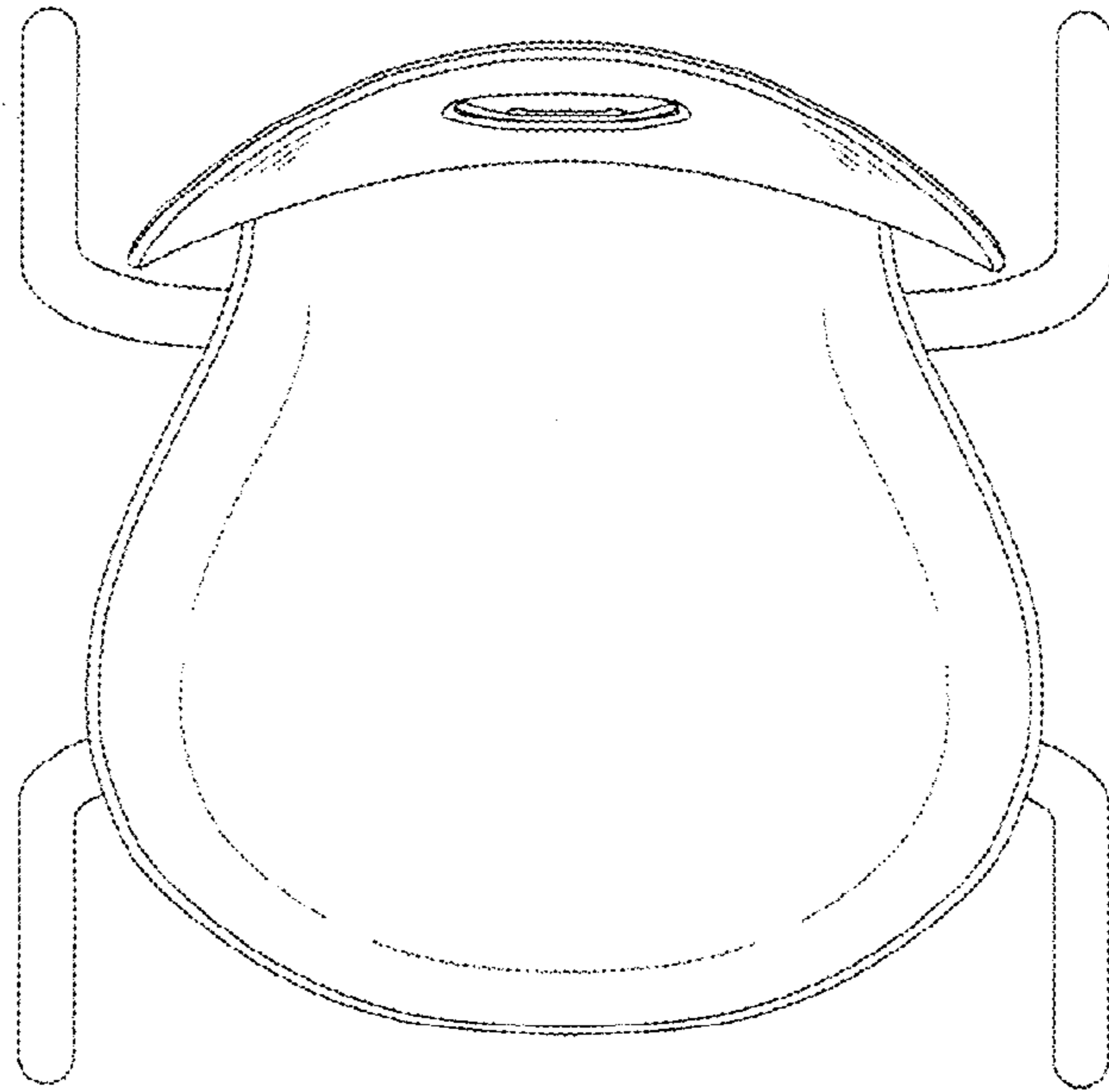


FIG. 2

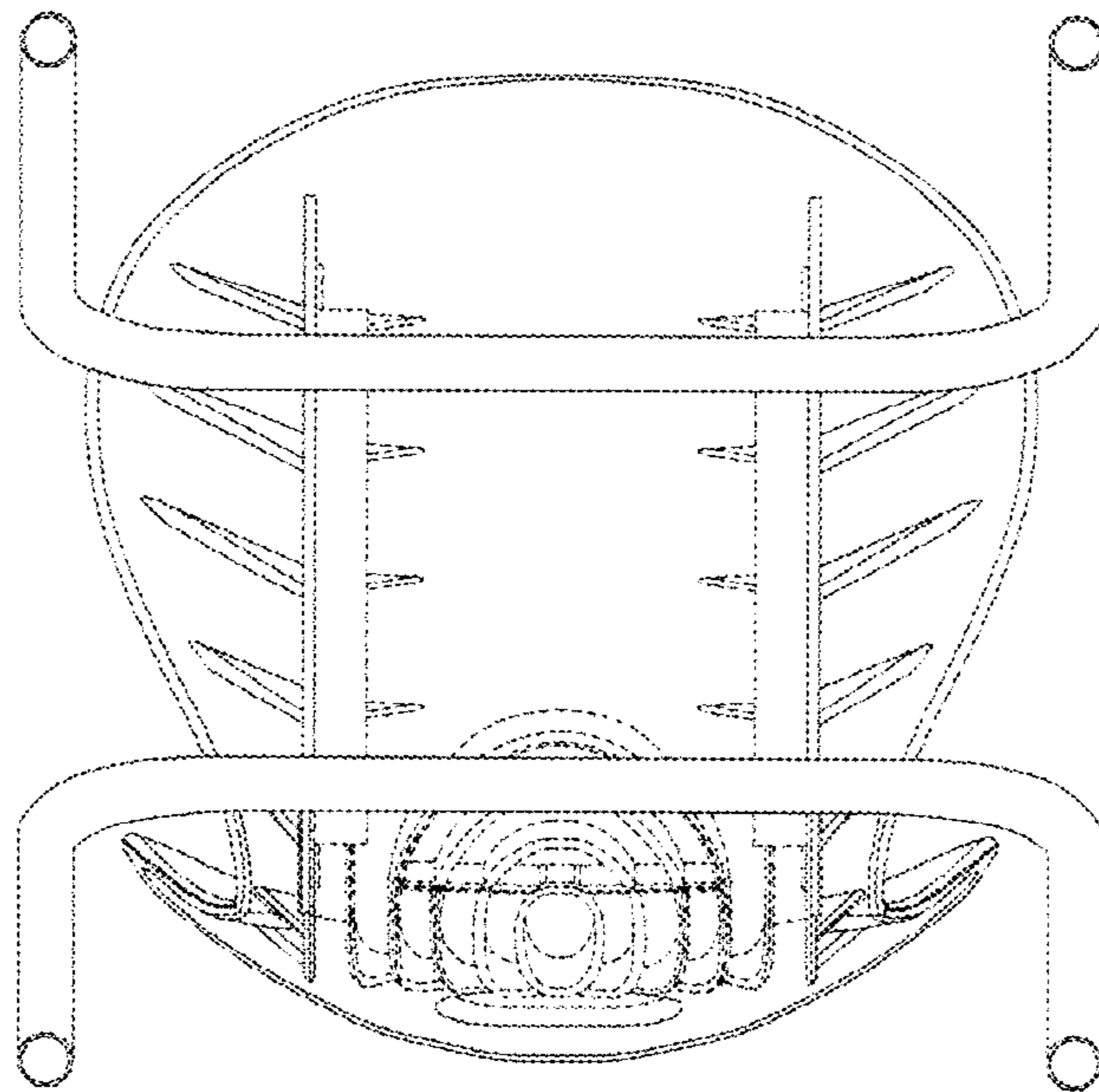


FIG. 3

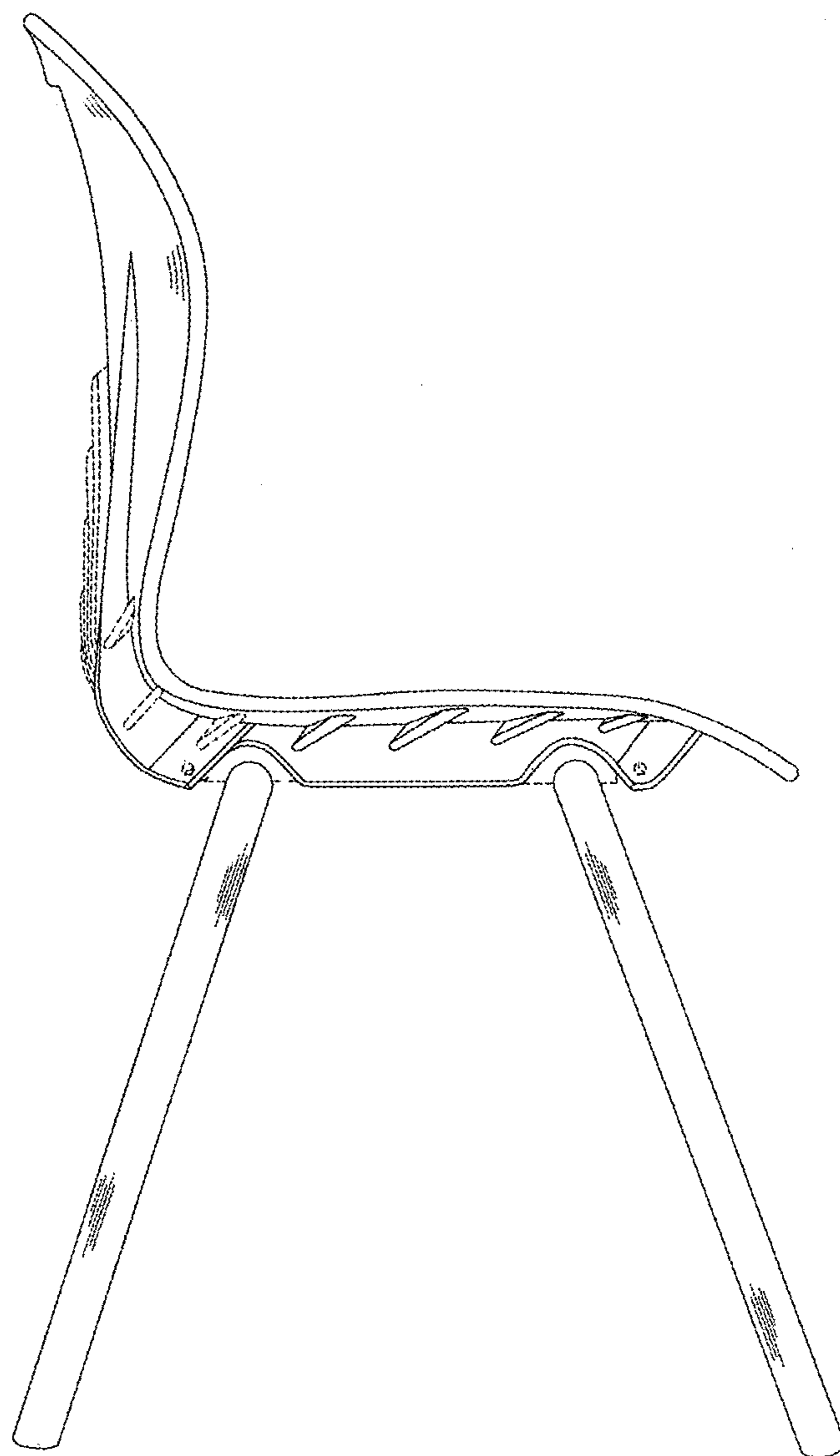


FIG. 4

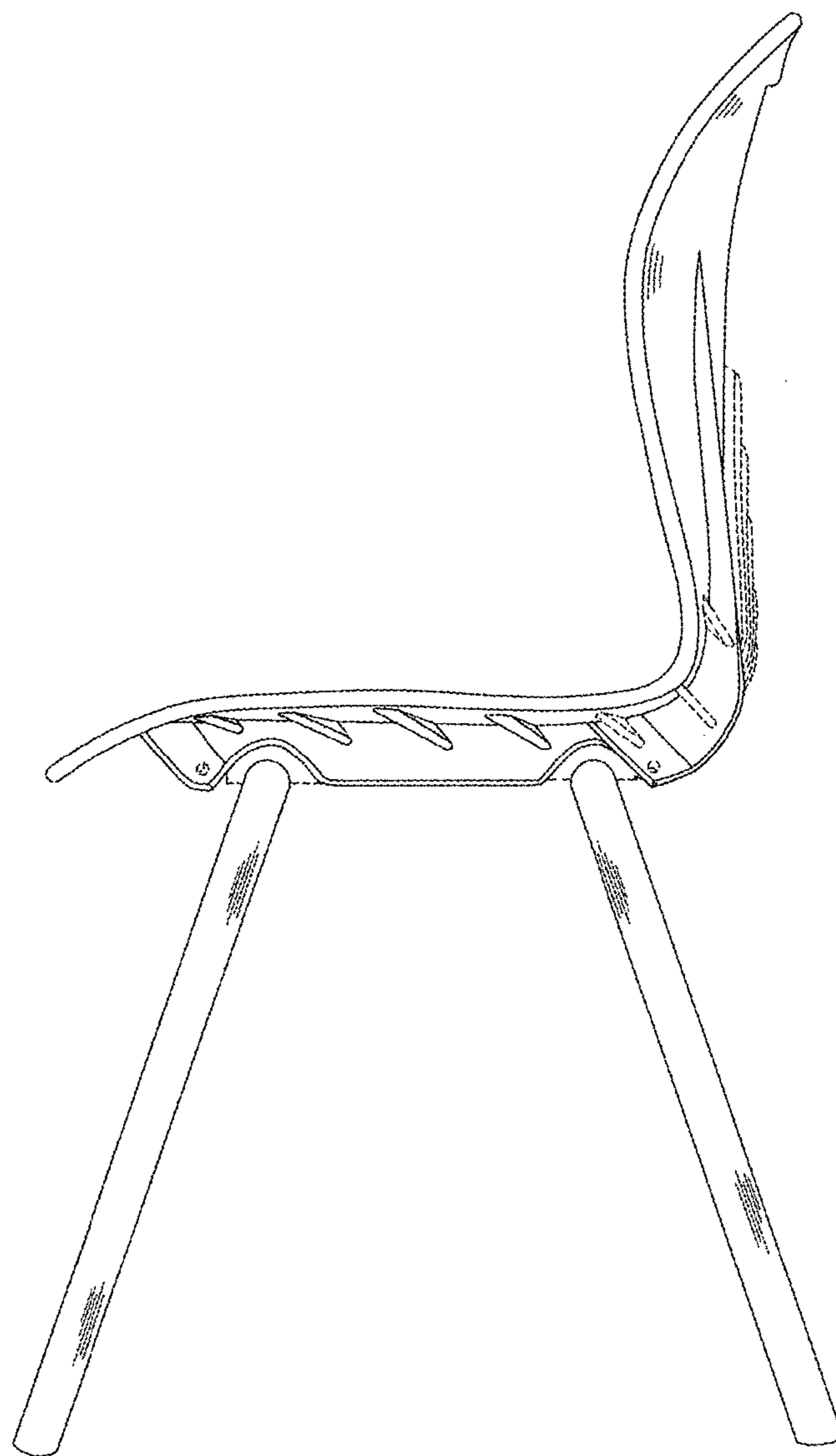


FIG. 5

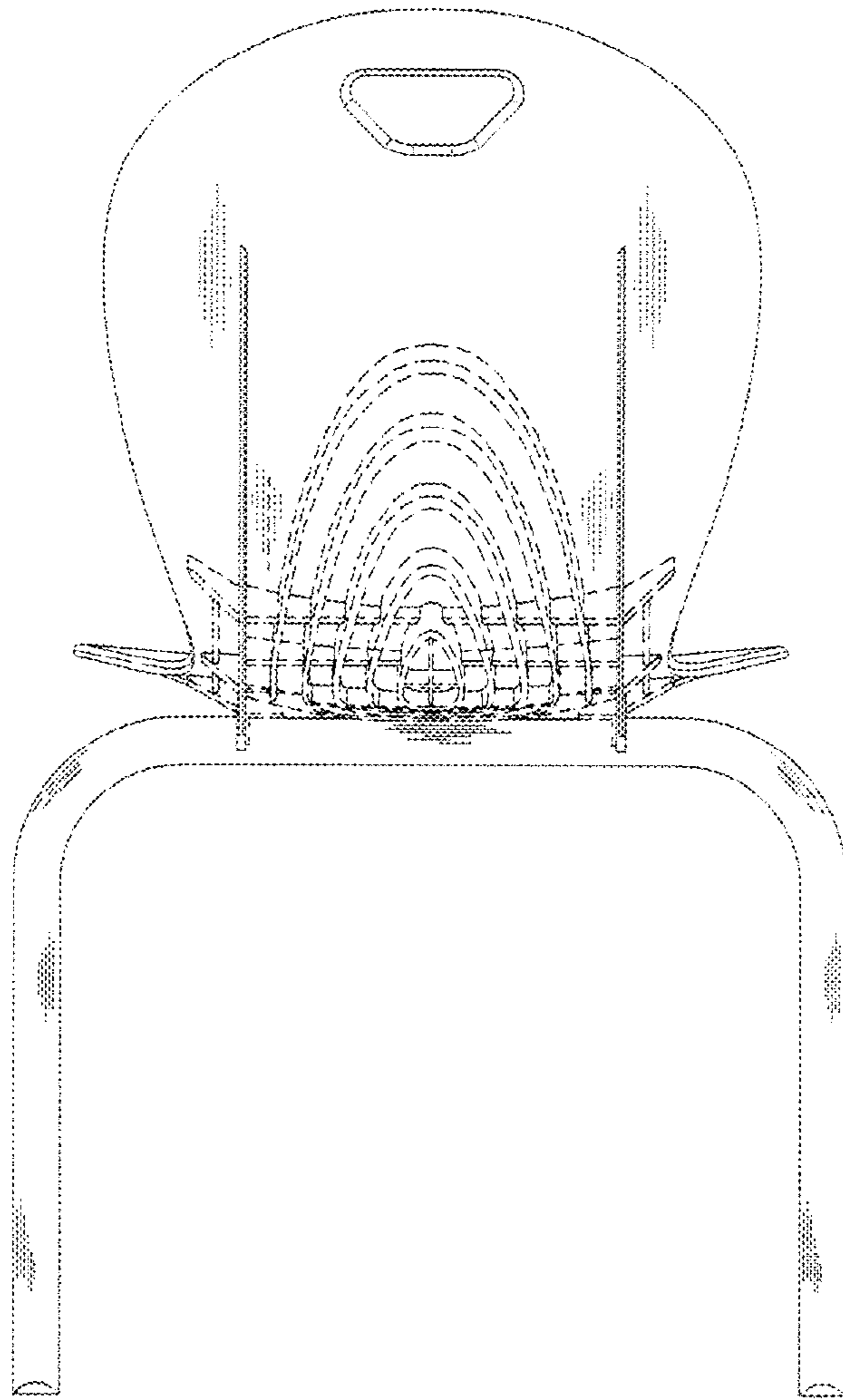


FIG. 6

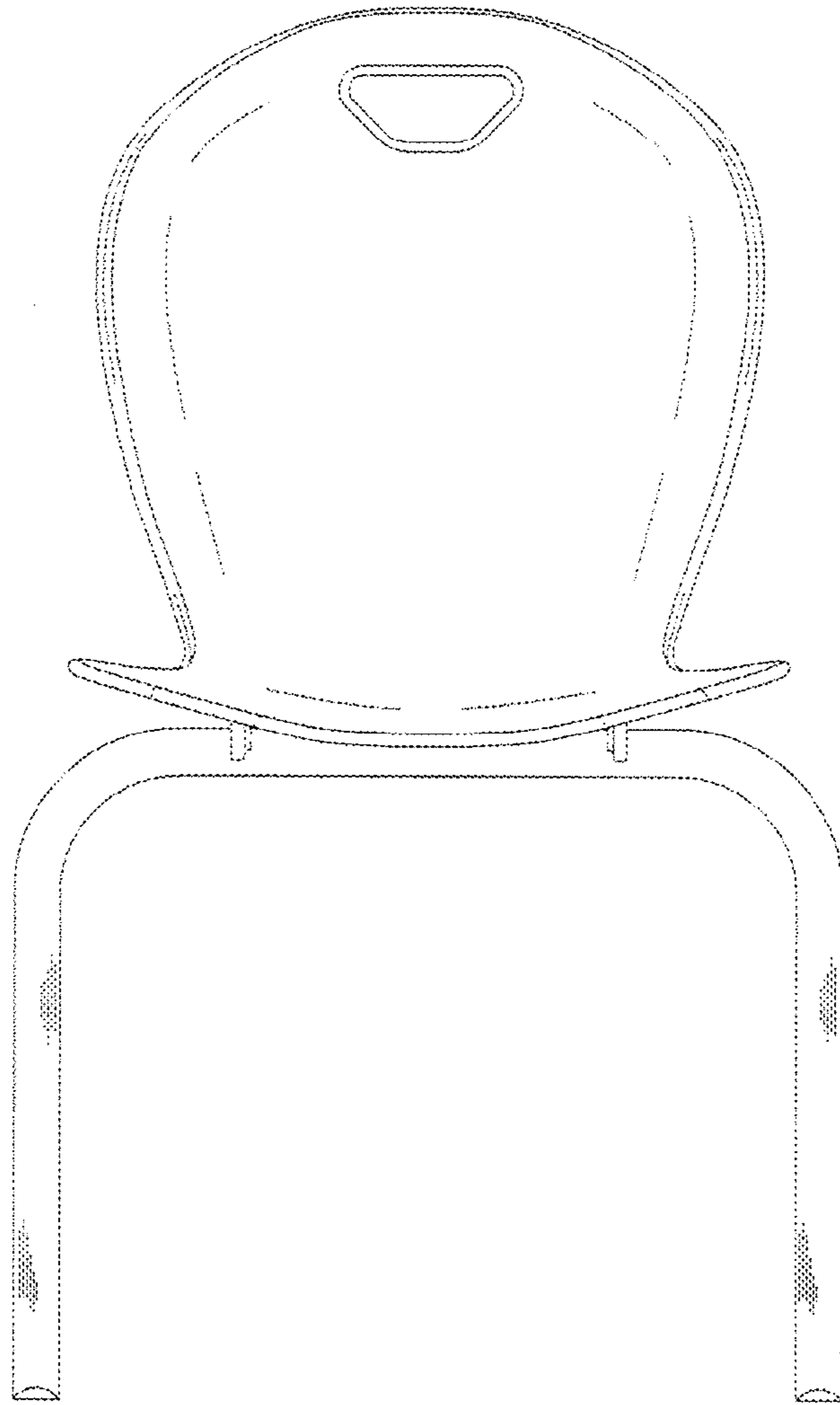


FIG. 7