

US00D767295S

(12) **United States Design Patent**
Haase et al.

(10) **Patent No.:** **US D767,295 S**

(45) **Date of Patent:** **** Sep. 27, 2016**

(54) **SEATING**

(71) Applicant: **Grand Rapids Chair Company**, Grand Rapids, MI (US)

(72) Inventors: **Ryan E. Haase**, Grand Rapids, MI (US); **Paul A. James**, Edina, MN (US)

(73) Assignee: **Grand Rapids Chair Company**, Grand Rapids, MI (US)

(**) Term: **15 Years**

(21) Appl. No.: **29/546,114**

(22) Filed: **Nov. 19, 2015**

Related U.S. Application Data

(62) Division of application No. 29/486,619, filed on Apr. 1, 2014, now Pat. No. Des. 747,611.

(51) **LOC (10) Cl.** **06-01**

(52) **U.S. Cl.**
USPC **D6/374**

(58) **Field of Classification Search**
USPC D6/334-336, 370, 371-373, 374, 376, D6/379, 380, 716, 716.1, 716.2, 716.3, D6/716.4

CPC A47C 3/04; A47C 4/06; A47C 5/046; A47C 4/025; A47C 4/028; A47C 7/021; A47C 7/18; A47C 4/00

See application file for complete search history.

(56) **References Cited**

U.S. PATENT DOCUMENTS

D106,440 S 10/1937 Jackson
D165,788 S 1/1952 Rison
D173,930 S 2/1955 Belden
D193,657 S 9/1962 Van Buren

D194,742 S * 3/1963 Deaton D6/380
D197,643 S 3/1964 Kramer
D197,968 S * 4/1964 Leachman, Jr. D6/370
3,134,622 A 5/1964 Leachman, Jr.
D202,549 S 10/1965 Kramer
D202,550 S 10/1965 Kramer
D204,451 S 4/1966 Straits et al.
D223,244 S 4/1972 Prashker
D239,988 S 5/1976 Dittert

(Continued)

OTHER PUBLICATIONS

Commonly assigned U.S. Appl. No. 29/526,730, filed May 13, 2015, entitled Seating.

(Continued)

Primary Examiner — Mimosa De

(74) *Attorney, Agent, or Firm* — Gardner, Linn, Burkhart & Flory, LLP

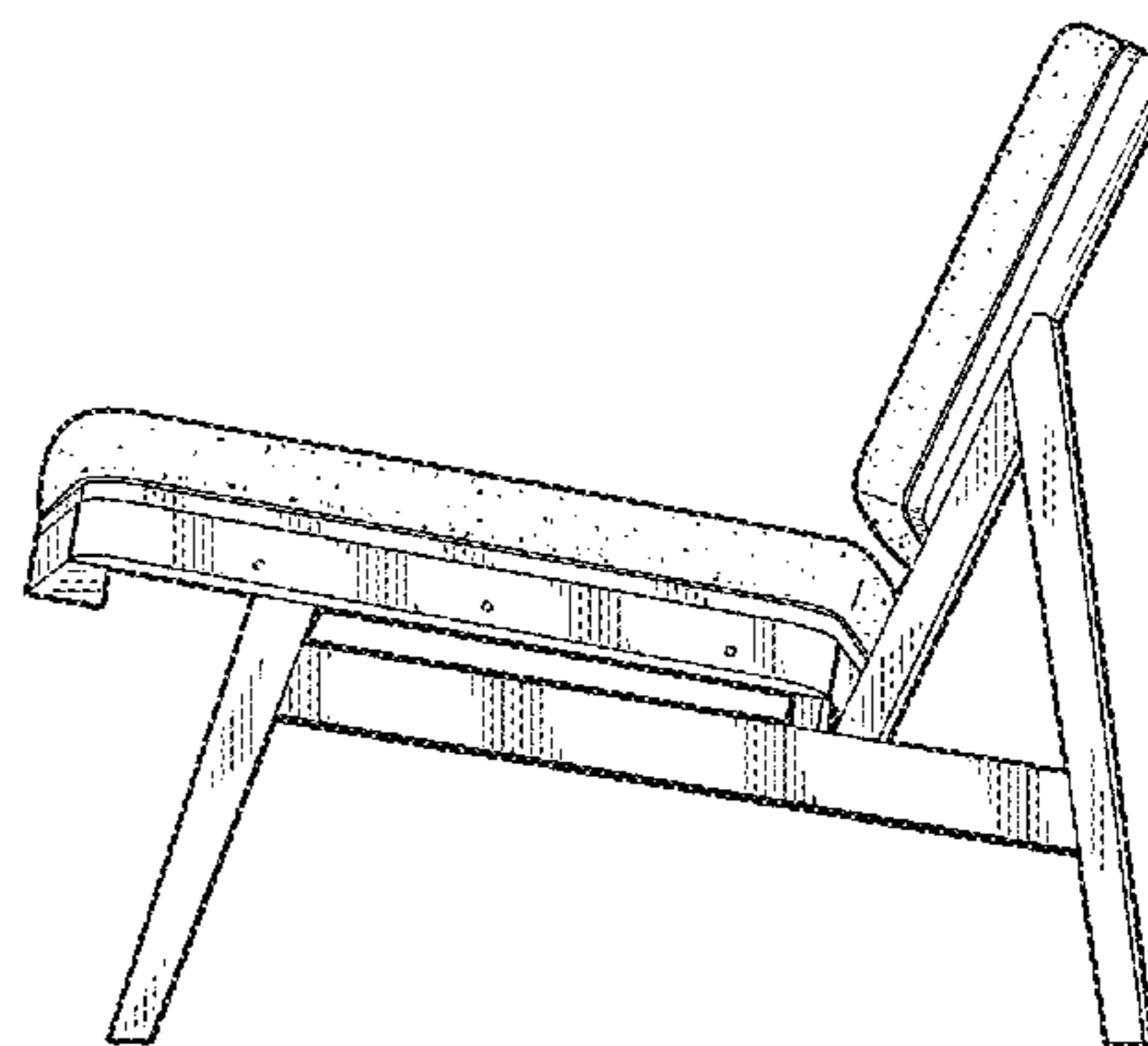
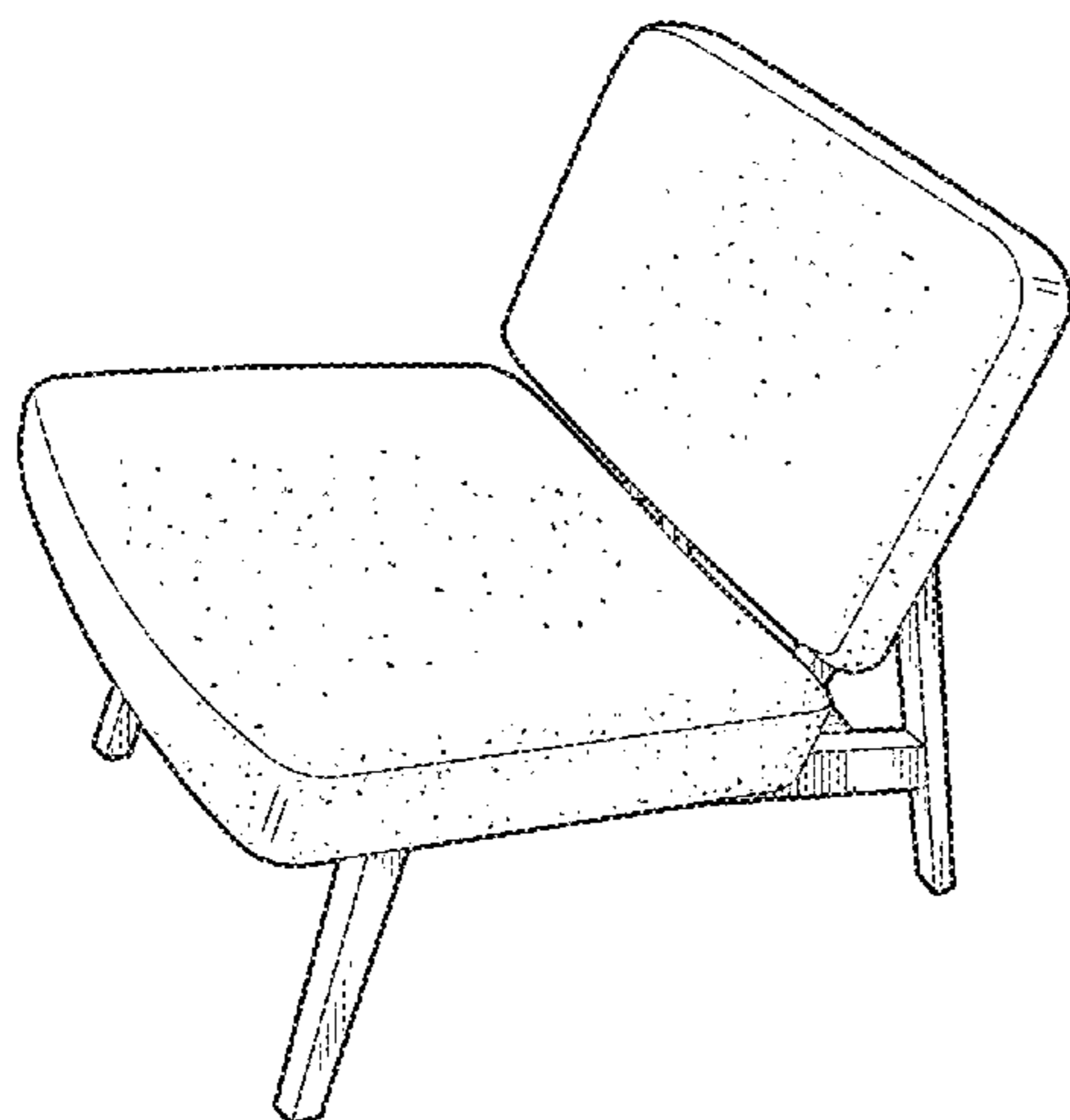
(57) **CLAIM**

The ornamental design for the seating, substantially as shown and described.

DESCRIPTION

FIG. 1 is a perspective view of seating, according to the present invention;
FIG. 2 is a front elevation view of the seating of FIG. 1;
FIG. 3 is a left-side elevation view of the seating of FIG. 1;
FIG. 4 is a rear elevation view of the seating of FIG. 1;
FIG. 5 is a right-side elevation view of the seating of FIG. 1;
FIG. 6 is a top plan view of the seating of FIG. 1; and,
FIG. 7 is a bottom plan view of the seating of FIG. 1.
The broken lines shown are included for the purpose of illustrating environment of the design and form no part of the claimed design.

1 Claim, 6 Drawing Sheets



(56)

References Cited

U.S. PATENT DOCUMENTS

D240,780 S 8/1976 Dittert
 4,032,190 A 6/1977 Muller-Deisig et al.
 D255,183 S 6/1980 Locher
 D255,293 S 6/1980 Locher
 D268,799 S 5/1983 Feldberg
 D269,232 S 6/1983 Benveniste
 D272,393 S 1/1984 Klier
 D279,155 S 6/1985 Aronowitz et al.
 D292,050 S 9/1987 Giordano
 D307,221 S 4/1990 Mudge
 D339,940 S 10/1993 Balderi et al.
 D346,911 S 5/1994 Lucci et al.
 D358,722 S 5/1995 Newman
 D372,132 S 7/1996 Infanti
 D375,848 S 11/1996 Grosfillex
 D381,828 S 8/1997 Kemnitzer
 D422,806 S 4/2000 Neil
 D512,236 S 12/2005 Preisig
 D512,238 S 12/2005 Chen
 D524,071 S 7/2006 Brooks
 D531,420 S 11/2006 Kita
 D544,228 S 6/2007 Bartlmae
 D559,570 S 1/2008 Higgs et al.
 D566,979 S 4/2008 Cox et al.
 D572,049 S 7/2008 Kerr
 D572,928 S 7/2008 Rittfeldt et al.
 D582,692 S 12/2008 Kerr
 D597,757 S 8/2009 Barbieri
 D597,758 S 8/2009 Barrett et al.
 D609,036 S 2/2010 Miller et al.

D611,740 S 3/2010 Koh
 D617,567 S 6/2010 Stiker Metral
 D643,652 S 8/2011 Piretti
 D644,849 S 9/2011 Sienkowski et al.
 D646,087 S 10/2011 Miller et al.
 D648,566 S 11/2011 Sienkowski et al.
 D654,279 S 2/2012 Barile
 8,112,868 B2 2/2012 Miller
 D659,424 S 5/2012 Gramza et al.
 D659,444 S 5/2012 James
 D663,131 S 7/2012 Barefoot et al.
 D672,975 S 12/2012 Rashid
 D683,558 S 6/2013 Rada et al.
 D686,836 S 7/2013 Mascetti et al.
 D690,952 S * 10/2013 Becker D6/374
 D701,719 S 4/2014 Haase et al.
 D704,470 S * 5/2014 Welborn D6/379
 D707,461 S 6/2014 Rada et al.
 D720,942 S 1/2015 Schweikarth
 D723,826 S 3/2015 Kaloustian et al.
 D736,534 S * 8/2015 Stania D6/374
 D737,618 S 9/2015 Kaloustian et al.
 D741,618 S 10/2015 Haase et al.
 D747,611 S * 1/2016 Haase D6/380
 2009/0212607 A1 8/2009 Kaloustian et al.
 2011/0278889 A1 11/2011 Sienkowski et al.

OTHER PUBLICATIONS

Commonly assigned U.S. Appl. No. 29/528,775, filed Jun. 1, 2015, entitled Chair.

* cited by examiner

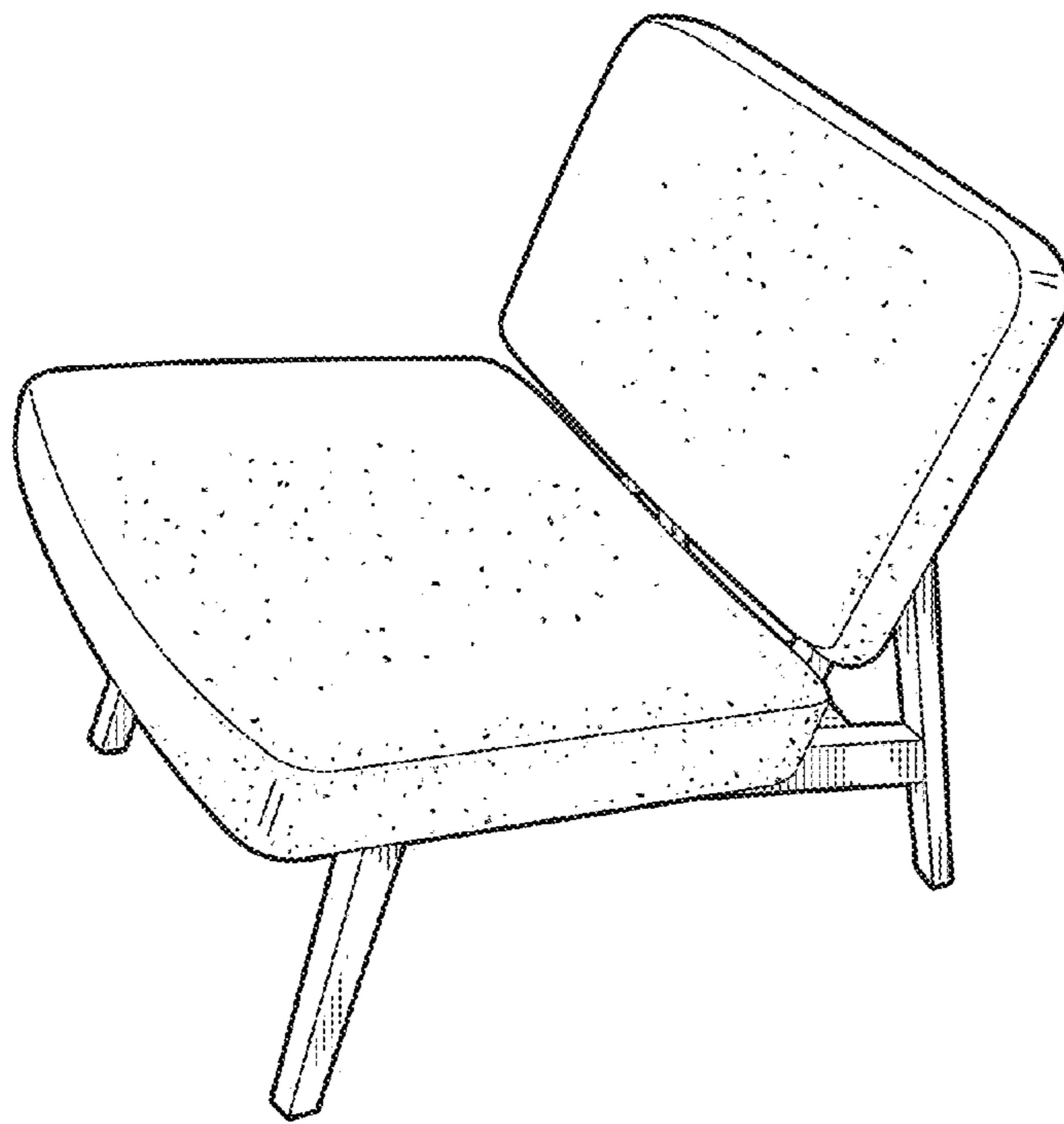


FIG. 1

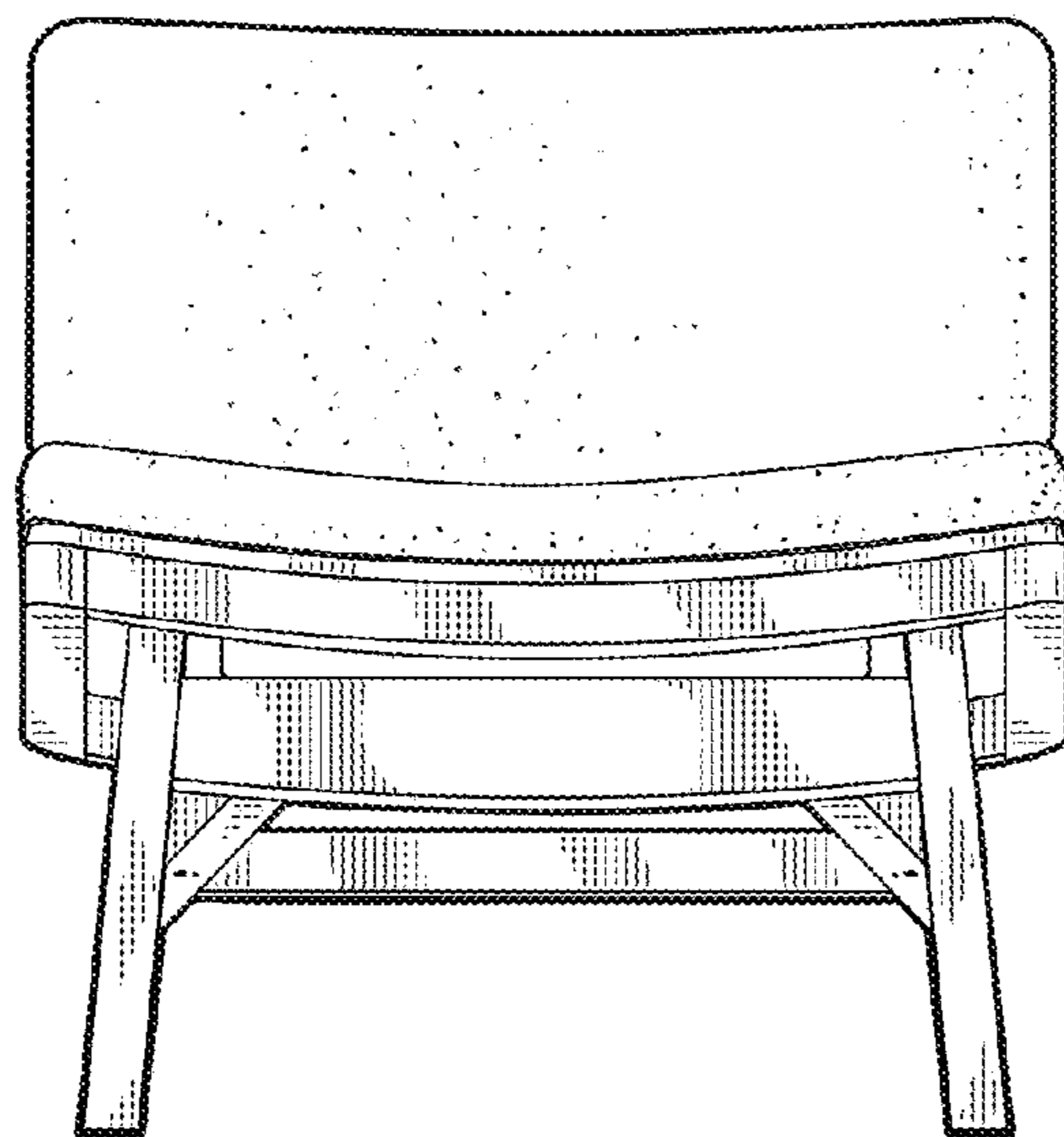


FIG. 2

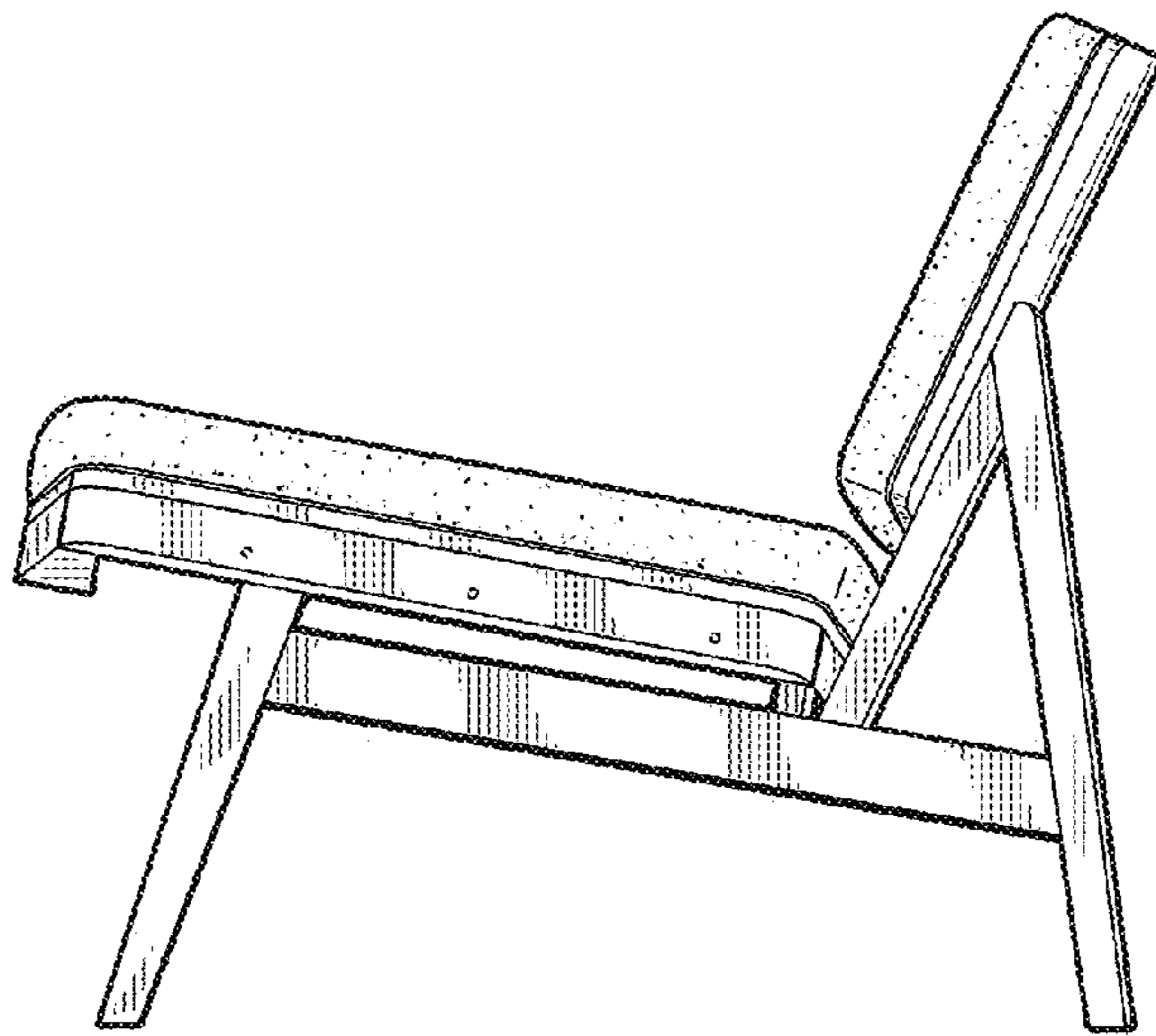


FIG. 3

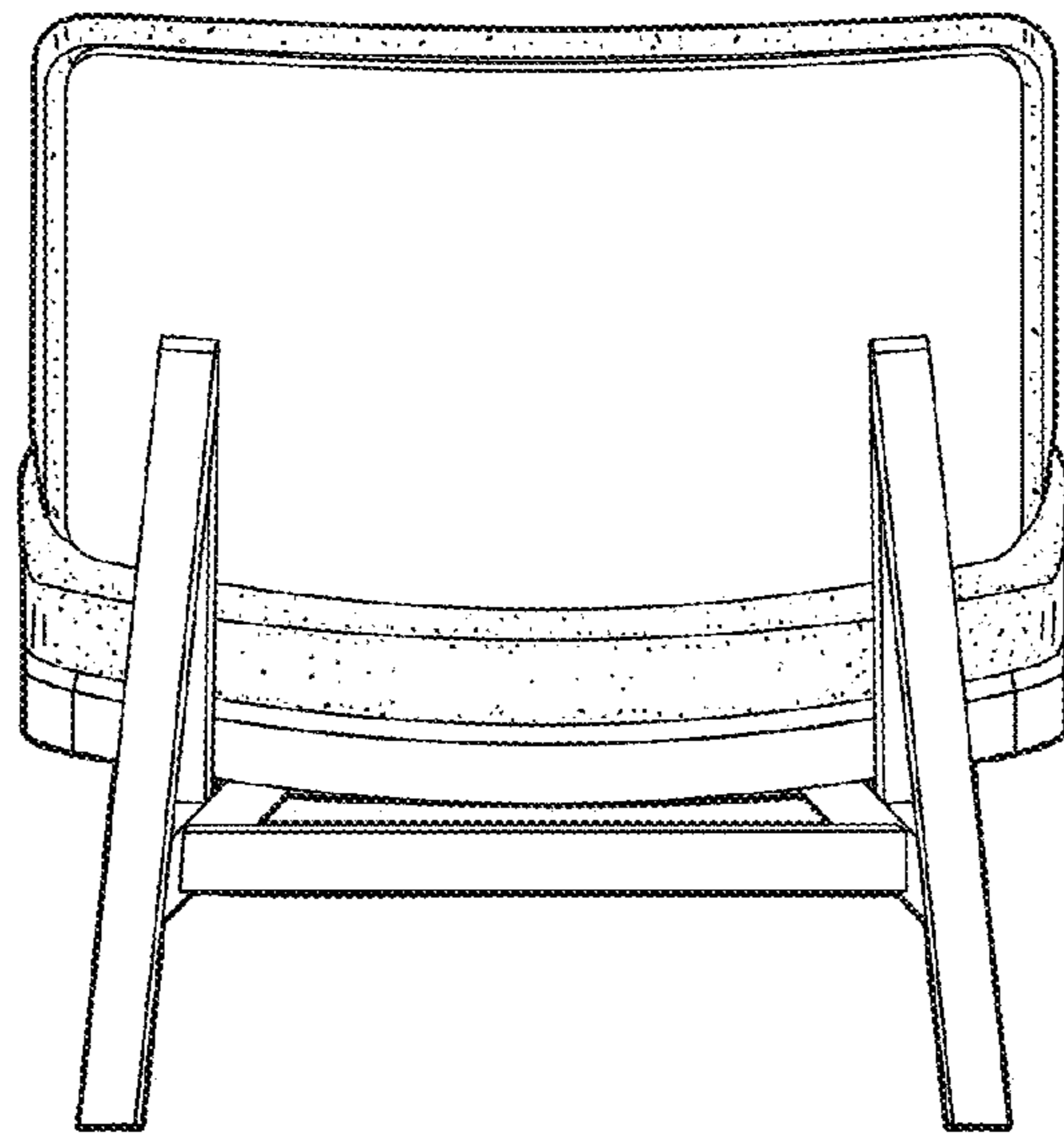


FIG. 4

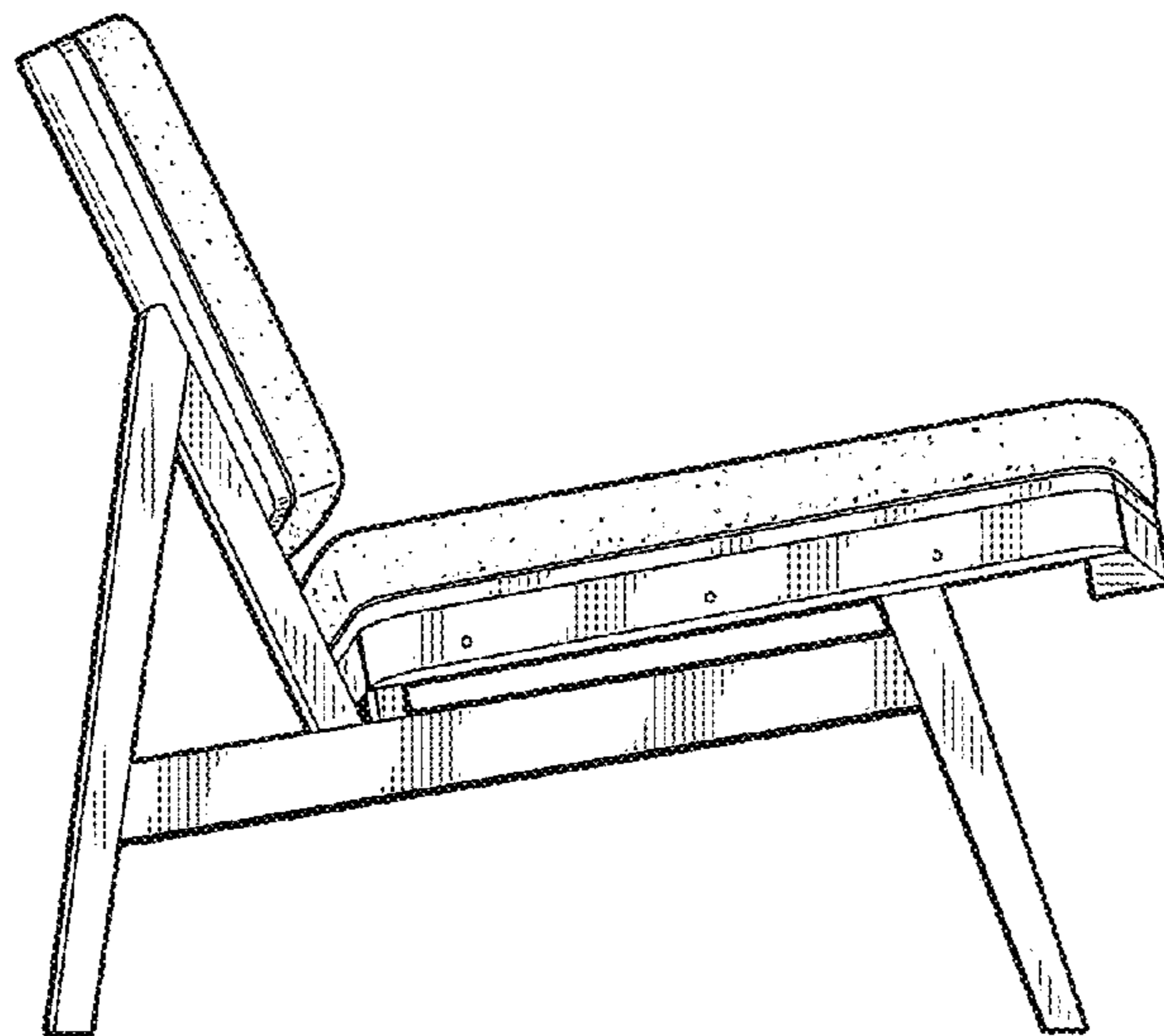


FIG. 5

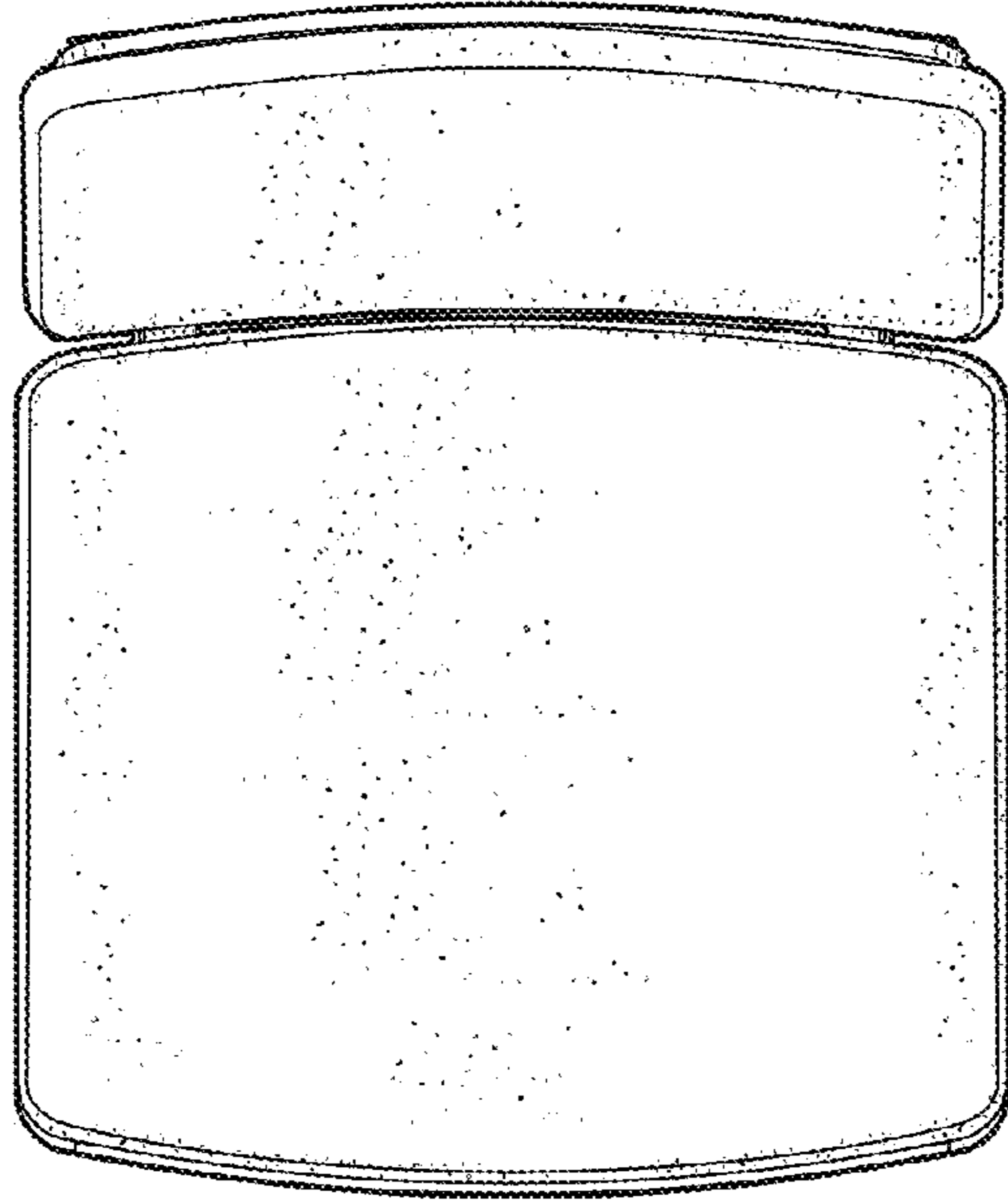


FIG. 6

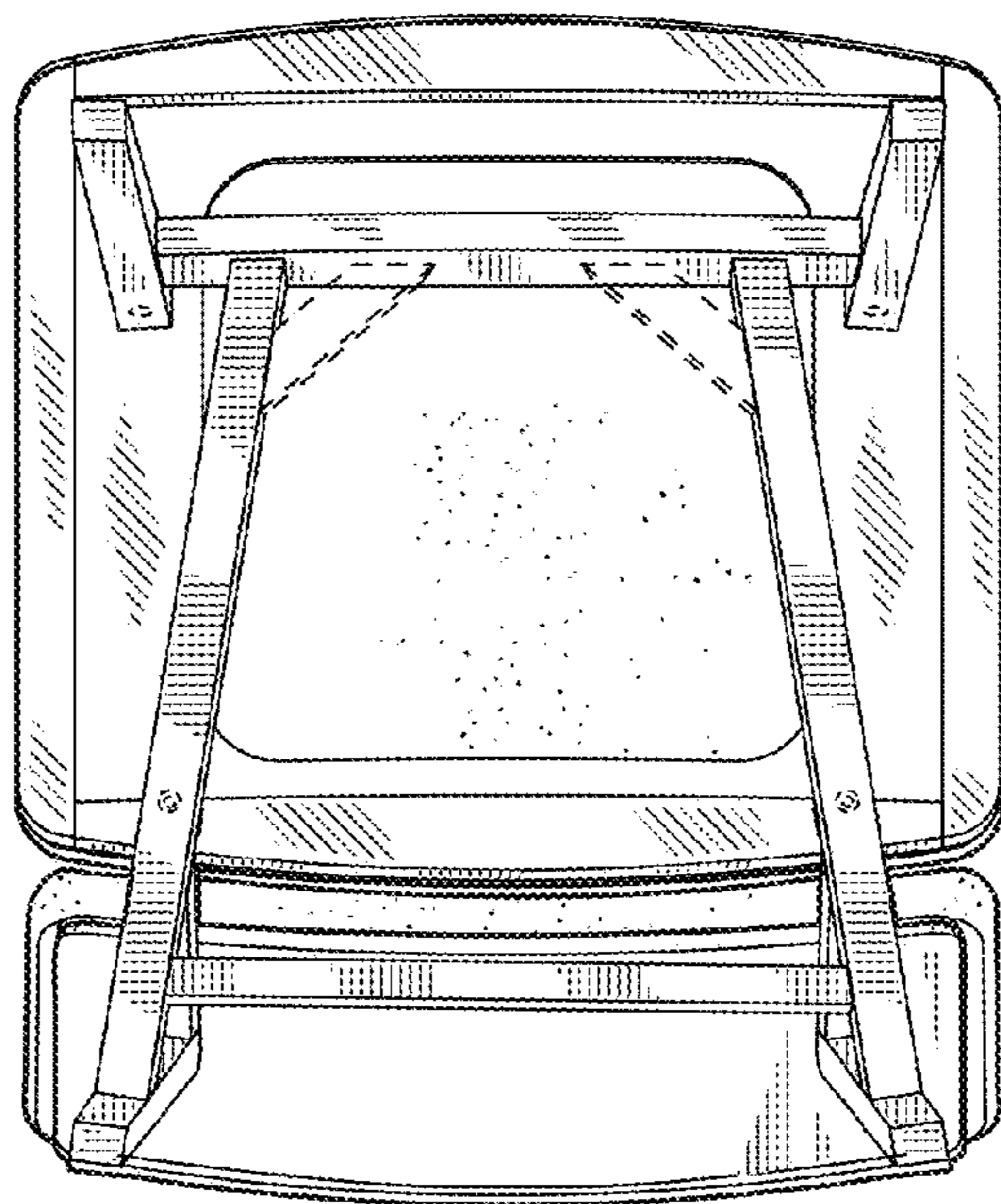


FIG. 7