

US00D767294S

(12) **United States Design Patent**
Lievore et al.

(10) **Patent No.:** **US D767,294 S**

(45) **Date of Patent:** **** Sep. 27, 2016**

(54) **OFFICE CHAIR**

(71) Applicant: **ARPER S.p.A.**, Monastier di Treviso (IT)

(72) Inventors: **Alberto Lievore**, Treviso (IT); **Jeannette Altherr**, Treviso (IT); **Manel Molina**, Treviso (IT)

(73) Assignee: **ARPER S.p.A.**, Monastier di Treviso (Treviso) (IT)

(**) Term: **14 Years**

(21) Appl. No.: **29/523,802**

(22) Filed: **Apr. 14, 2015**

(30) **Foreign Application Priority Data**

Oct. 17, 2014 (WO) 846242301

(51) **LOC (10) Cl.** **06-01**

(52) **U.S. Cl.**
USPC **D6/366**

(58) **Field of Classification Search**

USPC D6/334-336, 364, 365, 366, 374, 375,
D6/379, 380, 716, 716.1, 716.2, 716.4

CPC A47C 7/16; A47C 7/54; A47C 7/022;
A47C 7/40; A47C 7/18; A47C 7/22; A47C
7/24

See application file for complete search history.

(56) **References Cited**

U.S. PATENT DOCUMENTS

D233,638 S * 11/1974 Offrendi D6/366
D297,600 S * 9/1988 Wilson D6/366

D337,442 S * 7/1993 Baker D6/366
D423,261 S * 4/2000 Ritch D6/366
D607,672 S * 1/2010 Kubryk D6/366
D623,447 S * 9/2010 Kubryk D6/716
D649,796 S * 12/2011 Lievore D6/366
D657,151 S * 4/2012 Lievore D6/366
D683,979 S * 6/2013 Miller D6/366
D734,632 S * 7/2015 Hara D6/716
D738,658 S * 9/2015 Bellin D6/375

* cited by examiner

Primary Examiner — Mimosa De

(74) *Attorney, Agent, or Firm* — Thomas | Horstemeyer, LLP

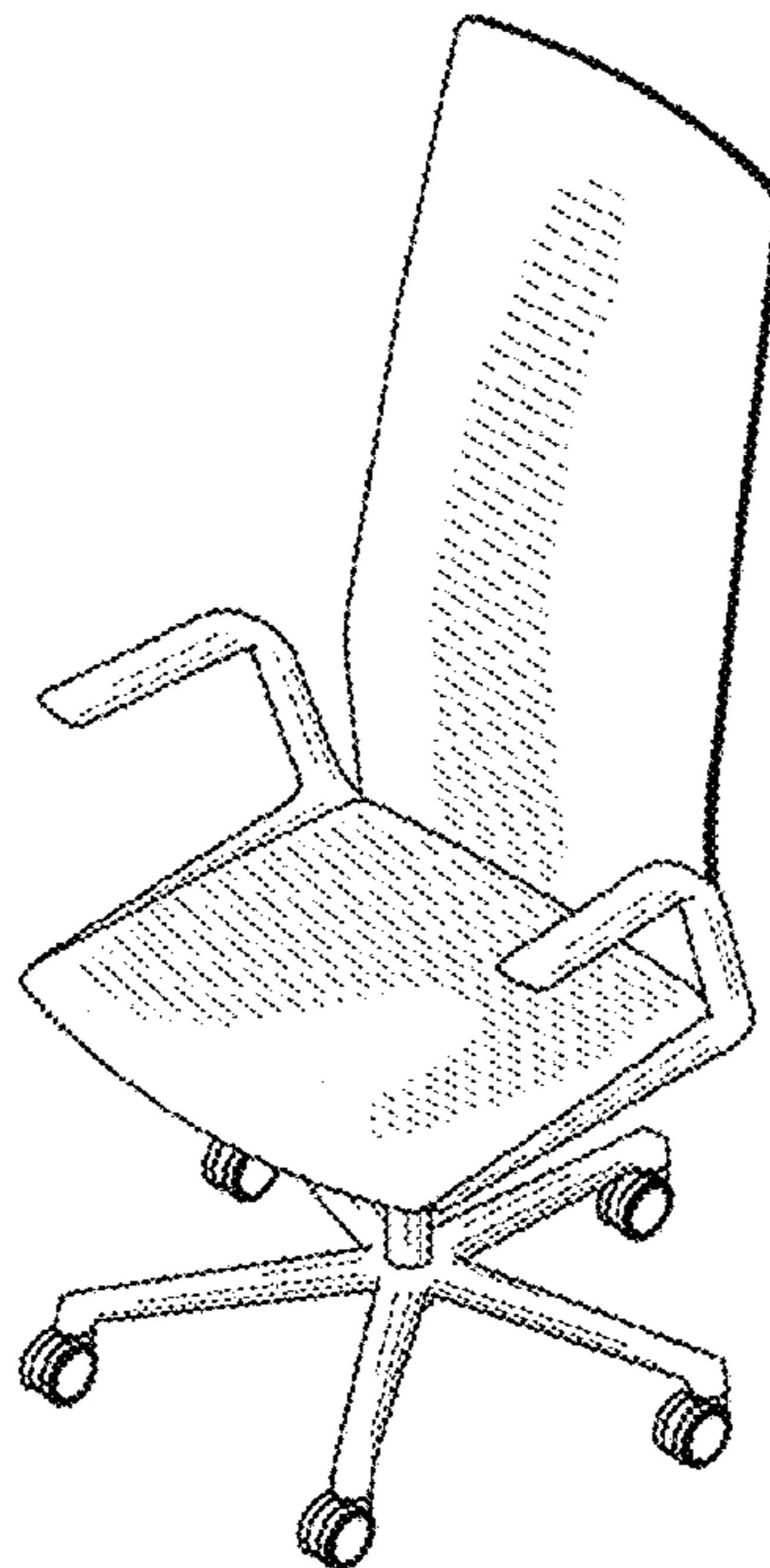
(57) **CLAIM**

The ornamental design for an office chair, as shown and described.

DESCRIPTION

FIG. 1 is a perspective view of my new office chair;
FIG. 2 is a perspective view of my new office chair from a back opposite that of FIG. 1;
FIG. 3 is a front elevational view of my new office chair of FIG. 1;
FIG. 4 is a rear elevational view of my new office chair, opposite that of FIG. 3;
FIG. 5 is a side elevational view of my new office chair of FIG. 1;
FIG. 6 is a side elevational view of my new office chair from a side opposite that of FIG. 5;
FIG. 7 is a top view of my new office chair; and,
FIG. 8 is a bottom view of my new office chair.

1 Claim, 8 Drawing Sheets



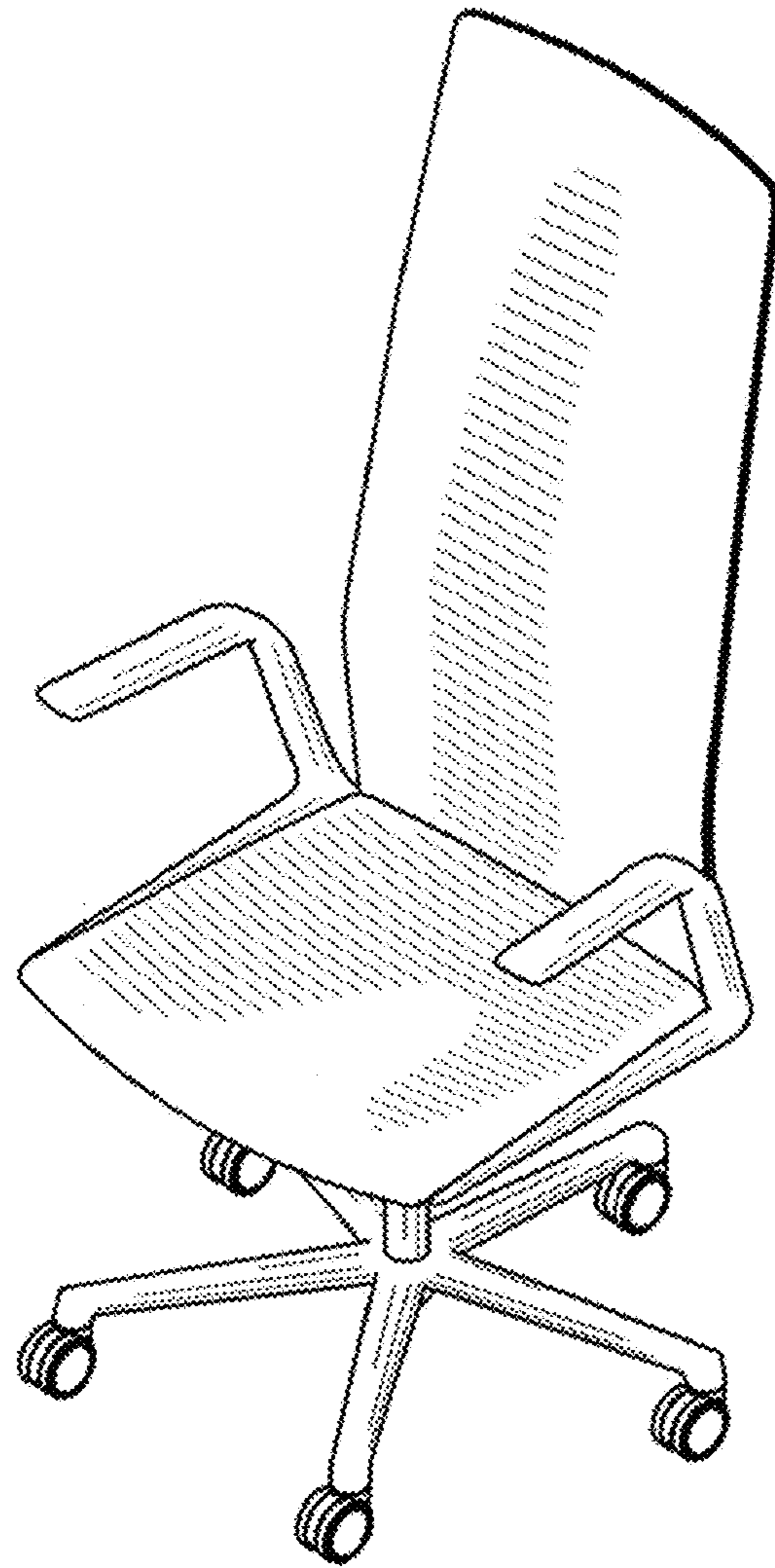


FIG.1

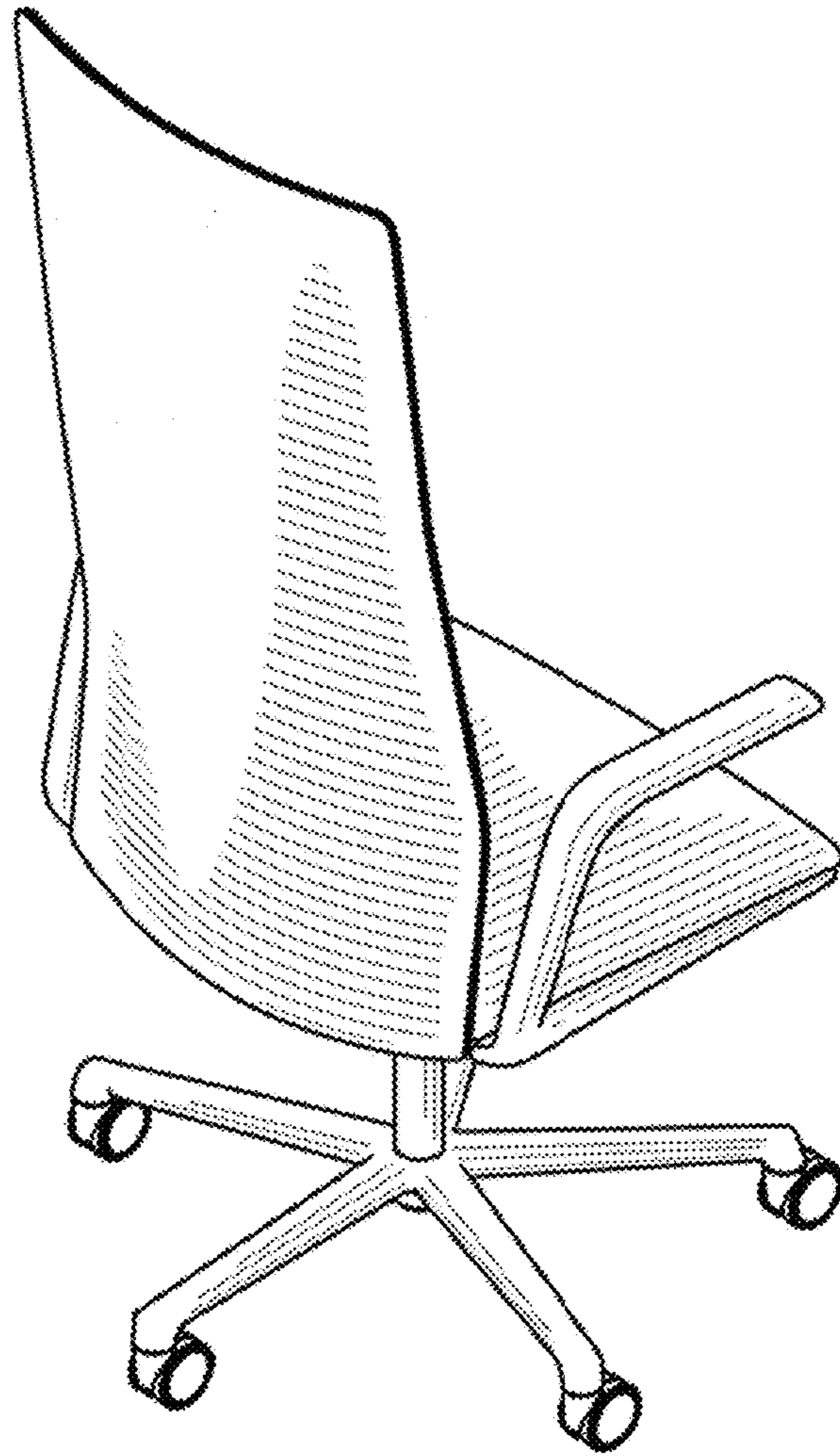


FIG.2

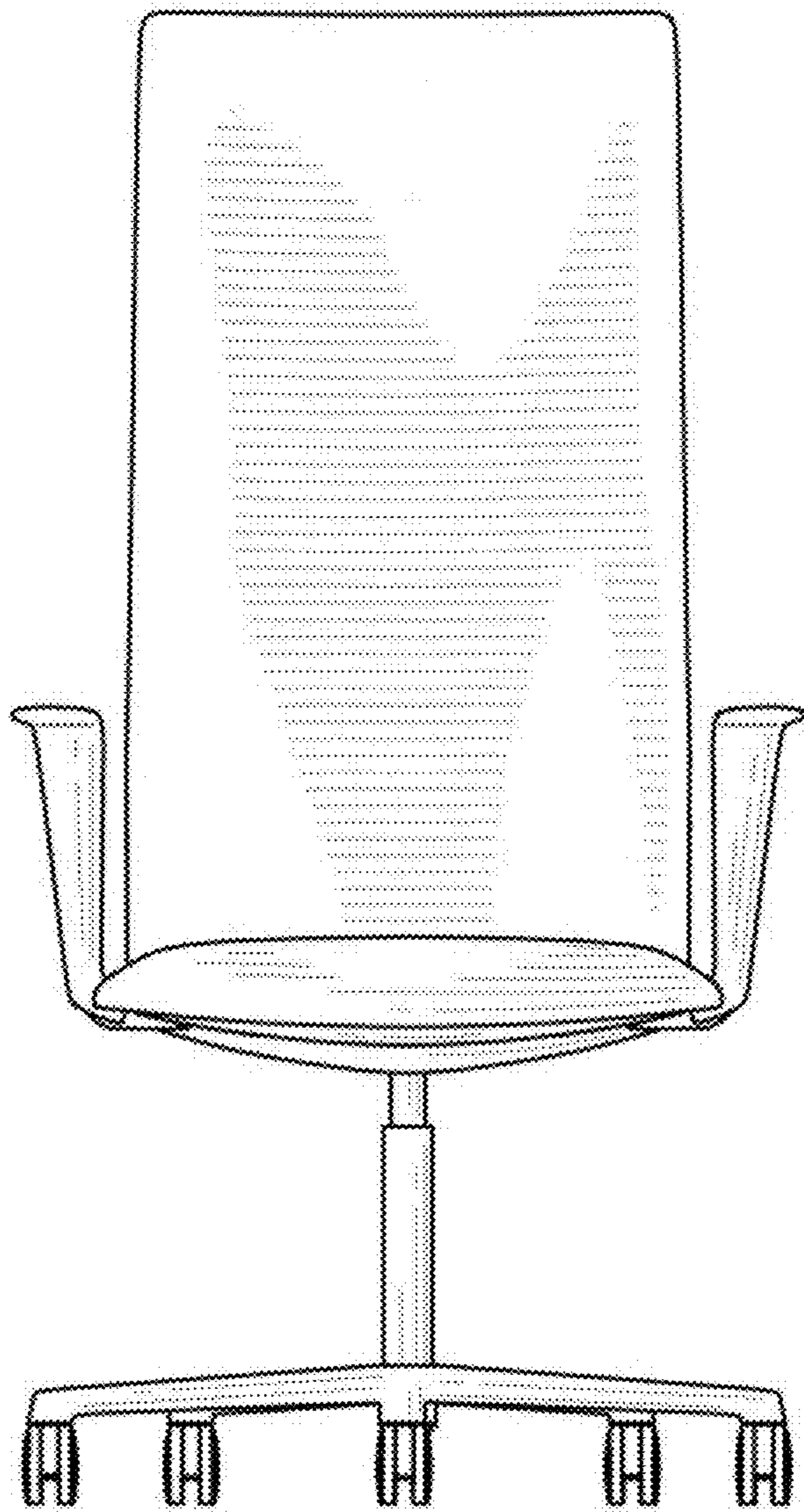


FIG. 3

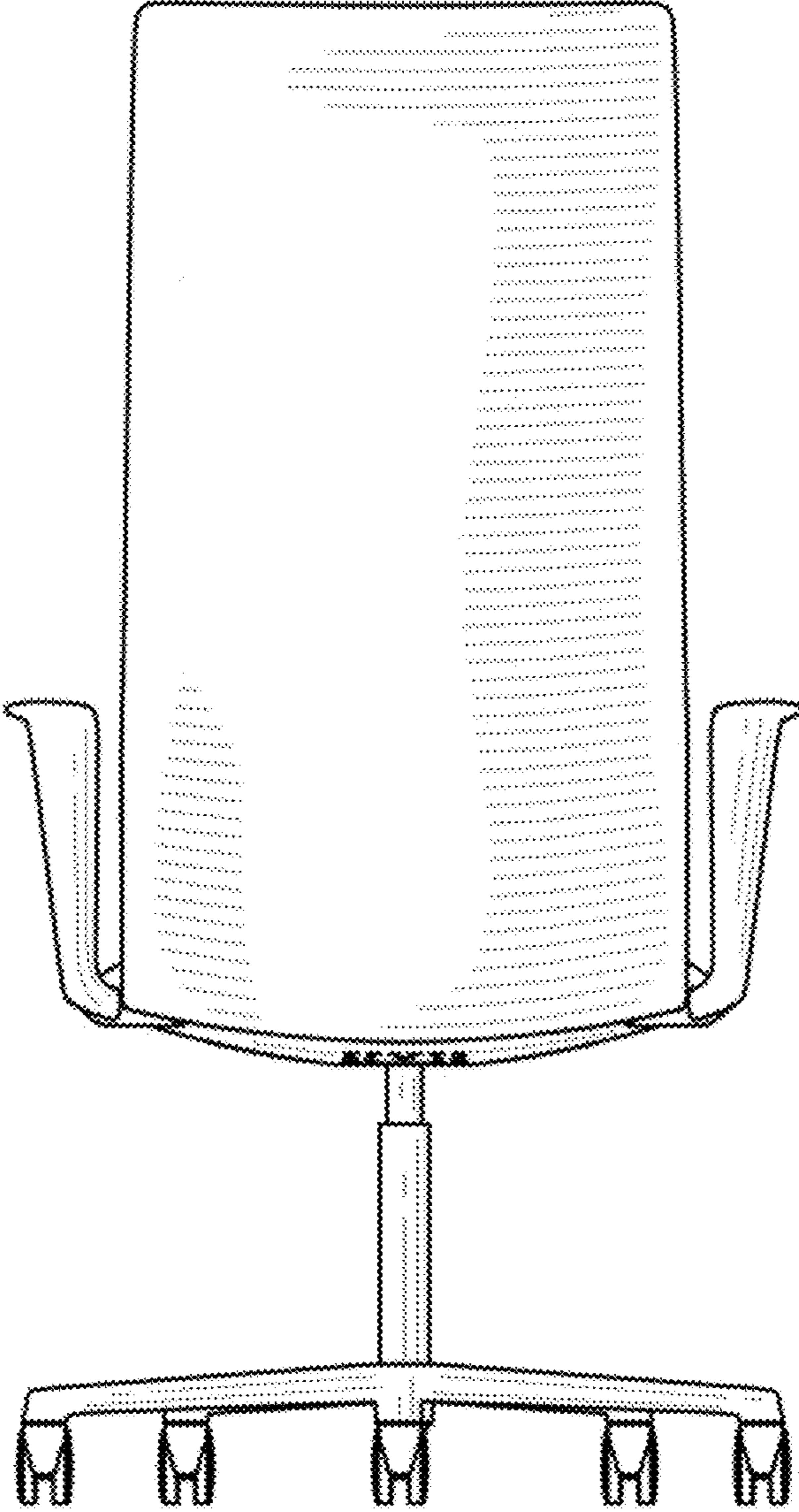


FIG. 4

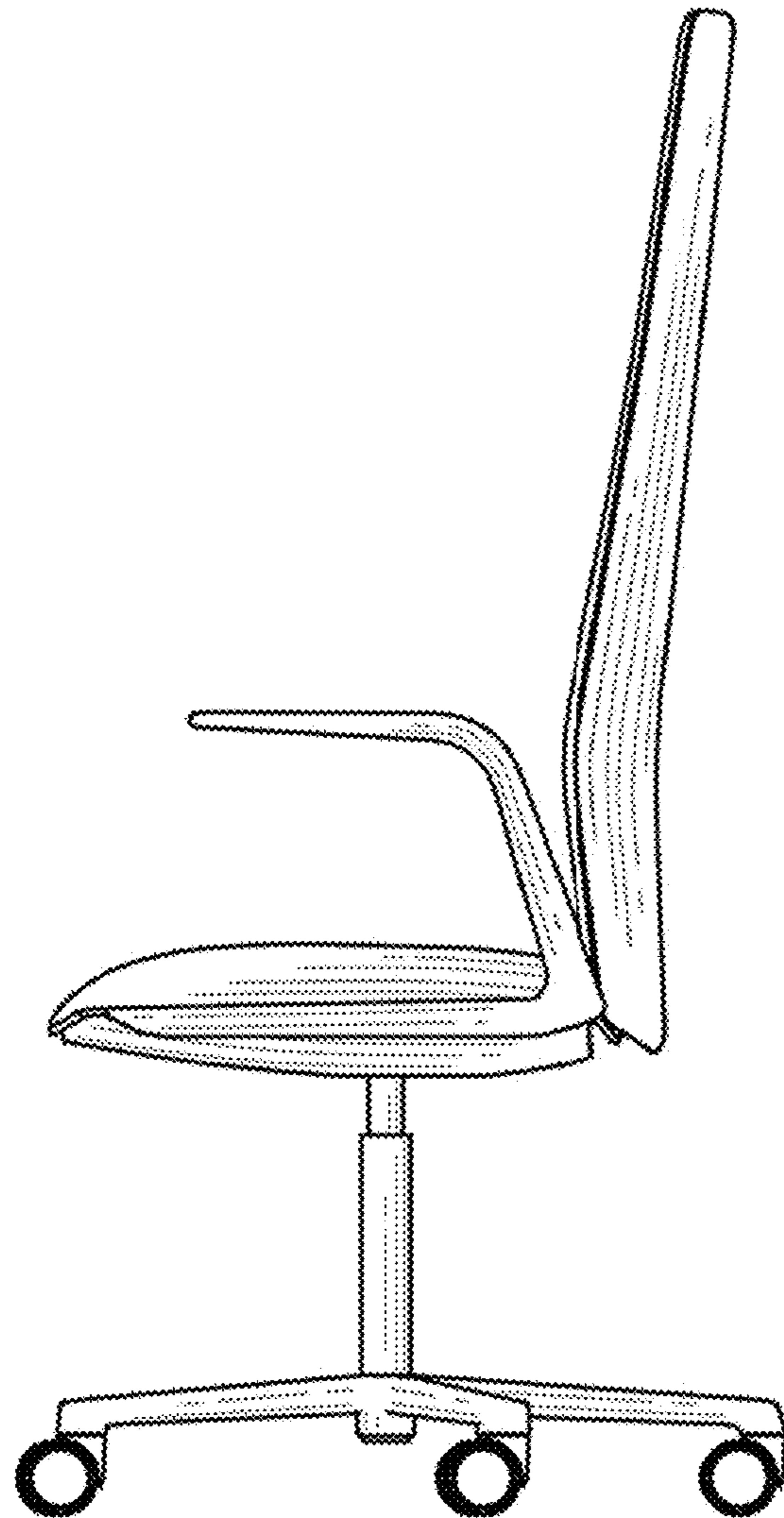


FIG. 5

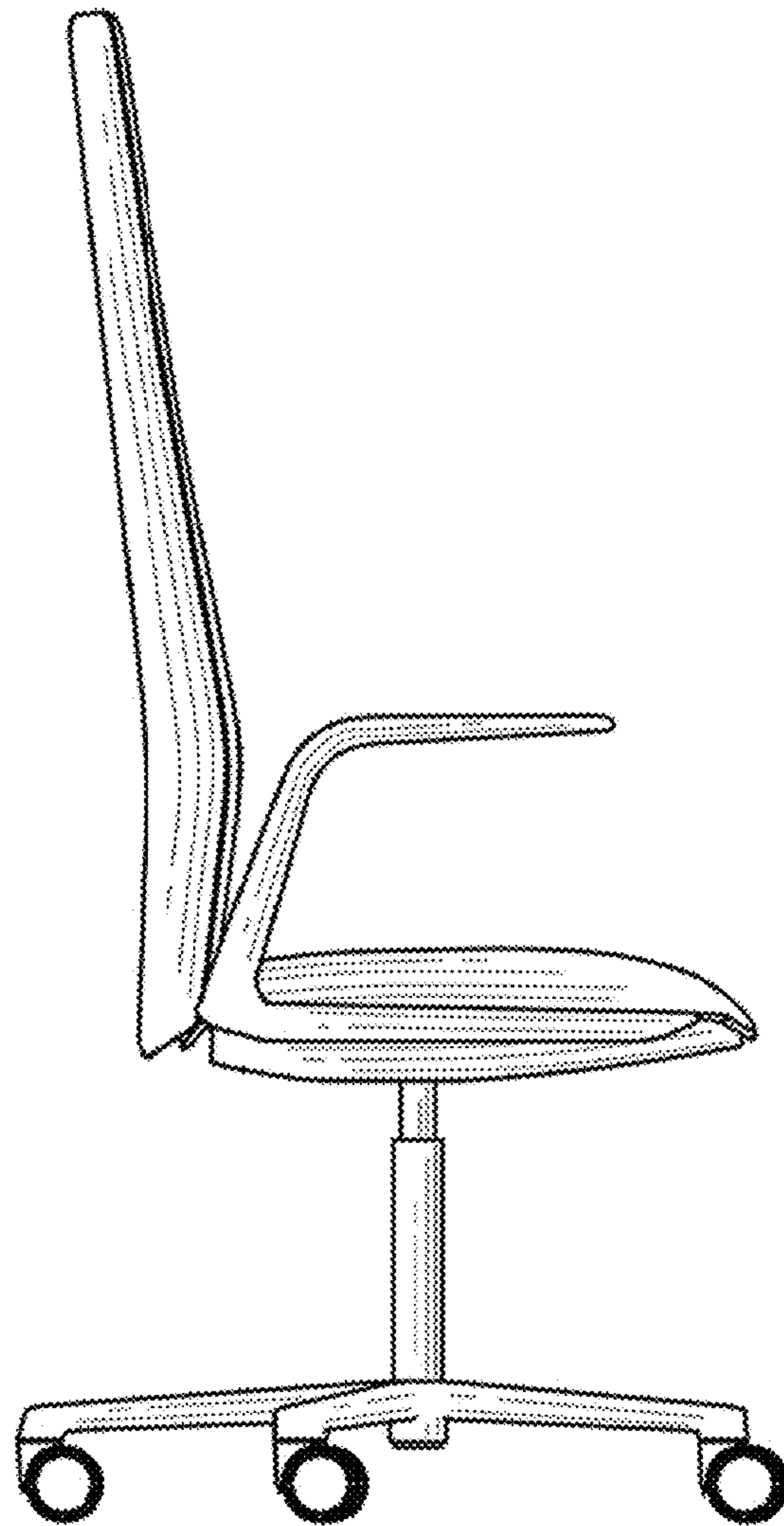


FIG. 6

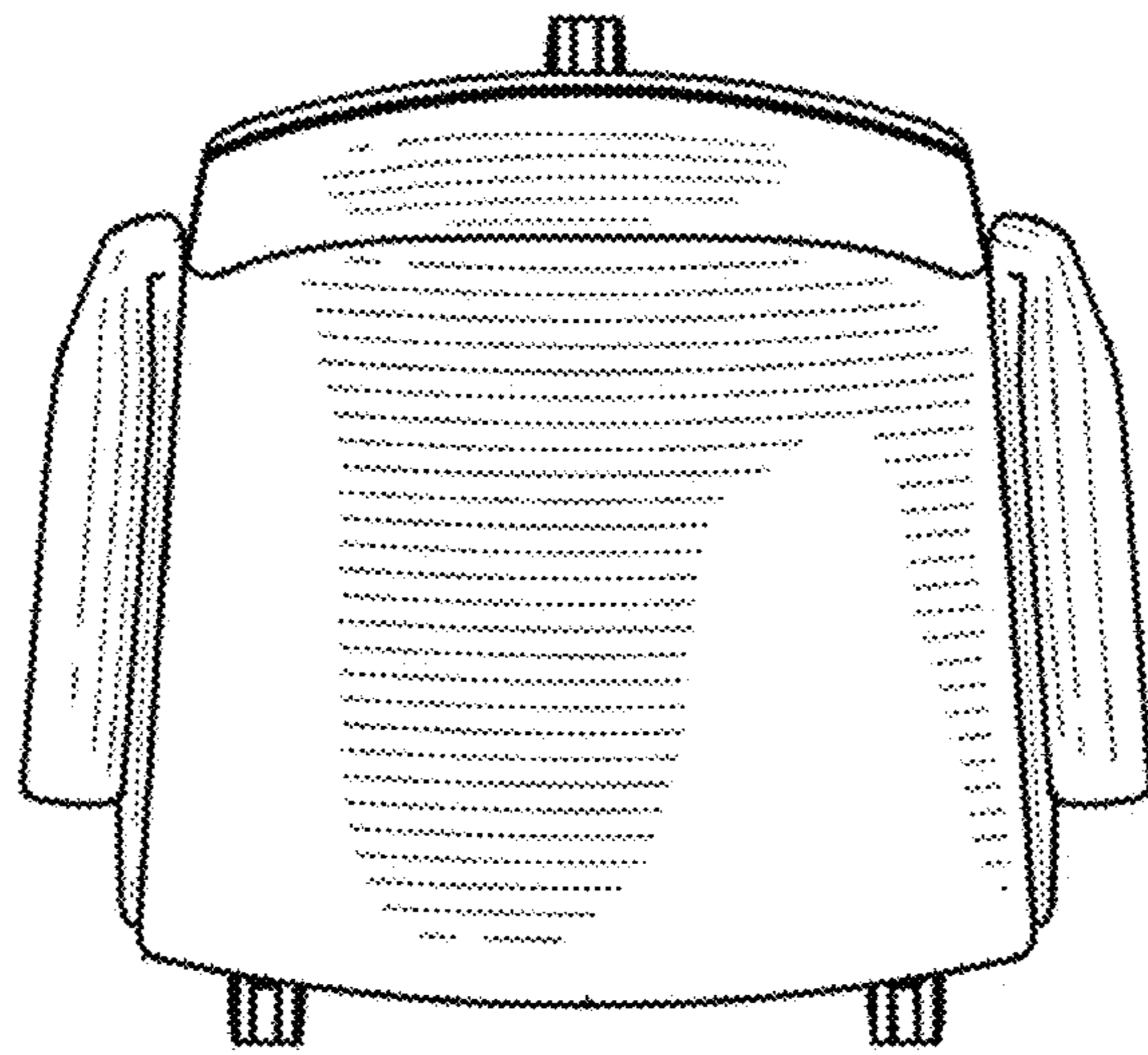


FIG. 7

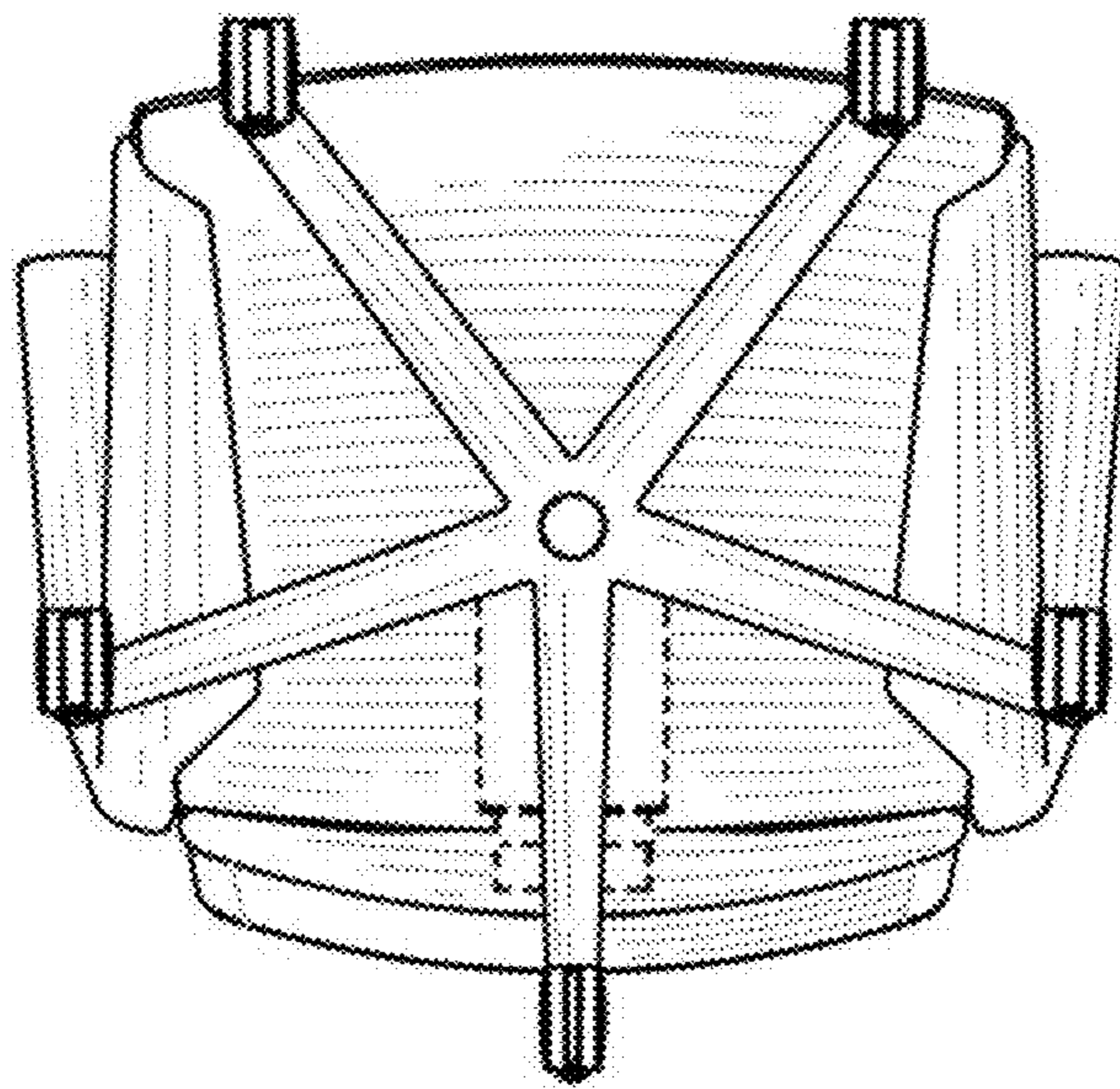


FIG. 8