



US00D767293S

(12) **United States Design Patent**
Hasegawa et al.

(10) **Patent No.:** **US D767,293 S**

(45) **Date of Patent:** **** Sep. 27, 2016**

(54) **AIRCRAFT SEAT**

(71) Applicant: **RECARO Aircraft Seating GmbH & Co. KG**, Schwabebisch Hall (DE)

(72) Inventors: **Satoshi Hasegawa**, Heilbronn (DE);
Christopher Chilcott, Schwabebisch Hall (DE); **Antje Schmidt**, Schwabebisch Hall (DE); **Oliver Forgatsch**, Schwabebisch Hall (DE)

(73) Assignee: **RECARO Aircraft Seating GmbH & Co. KG**, Schwabebisch Hill (DE)

(**) Term: **15 Years**

(21) Appl. No.: **29/537,189**

(22) Filed: **Aug. 24, 2015**

(30) **Foreign Application Priority Data**

Feb. 25, 2015 (EM) 002640821-0001

(51) **LOC (10) Cl.** **06-01**

(52) **U.S. Cl.**
USPC **D6/356**

(58) **Field of Classification Search**

USPC D6/334, 335, 336, 338, 349, 355, 381,
D6/716, 716.1, 356; 297/118, 119, 135,
297/144, 232, 445.1, 448.1, 452.18, 156,
297/175, 216.1; 5/12.1, 12.2
CPC A47C 1/02; A47C 1/12; A47C 11/00;
A47C 17/00; A47C 17/02; A47C 4/52;
A47C 9/00

See application file for complete search history.

(56) **References Cited**

U.S. PATENT DOCUMENTS

D439,425 S * 3/2001 Park D6/356
D510,816 S * 10/2005 Lee D6/356

D558,993 S * 1/2008 Saint-Jalmes D6/356
D591,520 S * 5/2009 Orson D6/356
D598,665 S * 8/2009 Cloet D6/356
D598,666 S * 8/2009 Cloet D6/356
D641,982 S * 7/2011 Darbyshire D6/356
D661,116 S * 6/2012 Darbyshire D6/356
D695,033 S * 12/2013 Salzberger D6/356
D696,524 S * 12/2013 Ersan D6/356
D713,160 S * 9/2014 Roberts D6/356
D715,066 S * 10/2014 Nicholas D6/356
D741,075 S * 10/2015 Lawson D6/338
D741,609 S * 10/2015 Williams D6/338
2009/0146005 A1 * 6/2009 Bettell B64D 11/06
244/118.6

* cited by examiner

Primary Examiner — Sandra Snapp

(74) *Attorney, Agent, or Firm* — Posz Law Group, PLC

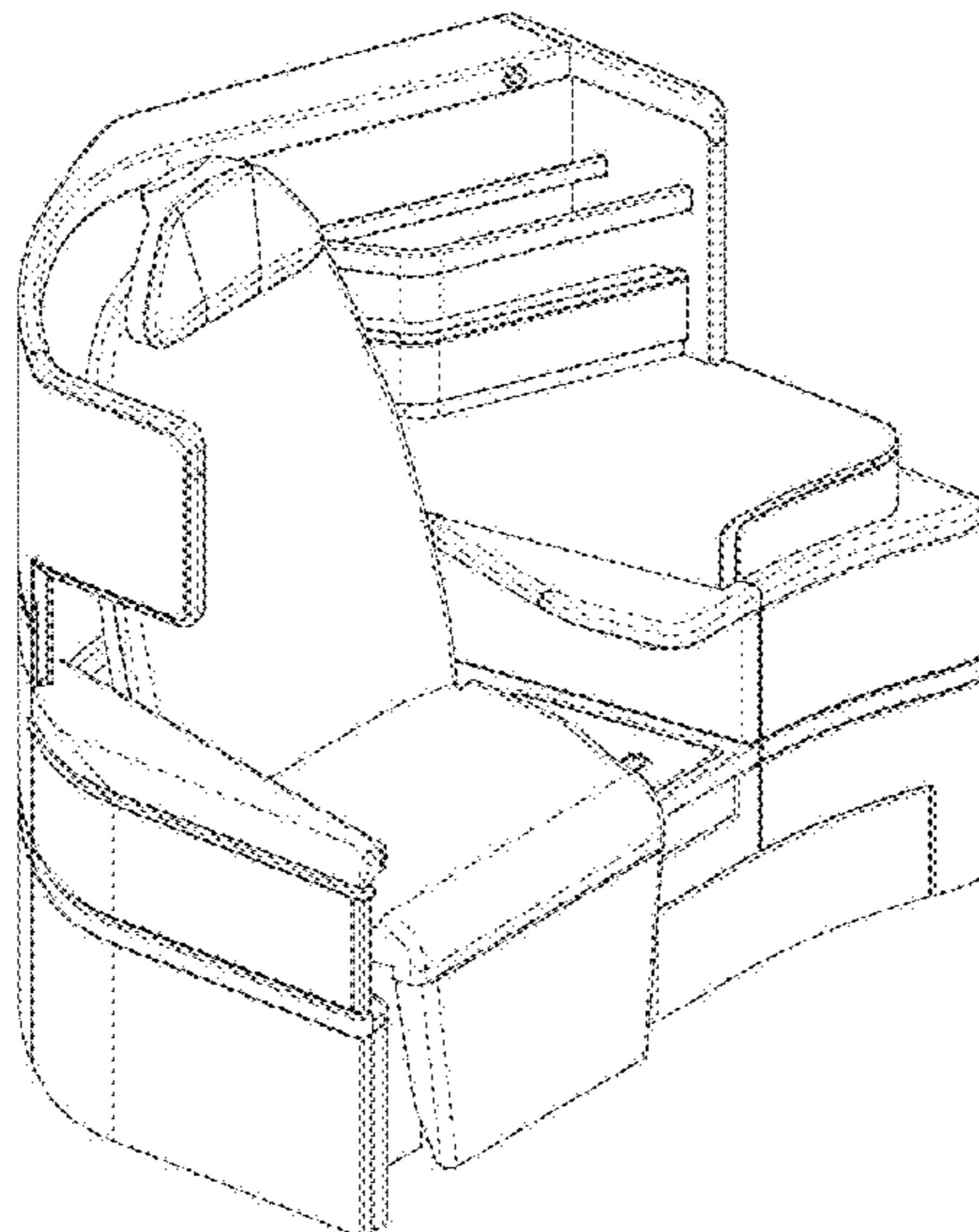
(57) **CLAIM**

The ornamental design for an aircraft seat, as shown.

DESCRIPTION

FIG. 1 is a left side view of an aircraft seat showing my new design;
FIG. 2 is a perspective view of top, front and right side thereof;
FIG. 3 is a perspective view of top, rear and left side thereof;
FIG. 4 is a top plan view thereof;
FIG. 5 is a perspective view of front, top and left side thereof;
FIG. 6 is a perspective view of rear, top and right side thereof; and,
FIG. 7 is another perspective view of front, top and right side thereof.

1 Claim, 7 Drawing Sheets



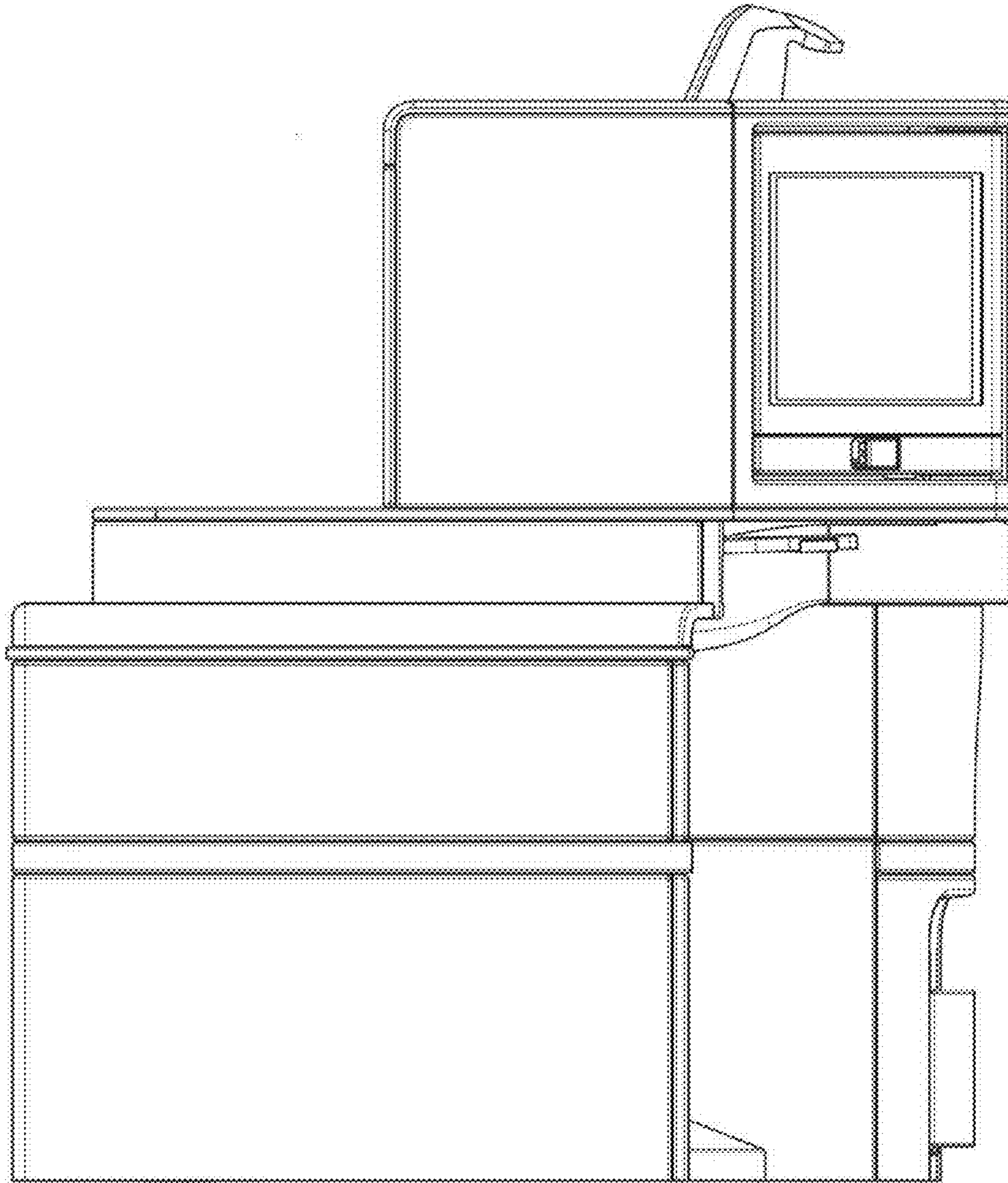


FIG. 1

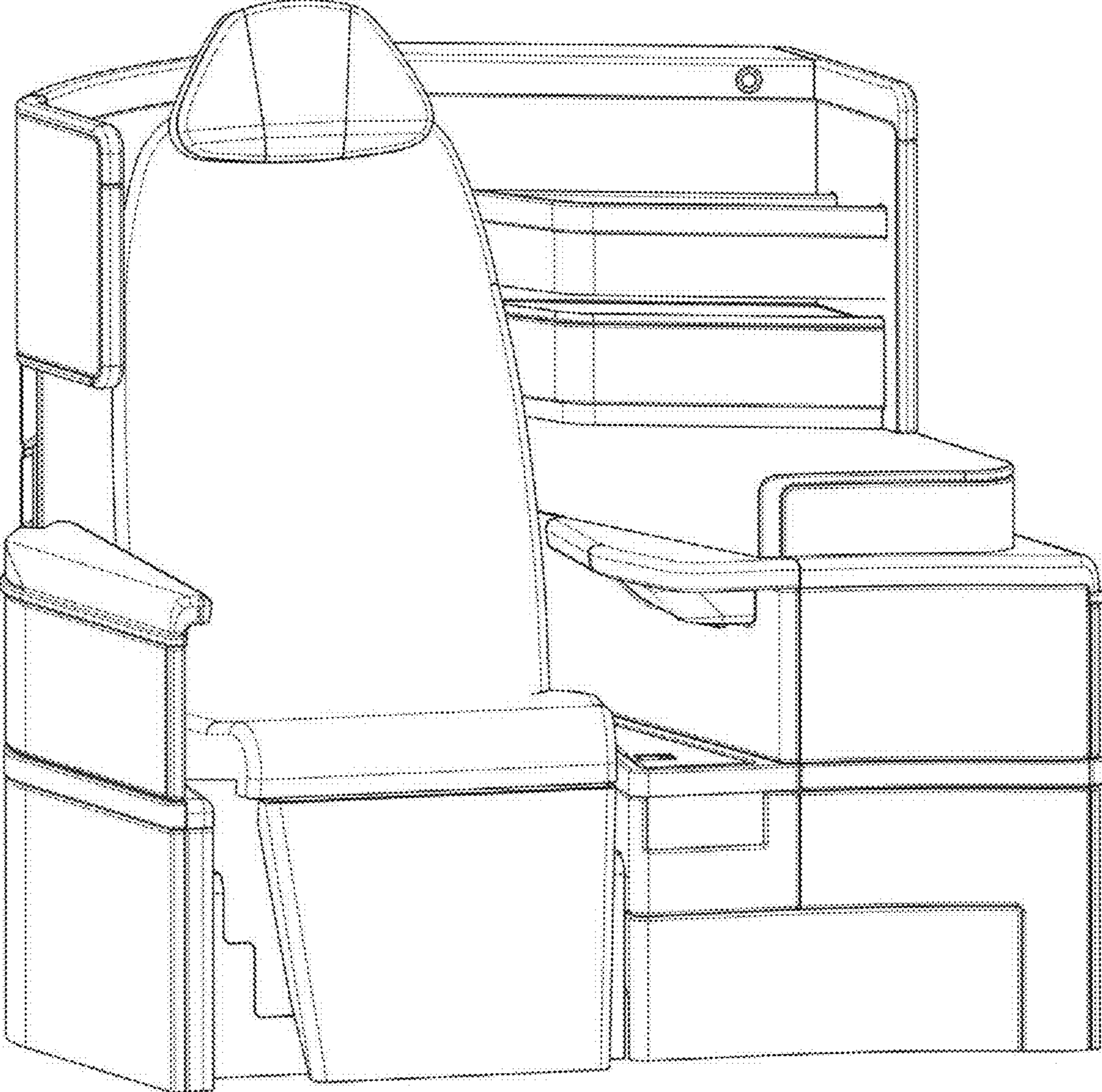


FIG. 2

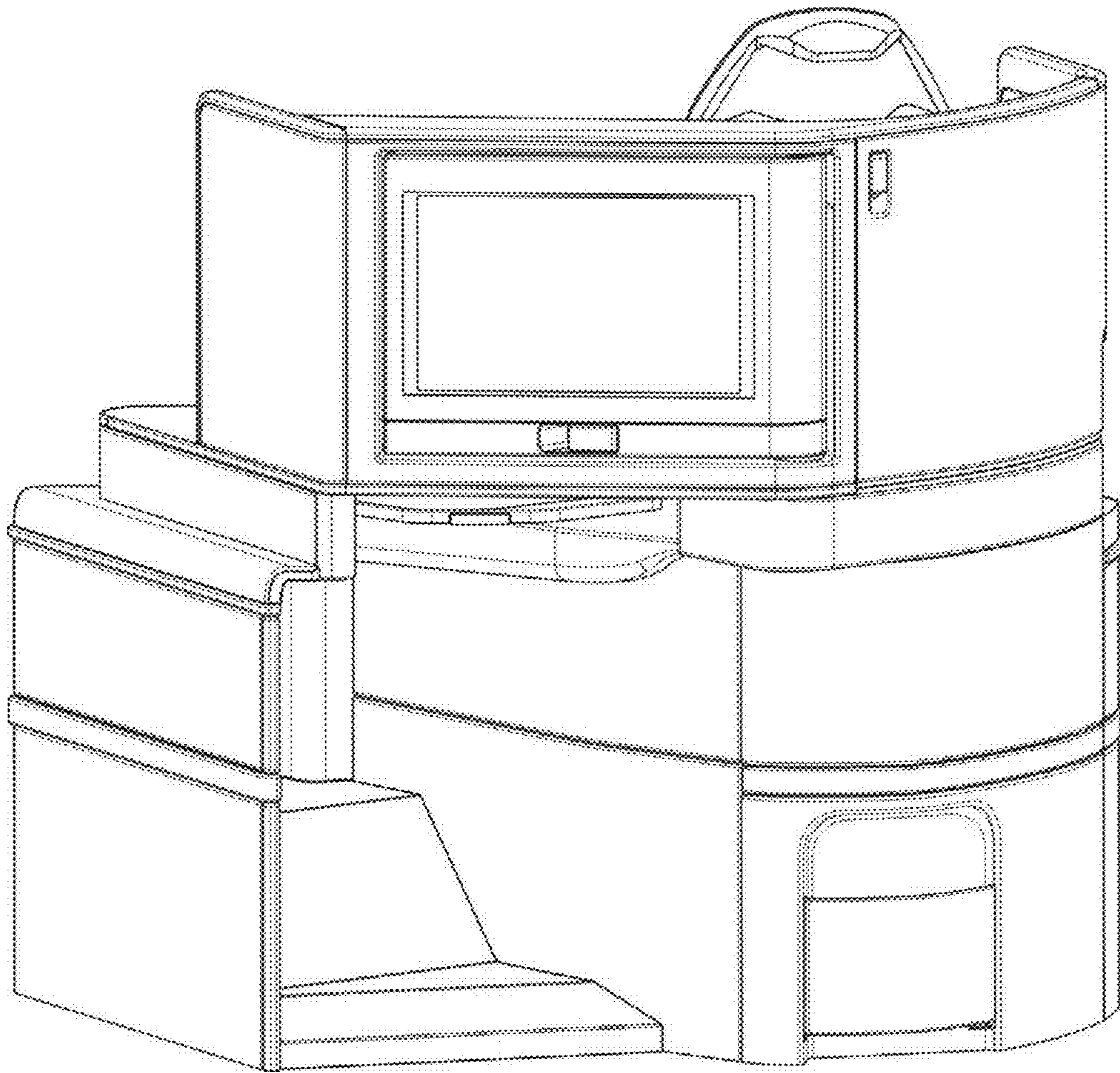


FIG. 3

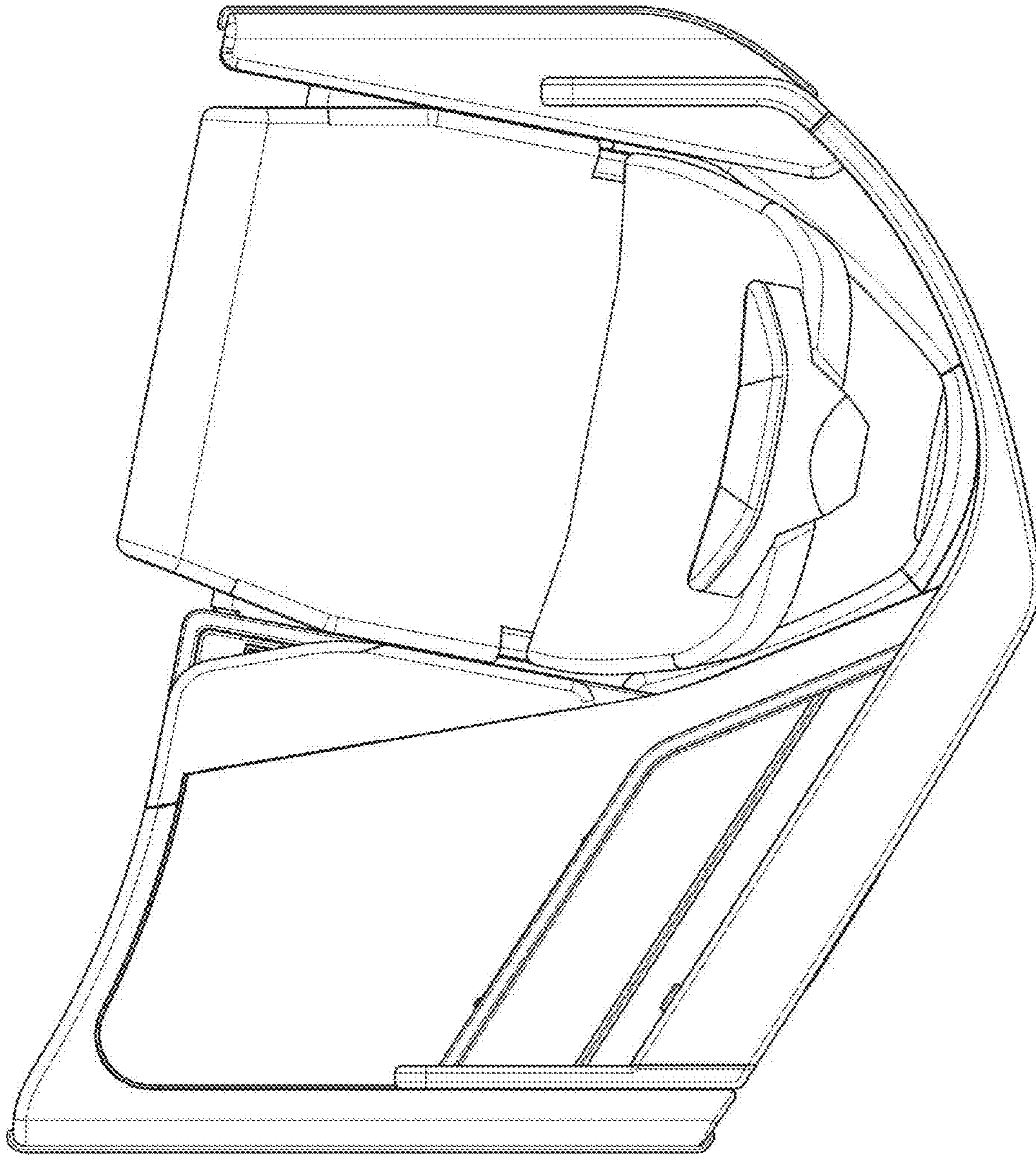


FIG. 4

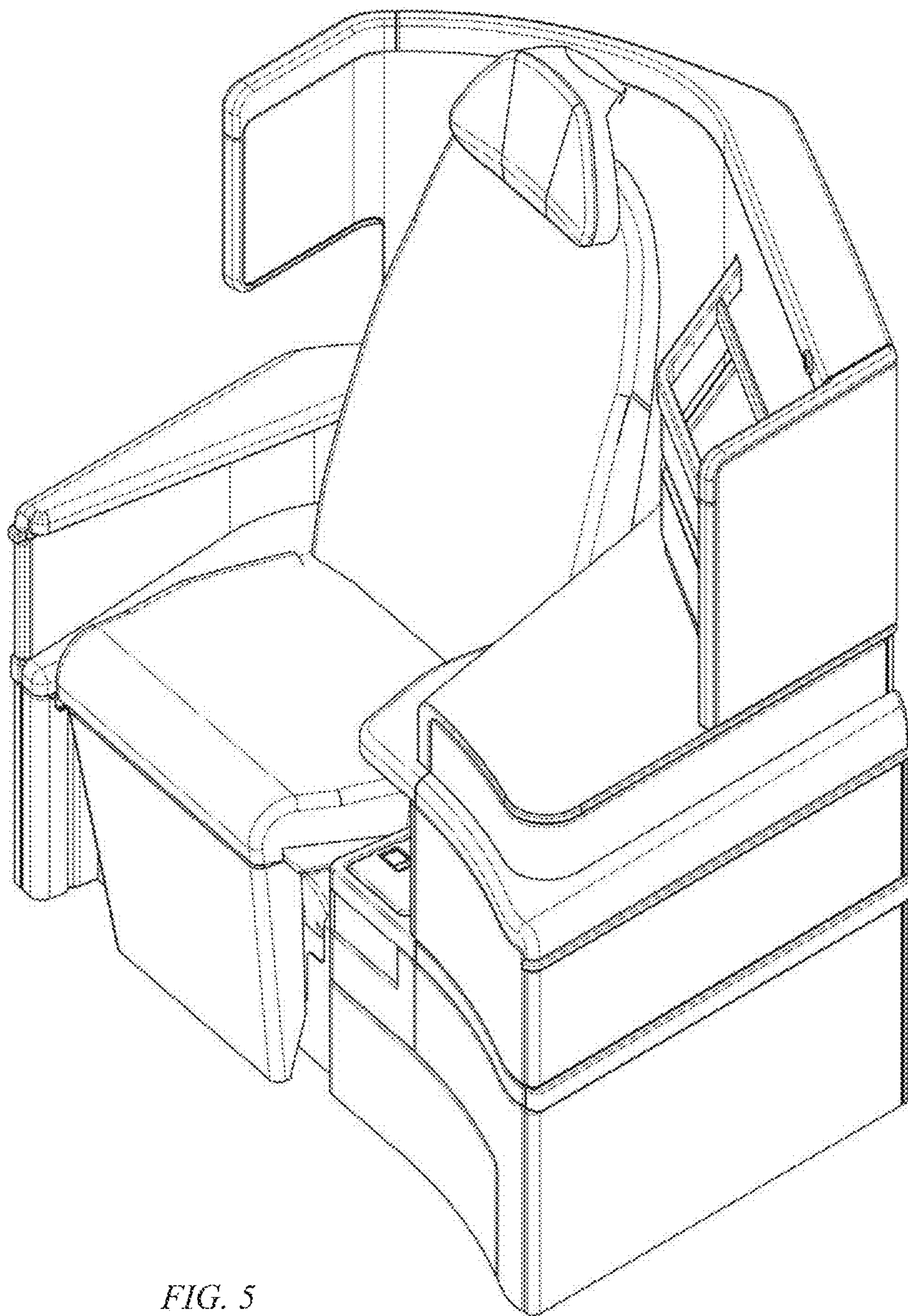


FIG. 5

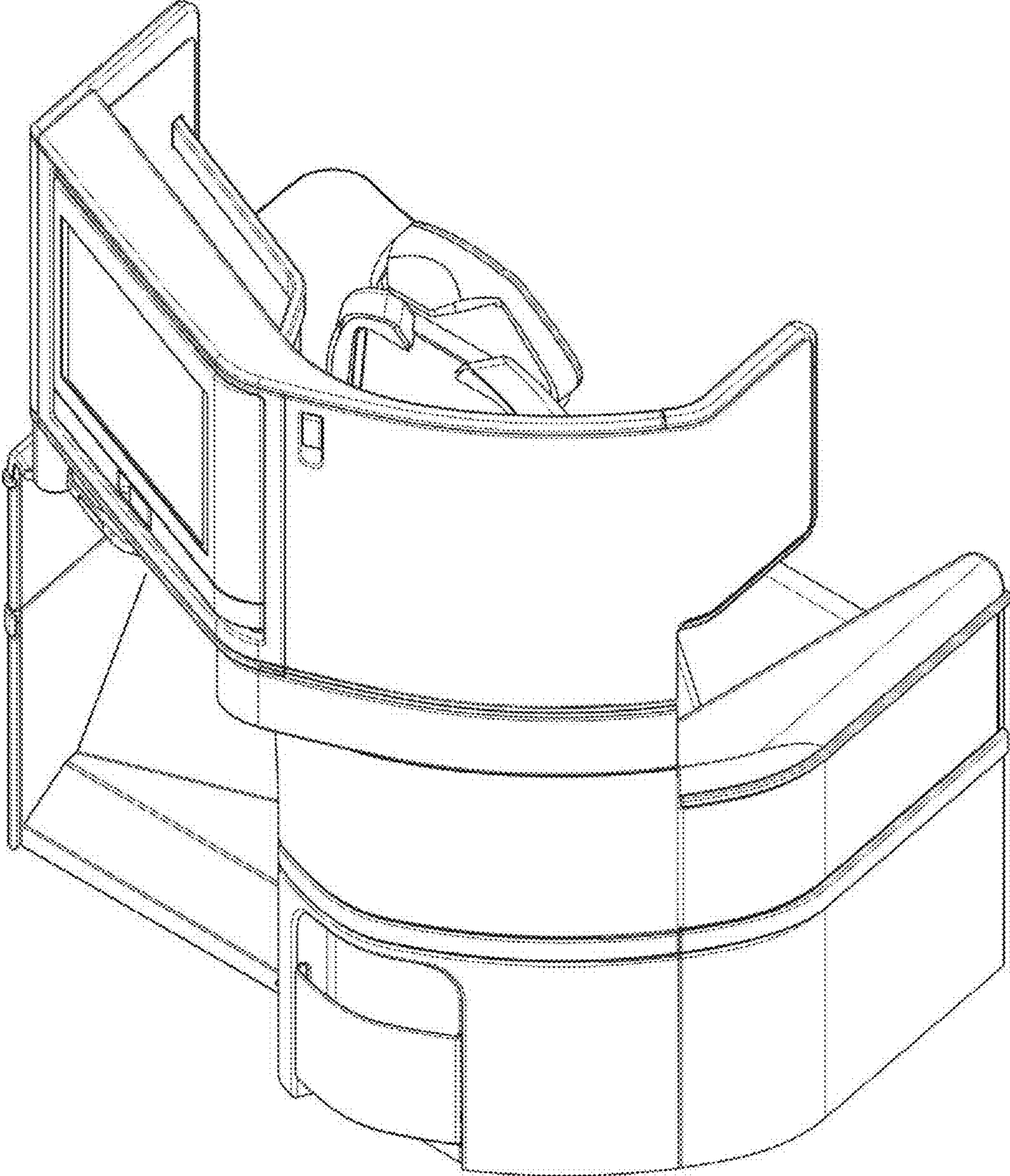


FIG. 6

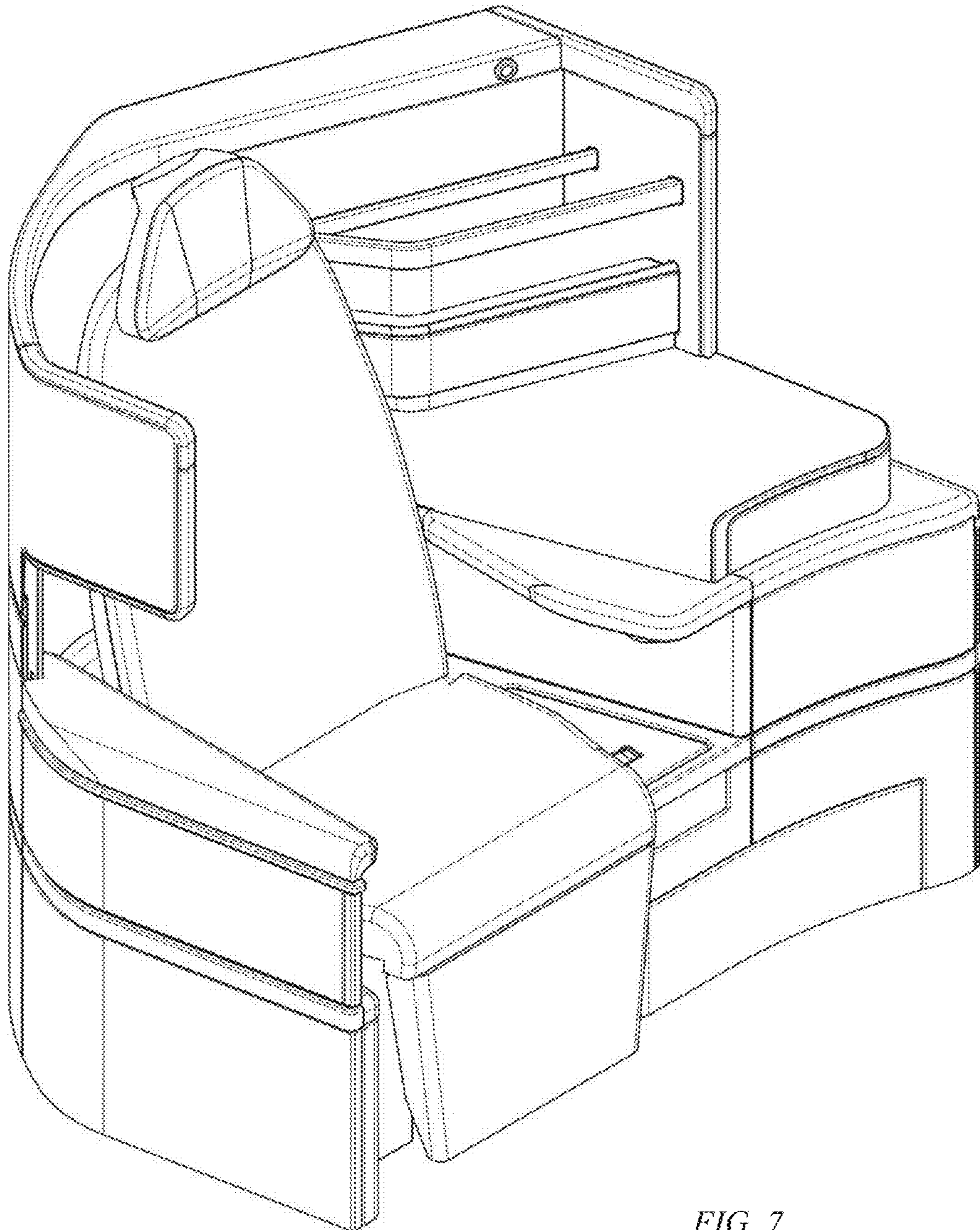


FIG. 7