



US00D767291S

(12) **United States Design Patent** (10) **Patent No.:** **US D767,291 S**
Edwards et al. (45) **Date of Patent:** **** Sep. 27, 2016**

(54) **ADJUSTABLE TOILET FOOTREST ASSEMBLY**

(71) Applicants: **Robert Edwards**, St. George, UT (US); **William T. Edwards**, St. George, UT (US); **Judy M. Edwards**, St. George, UT (US)

(72) Inventors: **Robert Edwards**, St. George, UT (US); **William T. Edwards**, St. George, UT (US); **Judy M. Edwards**, St. George, UT (US)

(**) Term: **15 Years**

(21) Appl. No.: **29/539,985**

(22) Filed: **Sep. 18, 2015**

(51) **LOC (10) Cl.** **06-01**

(52) **U.S. Cl.**
USPC **D6/353**

(58) **Field of Classification Search**
USPC D6/336, 338, 341, 349, 350, 352, 353, D6/675, 675.3, 681, 691, 691.1, 691.4, D6/692, 692.3, 694, 694.2, 708, 708.17, D6/708.21, 707.2, 716, 716.1; D25/63, 65, D25/68; D23/296, 309
CPC A47C 9/00; A47C 9/02; A47C 9/002; A47C 9/007; A47C 9/025; A47C 9/10; A47C 11/00; A47C 12/00; A47C 13/00; A47C 5/02; A47C 5/04; A47C 5/043; A47C 7/00-7/006; A47C 7/02; A47C 16/02-16/04; A47B 3/00; A47B 3/02; A47B 3/04; A47B 3/12

See application file for complete search history.

(56) **References Cited**

U.S. PATENT DOCUMENTS

2,023,901 A * 12/1935 Rhodes A47K 17/028
4/254
D192,218 S * 2/1962 Forsman et al. D6/349
D268,796 S * 5/1983 Kola D6/349
D297,789 S * 9/1988 Stepien D6/349
D398,678 S * 9/1998 Terry D23/309

D508,556 S * 8/2005 Palazzolo D23/309
D629,222 S * 12/2010 Kay D6/349
D629,627 S * 12/2010 Mylet D6/349
D652,222 S * 1/2012 Edwards D6/349
D677,478 S * 3/2013 Edwards D6/349
D698,163 S * 1/2014 Edwards D6/349
D738,126 S * 9/2015 Edwards D6/349
D749,330 S * 2/2016 Jahns D6/349
9,307,879 B2 * 4/2016 Fagre A47K 17/028

* cited by examiner

Primary Examiner — Vy Koenig

(74) *Attorney, Agent, or Firm* — Gurr & Brande, PLLC; Robert A. Gurr

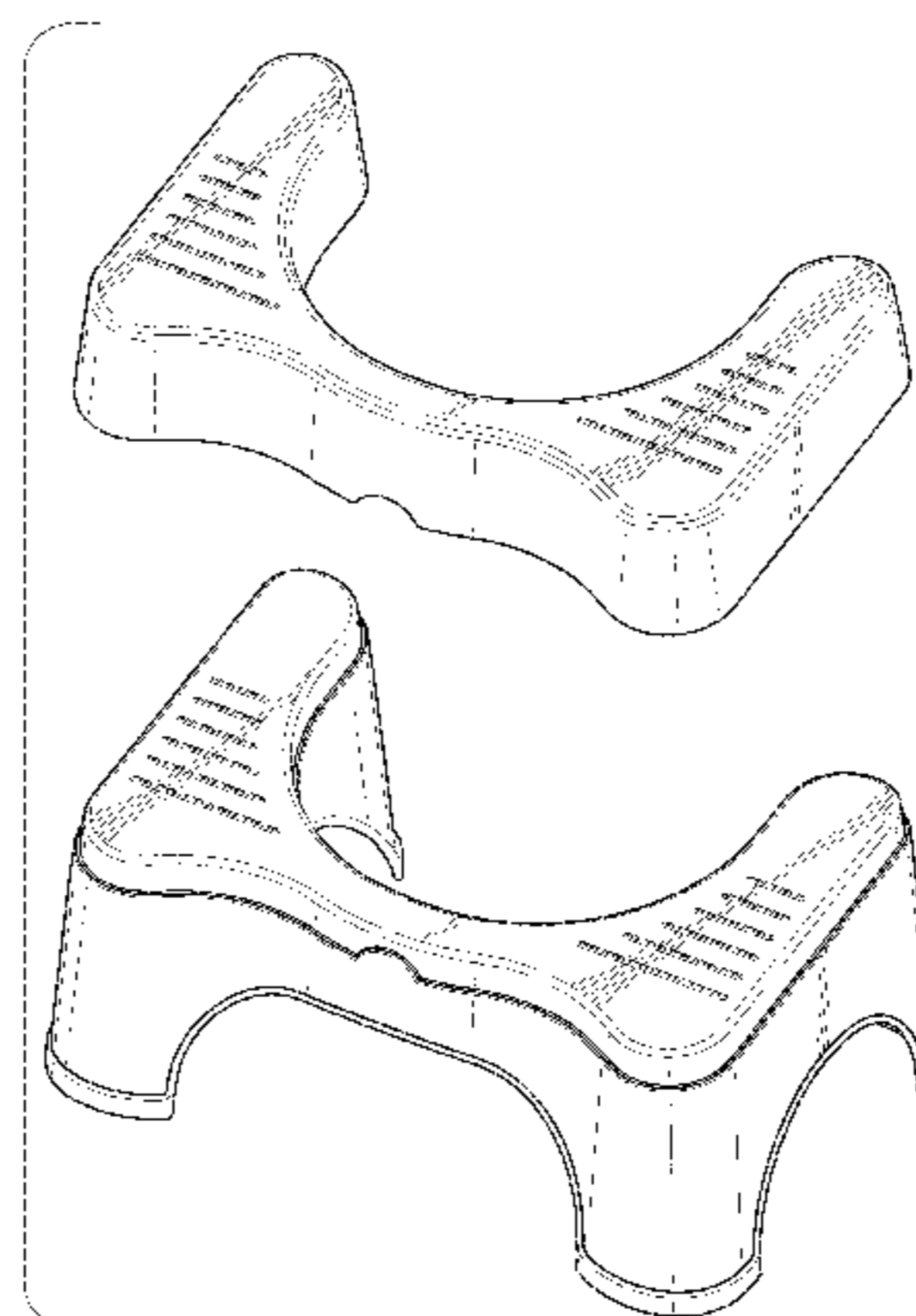
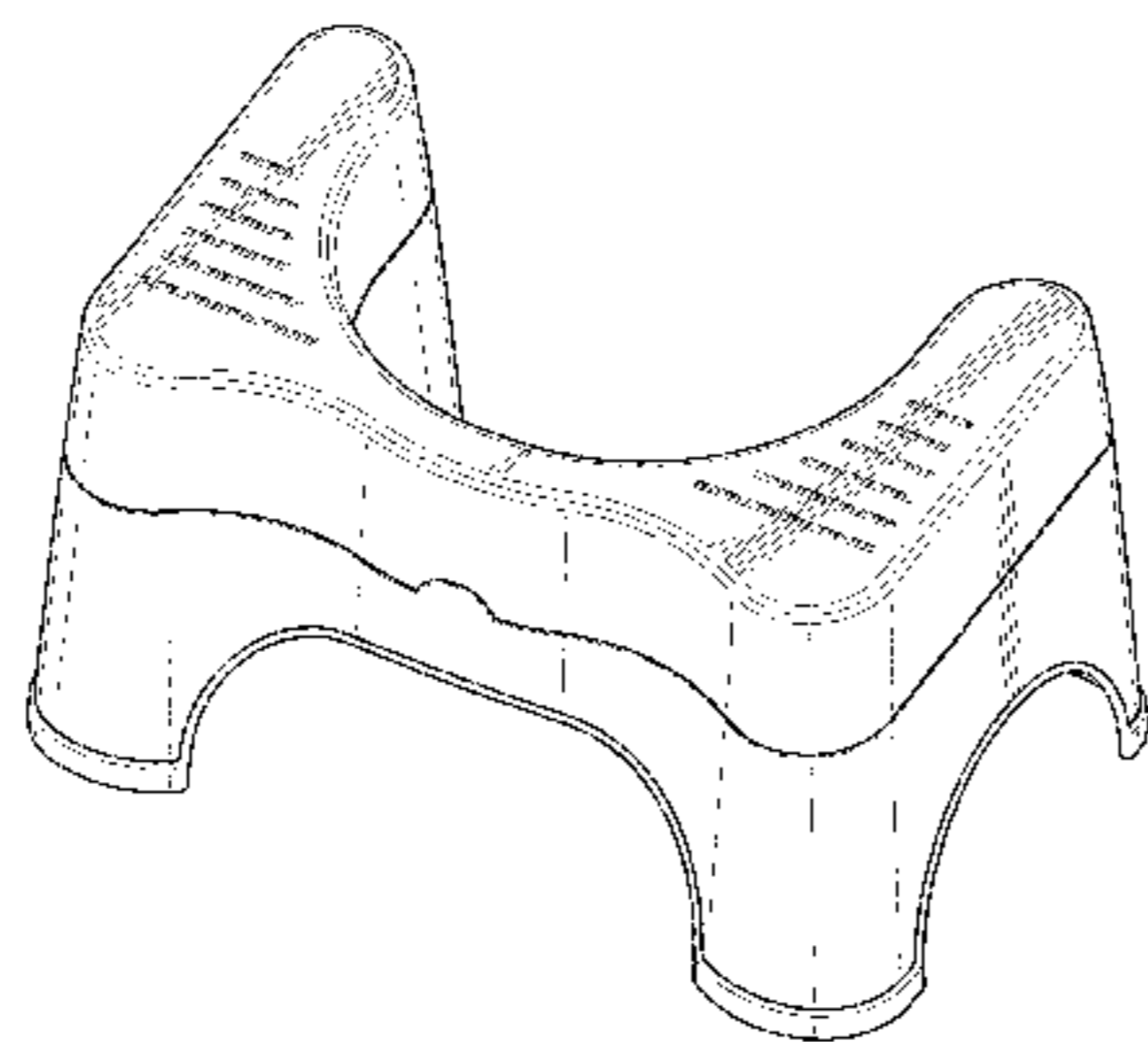
(57) **CLAIM**

The ornamental design for an adjustable toilet footrest assembly, as shown and described.

DESCRIPTION

FIG. 1 is a front perspective view of the adjustable toilet footrest assembly showing our new design in an assembled configuration;
FIG. 2 is a front perspective view of the adjustable toilet footrest disassembled;
FIG. 3 is a front elevation view of the adjustable toilet footrest assembled;
FIG. 4 is a top plan view of the adjustable toilet footrest assembled;
FIG. 5 is a back elevation view of the adjustable toilet footrest assembled;
FIG. 6 is a side elevation view of the adjustable toilet footrest assembled;
FIG. 7 is a bottom plan view of the adjustable toilet footrest;
FIG. 8 is a front elevation view of the upper portion of the assembly of the adjustable toilet footrest assembly, shown separately for ease of illustration;
FIG. 9 is a top plan view thereof;
FIG. 10 is a back view thereof;
FIG. 11 is a side elevation view thereof; and,
FIG. 12 is a bottom view thereof.
The broken lines depict environmental matter and form no part of the claimed design.

1 Claim, 8 Drawing Sheets



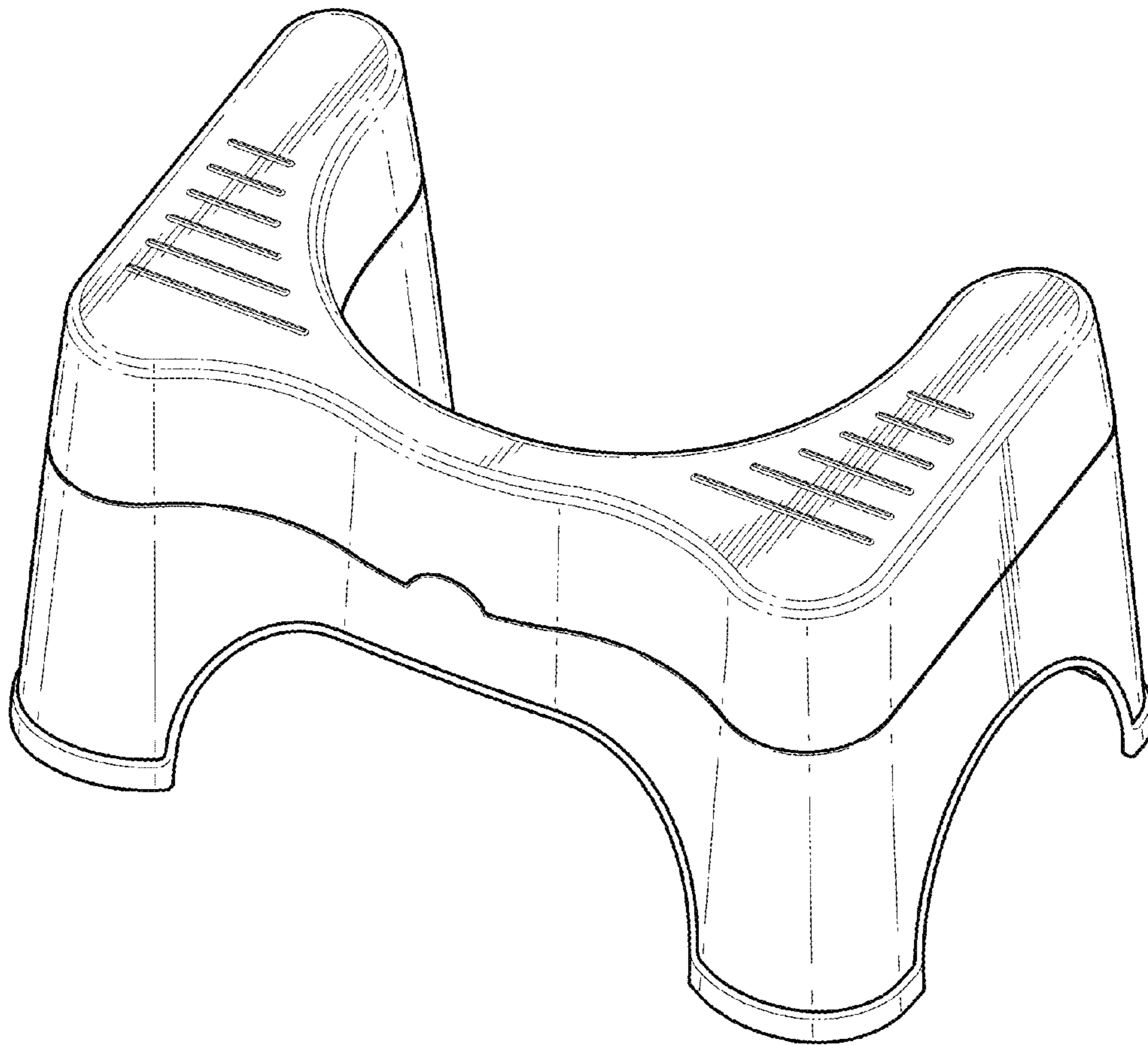


FIG. 1

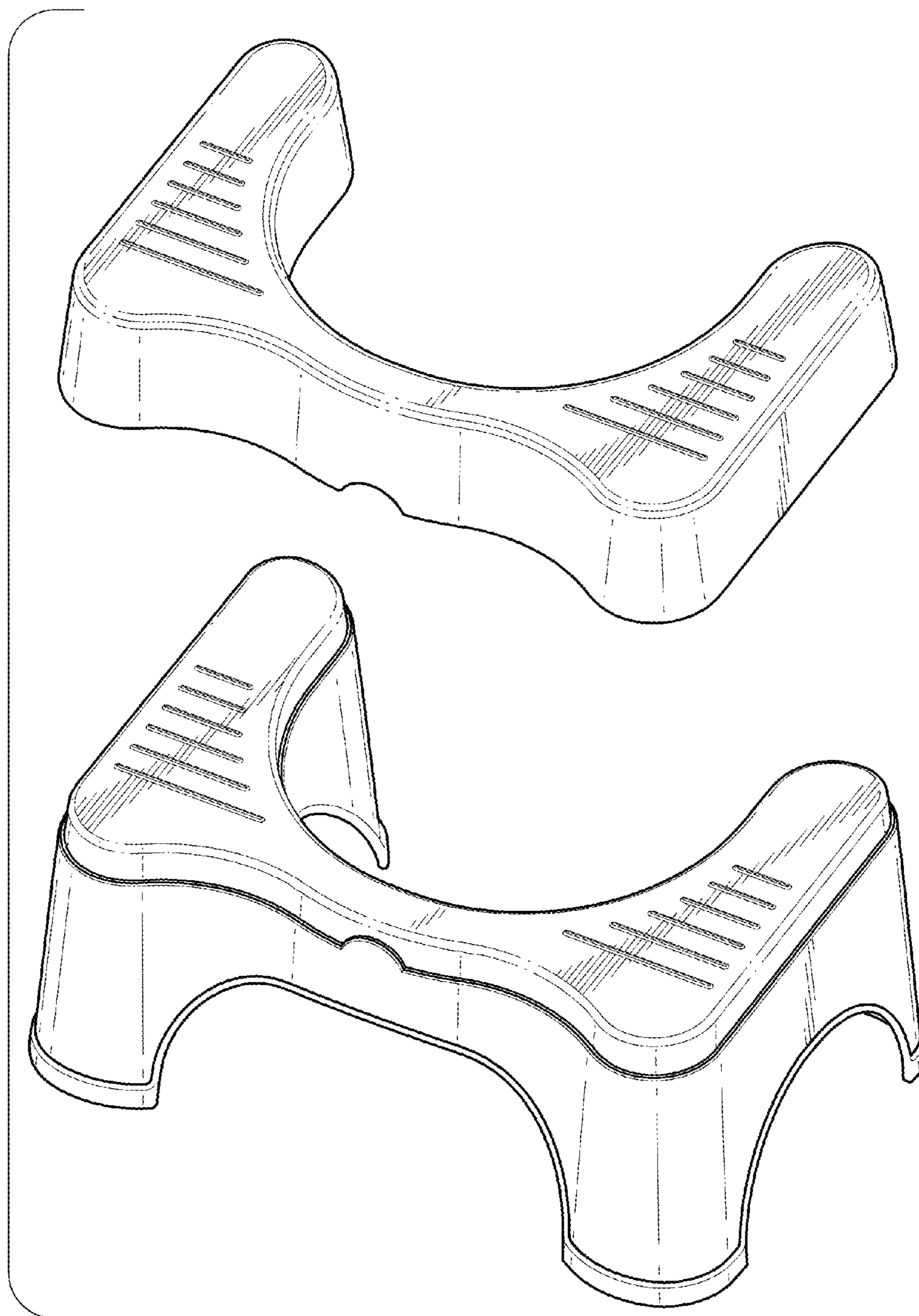


FIG. 2

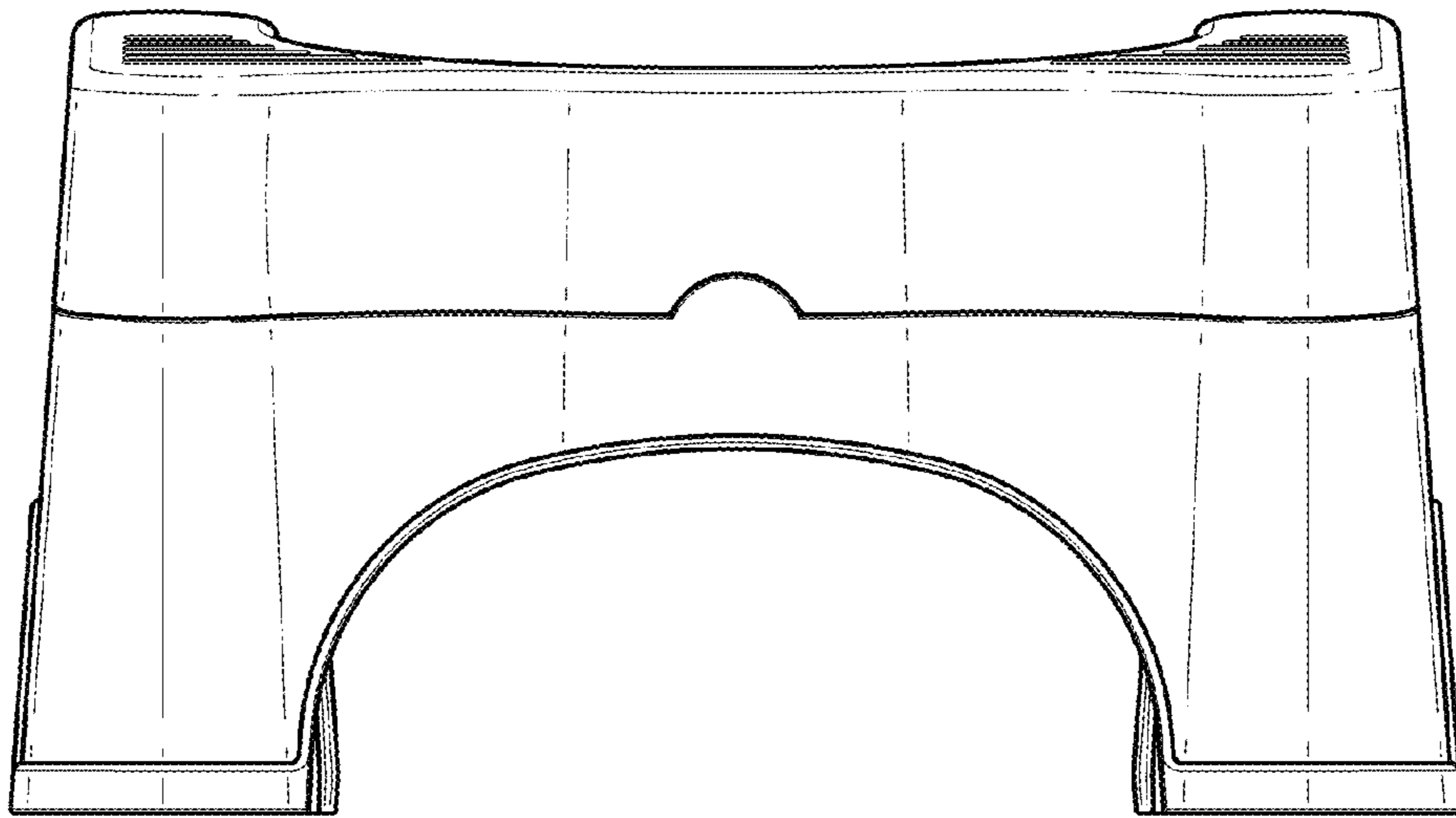


FIG. 3

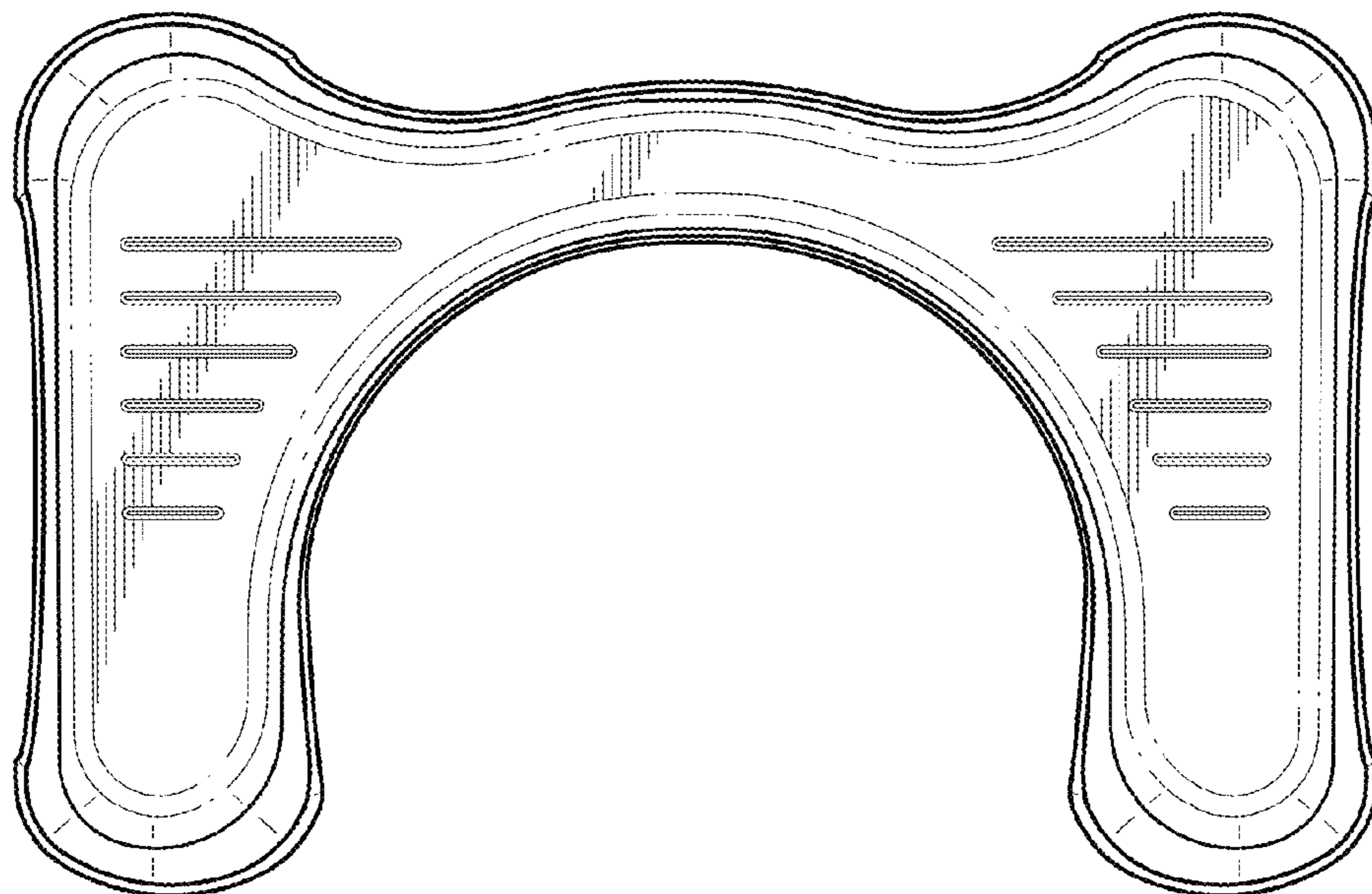


FIG. 4

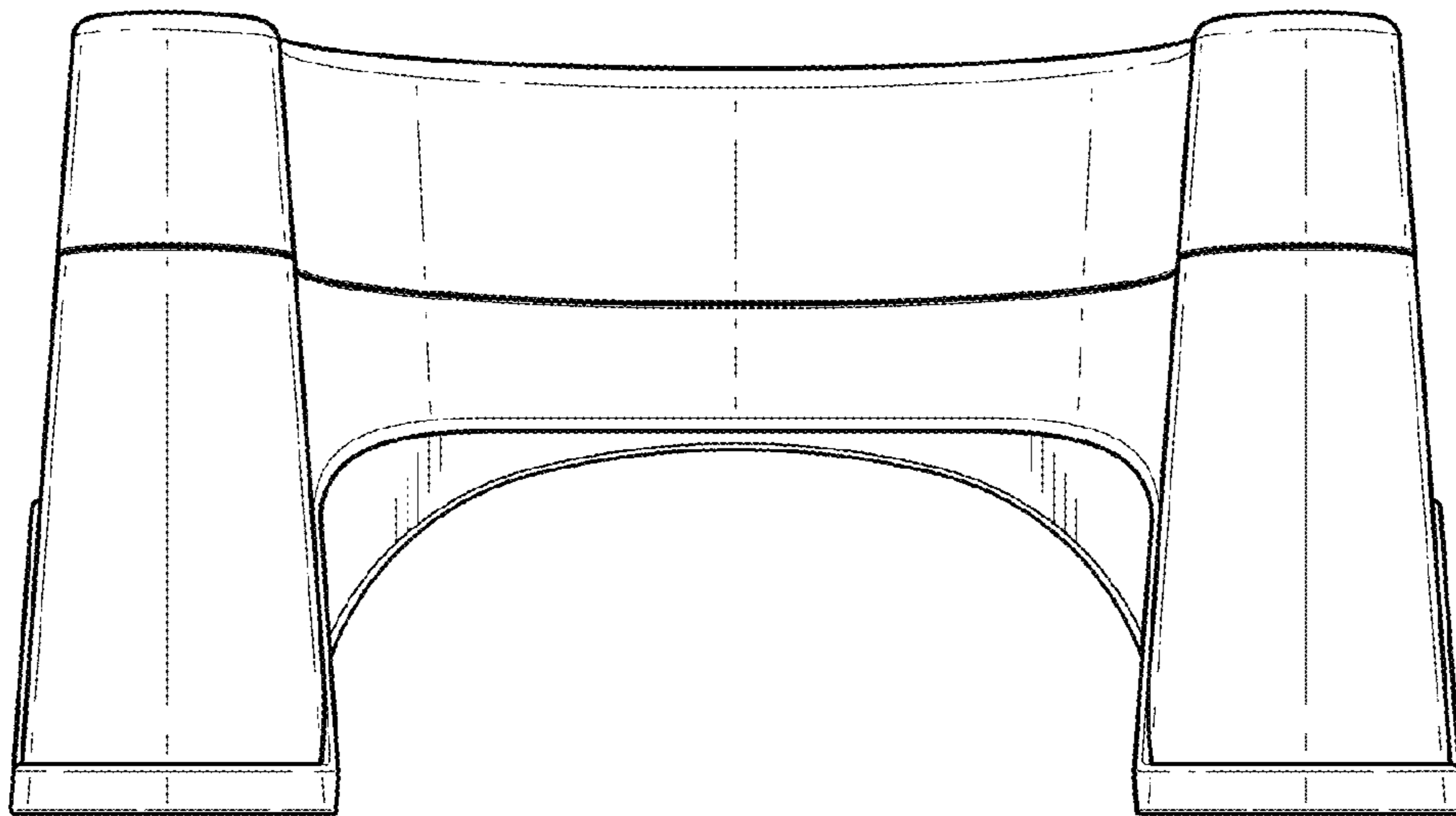


FIG. 5

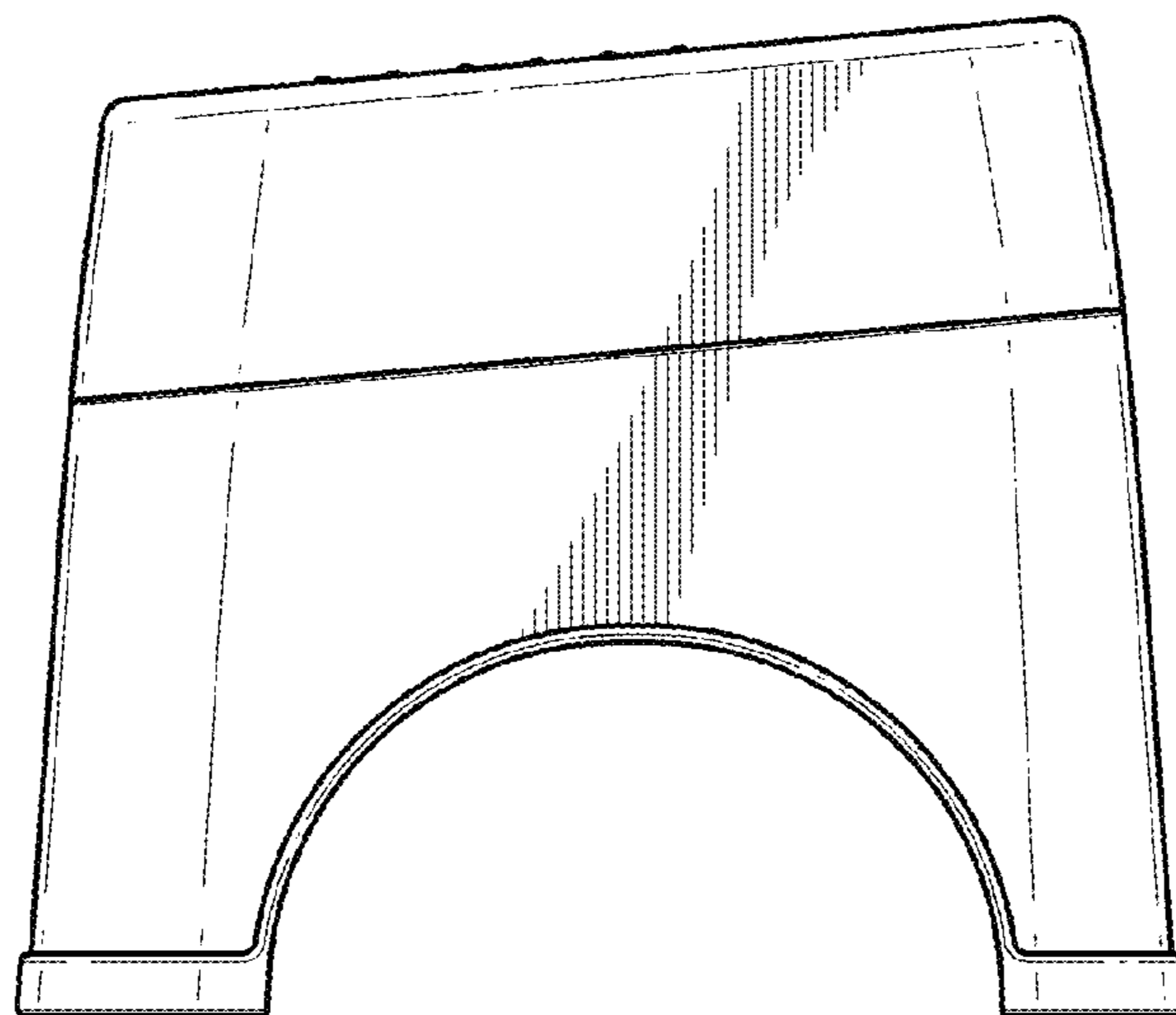


FIG. 6

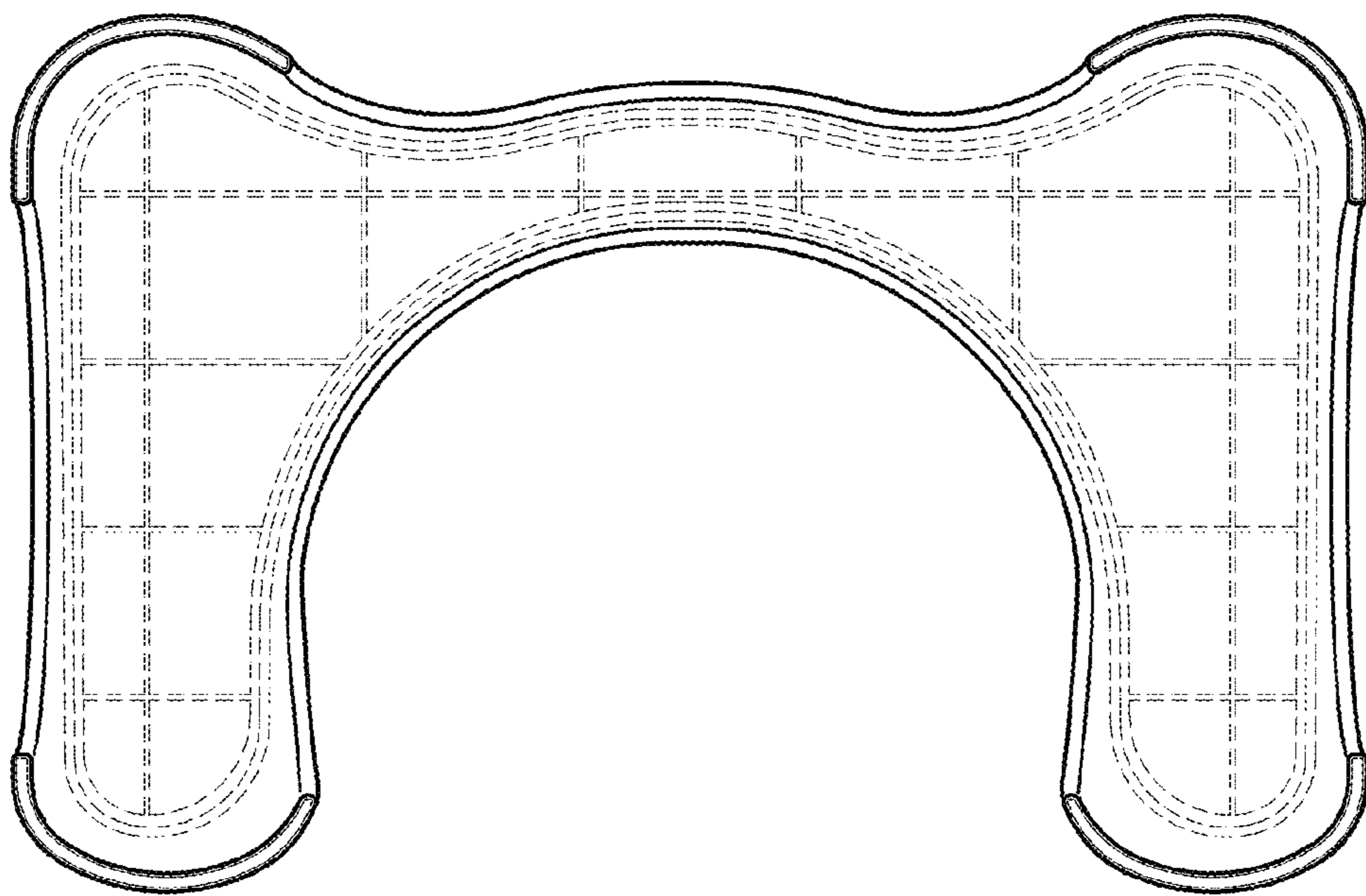


FIG. 7

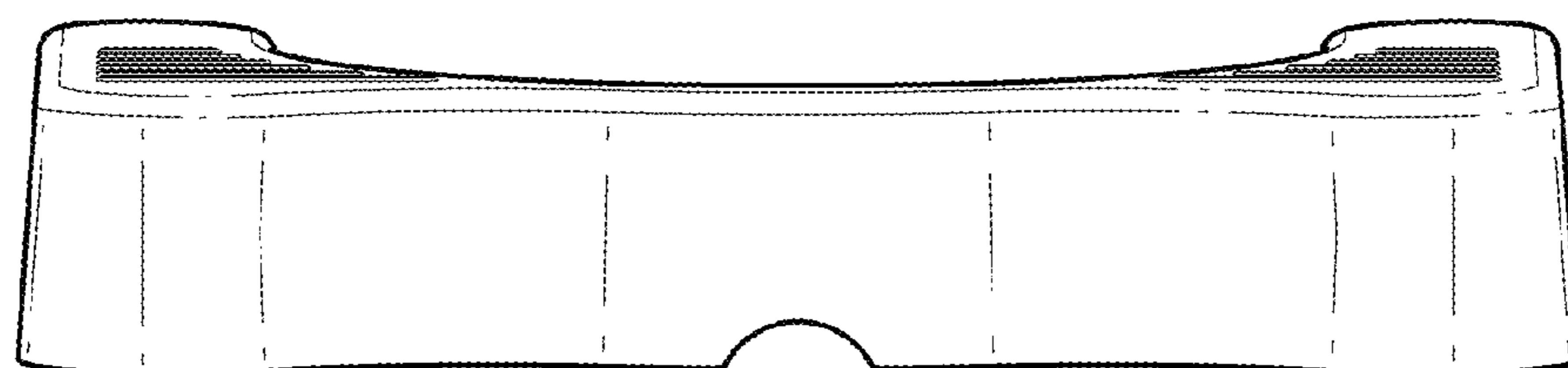


FIG. 8

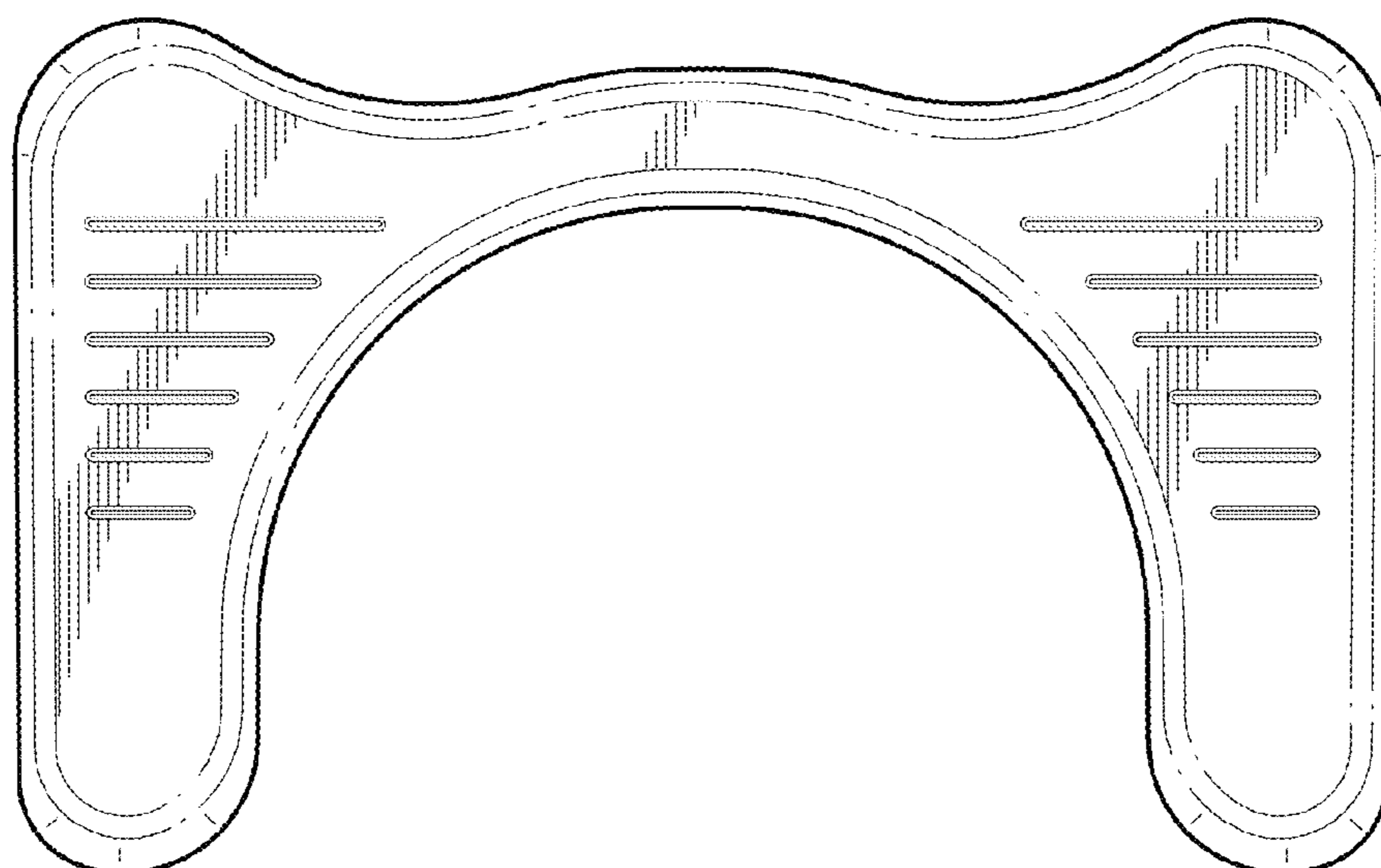


FIG. 9

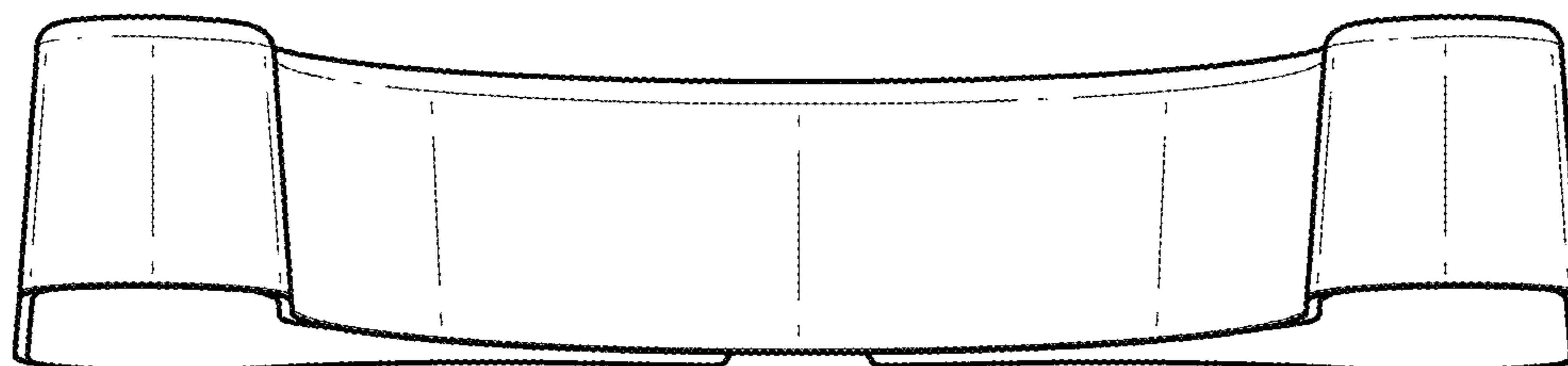


FIG. 10

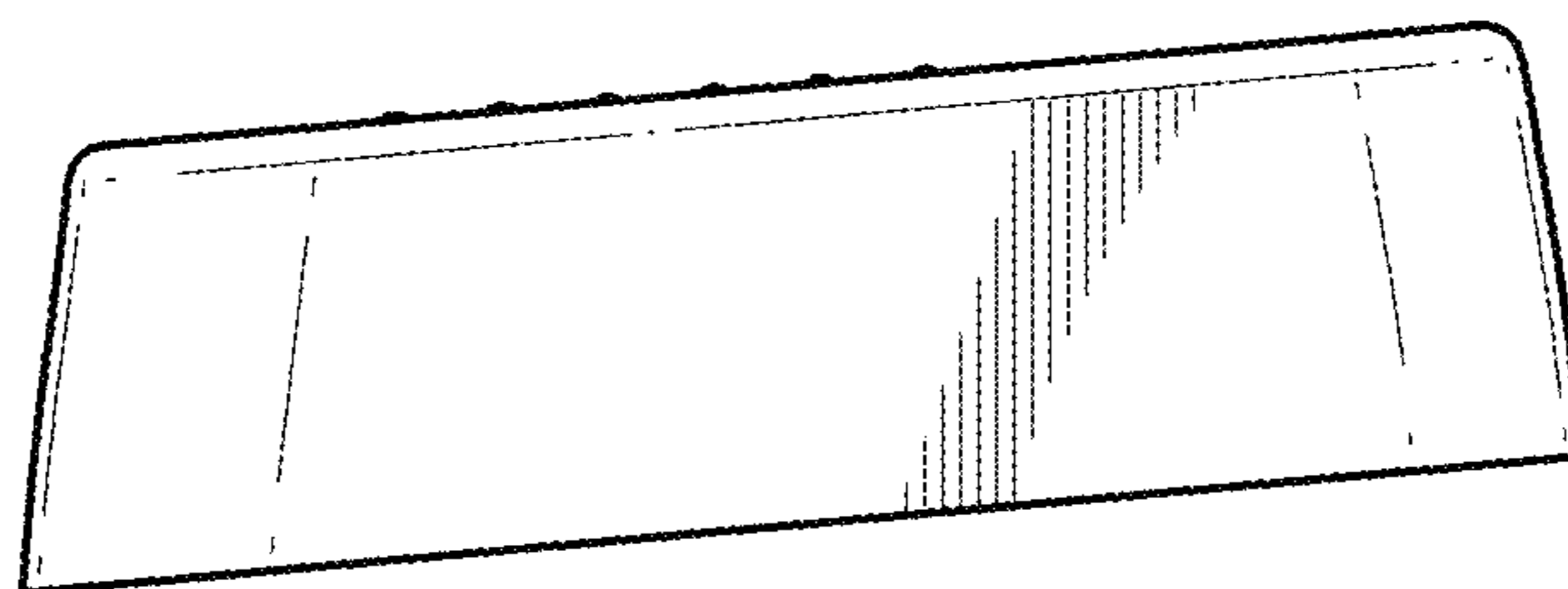


FIG. 11

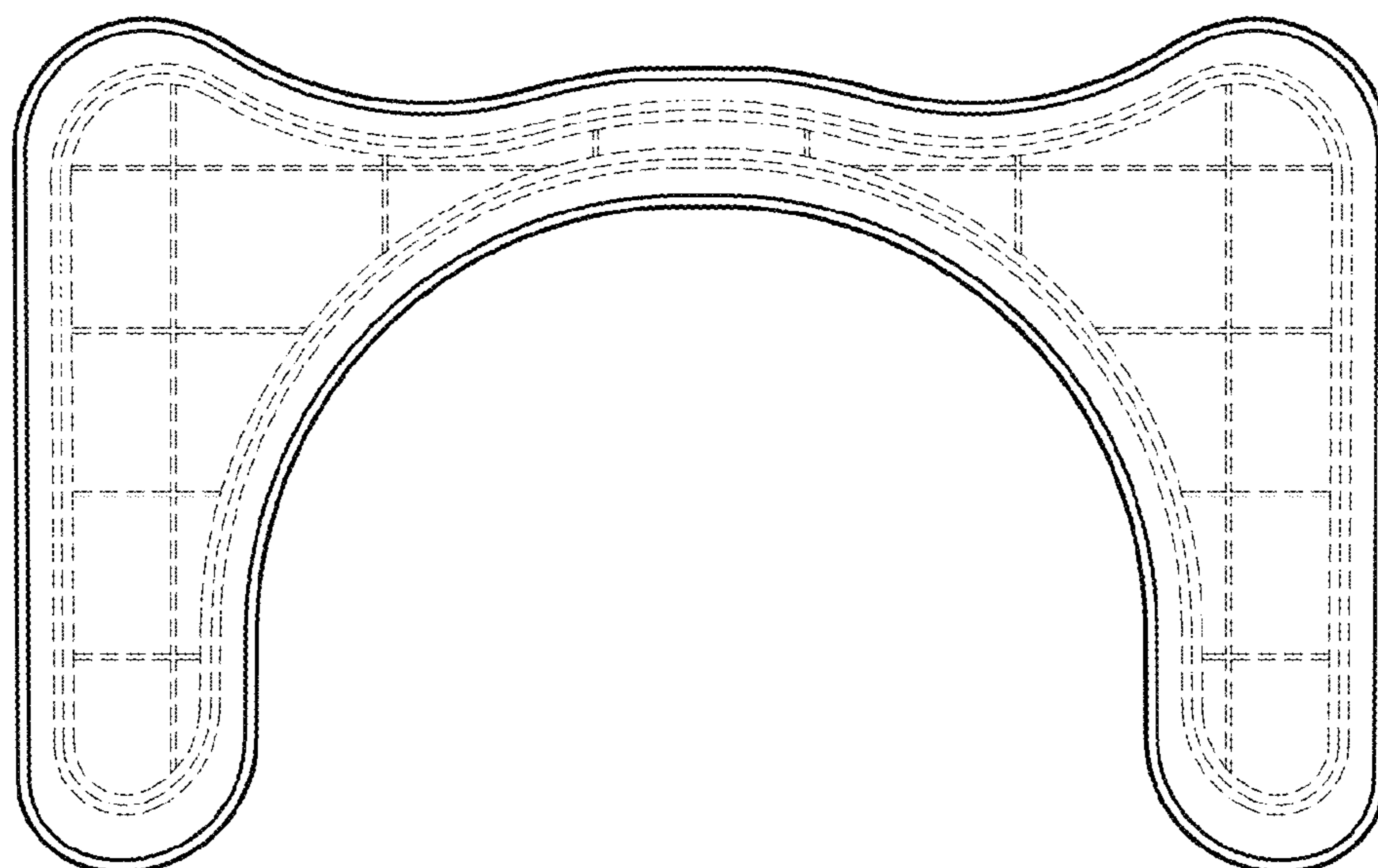


FIG. 12