

US00D767289S

(12) **United States Design Patent** (10) **Patent No.:** **US D767,289 S**
Taylor (45) **Date of Patent:** **** Sep. 27, 2016**

(54) **CLOTHES HANGER**
(71) Applicant: **The Janger Limited**, London (GB)
(72) Inventor: **Guy Taylor**, London (GB)
(73) Assignee: **The Janger Limited**, London (GB)
(**) Term: **14 Years**
(21) Appl. No.: **29/517,202**
(22) Filed: **Feb. 11, 2015**

(30) **Foreign Application Priority Data**
Aug. 11, 2014 (EM) 002517748-0001
Aug. 11, 2014 (EM) 002517748-0002
Aug. 11, 2014 (EM) 002518043-0001
Aug. 13, 2014 (EM) 002519330-0001

(51) **LOC (10) Cl.** **06-08**
(52) **U.S. Cl.**
USPC **D6/323**

(58) **Field of Classification Search**
USPC D6/315-328; 223/85-98; 211/1, 10,
211/13.1, 85.3, 87.01, 113; 248/322, 339,
248/340, 692; D8/367
CPC A47G 25/32; A47G 25/28; A47G 25/442;
A47G 25/20; A47G 25/24; A47G 25/1421;
A47G 25/1428; A47G 25/06; A47G 25/52;
A47G 25/38; A47G 25/50; A47G 25/183;
A47G 25/70; A47G 25/0607; A47G
2025/448; A47G 25/1414; A47G 25/0678;
A47G 25/44; A47F 7/19; A47F 5/01; A47F
5/13

See application file for complete search history.

(56) **References Cited**
U.S. PATENT DOCUMENTS
D26,791 S * 3/1897 Hirsh D6/323
D229,810 S * 1/1974 Searington D6/326
D331,425 S * 12/1992 Rhyne D20/42
D366,366 S * 1/1996 Restaino D6/315

D382,431 S * 8/1997 Parra D6/546
6,299,039 B1 * 10/2001 Hsu A47F 5/0006
223/85
8,651,344 B2 * 2/2014 Norman A47G 25/005
223/87
D718,962 S * 12/2014 Brett D6/682.1
2002/0104858 A1 * 8/2002 Woodworth A47G 25/483
223/85
2013/0015215 A1 * 1/2013 Coote A47G 25/005
223/85
2014/0097213 A1 * 4/2014 Jensen A47G 25/743
223/85

* cited by examiner

Primary Examiner — Derrick Holland

Assistant Examiner — Lauren Calve

(74) *Attorney, Agent, or Firm* — Renner, Otto, Boisselle & Sklar, LLP

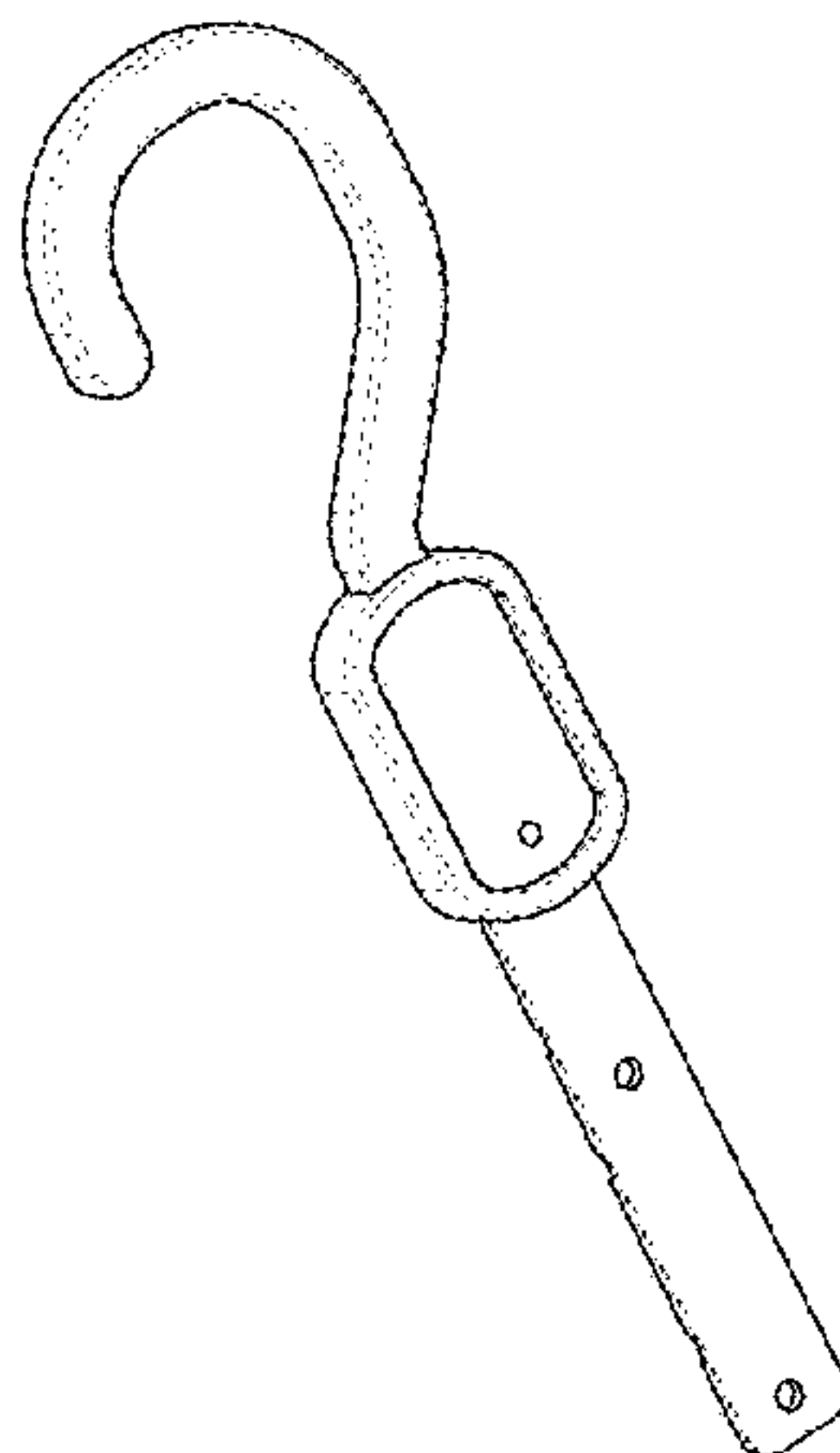
(57) **CLAIM**

The ornamental design for a clothes hanger, as shown and described.

DESCRIPTION

FIG. 1 is a front perspective view of a clothes hanger showing my design.
FIG. 2 is a rear perspective view thereof.
FIG. 3 is a left side view thereof.
FIG. 4 is a front view thereof.
FIG. 5 is a right side view thereof.
FIG. 6 is a rear view thereof.
FIG. 7 is a top view thereof; and,
FIG. 8 is a bottom view thereof.

1 Claim, 3 Drawing Sheets



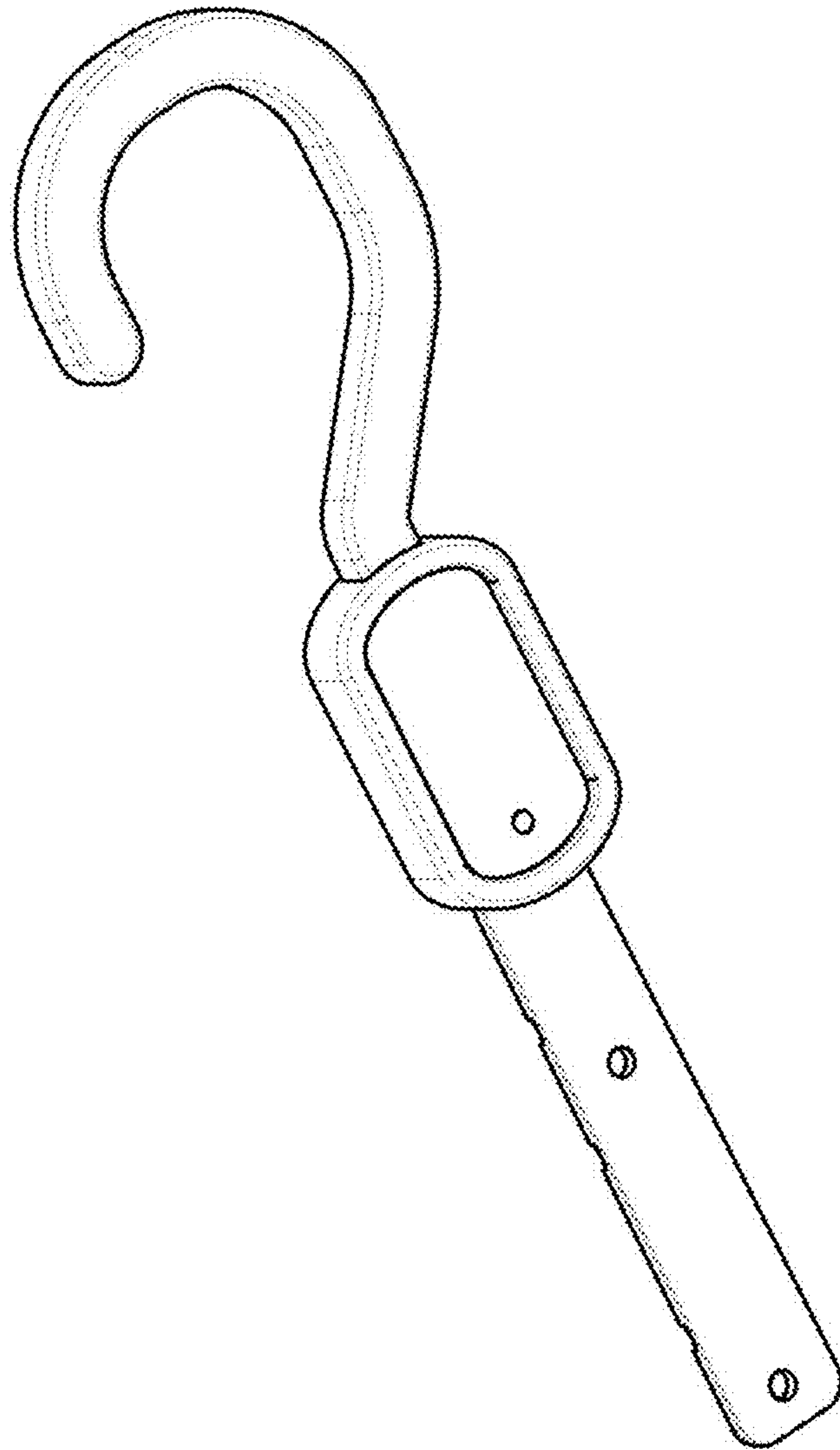


FIG. 1

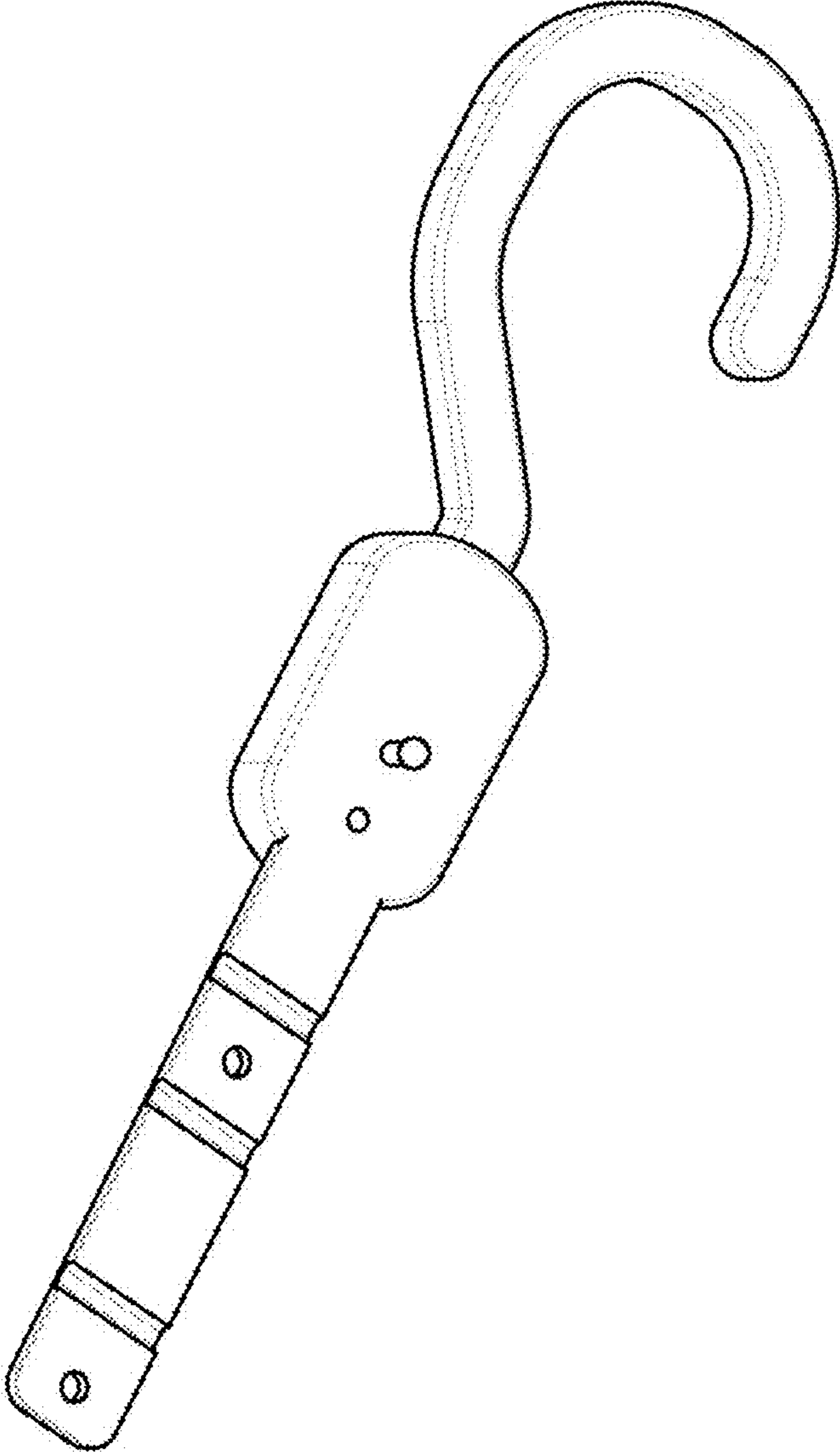


FIG. 2

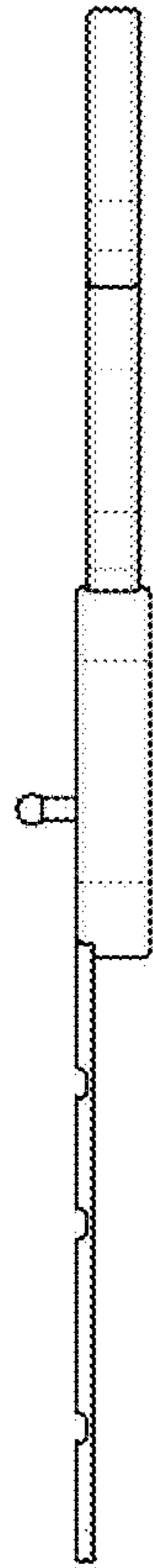


FIG. 3

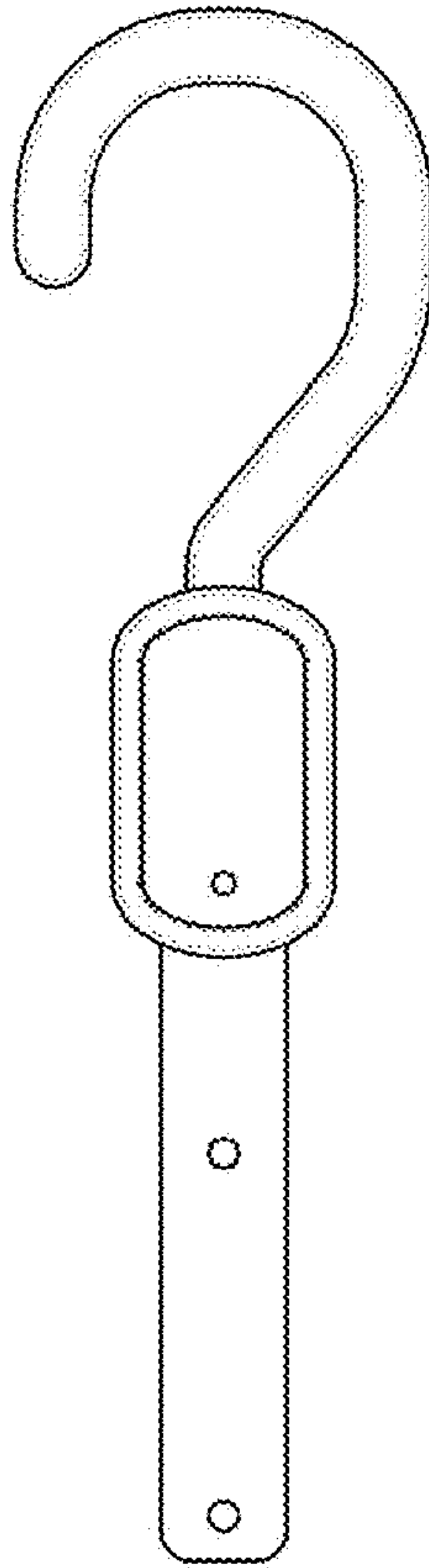


FIG. 4

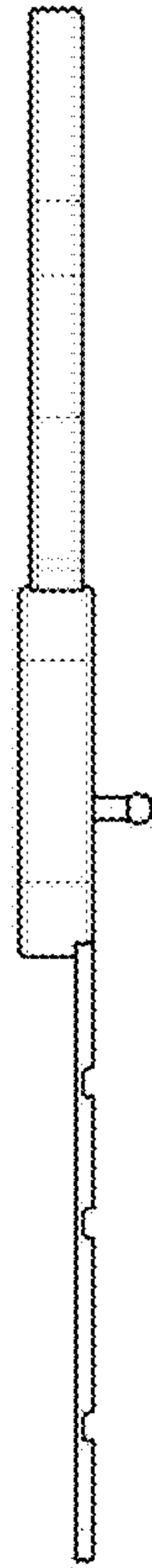


FIG. 5

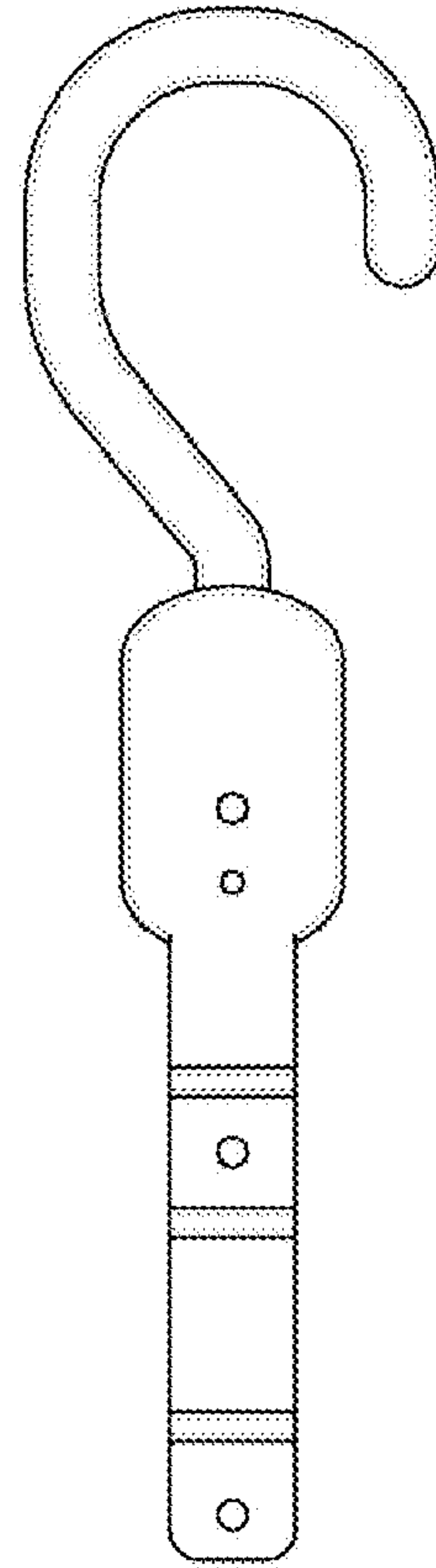


FIG. 6

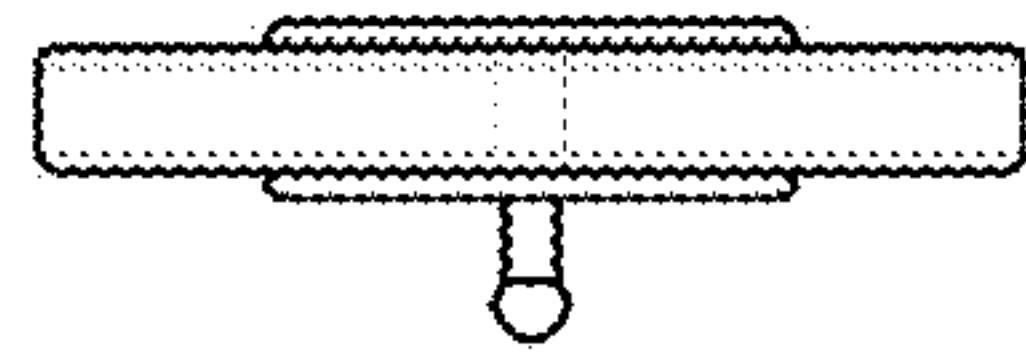


FIG. 7

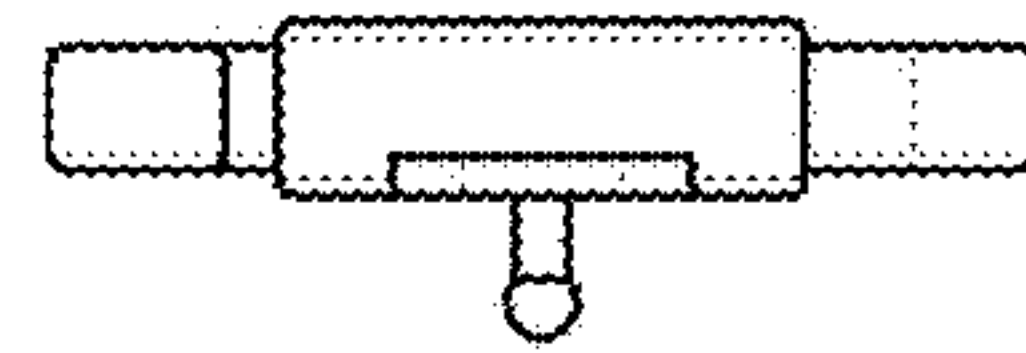


FIG. 8